

**4475 and 5575
Skid-Steer
Loaders**
(Serial No. 010001 –)

**OPERATOR'S
MANUAL**

**John Deere
Lawn & Grounds Care Division
OMM123792 B5**

Export Version
Litho in U.S.A
English

INTRODUCTION

READ THIS MANUAL carefully to learn how to operate and service your machine correctly. Failure to do so could result in personal injury or equipment damage. This manual and safety signs on your machine may also be available in other languages (see your John Deere dealer to order).

THIS MANUAL SHOULD BE CONSIDERED a permanent part of your machine and should remain with the machine when you sell it.

MEASUREMENTS in this manual are given in both metric and customary U.S. unit equivalents. Use only correct replacement parts and fasteners. Metric and inch fasteners may require a specific metric or inch wrench.

RIGHT-HAND AND LEFT-HAND sides are determined by facing the direction of forward travel.

BEFORE DELIVERING THIS MACHINE, your dealer performed a predelivery inspection to ensure best performance.

THIS SKID STEER LOADER IS DESIGNED SOLELY for use in customary agricultural and forestry operations, for park and amenity area maintenance, and for winter work or similar operation (“INTENDED USE”). Use in any other way is considered as contrary to the intended use.

The manufacturer accepts no liability for damage or injury resulting from this misuse, and these risks must be borne solely by the user. Compliance with and strict adherence to the conditions of operation, service and repair as specified by the manufacturer also constitute essential elements for the intended use.

INTRODUCTION

THIS SKID STEER LOADER SHOULD BE OPERATED, serviced and repaired only by persons familiar with all its particular characteristics and acquainted with the relevant safety rules (accident prevention). The accident prevention regulations, all other generally recognized regulations on safety and occupational medicine and the road traffic regulations must be observed at all times.

Any arbitrary modifications carried out on this skid steer loader will relieve the manufacturer of all liability for any resulting damage or injury.

Date of Purchase: _____

Dealer Name: _____	Phone: _____
------------------------------	------------------------



Model 4475

<https://www.ebooklibonline.com>

Hello dear friend!

Thank you very much for reading.

Enter the link into your browser.

The full manual is available for immediate download.

<https://www.ebooklibonline.com>

INTRODUCTION

WRITE PRODUCT IDENTIFICATION NUMBERS (P.I.N.) in the space provided below. Accurately record all the numbers to help in tracing the machine should it be stolen. Your dealer also needs these numbers when you order parts. File the identification numbers in a secure place off the machine.

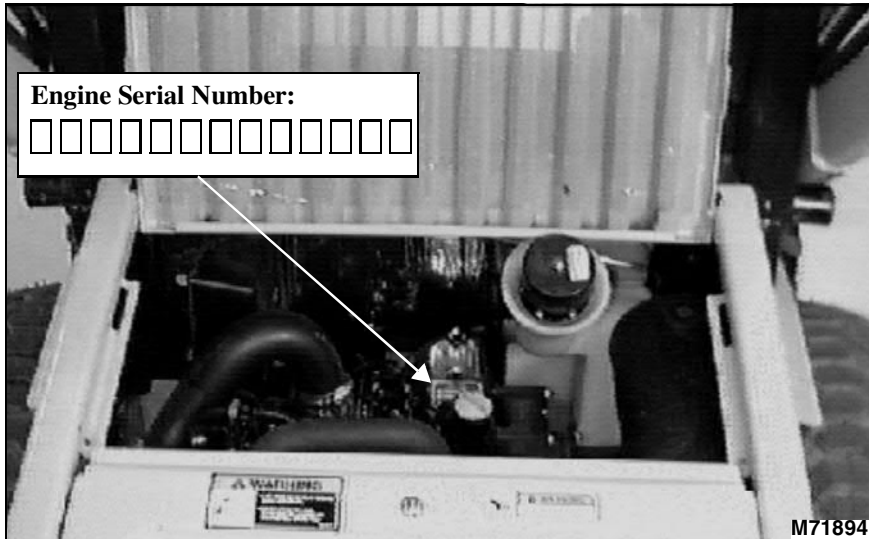
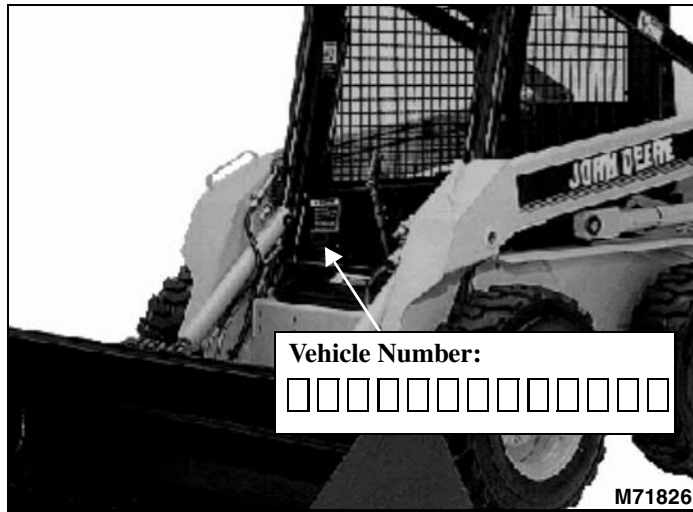


TABLE OF CONTENTS

	Page
Safety	
Pictorial Safety Signs.....	1
Machine Safety Labels	1
Controls	
Hand Controls.....	5
Foot Controls	6
Overhead Panel Controls	6
Operating	
Safety:	
Operator Training Required.....	8
Use Seat Belt Properly	8
Use Handholds and Steps	8
Operate Safely.....	9
Protect Children and Prevent	
Accidents	10
Keep Riders Off	10
Avoid Tipping	11
Park Safely	11
Wear Appropriate Clothing	12
Check Wheel Bolts	12
Transport Safely	12
Adjustments:	
Seat	13
Driving:	
Entering and Exiting Loader	14
Using Fuel Shut-off Valve	15
Using the Park Brake.....	15
Using Service/Run Switch	15
Using Electronic Instrument Monitor (EIM)	16
Using Select Switches	22
Using Cold Start Button	24
Starting the Engine	25
Stopping the Engine	28
Using Drive Controls.....	29

TABLE OF CONTENTS

	Page
Operating (Continued)	
Using Auxiliary Boom Hydraulic Control Lever (5575)	30
Using Boom Pedal	31
Using Bucket Pedal.....	32
Using Boom Stops	33
Using Emergency Exit.....	33
Using “Quick-Attach” Attachment Mounting System	34
Operating Tips:	
Filling the Bucket.....	36
Digging	37
Dumping the Bucket.....	38
Returning the Bucket to the Loading Position	38
Bulldozing with the Bucket	39
Dislodging the Machine.....	39
Transporting Loaded Bucket	40
Job Layout.....	40
Daily Operating Checklist.....	41
Testing Safety Systems	41
Craning the Skid Steer Loader.....	44
Replacement Parts	
John Deere quality service parts.....	45
Service Machine Safely	
Practice Safe Maintenance	46
Wear Appropriate Clothing.....	47
Handling Waste Product and Chemicals.....	47
Avoid High Pressure Fluids.....	48
Cab Tilting Tool Kit.....	48
Service Interval Chart	
Hourly Interval.....	49

TABLE OF CONTENTS

	Page
Service - Lubrication	
Grease	53
Lubricating Axles	53
Lubricate Boom and Cylinders.....	54
Lubricate Mounting Plate Latches and Cylinders	54
Service - Engine	
Engine Oil	55
Cleaning Radiator and Oil Cooler Fins	58
Replacing Primary Air Cleaner Element	59
Replacing Secondary Air Cleaner Element	60
Service Cooling System Safely.....	61
Engine Coolant	61
Checking Coolant Level.....	62
Draining Cooling System	63
Flushing Cooling System	64
Checking and Adjusting Fan Belt.....	66
Replacing In-Line Fuel Filter.....	67
Adjusting Throttle Control	67
Service - Transmission and Hydraulics	
Transmission and Hydraulic Oil	69
Checking Hydraulic Reservoir Oil Level	69
Cleaning Reservoir Cap and Breather.....	70
Changing Hydraulic Oil Filter	71
Changing Hydraulic Oil	71
Adjusting Neutral Creep.....	73
Service - Final Drive	
Oil	75
Lubricating Final Drive (2).....	75
Adjusting Final Drive Chain	75
Final Drive Chain Routing.....	76

TABLE OF CONTENTS

	Page
Service - Steering, Brakes, and Pedals	
Oil.....	77
Lubricate Steering, Foot Controls, Parking Brake Linkages and Neutralizer Plate	77
Adjusting Control Levers (Parallel).....	78
Adjusting Control Lever Stops.....	79
Adjusting Park Brake.....	80
Adjusting Boom and Bucket Foot Pedals.....	81
Adjusting Auxiliary Boom Hydraulic Control Lever Linkage (5575)	81
Service - Electrical	
Cleaning or Replacing Battery	83
Checking Battery Electrolyte Level	85
Charging the Battery	87
Charging Rates	89
Using Booster Battery	90
Replacing Fuses	91
Replacing EIM Panel Light Bulb	92
Replacing Bulbs (5575).....	92
Service - Miscellaneous	
Checking Tire Pressure.....	93
Adjusting Loader Boom Pads.....	94
Opening Rear Service Door	95
Opening Engine Cover.....	95
Removing Engine Side Panels.....	96
Removing Belly Pan.....	96
Refueling Machine	97
Raising and Blocking Loader	99
Troubleshooting	
Using Troubleshooting Chart	100
Electronic Instrument Monitor (EIM).....	100
Hydraulic System	103
Engine	105
Electrical.....	107

TABLE OF CONTENTS

	Page
Storing Vehicle	
Storing Safety	109
Preparing Engine For Storage	109
Storing the Loader	109
Removing The Vehicle From Storage.....	110
Specifications	
Engine.....	111
Fuel System.....	112
Electrical System	112
Capacities	112
Hydraulic System.....	113
Hydrostatic Transmission	113
Ground Speed	113
Dimensions	114
Tires.....	115
Recommended Lubricants.....	115
Buckets.....	116
Metric Bolt and Cap Screw Torque Values.....	117
Unified Inch Bolt and Cap Screw Torque Values.....	120

All information, illustrations and specifications in this manual are based on the latest information at the time of publication. The right is reserved to make changes at any time without notice.

COPYRIGHT© 1995
John Deere Horicon Works
All rights reserved
Previous Editions
COPYRIGHT© 1994

NOTES

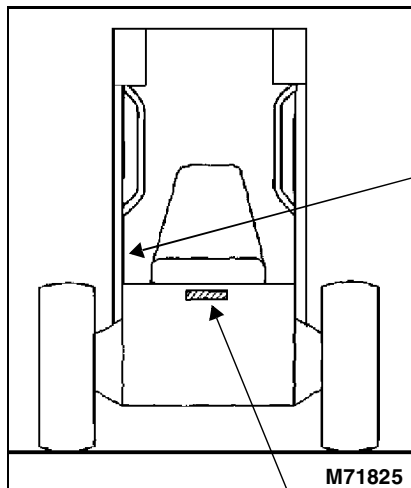
SAFETY SIGNS

Pictorial Safety Signs

At several important places on this machine safety signs are affixed intended to signify potential danger. The hazard is identified by a pictorial in a warning triangle. An adjacent pictorial provides information how to avoid personal injury. These safety signs, their placement on the machine and a brief explanatory text are shown in this Safety Signs section.



Machine Safety Labels



AVOID INJURY

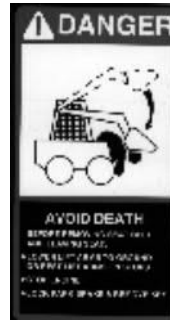
- Read Operator's Manual
- Know location and function of controls
- Keep safety devices working
- Keep screen and windows in place.
- Keep children and others away
- Never carry riders
- Lower lift arms, engage park brake, stop engine and remove key before leaving
- Keep cab clean, especially pedal area

AVOID DEATH

- Lift arm stops must be engaged
- Opening lines for service or part failure can cause lift arms to drop



SAFETY SIGNS



AVOID DEATH

Before removing seat belt and leaving seat:

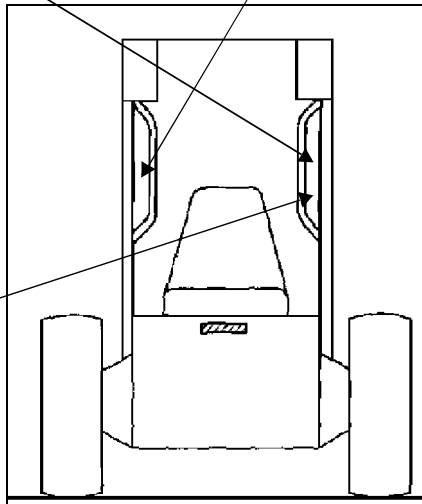
- Lower lift arms to ground or rest lift arms on stops
- Stop engine
- Lock park brake & remove key



AVOID OVERTURN

- Carry load low
- Avoid steep slopes and high speed turns
- Never carry more than 1250 lbs. (570 kg.)

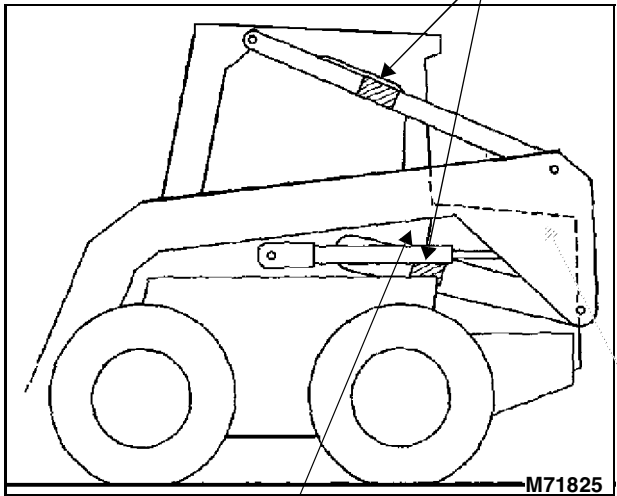
Decal for Model 4475 shown.



M71825

SAFETY SIGNS

PINCH AREA
Keep away





Use only proper cab jack kit to tilt cab.

Read cab jack kit use instructions before tilting cab.

Remove cab hardware only after cab jack is installed.

Failure to do so may cause cab to fall causing serious injury or death.



Appears on lower cab post



AVOID AN EXPLOSION

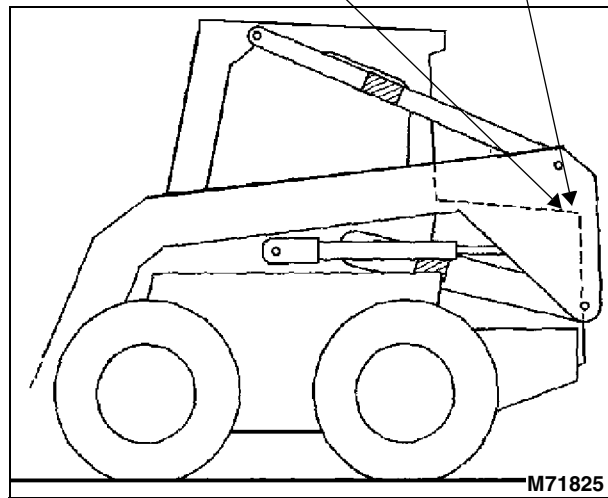
- See operator's manual
- Do not use starting fluid
- Air electric heater may ignite fluid

Appears on air cleaner canister inside engine compartment

SAFETY SIGNS

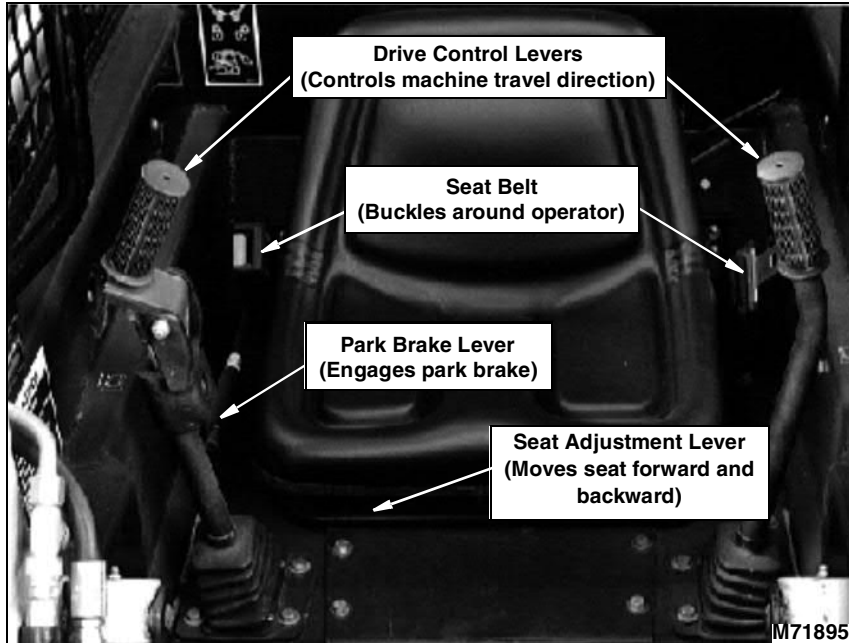


- Lift arms move near engine hood and frame
- Never stand or lean anywhere on loader or linkage will crush you

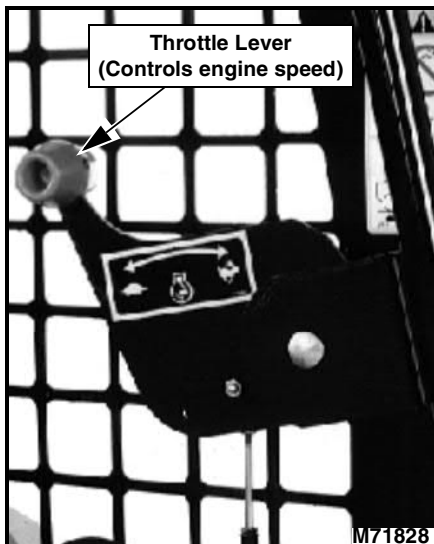


CONTROLS

Hand Controls

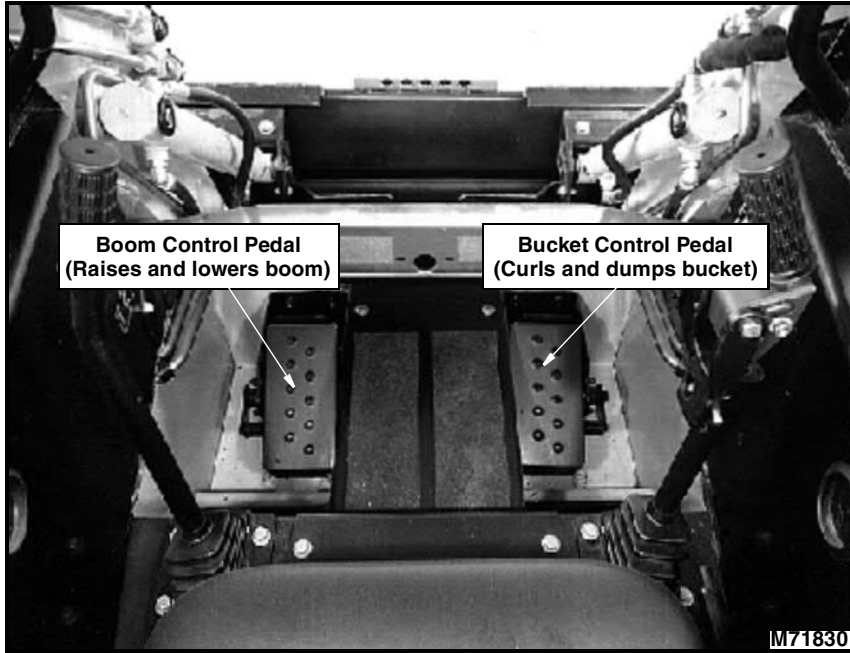


(Model 4475 shown with Optional Auxiliary Boom Hydraulic Control Lever installed.)

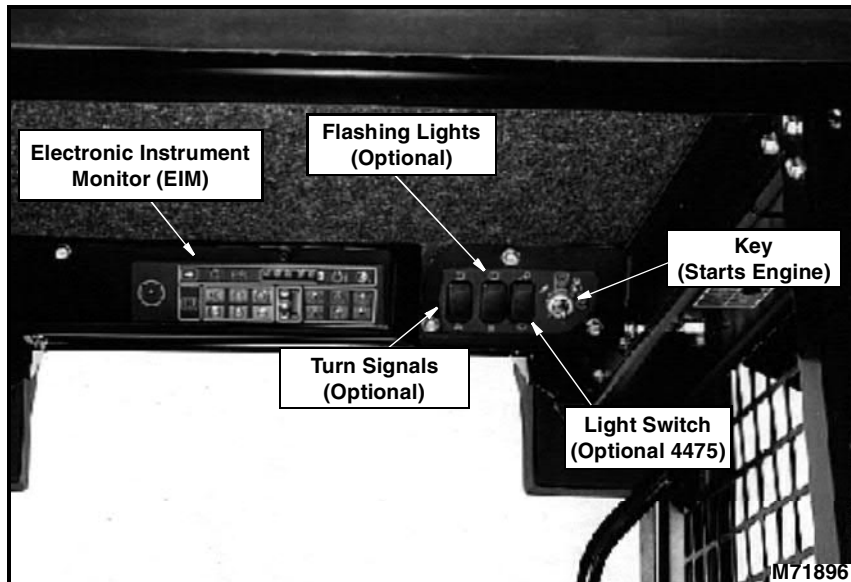


CONTROLS

Foot Controls

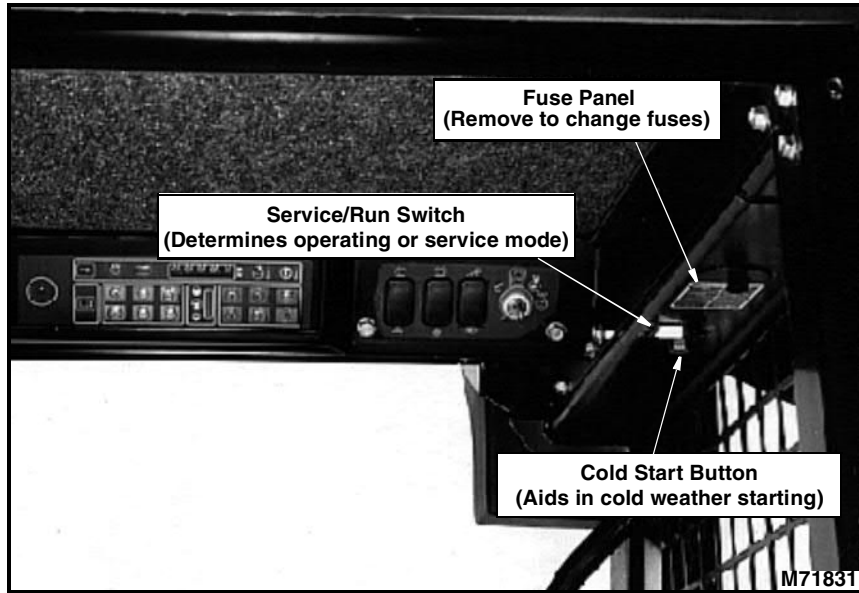


Overhead Panel Controls



CONTROLS

Overhead Panel Controls (Continued)



OPERATING

SAFETY

Operator Training Required



- Study operation section of this manual before operating the machine. Know location and function of controls.
- Operate machine in an open, unobstructed area under the direction of an experienced operator.
- Learn the use of all controls.
- Operator experience is required to learn the moving, stopping, turning and other operating characteristics of the machine.

Use Seat Belt Properly



- Use a seat belt when you operate with a roll-over protective structure (ROPS) or cab to minimize chance of injury from an accident such as an overturn.
- DO NOT operate loader from anywhere but the operator's seat with seat belt fastened.

Use Handholds and Steps



- Maintain a three-point contact with steps and handholds and face machine when getting on or off machine. Do not use controls as handholds.
- Do not jump on or off machine or get off a moving machine.
- Be careful of slippery platforms, steps, and handholds. Keep platforms, steps, and handholds clean and free of debris.



Suggest:

If the above button click is invalid.

Please download this document

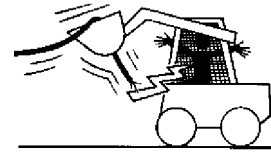
first, and then click the above link

to download the complete manual.

Thank you so much for reading

OPERATING

Operate Safely



- DO NOT work under overhangs, electric wires, or where there is danger of a slide.
- Check brake action before you operate. Adjust or service brakes as necessary.
- Never use starting fluid to start engine. This machine has an air electric heater which can ignite starting fluid.
- Keep people and pets out of the work area. Stop machine if anyone enters the area.
- If you hit an object, stop the machine and inspect machine for damage. Make repairs before you operate again. Keep machine and attachments properly maintained and in good working order. Keep all shields and guards in place. Keep screens and windows in place.
- DO NOT leave machine unattended when it is running.
- Only operate during daylight or with good artificial light.
- Be careful of traffic when operating near or crossing roadways.
- If engine stops during operation, lock park brake immediately to keep machine from rolling. Then start engine.
- DO NOT reach out of cab, boom is lowered and raised during operation and can cause injury.
- DO NOT use a bucket or attachment as a work platform or for carrying people.
- DO NOT move loads over the heads of other people.
- Keep cab clean and clear of debris, especially area around pedals.



<https://www.ebooklibonline.com>

Hello dear friend!

Thank you very much for reading.

Enter the link into your browser.

The full manual is available for immediate download.

<https://www.ebooklibonline.com>