

# 4435 HYDRO COMBINE



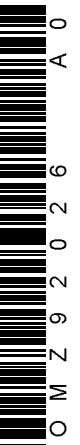
JOHN DEERE

## OPERATORS MANUAL 4435 HYDRO COMBINE

OMZ92026 A0 English

JOHN DEERE WERKE ZWEIBRUCKEN  
OMZ92026 A0

LITHO IN THE U.S.A.  
ENGLISH



# Introduction

READ THIS MANUAL CAREFULLY to learn how to operate and service your machine correctly. Failure to do so could result in personal injury or equipment damage.



**This safety alert symbol identifies all the important safety messages in this manual. When you see this symbol, be alert to the possibility of personal injury and carefully read the message that follows.**

THIS MANUAL SHOULD BE CONSIDERED a permanent part of your machine and should remain with the machine when you sell it.

ALL MEASUREMENTS in this manual are given in SI metric units followed immediately by the U.S. customary units.

RIGHT-HAND AND LEFT-HAND SIDES are determined by facing in the direction the combine will travel when in use.

WRITE PRODUCT IDENTIFICATION NUMBERS in the Identification Numbers section. Accurately record all the numbers to help in tracing the machine should it be stolen. Your dealer also needs these numbers when you order parts. If this manual is kept on the machine, also file the identification numbers in a secure place off the machine.

WARRANTY is provided as part of John Deere's support program for customers who operate and maintain their equipment as described in this manual. The warranty is explained on the warranty certificate which you should have received from your dealer.

This warranty provides you the assurance that John Deere will back its products where defects appear within the warranty period. In some circumstances, John Deere also provides field improvements, often without charge to the customer, even if the product is out of warranty. Should the equipment be abused, or modified to change its performance beyond the original factory specifications, the warranty will become void and field improvements may be denied. Setting fuel delivery above specifications or otherwise overpowering machines will result in such action.

THE TIRE MANUFACTURER'S warranty supplied with your machine may not apply outside the U.S. and Canada.

*All information, illustrations, and specifications contained in this operator's manual are based on the latest information available at the time of publication. The right is reserved to make changes at any time without notice.*

COPYRIGHT © 1990 DEERE & COMPANY  
European Office Mannheim  
All rights reserved  
A John Deere ILLUSTRATION™ Manual

# Contents

<b>IDENTIFICATION VIEWS</b> .....	<b>00-5</b>	<b>COMBINE OPERATION AND FIELD ADJUSTMENTS</b> .....	<b>20-</b>
<b>SAFETY RULES</b> .....	<b>05-</b>	Pre-starting checks .....	20-1
- General .....	05-1	- Daily checks on combine .....	20-1
- Operation .....	05-4	- Engine oil .....	20-1
- Service .....	05-9	- Coolant .....	20-1
- Warning decals .....	05-14	- Hydraulic oil .....	20-1
<b>CONTROLS AND INSTRUMENTS</b> .....	<b>10-</b>	- Hydrostatic oil .....	20-2
- Miscellaneous controls .....	10-1	- Fuel .....	20-2
- Operator's platform - controls .....	10-2	- Fire extinguisher .....	20-4
- Controls and instruments .....	10-4	Operating the engine .....	20-5
- Concave clearance indicator .....	10-6	- Starting the engine .....	20-5
- Grain tank sample flap .....	10-6	- Stopping the engine .....	20-9
- Instruments in corner post .....	10-7	- Cold weather operation .....	20-11
- Multi-tachometer .....	10-8	- Starting aids .....	20-12
Operator's platform and cab .....	10-9	- Operating in tropical conditions .....	20-13
- Access ladder .....	10-9	Break-in period .....	20-14
- Adjusting steering column .....	10-10	- Engine .....	20-14
- Operator's seat .....	10-10	- Combine .....	20-15
- Operator's cab .....	10-12	Driving the combine .....	20-16
- Operator's cab controls .....	10-13	- Steering and driving .....	20-16
- Air conditioning system .....	10-13	- Operating foot brakes .....	20-17
- Heater .....	10-14	- Operating the clutch and engaging a gear .....	20-17
- Fan .....	10-14	Transporting the combine .....	20-20
- Windshield wiper .....	10-14	- Under own power .....	20-20
- Air louvers .....	10-15	- On truck trailer or rail car .....	20-21
- Radio .....	10-16	- Towing the combine .....	20-22
Lighting system and signals .....	10-18	Header adjustments .....	20-23
- Main switch .....	10-18	- Header drive .....	20-24
- Light switch .....	10-18	- Hydraulic reverser .....	20-24
- Headlights .....	10-19	- Height control .....	20-25
- Turn signal and warning lights .....	10-19	- Header pressure gauge .....	20-27
- Horn .....	10-21	- Reel adjustment .....	20-27
- Work lights .....	10-21	Combine field adjustments .....	20-29
<b>WARNING DEVICES AND MONITORS</b> .....	<b>15-</b>	- Separator drive .....	20-29
- Optical warning devices .....	15-1	- Cylinder speed .....	20-29
- Low shaft speed monitors .....	15-4	- Concave clearance .....	20-30
- HARVESTRAK combine monitor .....	15-5	- Fan speed .....	20-31
		- Chaffer extension .....	20-32
		- Chaffer and grain sieves .....	20-33
		- Straw warning devices .....	20-34
		Grain tank and unloading auger .....	20-35
		- Grain tank .....	20-35
		- Unloading auger .....	20-36
		- Leveling auger .....	20-37

**<https://www.ebooklibonline.com>**

Hello dear friend!

Thank you very much for reading.

Enter the link into your browser.

The full manual is available for immediate download.

**<https://www.ebooklibonline.com>**

*Contents*

<b>OPERATION AND FIELD ADJUSTMENTS – ADDITIONAL EQUIPMENT</b> .....	<b>25-</b>	<b>SERVICE – ENGINE</b> .....	<b>40-</b>
Ballast weights and straw spreader .....	25-1	Engine .....	40-1
Straw chopper .....	25-2	– Access to engine .....	40-1
– Engaging straw chopper .....	25-2	– Engine compartment .....	40-2
– Straw distributor .....	25-3	– Oil level .....	40-3
– Adjusting length of cut .....	25-4	– Filter element .....	40-4
– Disengaging straw chopper .....	25-4	Fuel system .....	40-5
– When driving on public roads .....	25-6	– Fuel tank .....	40-5
Front and rear axle .....	25-7	– Fuel transfer pump .....	40-6
		– Water trap .....	40-7
		– Fuel filter .....	40-8
		– Fuel injection nozzles .....	40-9
		– Bleeding the fuel system .....	40-10
<b>HARVESTRAK COMBINE MONITOR</b> .....	<b>26-</b>	– Adjusting engine speeds .....	40-12
– General information .....	26-1	Cooling system .....	40-13
– Position and basic function .....	26-1	– Radiator and rotary screen .....	40-13
– Control panel – components .....	26-3	– Engine coolant .....	40-15
– Grain size adjustment .....	26-3	– Flushing the cooling system .....	40-16
– Sensor selection .....	26-4	– Water pump and fan drive .....	40-17
– Adjustments .....	26-4	Air intake system .....	40-18
– Operational check .....	26-6	– Pre-cleaner .....	40-18
		– Dust ejector unit .....	40-18
		– Dry-type air cleaner .....	40-19
		– Air intake lines .....	40-23
<b>FUEL, LUBRICANTS, HYDRAULIC OIL, COOLANT AND CAPACITIES</b> .....	<b>30-</b>	<b>SERVICE – AIR CONDITIONING SYSTEM, ELECTRICAL SYSTEM, HARVESTRAK COMBINE MONITOR AND HYDRAULIC SYSTEM</b> .....	<b>45-</b>
– Fuel .....	30-1	Air conditioning system .....	45-1
– Engine oil .....	30-2	– Compressor .....	45-1
– Engine coolant .....	30-3	– Refrigerant level .....	45-1
– Transmission oil .....	30-4	– Condenser .....	45-2
– Hydraulic oil .....	30-6	– Pre-cleaner screens .....	45-3
– Lubricants .....	30-7	– Paper filter element .....	45-3
		– Recirculating filter .....	45-4
		– Cleaning filter elements .....	45-4
		– Condensed water hoses .....	45-6
		– Evaporator and heater .....	45-6
<b>LUBRICATING POINTS AND PERIODIC SERVICES, V-BELTS AND CHAINS</b> .....	<b>35-</b>	Electrical system and lighting .....	45-7
Lubricating points .....	35-1	– Batteries .....	45-7
Periodic services .....	35-4	– Alternator .....	45-11
– After the first 10 hours of operation .....	35-4	– Starting motor .....	45-11
– Every 10 operating hours .....	35-5	– Fuse and relay box .....	45-13
– After the first 100 operating hours .....	35-6	– Fuse and relay, air conditioning system .....	45-15
– Every 200 operating hours .....	35-7	– Replacing bulbs .....	45-16
– Every 400 operating hours .....	35-8	HARVESTRAK combine monitor .....	45-20
– After the harvesting season .....	35-9	Hydraulic system .....	45-21
– Every 800 operating hours .....	35-10	– Hydraulic pump .....	45-22
– Every 1200 operating hours .....	35-10	– Hydrostatic reel drive .....	45-24
Service – V-belts and chains .....	35-11		
– V-belts .....	35-11		
– Chains .....	35-11		
Service – Opening side guards and inspection covers .....	35-13		

## Contents

<b>SERVICE – POWER TRAIN</b> .....	<b>50-</b>	<b>SERVICE – OPTIONAL EQUIPMENT</b> .....	<b>60-</b>
Brake oil reservoir .....	50-1	Straw chopper .....	60-1
– Adjusting foot brakes .....	50-1	– Replacement of rotating knives .....	60-1
– Adjusting parking brake .....	50-2	– Replacement of counter knives .....	60-1
Adjusting gear shift lever .....	50-3	– Drive belt .....	60-1
Hydrostatic drive .....	50-4	Straw spreader .....	60-3
– Hydrostatic drive oil cooler .....	50-4		
– Hydrostatic drive oil and filter change .....	50-4		
Transmission, axles and wheels .....	50-5	<b>SERVICE – REPLACING DRIVE BELTS</b> .....	<b>65-</b>
– Transmission .....	50-5	– General information .....	65-1
– Final drives .....	50-5	– Posi-Torq drive belts .....	65-1
– Front axle .....	50-5	– Separator drive belt .....	65-2
– Rear axle .....	50-6	– Fan drive belt .....	65-3
– Tires .....	50-7	– Feeder house drive belt .....	65-4
– Wheel bolts .....	50-8	– Straw chopper drive belt .....	65-5
		– Cylinder variable drive belt .....	65-6
<b>SERVICE – FEEDER HOUSE, SEPARATOR AND CLEANING SHOE</b> .....	<b>55-</b>	<b>TROUBLESHOOTING</b> .....	<b>70-</b>
Feeder house .....	55-1	– General .....	70-1
– Feeder conveyor chain tension .....	55-1	– Feeder house .....	70-1
– Feeder conveyor drum .....	55-2	– Separator .....	70-2
– Slip clutch on upper feeder shaft .....	55-2	– Propulsion system .....	70-5
– Feeder conveyor drive .....	55-3	– Steering .....	70-6
– Header drive .....	55-4	– Brakes .....	70-6
– Hydraulic reverser .....	55-6	– Engine .....	70-7
Separator .....	55-7	– Pressurizer fan .....	70-10
– Inspection covers .....	55-7	– Heater .....	70-10
– Stone trap .....	55-7	– Air conditioner .....	70-11
– Cleaning grain pan .....	55-8	– Low shaft speed monitor system .....	70-13
– Cylinder rasp bars .....	55-9	– HARVESTRAK combine monitor .....	70-13
– Turning cylinder .....	55-10		
– Separator drive .....	55-10		
– Concave settings .....	55-12		
– Concave adjustments .....	55-13		
Cleaning shoe .....	55-15		
– Curtain .....	55-15		
– Straw walkers .....	55-15		
– Straw walker bearings .....	55-16		
– Straw walker drive .....	55-17		
– Cleaning shoe drive .....	55-17		
– Fan .....	55-18		
– Chaffer and chaffer extension .....	55-19		
– Sieves .....	55-19		
Elevators and augers .....	55-20		
– Elevators .....	55-20		
– Grain elevator drive .....	55-21		
– Elevator slip clutch .....	55-22		
– Tailings elevator drive .....	55-22		
– Elevator augers .....	55-23		
Grain tank .....	55-24		
– Grain tank leveling auger .....	55-24		
– Grain tank unloading auger .....	55-25		
– Unloading auger drive .....	55-25		
– Unloading paddle drive .....	55-27		

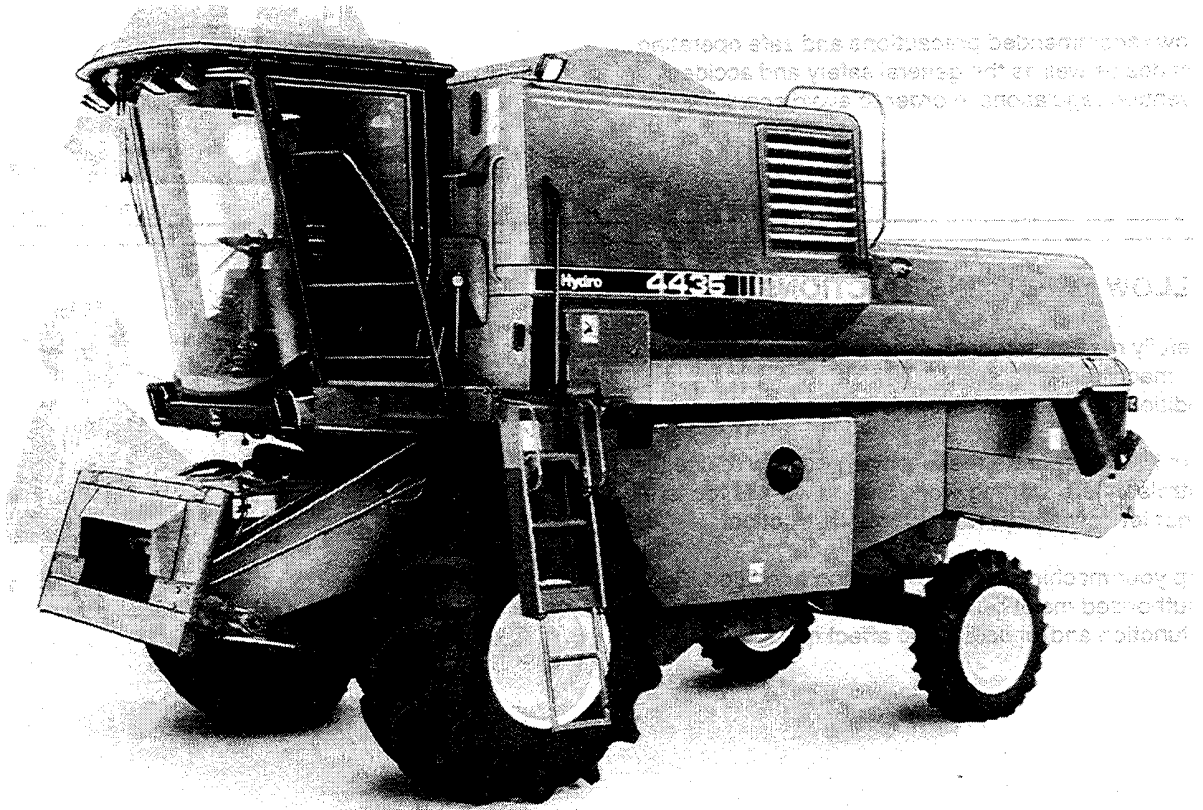
INHOM-4435HYCZE-311089

Contents

<b>STORAGE</b> .....	<b>75-</b>	<b>FUNDAMENTALS OF COMBINE HARVESTING</b> ..	<b>95-</b>
- After the season .....	75-1	- Choice of harvesting time .....	95-1
- Removing combine from storage .....	75-3	- Avoiding grain losses .....	95-1
 		- Header operation .....	95-2
<b>CRIME PREVENTION TIPS</b> .....	<b>80-1</b>	- Feeder house .....	95-2
 		- Threshing cylinder and concave .....	95-3
<b>SPECIFICATIONS</b> .....	<b>85-1</b>	- Crop condition .....	95-3
- Header drive shaft .....	85-1	- Adjusting concave and cylinder speed .....	95-4
- Separator .....	85-2	- Separating process .....	95-5
- Separating unit .....	85-2	- Cleaning process .....	95-6
- Cleaning unit .....	85-3	- Grain transportation .....	95-6
- Grain tank .....	85-4	- Evaluating threshing action .....	95-7
- Tire pressures .....	85-4	- Grain tank sample .....	95-7
- Ground travel speeds .....	85-4	- Checking tailings .....	95-8
- Capacities .....	85-5	- Overthreshing .....	95-9
- Weights .....	85-5	- Underthreshing .....	95-9
- Engine .....	85-6	- Adjusting fan speed .....	95-10
- Dimensions .....	85-7	- Adjusting the chaffer .....	95-10
 		- "Slope Master" system .....	95-11
<b>IDENTIFICATION NUMBERS</b> .....	<b>90-1</b>	- Determining grain losses .....	95-12
		- Prevention of grain losses .....	95-14
		- Combine settings chart .....	95-15
		- Chaffer types .....	95-17
		<b>INDEX</b> .....	<b>100-1</b>

# Identification Views

4435 HYDRO - LEFT-HAND VIEW



Z 116981

Z116981-4435HYAZE-311089

# Safety (General)

## RECOGNIZE SAFETY INFORMATION

This is the safety alert symbol. When you see this symbol on your machine or in this manual, be alert to the potential for personal injury.

Follow recommended precautions and safe operating practices as well as the general safety and accident prevention regulations in order to avoid accidents.



T 81389

T81389-ESPDAE-260188

## FOLLOW SAFETY INSTRUCTIONS

Carefully read all safety messages in this manual and on your machine safety signs. Keep safety signs in good condition. Replace missing or damaged safety signs.

Learn how to operate the machine and how to use the controls before starting work. During work is too late! Do not let anyone operate without instruction.

Keep your machine in proper working condition. Unauthorized modifications to the machine may impair the function and/or safety and affect machine life.



TS201

TS201-ESPDAE-260188

## UNDERSTAND SIGNAL WORDS

A signal word – DANGER, WARNING or CAUTION – is used with the safety alert symbol. DANGER identifies the most serious hazards.

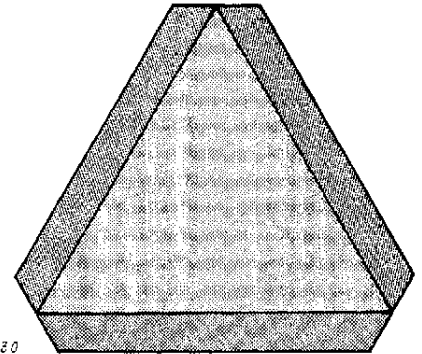
Safety signs with signal words DANGER or WARNING are typically located near specific hazards.

General precautions are listed on the CAUTION safety signs. CAUTION also calls attention to safety messages in this manual.

SIGNAL-ESPDAE-140388

### OBSERVE ROAD TRAFFIC REGULATIONS

Always observe local road traffic regulations when using public roads.



#28930

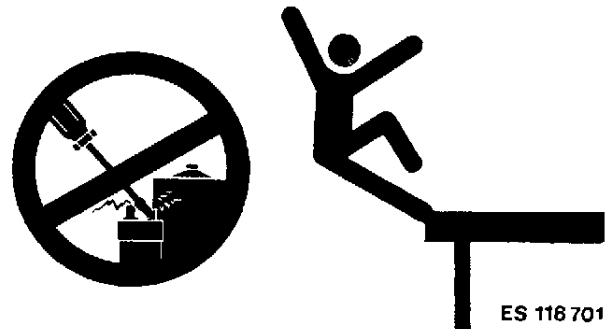
H28930-ESPD AE-160288

### PREVENT MACHINE RUNAWAY

Avoid possible injury or death from a machine runaway.

Do not start the engine by shorting across starter terminals. Machine will start in gear if normal circuitry is bypassed.

NEVER start engine while standing on service platform. Start engine only from operator's seat with transmission in neutral.



ES 116 701

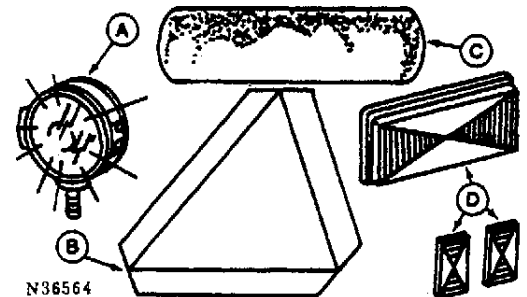
ES118701-ESPD AE-270588

### USE SAFETY LIGHTS AND DEVICES

When transporting your machine on a public road either at night or during the day, use the necessary safety lights. Check local government regulations.

Keep safety items in good condition. Replace missing or damaged items.

- A-Lights
- B-Slow moving vehicle emblem
- C-Reflector tape
- D-Reflectors



N36564

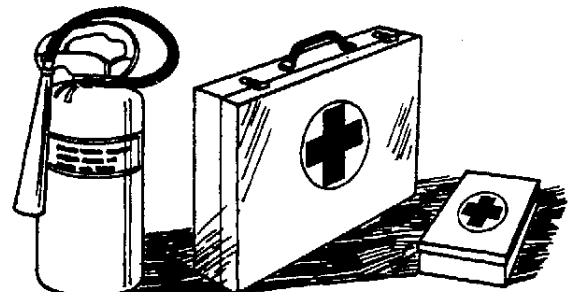
N36564-ESPD AE-260188

### PREPARE FOR EMERGENCIES

Be prepared if a fire starts.

Keep a first aid kit and fire extinguisher handy.

Keep emergency numbers for doctors, ambulance service, hospital and fire department near your telephone.



L 114 052

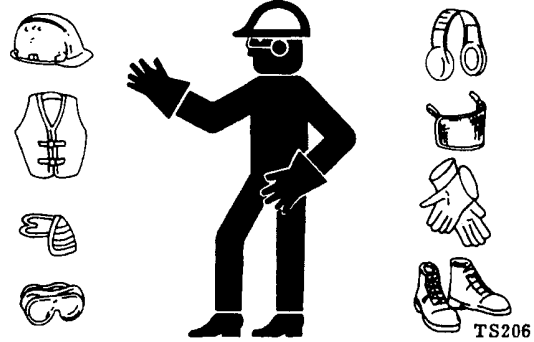
L114052-ESPD AE-170388

### WEAR PROTECTIVE CLOTHING

Wear close fitting clothing and safety equipment appropriate to the job.

Prolonged exposure to loud noise can cause impairment or loss of hearing.

Wear a suitable hearing protective device such as earmuffs or earplugs to protect against objectionable or uncomfortable loud noises.



TS206-ESPD AE-230487

### HANDLE FUEL SAFELY – AVOID FIRES

Handle fuel with care: It is highly flammable. Do not refuel the machine while smoking or when near an open flame or sparks.

Always stop engine and remove key from main switch before refueling machine. Fill fuel tank outdoors.

Prevent fires by keeping machine clean of accumulated trash, grease and debris. Always clean up spilled fuel.



TS202-ESPD AE-260188

### STORE ATTACHMENTS SAFELY

Stored attachments such as crop dividers, headers, etc. can fall and cause serious injury or death.

Securely store attachments and implements to prevent from falling. Keep playing children and bystanders away from storage area.



TS219-ESPD AE-070488

# Safety (Operation)

## CHECK MACHINE SAFETY

Always check the road and general operating safety of the machine before using.

SAFETY-ESPD AE-260188

## DRIVING THE COMBINE

Operate combine only when all guards are fitted and in their correct position.

Before moving away, always check immediate vicinity of machine (e.g. for children). Ensure adequate visibility. Use the horn as a warning immediately before moving away.

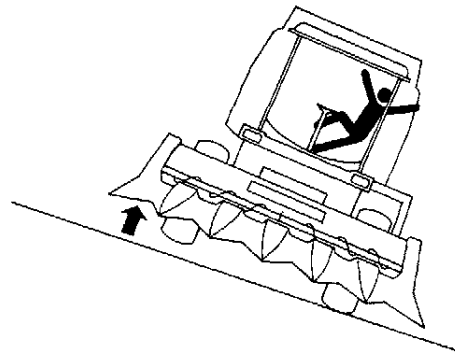
Always adapt your ground speed to meet the ground conditions. Avoid making sharp turns when driving up or down slopes or when driving across the slope. Be extra careful when turning on slopes with a full grain tank. When driving down slopes, never depress clutch and change gear!

Attach harvesting units and other implements to combine with extreme care.

When making turns, always take into consideration the width of the attachment and the fact that the rear end of the combine swings out. Combine attachments and the ground conditions affect the driving characteristics of the combine.

Reduce ground speed when driving combine on slopes or over uneven ground and before making sharp turns. Before descending a steep hill, shift to a lower gear. Never coast downhill!

Avoid holes, ditches and obstructions which may cause the combine to tip, particularly on hillsides.



ES 118 702

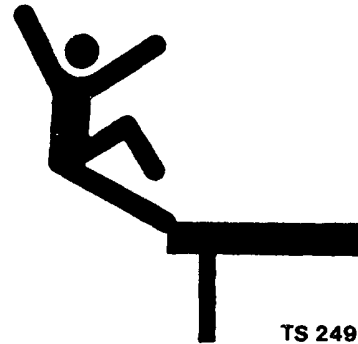
ES118702-ESPD AE-270588

### KEEP RIDERS OFF MACHINE

Only allow the operator on the machine.  
Keep riders off.

Riders are subject to injury such as being thrown off the machine. Riders also obstruct the operator's view resulting in the machine being operated in an unsafe manner.

On machines equipped with a passenger seat, one rider is permitted.



TS 249

TS249-ESPD AE-090289

### STAY CLEAR OF ROTATING DRIVELINES

Entanglement in rotating driveline can cause serious injury or death. When operating, no-one may be allowed to remain in the vicinity of the rotating drive shaft. Always ensure that drive shaft guards are in position.

Wear close-fitting clothing. Stop engine, remove key and be sure the drive shaft has stopped before making adjustments, connections or cleaning out machine.



TS198

TS198-ESPD AE-030588

### STAY CLEAR OF AUGER

The auger located inside grain tank cannot be shielded completely against accidental contact. Use a rod to clear blockages and a scoop or similar vessel to take grain samples. Never use hands or feet. Never enter grain tank when engine is running.



TS 256

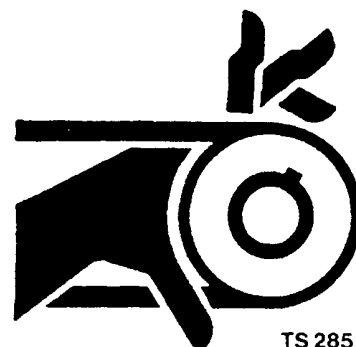
TS256-ESPD AE-270588

### GUARDS AND SHIELDS

Keep guards and shields in place at all times. Ensure that they are serviceable and installed correctly.

Always disengage separator, shut off engine and remove key before removing any guards or shields.

Keep hands, feet and clothing away from moving parts.



TS 285

TS285-ESPD AE-090289

### STAY CLEAR OF HEADER

Mower bar, cutting platform auger, reel, gatherer chain and stalk rolls of the corn head, etc., cannot be completely shielded by constructional measures due to their function. Stay clear of these moving elements during operation! Always disengage header drive, shut off the engine and remove key before servicing or unclogging header.



ES 118 704

ES118704-ESPD AE-270588

### KEEP HANDS AWAY FROM KNIVES

Never attempt to clear obstructions in front of or on header unless separator is disengaged, engine shut off and key removed.

Everyone must be clear of the combine before starting the engine.

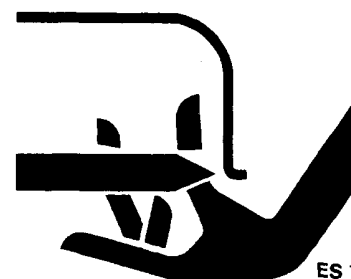


TS 254

TS254-ESPD AE-270588

### STAY CLEAR OF STRAW CHOPPER

The straw chopper has safety guards which surround dangerous rotating blades. The blades may continue to rotate for a short time after drive has been switched off. Stay clear of the straw chopper during operation. Disengage drive, shut off engine, remove key and wait until drive parts have stopped moving prior to servicing the straw chopper.

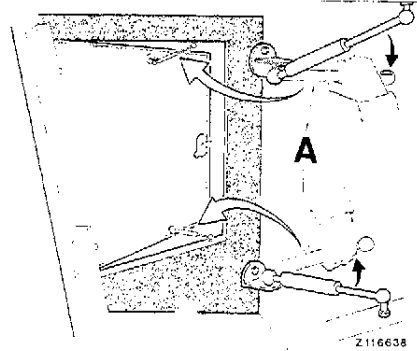


ES 118 705

ES118705-ESPD AE-270588

### EMERGENCY EXIT

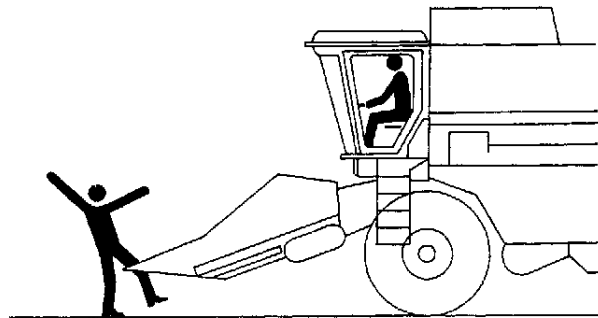
For an emergency exit, cab side window can be opened. Unlatch window, disconnect both the cylinders (A) and push window wide open.



Z116638-ESPD AE-051288

### TRANSPORT WITH HEADER INSTALLED

Before driving combine on public roads, header must be raised. It must not, however, obstruct operator's view of the road. Header height control must be in locked position. Remove crop dividers (if equipped) and install protective cover.



ES 118 706

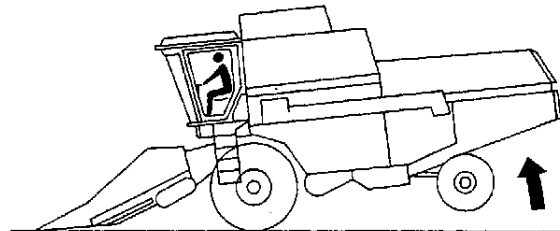
ES118706-ESPD AE-270588

### BALLASTING FOR SAFE GROUND CONTACT

Operating, steering and braking performance of combine can be considerably affected by heavy front end attachments which alter the center of gravity of the combine.

To maintain the necessary ground contact, ballast the combine at the rear end as necessary.

Observe the maximum permissible axle loads and total weights.

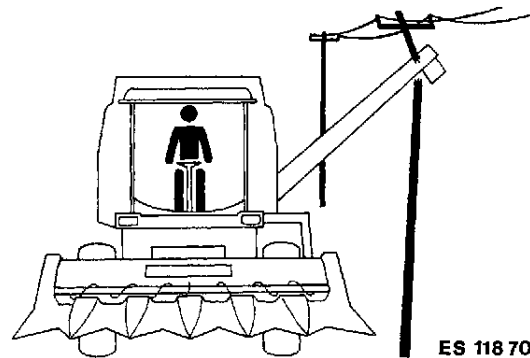


ES 118 707

ES118707-ESPD AE-270588

### SWING IN GRAIN TANK UNLOADING AUGER

Swing in the grain tank unloading auger to its transport position before driving on public roads. Otherwise collisions may occur with roadside installations, e.g. telegraph poles, street lights, etc.

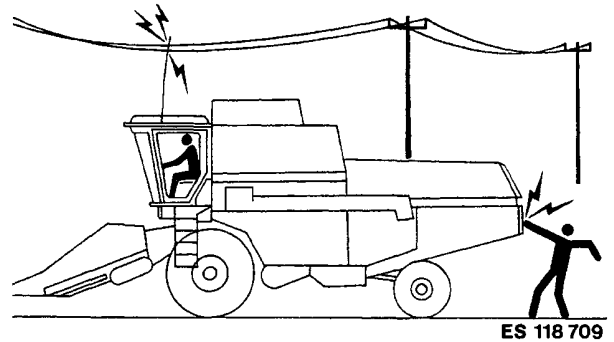


ES 118 708

ES118708-ESPD AE-270588

### RADIO AERIAL

If radio aerial is not secured in its transport position before driving on public roads, it may come into contact with low-hanging electrical cables. This would result in the operator suffering a severe electrical shock.



ES 118 709

ES118709-ESPDAE-270588

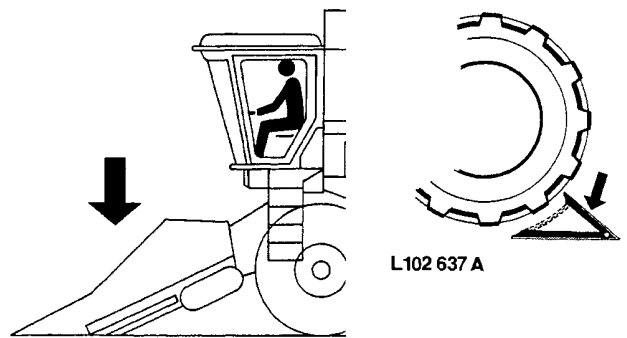
### PARKING AND LEAVING THE COMBINE

Lower headers or other equipment to the ground before leaving the combine.

When leaving the combine, disengage separator/header drive, shut off engine, move gear shift lever to neutral and apply parking brake, remove main switch key and lock the operator's cab (when equipped). Position chock blocks.

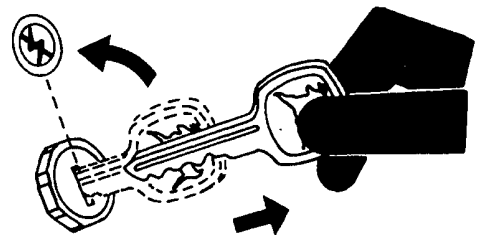
Never leave combine unattended as long as engine is still running.

Never leave the operator's platform/cab when driving.



L102 637 A

ES 118 710



TS 230

ES118710,L102637A,TS230-ESPDAE-270588

### OPERATING THE ENGINE

Never operate the engine in a closed building.  
Danger of asphyxiation!

When starting engine, ensure that all hydraulic controls and transmission are in neutral and separator/header drive is disengaged.



ES 118 711

ES118711-ESPDAE-270588

# Safety (Service)

## PRACTICE SAFE MAINTENANCE

Understand service procedure before doing work. Keep area clean and dry.

Never lubricate or service machine while it is moving. Keep hands, feet and clothing from power-driven parts. Disengage all power and operate the controls to relieve pressure. Lower equipment to the ground. Stop the engine. Remove the key. Allow machine to cool.

Securely support any machine elements that must be raised for service work.

Keep all parts in good condition and properly installed. Fix damage immediately. Replace worn or broken parts. Remove any buildup of grease, oil or debris.

Disconnect battery ground cable(s) (-) before making adjustments on electrical system or welding on machine.



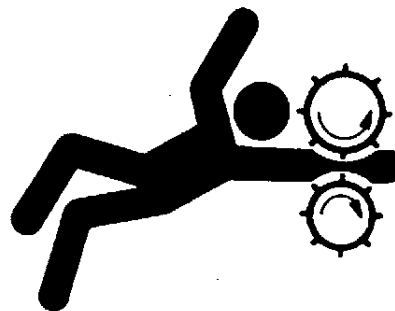
TS218

TS218-ESPD AE-160288

## SERVICE MACHINE SAFELY

Tie long hair behind your head. Do not wear a necktie, scarf, loose clothing or necklace when you work near machine tools or moving parts. If these items were to get caught, severe injury could result.

Remove rings and other jewelry to prevent electrical shorts and entanglement in moving parts.



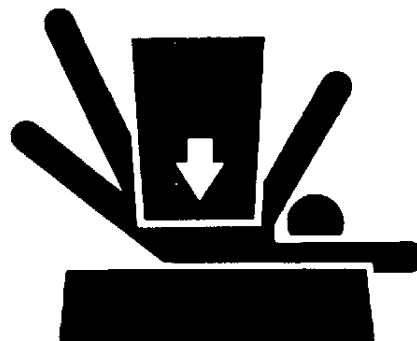
TS228

TS228-ESPD AE-160288

## SUPPORT MACHINE PROPERLY

Always lower the attachment or implement to the ground before you work on the machine. If you must work on a lifted machine or attachment, securely support the machine or attachment.

Do not support the machine on cinder blocks, hollow tiles or props that may crumble under continuous load. Do not work under a machine that is supported solely by a jack. Follow recommended procedures in this manual.

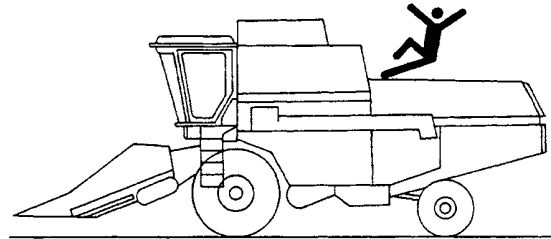


TS229

TS229-ESPD AE-160288

### SERVICING THE ENGINE

Use the service platform when servicing the engine. Climbing onto other parts of the combine may result in accidents such as falling off the machine.

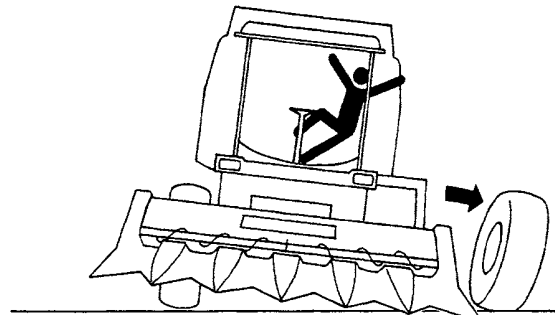


ES 118712

ES118712-ESPAE-270588

### RETORQUE WHEEL NUTS

Retorque machine wheel nuts and bolts as specified in section "Break-In Period" and "Service". Failure to do this could result in a wheel falling off during operation, causing the combine to tip over with serious injury to the operator and extensive damage to the machine.



ES 118713

ES118713-ESPAE-270588

### AVOID HIGH-PRESSURE FLUIDS

Escaping fluid (fuel or hydraulic oil) under pressure can penetrate the skin causing serious injury. Relieve pressure before disconnecting hydraulic or other lines. Tighten all connections before applying pressure. Keep hands and body away from pinholes and nozzles which eject fluids under high pressure. Use a piece of cardboard to search for leaks.

If ANY fluid is injected into the skin, it must be surgically removed within a few hours by a doctor familiar with this type of injury, or gangrene may result.



X9811-ESPAE-260188



**Suggest:**

**If the above button click is invalid.**

**Please download this document**

**first, and then click the above link**

**to download the complete manual.**

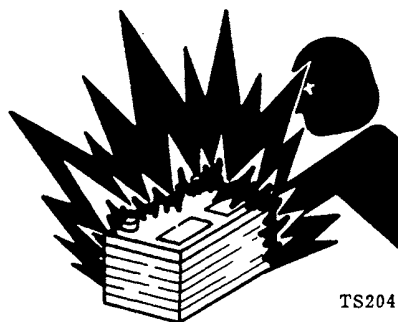
**Thank you so much for reading**

## AVOID BATTERY EXPLOSIONS

Battery gas can explode. Keep sparks and flames away from batteries. Use a flashlight to check battery electrolyte level.

Never check battery charge by placing a metal object across the posts. Use a voltmeter or hydrometer.

Always remove grounded (–) battery clamp first and replace it last.



TS204

TS204-ESPD AE-270588

## HANDLE BATTERIES SAFELY

Sulfuric acid in battery electrolyte is poisonous. It is strong enough to burn skin, eat holes in clothing and cause blindness if splashed into eyes.

Avoid the hazard by:

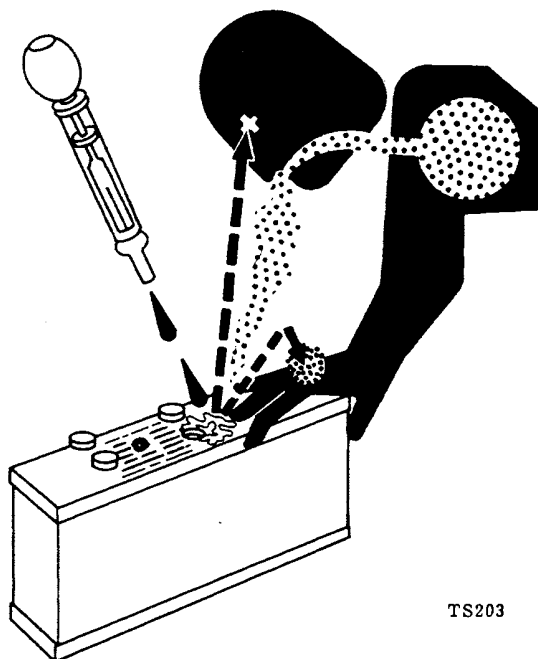
1. Filling the batteries in a well-ventilated area.
2. Wearing eye protection and rubber gloves.
3. Avoiding breathing in the fumes when electrolyte is added.
4. Avoiding spilling or dripping electrolyte.
5. Using the proper jump start procedure.

If you spill acid on yourself:

1. Flush your skin with water.
  2. Apply baking soda or lime to help neutralize the acid.
  3. Flush your eyes with water for 10 – 15 minutes.
- Get medical attention immediately.

If acid is swallowed:

1. Drink large amounts of water or milk.
2. Then drink milk of magnesia, beaten eggs or vegetable oil.
3. Get medical attention immediately.



TS203

TS203-ESPD AE-160288

**<https://www.ebooklibonline.com>**

Hello dear friend!

Thank you very much for reading.

Enter the link into your browser.

The full manual is available for immediate download.

**<https://www.ebooklibonline.com>**