

JOHN DEERE
WORLDWIDE COMMERCIAL & CONSUMER
EQUIPMENT DIVISION

Large Area Reel Mower
1905

OMDMU21002 K4
OPERATOR'S MANUAL

PIN (1905X195039-)



JOHN DEERE

European Version
Litho in the Netherlands

INTRODUCTION

Thank You for Purchasing a John Deere Product

We appreciate having you as a customer and wish you many years of safe and satisfied use of your machine.

Using Your Operator's Manual

This manual is an important part of your machine and should remain with the machine when you sell it.

Reading your operator's manual will help you and others avoid personal injury or damage to the machine. Information given in this manual will provide the operator with the safest and most effective use of the machine. Knowing how to operate this machine safely and correctly will allow you to train others who may operate this machine.

If you have an attachment, use the safety and operating information in the attachment operator's manual along with the machine operator's manual to operate the attachment safely and correctly.

This manual and safety signs on your machine may also be available in other languages (see your John Deere dealer to order).

Section in your operator's manual are placed in a specific order to help you understand all the safety messages and learn the controls so you can operate this machine safely. You can also use this manual to answer any specific operating or servicing questions. A convenient index located at the end of this book will help you to find needed information quickly.

The machine shown in this manual may differ slightly from your machine, but will be similar enough to help you understand our instructions.

RIGHT-HAND and LEFT-HAND sides are determined by facing in the direction the machine will travel when going forward. When you see a broken line arrow (----->), the item referred to is hidden from view.

Before delivering this machine, your dealer performed a predelivery inspection to ensure best performance.

Special Messages

Your manual contains special messages to bring attention to potential safety concerns, machine damage as well as helpful operating and servicing information. Please read all the highlighted information carefully to avoid injury and machine damage.



CAUTION: Avoid injury! This symbol and text highlight potential hazards or death to the operator or bystanders may occur if the hazards or procedures are ignored.

IMPORTANT: Avoid damage! This text is used to tell the operator of actions or conditions that might result in damage to the machine.

NOTE: *General information is given throughout the manual that may help the operator in the operation or service of the machine.*

PRODUCT IDENTIFICATION

Record Identification Numbers

1905 Large Area Reel Mower

PIN (1905 X 195039 -)

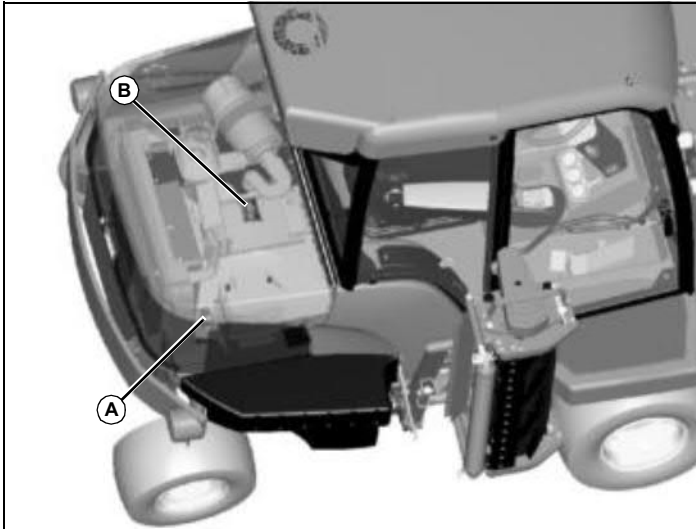
If you need to contact an Authorized Service Center for information on servicing, always provide the product model and serial number.

You will need to locate the model and serial number for the machine and for the engine of your machine and record the information in the spaces provided below.

DATE OF PURCHASE:

DEALER NAME:

DEALER PHONE:



DM1239

PRODUCT IDENTIFICATION NUMBER (A):

ENGINE SERIAL NUMBER (B):

<https://www.ebooklibonline.com>

Hello dear friend!

Thank you very much for reading.

Enter the link into your browser.

The full manual is available for immediate download.

<https://www.ebooklibonline.com>

TABLE OF CONTENTS

| | |
|---------------------------------|----|
| Safety | 1 |
| Operating | 11 |
| Operating Cutting Units | 25 |
| Replacement Parts | 30 |
| Service Intervals | 31 |
| Service Lubrication | 32 |
| Service Engine | 34 |
| Service Cutting Units | 42 |
| Service Transmission | 51 |
| Service Electrical | 54 |
| Service Miscellaneous | 60 |
| Troubleshooting | 65 |
| Storage | 73 |
| Assembly | 74 |
| Specifications | 82 |
| Declaration of Conformity | 84 |
| Index | 85 |

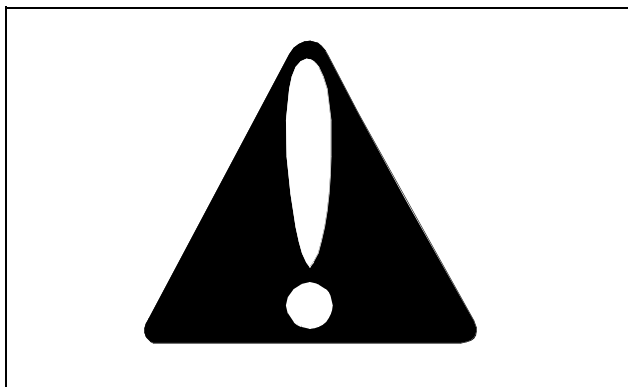
All information, illustrations and specifications in this manual are based on the latest information at the time of publication. The right is reserved to make changes at any time without notice.

COPYRIGHT© 2005
Deere & Co.
John Deere Worldwide Commercial and
Consumer Equipment Division
All rights reserved
Previous Editions
COPYRIGHT©

OMDMU21002 K4 - English

SAFETY

Understanding The Machine Safety Labels



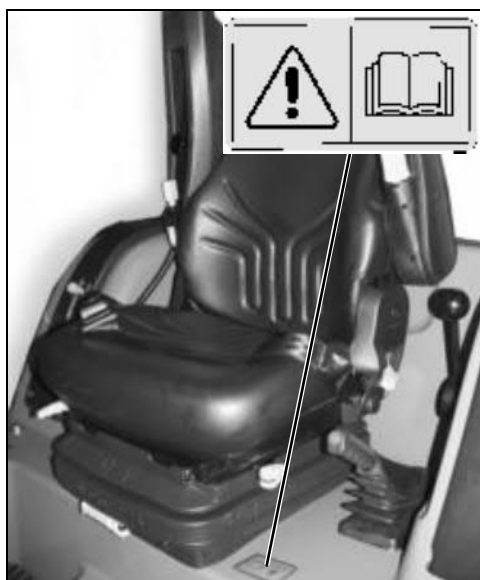
Safety-Alert Symbol

The machine safety labels shown in this section are placed in important areas on your machine to draw attention to potential safety hazards.

On your machine safety labels, the words DANGER, WARNING, and CAUTION are used with this safety-alert symbol. DANGER identifies the most serious hazards.

The operator's manual also explains any potential safety hazards whenever necessary in special safety messages that are identified with the word, CAUTION, and the safety-alert symbol.

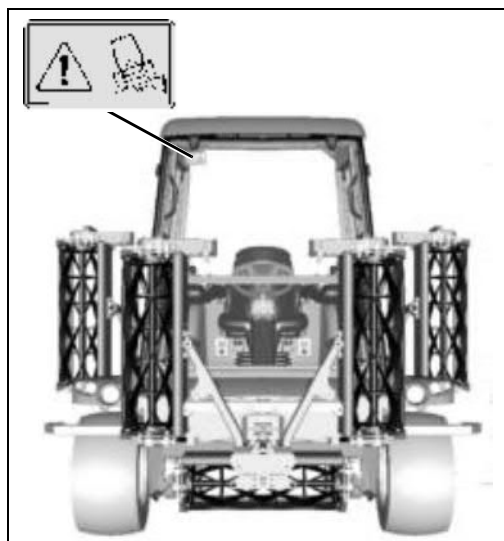
Read Operators Manual



DM1213 / DM0758

This operator's manual contains important information necessary for safe machine operation. Observe all safety rules to avoid accidents.

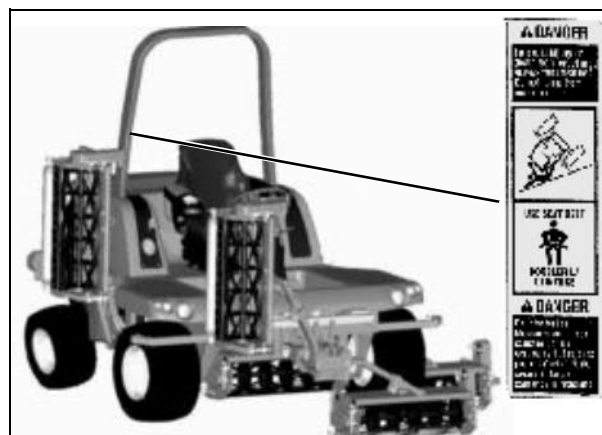
Avoid Injury From Tipping



DM0143 / DM1237

Do not use mower on inclines with an angle exceeding 28%.

WARNING

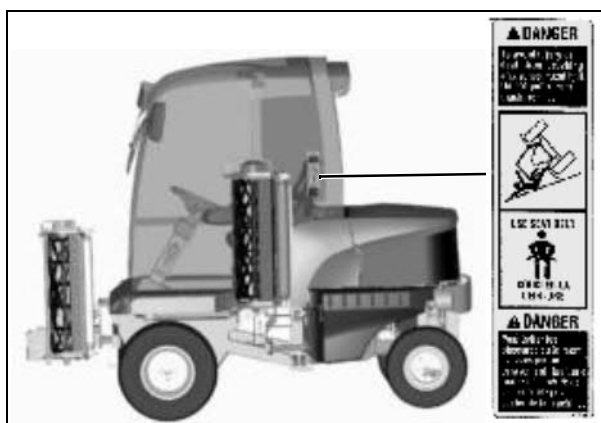


MT6773 / DM1236

To avoid injury or death from crushing, always wear seat belt. Do not jump from machine. Use seat belt.

SAFETY

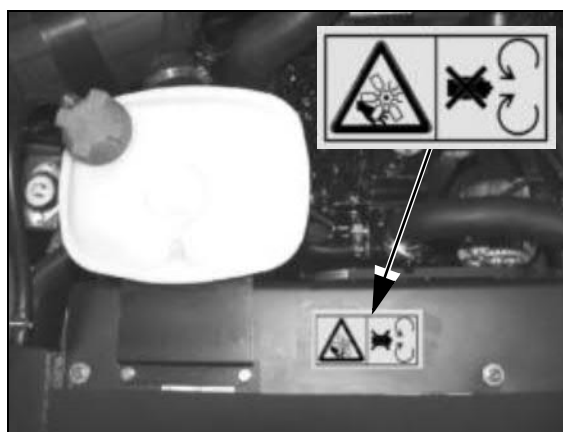
WARNING



MT6773 / DM1415

To avoid injury or death from crushing, always wear seat belt. Do not jump from machine. Use seat belt.

Avoid Injury from Fan



DM0968 / DM1413

Do not open or remove safety shields while engine is running.

ROLL-OVER PROTECTIVE STRUCTURE

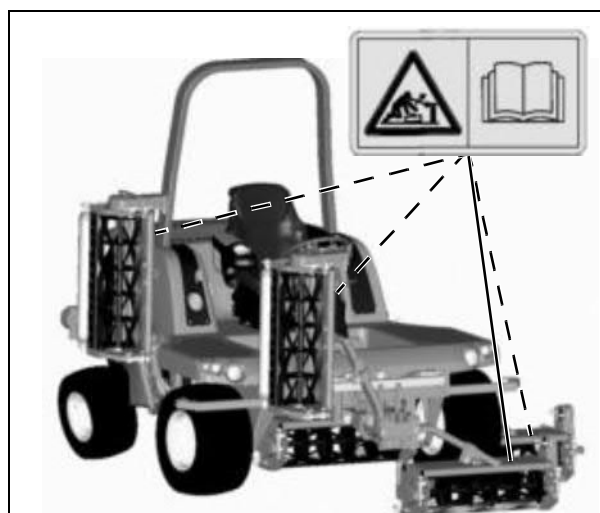


DM1279 / DM1236

To maintain operator protection and ROPS certification:

- Replace damaged ROPS, do not repair or revise
- Any alteration of ROPS must be approved by manufacturer.

Avoid Injury From Lift Arms

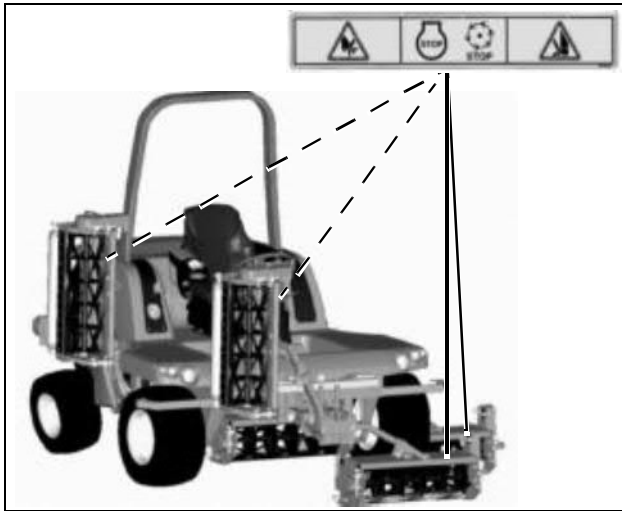


DM0971 / DM1236

Avoid injury from compressed springs. Refer to Operator's Manual for proper procedures.

SAFETY

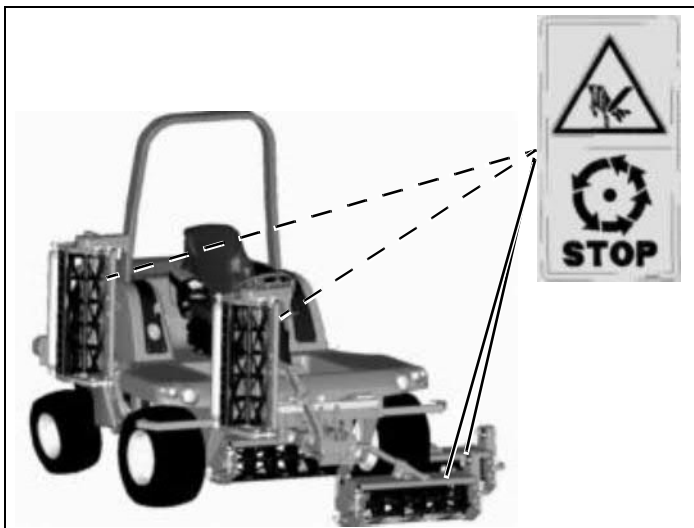
Rotating Blades (on ESP Cutting Units Only)



MT6732 / DM1236

Avoid injury from rotating blades. Keep hands and feet away while machine is running.

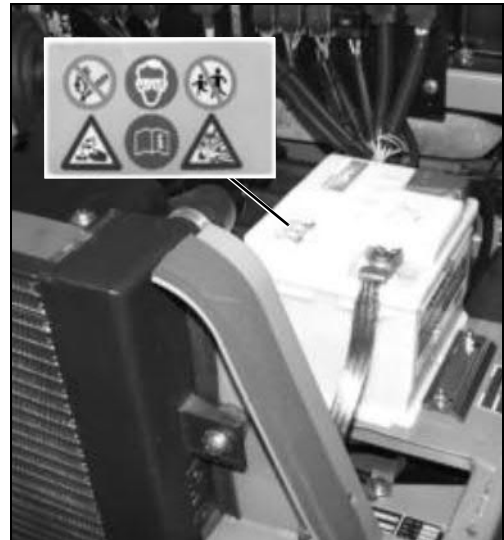
Avoid Injury From Rotating Blades



Z59868 / DM1236

To avoid injury from rotating blades, stay clear of reels. Wait for reels to stop before performing service.

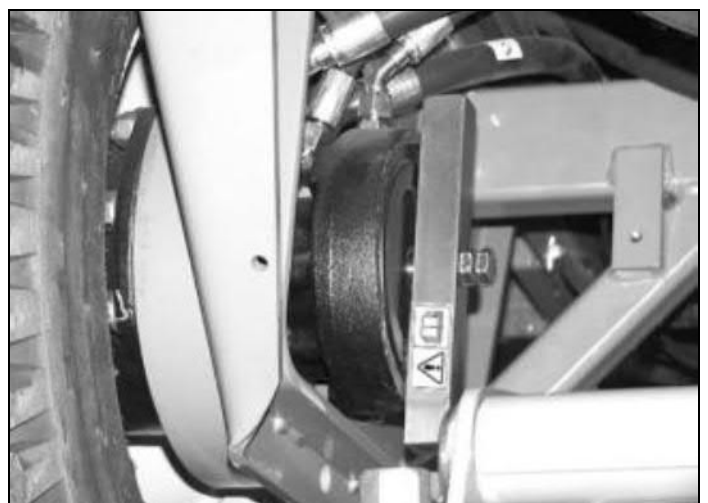
Avoid Injury From Battery Gases and Acids



DM1210 / DM0145

- Do not smoke and keep fire away from battery.
- Wear eye protection and gloves when performing maintenance on the battery.
- Keep children away from battery when performing maintenance on the battery
- Do not spill electrolyte on skin
- Read manual before performing maintenance on battery.
- Batteries produce a flammable and explosive gas.

Avoid Injury From Machine Free-wheeling Out Of Control



DM1305 / DM1393

Machine may free wheel out of control.

SAFETY

Operator Training Required

- The owner of the machine is responsible for training the users and mechanics of the machine.
- The owner/user can prevent and is responsible for accidents or injuries occurring to themselves, other people, or property.
- Do not allow operation or service of the machine by children or untrained adults.
- Read the operator's manual and study the safety and operation sections before operating the machine.
- If the operator of the machine cannot read or understand this manual, it is the machine's owner responsibility to explain this material to the operator. This publication is available in other languages.
- Operate the machine in an open, unobstructed area under the direction of an experienced operator.
- Learn the use of all controls.
- Operator experience is required to learn the moving, stopping, turning and other operating characteristics of the machine.

Operating Safely

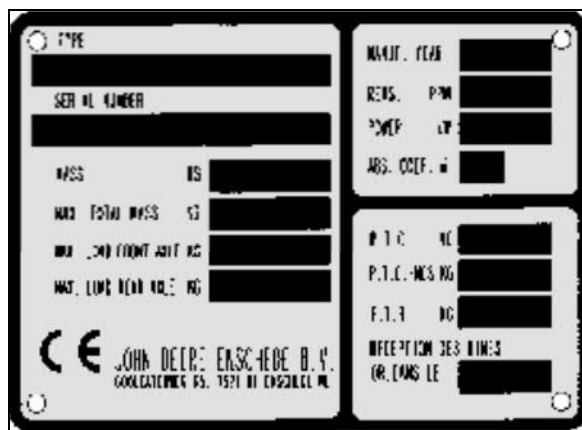


DM1248

- Inspect machine before you operate. Be sure hardware is tight. Repair or replace damaged, badly worn, or missing parts. Be sure guards and shields are in good condition and fastened in place. Make any necessary adjustments before you operate.
- Check before each use that operator presence controls are functioning correctly. Test safety systems. Do not operate unless they are functioning correctly.
- Do not change the engine governor setting or overspeed the engine.
- Check brake action before you operate. Adjust or service brakes as necessary.

- Stop machine if anyone enters the area.
- If you hit an object, stop and inspect the machine. Make repairs before you operate. Keep machine and attachments properly maintained and in good working order.
- Do not leave machine unattended when it is running.
- Only operate during daylight or with good artificial light.
- Slow down and be careful of traffic when operating near or crossing roadways. Stop blades before crossing roads or sidewalks. Use care when approaching blind corners, shrubs, trees, or other objects that may obscure vision.
- Be careful of traffic when operating near roadways. Use care when approaching blind corners, shrubs, trees, or other objects that may obscure vision.
- Be aware of the mower discharge direction and make sure that no one is in the path of the discharge direction.
- Use only accessories and attachments approved by the manufacturer of the machine.

CE Certification, Specification and Sound Labels



DMU210130

This serial number plate on your machine indicates that this model has been certified and complies with the applicable requirements of Machine Directive 98/37/EEC (89/392EEC) Standards.

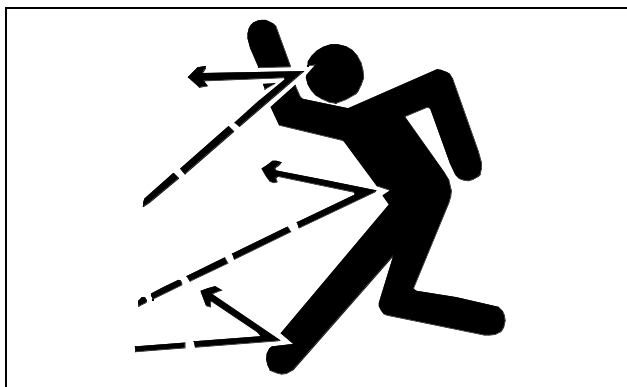
SAFETY



DM1414

This label on your machine indicates that this model complies with the applicable requirements of noise machine directive 2000/14/EC.

Checking Mowing Area



- Evaluate the terrain to determine what accessories and attachments are needed to properly and safely perform the job. Only use accessories and attachments used by the manufacturer.
- Clear mowing area of objects that might be thrown. Keep people and pets out of mowing area.
- Study mowing area. Set up a safe mowing pattern. Do not mow where traction or stability is doubtful.
- Test drive area with mower lowered but not running. Slow down when you travel over rough ground.

Parking Safely

1. Stop machine on a level surface, not on a slope.
2. Stop mower blades or attachments.
3. Lower attachments to the ground.

4. Lock park brake.
5. Stop engine.
6. Remove key.
7. Wait for engine and all moving parts to stop before you leave the operator's station.

Avoid Tipping



- Slopes are a major factor related to loss-of-control and tip-over accidents, which can result in severe injury or death. All slopes require extra caution. If you cannot back up the slope or if you feel uneasy on it, do not mow it.
- Drive up and down a hill - not across.
- Do not mow or operate on slopes you cannot back up.
- Keep all movement on slopes slow and gradual. Do not make sudden changes in speed or direction.
- Use a slow speed when operating on a slope. Choose a low gear or speed so that you will not have to stop or shift while on the slope.
- Tires may lose traction on slopes even though the brakes are functioning properly.
- Do not turn on slopes unless necessary. Turn slowly and turn downhill. Do not shift to neutral and coast downhill.
- Stay alert for holes and other hidden hazards in the terrain. Uneven terrain could overturn the machine. Tall grass can hide obstacles.
- Keep away from drop-offs, ditches, embankments, as well as ponds and other bodies of water. The machine could suddenly turn over if a wheel is over the edge of a cliff or ditch, or if an edge caves in.
- Use extra care with grass catchers or other attachments. These can change the stability of the machine. Do not use grass catcher on steep slopes.
- Follow the manufacturer's recommendations for wheel weights or counterweights for added stability when

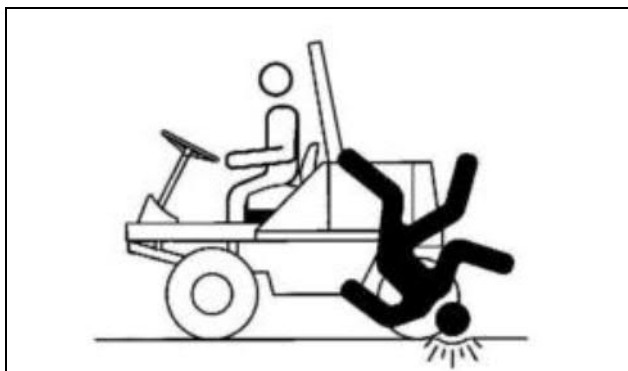
SAFETY

MX18014

operating on slopes or using front or rear mounted attachments. Remove weights when not required.

- Do not stop when going up hill or down hill. If machine stops going up hill or tires lose traction, disengage mower blades and back down slowly.
- Operating machine when grass is wet can cause reduced traction and sliding.
- Do not try to stabilize the machine by putting your foot on the ground.

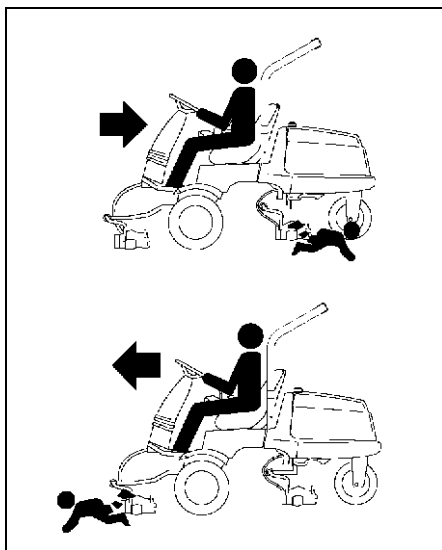
Keep Riders Off



DM1247

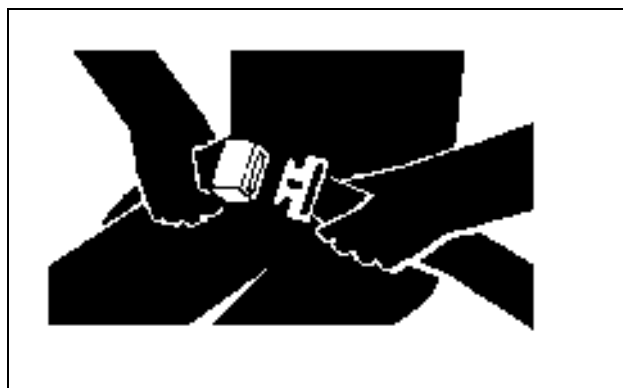
- Only allow the operator on the machine. Keep riders off.
- Riders on the machine or attachment may be struck by foreign objects or thrown off the machine causing serious injury.
- Riders obstruct the operator's view resulting in the machine being operated in an unsafe manner.

Protect Children



- Death or serious injury can occur when young children associate having fun with a lawn mowing machine simply because someone has given them a ride on a machine.
- Young children are attracted to lawn mowing machines and mowing activities. They don't understand the dangers of rotating blades or the fact that the operator is unaware of their presence.
- Tragic accidents with children can occur if the operator is not alert to the presence of children, especially when a child approaches a machine from behind. Before backing up, stop mower blades and look down and behind the machine carefully, especially for children.
- Never carry children on a machine or attachment, even with the blades off. Do not tow children in a cart or trailer. They can fall off and be seriously injured or interfere with safe machine operation.
- Never use the machine as a recreational vehicle or to entertain children.
- Do not let children or an untrained person operate the machine. Instruct all operators not to give children a ride on the machine or in an attachment.
- Keep children indoors, out of the mowing area, and under the watchful eye of a responsible adult when a mower is being operated.
- Stay alert to the presence of children. Never assume that children will remain where you last saw them. Turn the machine off if a child enters the work area.

Use Seat Belt Properly



M71754

Use a seat belt when you operate with an optional roll-over protective structure (ROPS) to minimize chance of injury from an accident such as an overturn.

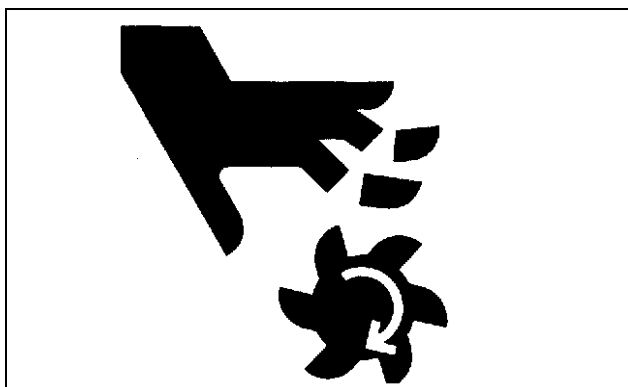
Do not use a seat belt if operating without a ROPS.

SAFETY

Checking Wheel Hardware

- A serious accident could occur causing serious injury if wheel hardware is not tight.
- Check wheel hardware tightness often during the first 100 hours of operation.
- Wheel hardware must be tightened to specified torque using the proper procedure anytime it is loosened.

Avoid Injury From Contacting Blades



TS283

Protect Others:

- Do not let untrained person operate the machine.
- Be alert at all times, drive forward carefully. People can move quickly into the mowing area before you know it.
- Turn machine off if another person enters the mowing area.
- Shut off cutting units when you are not mowing.
- Use extra care when you come to blind corners, shrubs, trees, or other objects that may block your vision.
- Do not carry or let others ride on machine.
- Back carefully. Shut off cutting units and look behind the machine carefully before you back up.

Blocked Or Stalled Cutting Units:

- Keep all parts of the body away from the cutting edges. Residual hydraulic pressure in the system can cause cutting cylinder rotation when the blockage is released.
- Do not reverse reels to unplug cutting units. Wear gloves and use tool or wood to rotate reel.

Before You Dismount To Unplug Or Adjust Cutting Units:

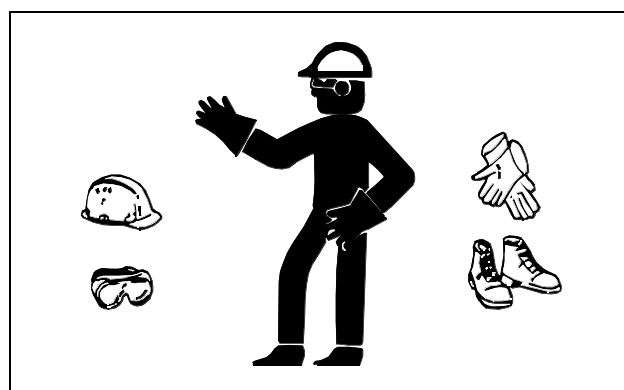
- Stop engine and wait for reels to stop turning before making any adjustments to the cutting units.
- Disengage reel drive by moving MOWING lever to

neutral position.

- Stop the engine.
- Lock the park brake.
- Remove key.
- Wait for reels to stop.

Keep hands, feet, and clothing away from cutting units when engine is running.

Wear Appropriate Clothing



MIF

- Always wear safety goggles, or safety glasses with side shields, and a hard hat when operating the machine.
- Wear close fitting clothing and safety equipment appropriate for the job.
- While mowing, always wear substantial footwear and long trousers. Do not operate the equipment when barefoot or wearing open sandals.
- Wear a suitable protective device such as earplugs. Loud noise can cause impairment or loss of hearing.

Practice Safe Maintenance



MIF

- Only qualified, trained adults should service this

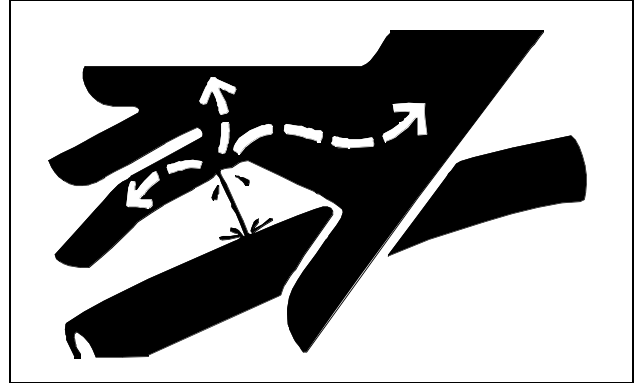
SAFETY

machine.

- Understand service procedure before doing work. Keep area clean and dry.
- Do not operate the engine in a confined space where dangerous carbon monoxide fumes can collect.
- Never lubricate, service, or adjust machine while it is moving. Wait for all movement to stop on machine before adjusting, cleaning or repairing.
- Keep safety devices in place and in working condition. Keep hardware tight.
- On multi-bladed machines, take care as rotating one blade can cause other blades to rotate.
- Keep hands, feet, clothing, jewelry, and long hair away from any moving parts, to prevent them from getting caught.
- Lower any attachments to the ground before cleaning or servicing machine. Disengage all power and stop the engine. Lock park brake and remove the key. Let machine cool.
- Disconnect battery or remove spark plug wire (for gasoline engines) before making any repairs. Disconnect negative terminal first and positive last. Install positive terminal first and negative last.
- Before servicing machine, carefully release pressure from any components with stored energy, such as hydraulic components and springs.
- Keep all nuts and bolts tightened, especially blade attachment bolts.
- Securely support any machine elements that must be raised for service work. Use jack stands or lock service latches to support components when needed.
- Never run engine unless park brake is locked.
- Use care when checking blades. Wrap blades or wear gloves and use caution when servicing them. Only replace blades. Never straighten or weld them.
- Keep all parts in good condition and properly installed. Fix damage immediately. Replace worn or broken parts. Replace all worn or damaged safety and instruction decals.
- Grass catcher components are subject to wear, damage, and deterioration which could expose moving parts or allow objects to be thrown. Check components frequently and replace with manufacturer's recommended parts when necessary.
- Charge batteries in an open, well-ventilated area, away from sparks. Unplug battery charger before connecting or disconnecting from the battery. Wear protective clothing and use insulated tools.
- Do not modify machine or safety devices. Unauthorized modifications may impair its function and safety.

- Check park brake operation frequently. Adjust and service as needed.

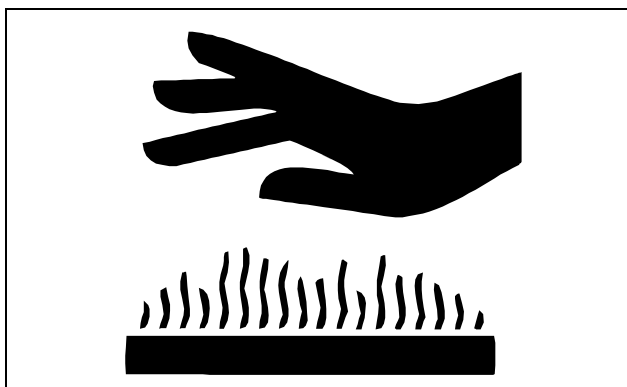
Avoid High Pressure Fluids



- Hydraulic hoses and lines can fail due to physical damage, kinks, age, and exposure. Check hoses and lines regularly. Replace damaged hoses and lines.
- Hydraulic fluid connections can loosen due to physical damage and vibration. Check connections regularly. Tighten loose connections.
- Escaping fluid under pressure can penetrate the skin causing serious injury. Avoid the hazard by relieving pressure before disconnecting hydraulic or other lines. Tighten all connections before applying pressure.
- Search for leaks with a piece of cardboard. Protect hands and body from high pressure fluids.
- If an accident occurs, see a doctor immediately. Any fluid injected into the skin must be surgically removed within a few hours or gangrene may result. Doctors unfamiliar with this type of injury should reference a knowledgeable medical source.

SAFETY

Prevent Fires



- Keep mower free of grass, leaves, or other debris build-up. To reduce fire hazard, keep engine, engine compartment, and area around battery free of grass, leaves, or excessive grease.
- Remove grass and debris from engine compartment and muffler area, before and after operating machine, especially after mowing or mulching in dry conditions.
- Clean up oil or fuel spillage.
- Allow engine to cool before storing in any enclosure.
- Never remove fuel cap, or add fuel with engine running or hot. Allow engine to cool for several minutes.
- Always shut off fuel when storing or transporting machine, if the machine has a fuel shutoff.

Tire Safety



- Do not attempt to mount a tire without the proper equipment and experience to perform the job.
- Always maintain the correct tire pressure. Do not inflate the tires above the recommended pressure. Never weld or heat a wheel and tire assembly. The heat can cause an increase in air pressure resulting in a tire explosion. Welding can structurally weaken or deform the wheel.

- When inflating tires, use a clip-on chuck and extension hose long enough to allow you to stand to one side and not in front of or over the tire assembly.
- Check tires for low pressure, cuts, bubbles, damaged rims or missing lug bolts and nuts.

Handling Fuel Safely

Fuel and fuel vapors are highly flammable and explosive:



- Use extra care when handling gasoline and other fuels.
- Use only an approved container.
- Never remove gas cap or add fuel with the engine running. Allow the engine to cool before refueling. Do not smoke.
- Never refuel or drain the machine indoors. Move machine outdoors and provide adequate ventilation.
- Never store the machine or fuel container inside where there is an open flame, such as a water heater.
- Replace all fuel tank and container caps securely.
- Prevent fires. Clean up spilled fuel immediately. If fuel is spilled on clothing, change clothing immediately. Do not attempt to start the engine but move the machine away from the area of spillage and avoid creating any source of ignition until fuel vapors have dissipated.
- Prevent fire and explosion caused by static electric discharge. Use only non-metal, portable fuel containers approved by the Underwriter's Laboratory (U.L.) or the American Society for Testing & Materials (ASTM). If using a funnel, make sure it is plastic and has no screen or filter.

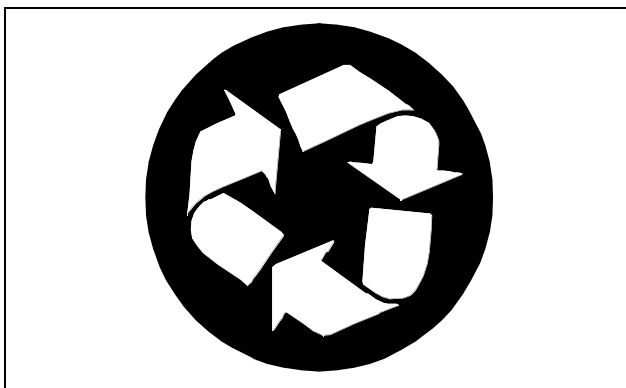
SAFETY



- Static electric discharge can ignite gasoline vapors in an ungrounded fuel container. Remove the fuel container from the bed of a machine or trailer or the trunk of a car and place on the ground away from the machine before filling. Keep nozzle in contact with container opening while filling. Do not use a nozzle lock-open device.
- When practical, remove equipment from trailers or truck beds and refuel them on the ground. If this is not possible, use a portable, plastic fuel container to refuel equipment on a truck bed or trailer.
- For gasoline engines, do not use gas with methanol. Methanol is harmful to your health and to the environment.

Handling Waste Product and Chemicals

Waste products, such as used oil, fuel, coolant, brake fluid, and batteries can harm the environment and people.



- **DO NOT** use beverage containers for waste fluids - someone may drink from them.
- See your local Recycling Center or John Deere dealer to learn how to recycle or get rid of waste products.

OPERATING

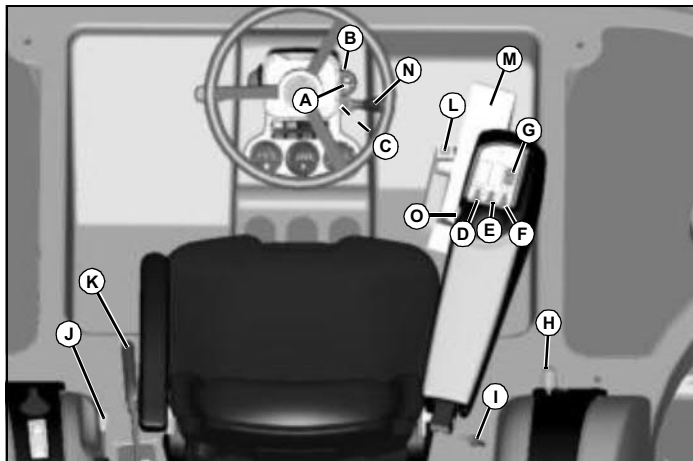
Daily Checklist

- Check tire pressure
- Check hydraulic oil level
- Check engine oil level
- Check coolant
- Test safety systems
- Remove grass and debris from machine
- Clean air intake screens for engine and oil cooler
- Check area below machine for leaks
- Check air restriction indicator
- Check fuel level
- Check for leakage (oil, fuel, coolant)
- Check for loose, missing, or damaged parts.

Avoid Damage to Plastic and Painted Surfaces

- Insect repellent spray may damage plastic and painted surfaces. Do not spray insect repellent near machine.
- Be careful not to spill fuel on machine. Fuel may damage surface. Wipe up spilled fuel immediately.
- Do not wipe plastic parts unless rinsed first. Using a dry cloth may cause scratches

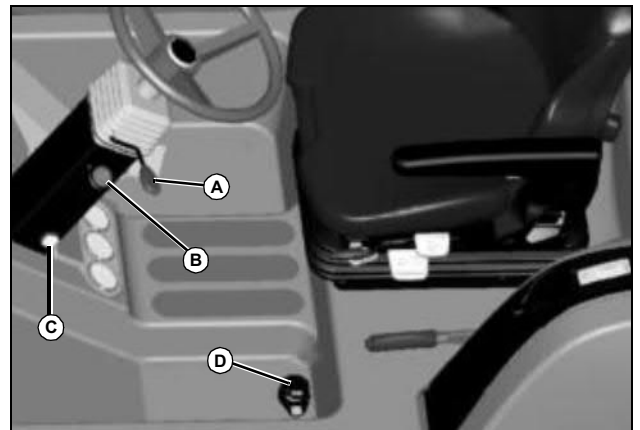
Operator Controls



DM1372

- A - Ignition Key**
- B - Ignition Switch**
- C - Hour Meter**
- D - Switch Lifting / Lowering Left Wing**

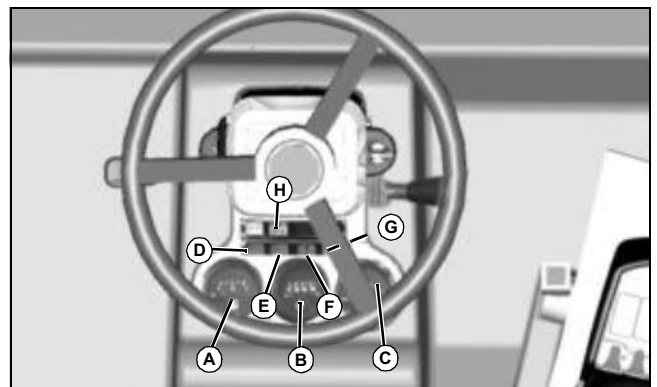
- E - Switch Lifting / Lowering Front and Center**
- F - Switch Lifting / Lowering Right Wing**
- G - All Wheel Drive Switch**
- H - Throttle Lever**
- I - Weight Transfer Knob**
- J - Mowing Lever**
- K - Park Brake**
- L - High Speed / Low Speed Adjustment**
- M - Driving Pedal Forward / Backward**
- N - Steering Column Switch: Horn, Turn Signal, Dipped Beam**
- O - Cross Cut Button**



DM1263

- A - Lever Steering Wheel Adjustment**
- B - Hazard Light Switch**
- C - Knob Backlapping**
- D - Switch Differential Lock**

Dash Controls



DM1259

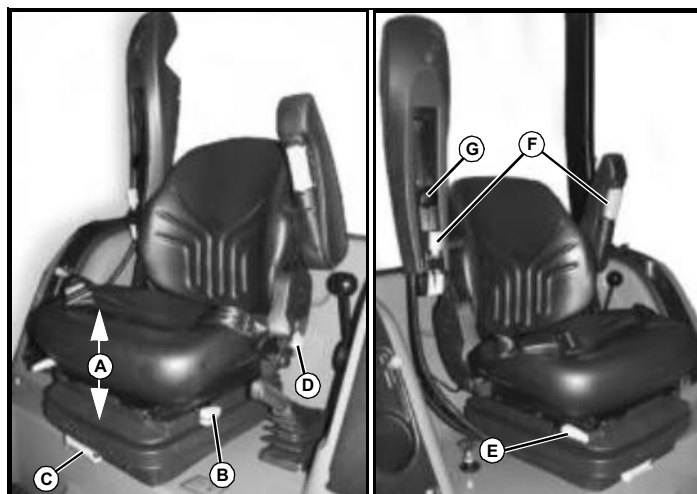
- A - Water Temperature Gauge**
- B - Hydraulic Oil Temperature Gauge**
- C - Fuel Gauge**
- D - Battery Discharge Lamp**

OPERATING

- E - Low Oil Pressure Lamp
- F - Coolant Temperature Lamp
- G - Glow Indicator
- H - 4WD indicator

Adjusting Seat

CAUTION: Avoid injury! Never adjust seat while machine is moving. Stop machine before adjusting seat to prevent loss of machine control.



DM1398 / DM1399

Height Adjustment

1. Pull up seat base (A) beyond its highest position, then lower it to its lowest position.
2. Pull up on seat base and let seat latch into the desired height.

Fore/Aft Isolator

1. Set lever (B) to the back to enable fore/aft isolator to absorb shock impacts in driving direction.
2. Set lever to the front to lock horizontal movement of seat.

Weight Adjustment

Turn lever (C) clockwise for stiffer vertical shock absorption or counter clockwise to decrease shock absorption.

Backrest Adjustment

Lift lever (D) and move backrest to desired position. Release lever to secure adjustment.

Fore/Aft Adjustment

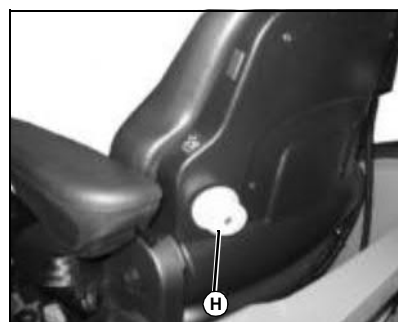
1. Lift lever (E).
2. Slide seat and latch into desired position.
3. Lower lever.

Armrest Adjustment

Turn knob (F) for inclination of armrest.

Control Arm Length Adjustment

Turn knob (G) counter clockwise and move arm to desired position. Turn knob clockwise to secure setting.



DM1400

Lumbar Support

- Turn knob (H) for desired height and curvature of backrest support.

Adjusting Optional Luxury Seat

CAUTION: Avoid injury! Adjust seat before moving or operating machine.



Suggest:

If the above button click is invalid.

Please download this document

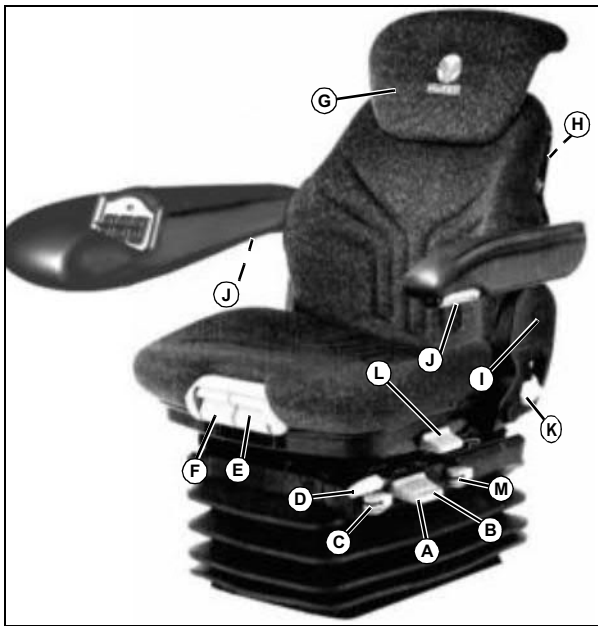
first, and then click the above link

to download the complete manual.

Thank you so much for reading

OPERATING

Weight Adjustment



DM1405

1. Pull lever (A).
2. Adjust weight.
3. Release lever.

Height Adjustment

IMPORTANT: Avoid damage! Do not operate compressor for more than 1 minute.

1. Pull or press lever (B) fully in or out.
2. Adjust height.
3. Release lever.

Fore/Aft Isolator

- Set knob (C) to the front to lock fore/aft isolator.
- Set knob to the back to unlock fore/aft isolator.

Fore/Aft Adjustment

1. Lift lever (D).
2. Latch into desired position.
3. Lower lever (D).

Seat Pan Angle Adjustment

1. Lift lever (E).
2. Move to desired position by exerting pressure on or off seat pan.
3. Lower lever.

Seat Depth Adjustment

1. Lift lever (F).
2. Move to desired seating position.
3. Lower lever.

Backrest Extension

- Pull or push backrest (G) up or down.

Lumbar Support

- Turn knob (H) for desired height and curvature. The curve can be individually adjusted by pressing upper and lower switches.

Armrest Height Adjustment:

1. Separate round cap (I) from cover.
2. Loosen round nut (13mm).
3. Adjust armrest to desired position.
4. Tighten nut.

Armrest Adjustments

Turn knob (J) for inclination.

Backrest Adjustment

Let lock lever (K) latch in desired position

Swivel

1. Pull lever (L).
2. Rotate seat into desired position.
3. Lower lever.

Absorber

1. Set knob (M) to the front for looser suspension.
2. Set knob to the back for stiffer suspension.

Adjusting Steering Wheel



CAUTION: Avoid injury! Never adjust steering wheel while moving. Stop machine before adjusting steering wheel to prevent loss of machine control.

<https://www.ebooklibonline.com>

Hello dear friend!

Thank you very much for reading.

Enter the link into your browser.

The full manual is available for immediate download.

<https://www.ebooklibonline.com>