

**JOHN DEERE**  
**AG & TURF DIVISION**

---

**QuikTrak™ Pro**  
**652B**

OMTCU33917 I2

**OPERATOR'S MANUAL**



**JOHN DEERE**

**⚠ WARNING:** The Engine Exhaust from this product contains chemicals known to the State of California to cause cancer, birth defects or other reproductive harm.

California Proposition 65 Warning

North American Version  
Printed in U.S.A.

# Introduction

---

## Thank You for Purchasing a John Deere Product

We appreciate having you as a customer and wish you many years of safe and satisfied use of your machine.

## Using Your Operator's Manual

This manual is an important part of your machine and should remain with the machine when you sell it.

Reading your operator's manual will help you and others avoid personal injury or damage to the machine. Information given in this manual will provide the operator with the safest and most effective use of the machine. Knowing how to operate this machine safely and correctly will allow you to train others who may operate this machine.

If you have an attachment, use the safety and operating information in the attachment operator's manual along with the machine operator's manual to operate the attachment safely and correctly.

This manual and safety signs on your machine may also be available in other languages (see your authorized dealer to order).

Sections in your operator's manual are placed in a specific order to help you understand all the safety messages and learn the controls so you can operate this machine safely. You can also use this manual to answer any specific operating or servicing questions. A convenient index located at the end of this book will help you to find needed information quickly.

The machine shown in this manual may differ slightly from your machine, but will be similar enough to help you understand our instructions.

RIGHT-HAND and LEFT-HAND sides are determined by facing in the direction the machine will travel when going forward. When you see a broken line (-----), the item referred to is hidden from view.

Before delivering this machine, your dealer performed a predelivery inspection to ensure best performance.

## Special Messages

Your manual contains special messages to bring attention to potential safety concerns, machine damage as well as helpful operating and servicing information. Please read all the information carefully to avoid injury and machine damage.



**CAUTION: Avoid injury! This symbol and text highlight potential hazards or death to the operator or bystanders that may occur if the hazards or procedures are ignored.**

**IMPORTANT: Avoid damage! This text is used to tell the operator of actions or conditions that might result in damage to the machine.**

***NOTE: General information is given throughout the manual that may help the operator in the operation or service of the machine.***

## Attachments for Your Machine

There's a John Deere attachment or kit to make your new machine perform more tasks or be more versatile, whether your machine is a lawn tractor or compact utility tractor or a utility vehicle.

You can check out the entire line of attachments for your machine at [JohnDeere.com](http://JohnDeere.com) or ask your John Deere dealer. From aerators to electric lift kits to tillers, there's a John Deere attachment or kit to fill every need.

# Product Identification

## Record Identification Numbers

### Quik Trak 600 Series (Fixed Deck), 652B

PIN (010001-)

If you need to contact an Authorized Service Center for information on servicing, always provide the product model and serial numbers.

You will need to locate the model and serial numbers for the machine and for the engine of your machine and record the information in the spaces provided below.

DATE OF PURCHASE:

\_\_\_\_\_

DEALER NAME:

\_\_\_\_\_

DEALER PHONE:

\_\_\_\_\_



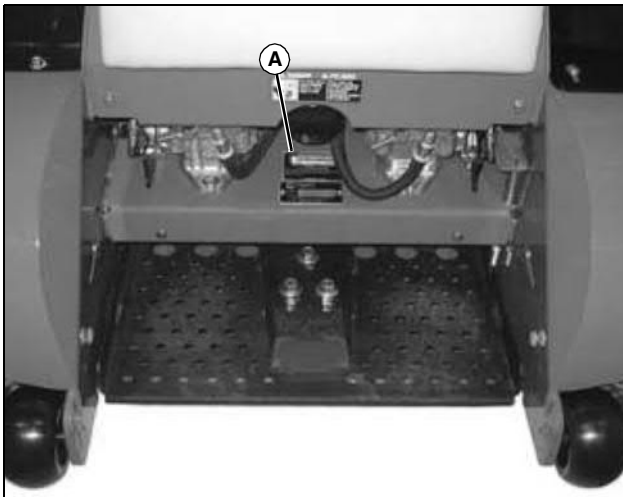
MXAL38233

ENGINE SERIAL NUMBER (B):

-----

ENGINE MODEL CODE (B):

-----



MXAL38234

PRODUCT IDENTIFICATION NUMBER (A):

-----

**<https://www.ebooklibonline.com>**

Hello dear friend!

Thank you very much for reading.

Enter the link into your browser.

The full manual is available for immediate download.

**<https://www.ebooklibonline.com>**

# Table of Contents

---

Safety Labels .....	1
Safety .....	4
Operating Controls .....	9
Operating .....	11
Replacement Parts .....	26
Service Intervals .....	27
Service Lubrication .....	29
Service Engine .....	30
Service Transmission .....	38
Service Steering & Brakes .....	48
Service Mower .....	49
Service Electrical .....	54
Service Miscellaneous .....	57
Troubleshooting .....	62
Storage .....	66
Assembly .....	68
Specifications .....	71
Warranty .....	74
Index .....	76

Original Instruction

All information, illustrations and specifications in this manual are based on the latest information at the time of publication. The right is reserved to make changes at any time without notice.

COPYRIGHT© 2012

Deere & Co.

John Deere Ag & Turf Division

All rights reserved

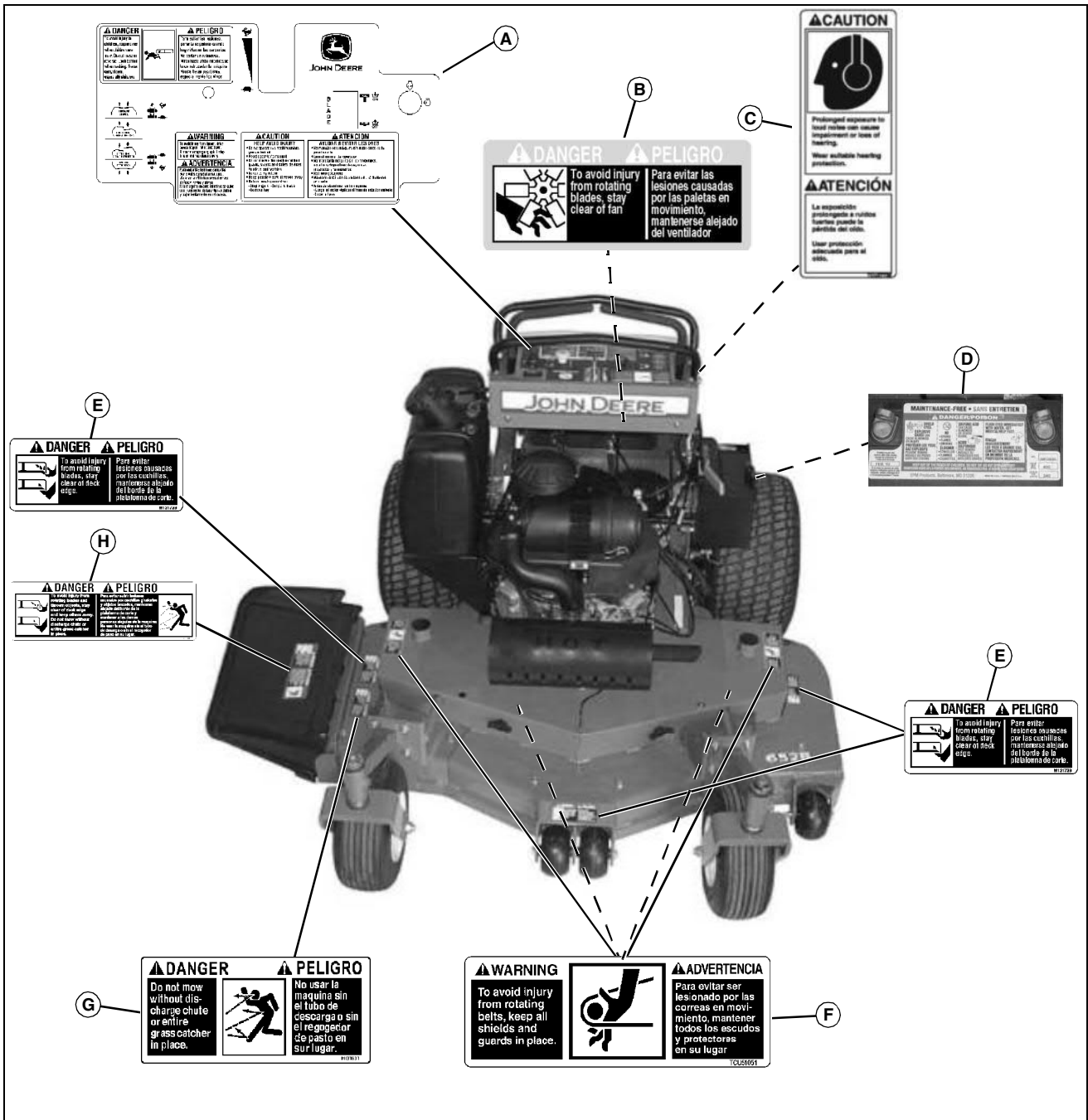
Previous Editions

COPYRIGHT©

OMTCU33917 I2 - English

# Safety Labels

## Safety Label Location



MXAL38235

- A - DANGER/WARNING/CAUTION TCU33828
- B - DANGER TCU17622
- C - CAUTION TCU27738
- D - Battery Label
- E - DANGER M131739
- F - WARNING TCU51051
- G - DANGER M137637
- H - DANGER M131748



## Understanding The Machine Safety Labels

The machine safety labels shown in this section are placed in important areas on your machine to draw attention to potential safety hazards.

On your machine safety labels, the words DANGER, WARNING, and CAUTION are used with this safety-alert symbol. DANGER identifies the most serious hazards.

# Safety Labels

The operator's manual also explains any potential safety hazards whenever necessary in special safety messages that are identified with the word, CAUTION, and the safety-alert symbol.

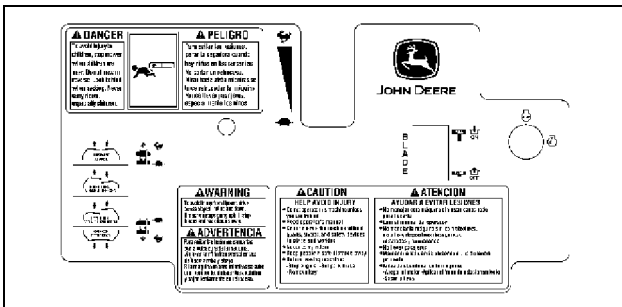
## CAUTION TCU27738



TCU27738

- Prolonged exposure to loud noise can cause impairment or loss of hearing.
- Wear suitable hearing protection.

## WARNING / CAUTION - TCU33828



TCU33828

### CAUTION

#### HELP AVOID INJURY

- Do not operate this machine unless you are trained
- Read operator's manual
- Do not operate the machine without guards, shields, and safety devices in place and working
- Never carry riders
- Keep people a safe distance away

- Before leading machine:

- Stop engine - Set park brake - Remove key

### WARNING

To avoid injury from tipover, drive across slopes, not up and down. If machine stops going uphill, stop blades and back down slowly.

### DANGER

To avoid injury to children, stop mower when children are near. Do not mow in reverse. Look behind when backing. Never carry riders, especially children.

### DANGER



MX10396

Shield Eyes: Explosive gases can cause blindness or injury.

NO:

Sparks

Flames

Smoking

Sulfuric acid can cause blindness or severe burns.

Flush eyes immediately with water. Get medical help fast.

Keep out of reach of children.

Do not tip.

Do not open battery.

### WARNING



TCU51051

TCU51051

## Safety Labels

To avoid injury from rotating belts, keep all shields and stay guards in place.

### DANGER

#### DANGER M131739



M131739

- To avoid injury from rotating blades, stay clear of deck edge.



TCU17622

To avoid injury from rotating blades, stay clear of fan.

### Certification

Your product has been certified for compliance with American National Standards Institute B-71.4, Safety Specifications for Commercial Turf care Equipment.

#### DANGER - M131748



M131748

To avoid injury from rotating blades and thrown objects, stay clear of deck edge and keep others away.

Do not mow without discharge chute or entire grass catcher in place.

#### DANGER - M137637



M137637

- Do not mow without discharge chute or entire grass catcher in place.

---

# Safety

---

## Operator Training Required

- Read the operator's manual and other training material. If the operator or mechanic cannot read English, it is the owner's responsibility to explain this material to them. This publication is available in other languages.
- Become familiar with the safe operation of the equipment, operator controls, and safety signs.
- All operators and mechanics should be trained. The owner of the machine is responsible for training the users.
- Never let children or untrained people operate or service the equipment. Local regulations may restrict the age of the operator.
- The owner/user can prevent and is responsible for accidents or injuries occurring to themselves, other people, or property.
- Operate the machine in an open, unobstructed area under the direction of an experienced operator.

## Preparation

- Evaluate the terrain to determine what accessories and attachments are needed to properly and safely perform the job. Only use accessories and attachments approved by the manufacturer.
- Wear appropriate clothing including hard hat, safety glasses and hearing protection. Long hair, loose clothing or jewelry may get tangled in moving parts.
- Inspect the area where the equipment is to be used and remove all objects such as rocks, toys and wire which can be thrown by the machine.
- Use extra care when handling gasoline and other fuels. They are flammable and vapors are explosive.
  - a. Use only an approved container.
  - b. Never remove gas cap or add fuel when engine is running. Do not smoke.
  - c. Never refuel or drain the machine indoors.
- Check that the operator's presence controls, safety switches and shields are attached and functioning properly. Do not operate unless they are functioning properly.

## Operating Safely

- Never run an engine in an enclosed area where dangerous carbon monoxide fumes can collect.
- Only operate in good light, keeping away from holes and hidden hazards.
- Be sure all drives are in neutral and parking brake is

engaged before starting engine. Only start engine from the operator's position. Use seat belts if provided.

- Keep a firm hold on the stationary handle at all times.
- Keep both feet on the foot platform at all times.
- Slow down and use extra care on hillsides. Be sure to travel in the recommended direction on hillsides. For this machine, drive across hillsides, not up and down. Turf conditions can affect the machine's stability. Use caution while operating near drop-offs.
- Slow down and use caution when making turns and when changing directions on slopes.
- Never raise deck with the blades running.
- Never operate with the PTO shield, or other guards, not securely in place. Be sure all interlocks are attached, adjusted properly, and functioning properly.
- Never operate with the discharge deflector raised, removed or altered, unless using a grass catcher. Do not operate mower without discharge chute or entire grass catcher in place.
- Do not change the engine governor setting or overspeed the engine. Operating the engine at excessive speed can increase the hazard of personal injury.
- Stop on level ground, lower implements, disengage drives, engage parking brake, and shut off engine before leaving the operator's position for any reason including emptying the grass catchers or unclogging the chute.
- Stop equipment and inspect blades after striking objects or if an abnormal vibration occurs. Make necessary repairs before resuming operations.
- Keep hands and feet away from the cutting units.
- Look behind and down before backing up to be sure of a clear path.
- Never carry passengers and keep pets and bystanders away.
- Slow down and use caution when making turns and crossing roads and sidewalks. Stop blades if not mowing. Watch for traffic when operating near or crossing roadways.
- Be aware of the mower discharge direction and do not point it at anyone.
- Do not operate the machine while under the influence of alcohol or drugs.
- Use care when loading or unloading the machine into or off of a trailer or truck.
- Use care when approaching blind corners, shrubs, trees, or other objects that may obscure vision.
- Inspect machine before you operate. Be sure hardware is tight. Repair or replace damaged, badly worn, or missing

# Safety

parts. Be sure guards and shields are in good condition and fastened in place. Make any necessary adjustments before you operate.

- Before using, always visually inspect to see that the blades, blade bolts and the mower assembly are not worn and damaged. Replace worn and damaged blades and bolts in sets to preserve balance.
- Keep safety labels visible when installing accessories and attachments.
- Do not wear radio or music headphones. Safe service and operation require your full attention.
- When machine is left unattended, stored, or parked, lower the mower deck unless a positive mechanical lock is used.

## Using a Spark Arrestor

The California Public Resources Code, section 4442.5 provides as follows:

No person shall sell, offer for sale, lease, or rent to any person any internal combustion engine subject to Section 4442 or 4443, and not subject to Section 13005 of the Health and Safety Code, unless the person provides a written notice to the purchaser or bailee, at the time of sale or at the time of entering into the lease or rental contract, stating that it is a violation of Section 4442 or 4443 to use or operate the engine on any forest-covered, brush-covered, or grass-covered land unless the engine is equipped with a spark arrestor, as defined in Section 4442, maintained in effective working order or the engine is constructed, equipped, and maintained for the prevention of fire pursuant to Section 4443. Cal. Pub. Res. Code 4442.5.

Other states or jurisdictions may have similar laws. A spark arrestor for your machine may be available from your authorized dealer. An installed spark arrestor must be maintained in good working order by the operator.



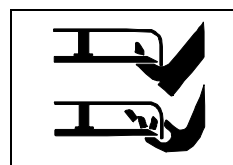
## Checking Mowing Area

- Clear mowing area of objects that might be thrown. Keep people and pets out of mowing area.
- Low-hanging branches and similar obstacles can injure the operator or interfere with mowing operation. Before mowing, identify potential obstacles such as low-hanging branches, and trim or remove those obstacles.
- Study mowing area. Set up a safe mowing pattern. Do not mow where traction or stability is doubtful.
- Test drive area with mower lowered but not running. Slow

down when you travel over rough ground.

## Parking Safely

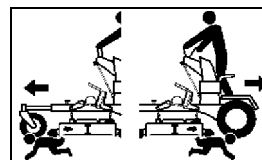
1. Stop machine on a level surface, not on a slope.
2. Disengage mower blades.
3. Lock the park brake.
4. Stop the engine.
5. Remove the key.
6. Wait for engine and all moving parts to stop before you leave the operator's station.
7. Close fuel shut-off valve, if your machine is equipped.
8. Disconnect the negative battery cable or remove the spark plug wire (for gasoline engines) before servicing the machine.



## Rotating Blades are Dangerous

### HELP PREVENT SERIOUS OR FATAL ACCIDENTS:

- Rotating blades can cut off arms and legs, and throw objects. Failure to observe safety instructions could result in serious injury or death.
- Keep hands, feet and clothing away from mower deck when engine is running.
- Be alert at all times, drive forward carefully. People, especially children can move quickly into the mowing area before you know it.
- Do not mow in reverse.
- Shut off blades when you are not mowing.
- Park machine safely before leaving the operator station for any reason including emptying the catchers or unplugging the chute.

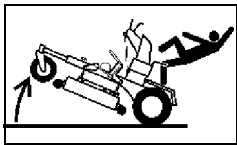


## Protect Children

- Death or serious injury can occur when young children associate having fun with a lawn mowing machine simply because someone has given them a ride on a machine.
- Children are attracted to lawn mowing machines and mowing activities. They don't understand the dangers of rotating blades or the fact that the operator is unaware of their presence.

# Safety

- Children who have been given rides in the past may suddenly appear in the mowing area for another ride and be run over or backed over by the machine.
- Tragic accidents with children can occur if the operator is not alert to the presence of children, especially when a child approaches a machine from behind. Before and while backing up, stop mower blades and look down and behind the machine carefully, especially for children.
- Never carry children on a machine or attachment, even with the blades off. Do not tow children in a cart or trailer. They can fall off and be seriously injured or interfere with safe machine operation.
- Never use the machine as a recreational vehicle or to entertain children.
- Never allow children or an untrained person operate the machine. Instruct all operators not to give children a ride on the machine or in an attachment.
- Keep children indoors, out of the mowing area, and in the watchful eye of a responsible adult, other than the operator, when a mower is being operated.
- Stay alert to the presence of children. Never assume that children will remain where you last saw them. Turn the machine off if a child enters the work area.



## Avoid Tipping

- Slopes are a major factor related to loss-of-control and tip-over accidents, which can result in severe injury or death. Operation on all

slopes requires extra caution.

- Mow across slopes, not up and down.
- Watch for holes, ruts, bumps, rocks, or other hidden objects. Uneven terrain could overturn the machine. Tall grass can hide obstacles.
- Choose a low ground speed so you will not have to stop or shift while on a slope.
- Do not mow or operate machine on wet grass. Tires may lose traction. Tires may lose traction on slopes even though the brakes are functioning properly.
- Avoid starting, stopping or turning on a slope. If the tires lose traction, disengage the blades and proceed slowly, straight down the slope.
- Keep all movement on slopes slow and gradual. Do not make sudden changes in speed or direction, which could cause the machine to roll over.
- Use extra care while operating machine with grasscatchers or other attachments, they can affect stability of the machine. Do not use on steep slopes.

- Do not mow near drop-offs, ditches, embankments, or bodies of water. The machine could suddenly roll over if a wheel goes over the edge or the edge caves in. Leave a safety area between the machine and any hazard.
- Follow the manufacturer's recommendations for wheel weights or counterweights for added stability when operating on slopes or using front or rear mounted attachments. Remove weights when not required.
- Drive machine very slowly and avoid quick stops when attachment is removed.
- Transport machine with decks lowered to improve stability.

## Keep Riders Off

- Only allow the operator on the machine. Keep riders off.
- Riders on the machine or attachment may be struck by foreign objects or thrown off the machine causing serious injury.
- Riders obstruct the operator's view resulting in the machine being operated in an unsafe manner.



## Avoid High Pressure Fluids

- Hydraulic hoses and lines can fail due to physical damage, kinks, age, and exposure. Check hoses and lines regularly. Replace damaged

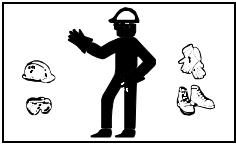
hoses and lines.

- Hydraulic fluid connections can loosen due to physical damage and vibration. Check connections regularly. Tighten loose connections.
- Escaping fluid under pressure can penetrate the skin causing serious injury. Avoid the hazard by relieving pressure before disconnecting hydraulic or other lines. Tighten all connections before applying pressure.
- Search for leaks with a piece of cardboard. Protect hands and body from high pressure fluids.
- If an accident occurs, see a doctor immediately. Any fluid injected into the skin must be surgically removed within a few hours or gangrene may result. Doctors unfamiliar with this type of injury should reference a knowledgeable medical source. Such information is available from Deere & Company Medical Department in Moline, Illinois, U.S.A. Information may be obtained in the United States and Canada only by calling 1-800-822-8262.

## Checking Wheel Hardware

# Safety

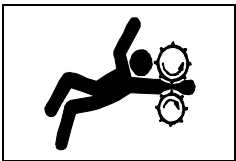
- A serious accident could occur causing serious injury if wheel hardware is not tight.
- Check wheel hardware tightness often during the first 100 hours of operation.
- Wheel hardware must be tightened to specified torque using the proper procedure anytime it is loosened.



## Wear Appropriate Clothing

- Always wear safety goggles, or safety glasses with side shields, and a hard hat when operating the machine.

- Wear close fitting clothing and safety equipment appropriate for the job.
- While operating this machine, always wear substantial footwear and long trousers. Do not operate the equipment when barefoot or wearing open sandals.
- Wear a suitable protective device such as earplugs. Loud noise can cause impairment or loss of hearing.



## Service Machines Safely

- Tie long hair behind your head.
- Do not wear a necktie, scarf, loose clothing, or necklace when you work near machine tools or moving parts.

If these items were to get caught, severe injury could result.

- Remove rings and other jewelry to prevent electrical shorts and entanglement in moving parts.

## Use Proper Tools

Use tools appropriate to the work. Makeshift tools and procedures can create safety hazards. Use power tools only to loosen threaded parts and fasteners. For loosening and tightening hardware, use the correct size tools. DO NOT use U.S. measurement tools on metric fasteners. Avoid bodily injury caused by slipping wrenches. Use only service parts meeting John Deere specifications.



## Maintenance and Storage

- Never operate machine in a closed area where dangerous carbon monoxide fumes can collect.

- Disengage drives, lower implement, lock parking brake, stop engine and remove key or

disconnect spark plug (for gas engines). Wait for all movement to stop before adjusting, cleaning or repairing.

- Clean grass and debris from cutting units, drives, mufflers, and engine to help prevent fires. Clean up oil or fuel spillage.
- Let engine cool before storing and do not store near flame.
- Shut off fuel while storing or transporting. Do not store fuel near flames or drain indoors.
- Park machine on level ground. Never allow untrained personnel to service machine. Understand service procedure before doing work.
- Use jack stands or lock service latches to support components when required. Securely support any machine elements that must be raised for service work.
- Before servicing machine or attachment, carefully release pressure from any components with stored energy, such as hydraulic components or springs.
- Release hydraulic pressure by lowering attachment or cutting units to the ground or to a mechanical stop and move hydraulic control levers back and forth.
- Disconnect battery or remove spark plug (for gas engines) before making any repairs. Disconnect the negative terminal first and the positive last. Reconnect positive first and negative last.
- Use care when checking blades. Wrap the blades or wear gloves, and use caution when servicing them. Only replace blades. Never straighten or weld them.
- Keep hands, feet, clothing, jewelry and long hair away from moving parts. If possible, do not make adjustments with the engine running.
- Charge batteries in an open well ventilated area, away from spark and flames. Unplug charger before connecting or disconnecting from battery. Wear protective clothing and use insulated tools.
- Keep all parts in good working condition and all hardware tightened. Replace all worn or damaged decals.
- Check grass catcher components and the discharge guard frequently and replace with manufacturer's recommended parts, when necessary. grass catcher components are subject to wear, damage, and deterioration which could expose moving parts or allow objects to be thrown.
- Keep all nuts and bolts tight, especially blade attachment bolts, to be sure the equipment is in safe working condition.
- Check brake operation frequently. Adjust and service as required.
- On multi-bladed machines, take care as rotating one blade can cause other blades to rotate.

# Safety

## Prevent Fires

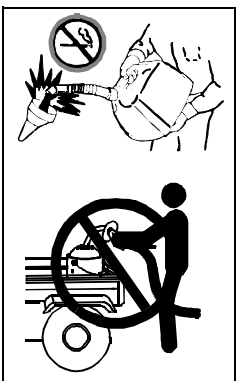
- Machine fires and structure fires can occur if a machine is stored before allowing it to cool, if debris is not removed from critical areas of the machine, or if machine is stored near combustible materials.
- Remove grass and debris completely from engine compartment and muffler area, and from on top of the mower deck, before and after operating machine, especially after mowing or mulching in dry conditions.
- Empty any grasscatcher bags or containers completely before storing.
- Always shut off fuel when storing or transporting machine, if the machine has a fuel shutoff.
- Do not store machine near an open flame or source of ignition, such as a water heater or furnace.
- Check fuel lines, tank, cap, and fittings frequently for cracks or leaks. Replace if necessary.



## Tire Safety

Explosive separation of a tire and rim parts can cause serious injury or death:

- Do not attempt to mount a tire without the proper equipment and experience to perform the job.
- Always maintain the correct tire pressure. Do not inflate the tires above the recommended pressure. Never weld or heat a wheel and tire assembly. The heat can cause an increase in air pressure resulting in a tire explosion. Welding can structurally weaken or deform the wheel.
- When inflating tires, use a clip-on chuck and extension hose long enough to allow you to stand to one side and NOT in front of or over the tire assembly.
- Check tires for low pressure, cuts, bubbles, damaged rims or missing lug bolts and nuts.



## Handling Fuel Safely

**To avoid personal injury or property damage, use extreme care in handling fuel. Fuel is extremely flammable and fuel vapors are explosive:**

- Extinguish all cigarettes, cigars, pipes, and other sources of ignition.
- Use only an approved fuel container. Use only non-metal, portable fuel containers approved by

the Underwriter's Laboratory (U.L.) or the American Society for Testing & Materials (ASTM). If using a funnel, make sure it is plastic and has no screen or filter.

- Never remove the fuel tank cap or add fuel with the engine running. Allow engine to cool before refueling.
- Never add fuel to or drain fuel from the machine indoors. Move machine outdoors and provide adequate ventilation.
- Clean up spilled fuel immediately. If fuel is spilled on clothing, change clothing immediately. If fuel is spilled near machine, do not attempt to start the engine but move the machine away from the area of spillage. Avoid creating any source of ignition until fuel vapors have dissipated.
- Never store the machine or fuel container where there is an open flame, spark, or pilot light such as on a water heater or other appliance.
- Prevent fire and explosion caused by static electric discharge. Static electric discharge can ignite fuel vapors in an ungrounded fuel container.
- Never fill containers inside a vehicle or on a truck or trailer bed with a plastic liner. Always place containers on the ground away from your vehicle before fueling.
- Remove fuel-powered equipment from the truck or trailer and refuel it on the ground. If this is not possible, then refuel such equipment with a portable container, rather than from a fuel dispenser nozzle.
- Keep the nozzle in contact with the rim of the fuel tank or container opening at all times until the fueling is complete. Do not use a nozzle lock-open device.
- Never overfill fuel tank. Replace fuel tank cap and tighten securely.
- Replace all fuel container caps securely after use.
- For gasoline engines, do not use gas with methanol. Methanol is harmful to your health and to the environment.

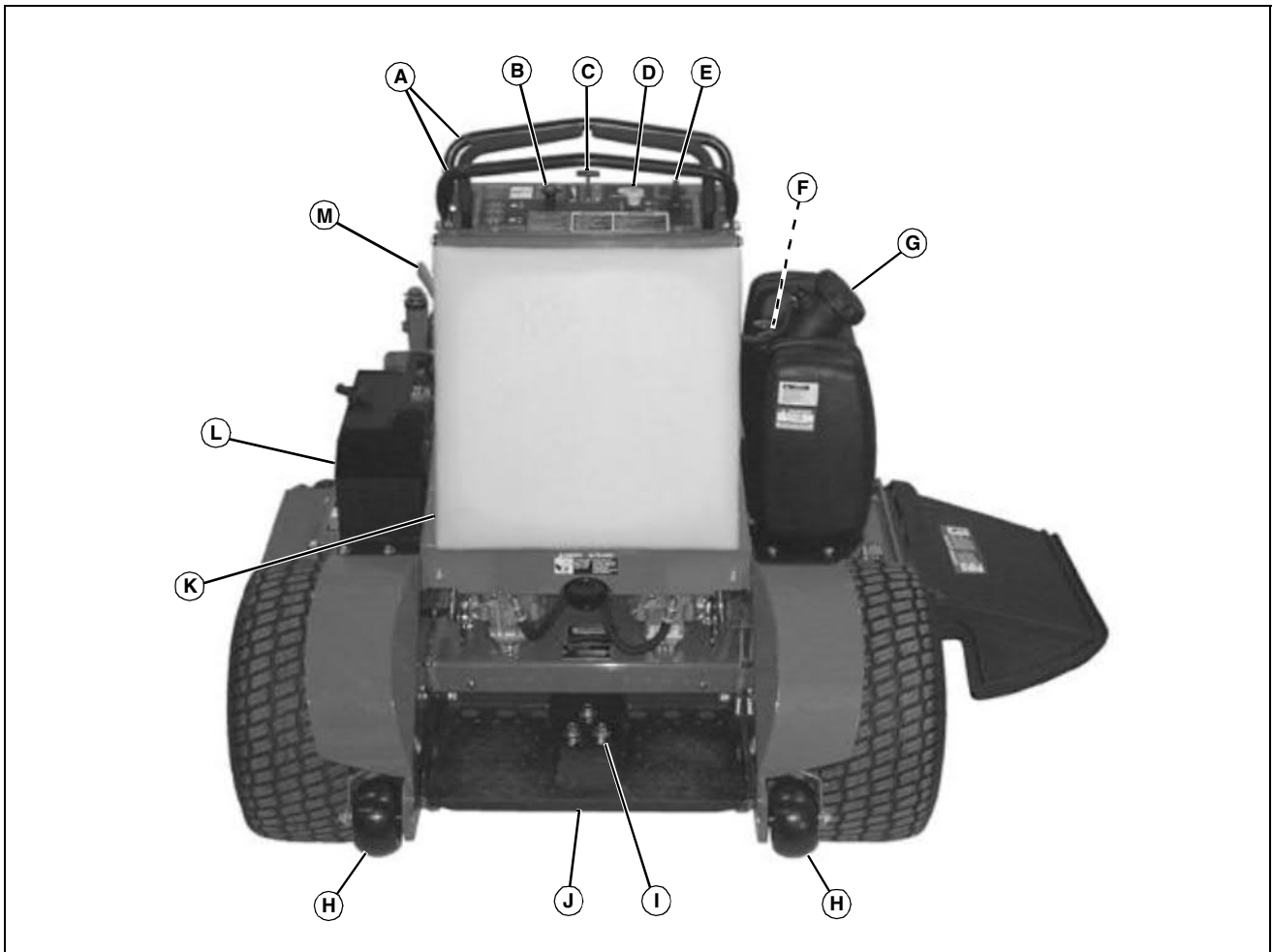
## Handling Waste Product and Chemicals

Waste products, such as, used oil, fuel, coolant, brake fluid, and batteries, can harm the environment and people:

- Do not use beverage containers for waste fluids - someone may drink from them.
- See your local Recycling Center or authorized dealer to learn how to recycle or get rid of waste products.
- A Material Safety Data Sheet (MSDS) provides specific details on chemical products: physical and health hazards, safety procedures, and emergency response techniques. The seller of the chemical products used with your machine is responsible for providing the MSDS for that product.

# Operating Controls

## Operator Station Controls

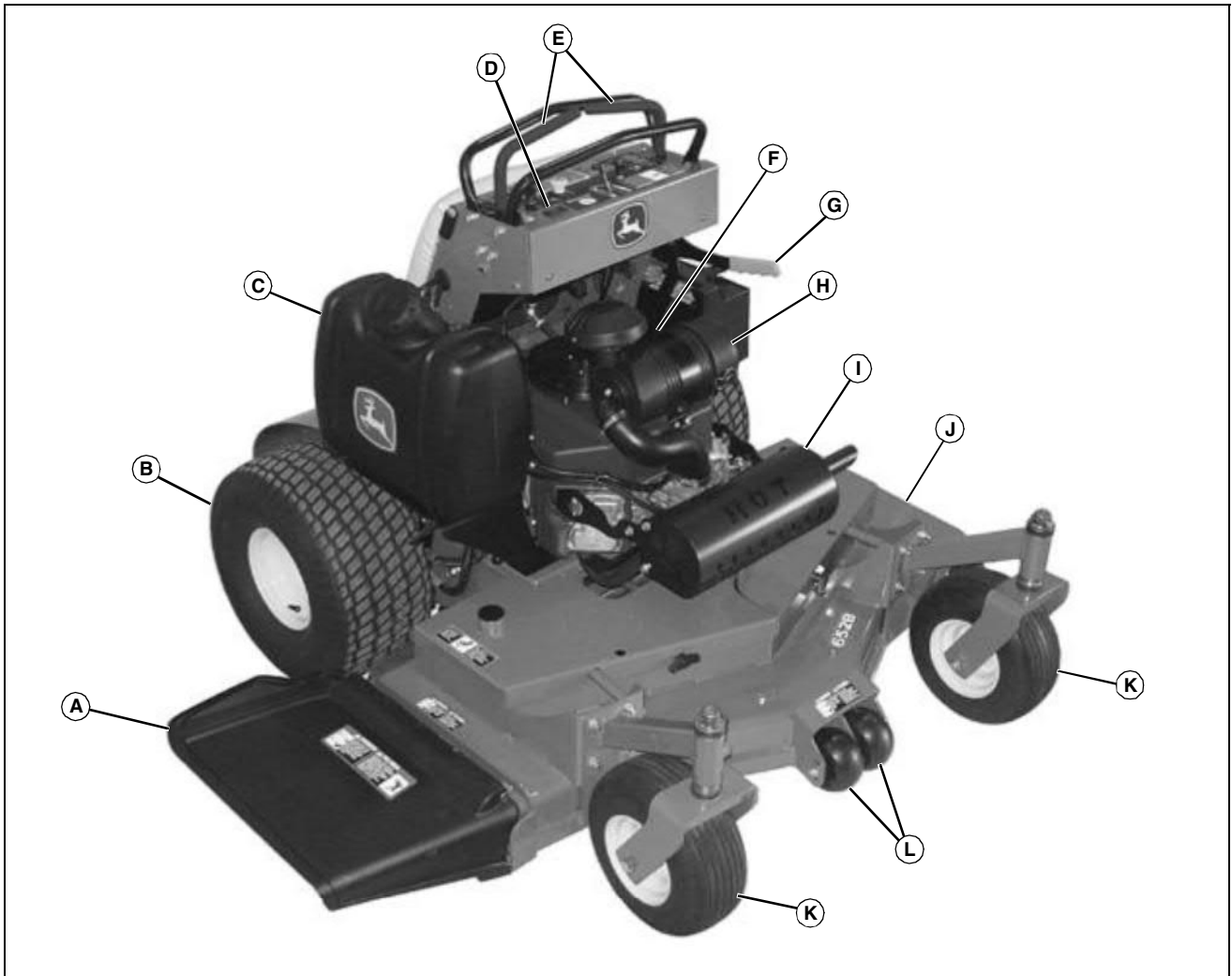


MXAL38238

- A - Stationary Handles**
- B - Choke (if equipped)**
- C - Throttle Lever**
- D - Electric PTO Switch**
- E - Key Switch**
- F - Fuel Shutoff**
- G - Fuel Fill Cap**
- H - Anti-Scalp Wheels**
- I - Foot Platform Adjustment Springs**
- J - Foot Platform**
- K - Thigh Pad**
- L - Battery Box**
- M - Brake Handle**

# Operating Controls

## General Overview



MXAL38237

- A - Flexible Chute Deflector**
- B - Rear Drive Tire**
- C - Fuel Tank**
- D - Hour Meter**
- E - Control Handles**
- F - Air Cleaner**
- G - Park Brake Lever**
- H - Air Cleaner**
- I - Muffler**
- J - Cutter Deck**
- K - Front Caster Tires**
- L - Anti-Scalp Wheels**

# Operating

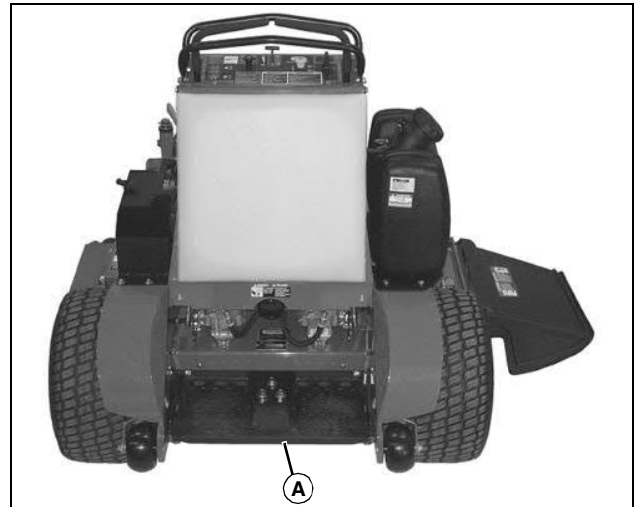
## Daily Operating Checklist

- Make sure all necessary guards and shields are safely and securely attached. Check for loose, missing or damaged parts.
- Remove grass and debris from operator's platform, air intake screen, engine cooling fins, hydraulic pumps, engine compartment and muffler area.
- Test park brake.
- Test safety systems.
- Check engine and hydraulic oil level.
- Check for oil leaks.
- Check all belts for damage or cracking.
- Check tire pressure. Check tires for damage or cracking.
- Check mower level.
- Adjust cutting height if necessary.
- Remove mower deck belt shields. Inspect and clean grass and debris from belt area.
- Check and adjust steering control linkages.
- Lubricate front caster spindles and wheels.

## Avoid Damage to Plastic and Painted Surfaces

- Do not wipe plastic parts unless rinsed first. Using a dry cloth may cause scratches.
- Insect repellent spray may damage plastic and painted surfaces. Do not spray insect repellent near machine.
- Be careful not to spill fuel on machine. Fuel may damage surface. Wipe up spilled fuel immediately.
- Prolonged exposure to sunlight will damage hood surfaces.

## Mounting and Dismounting Machine Safely

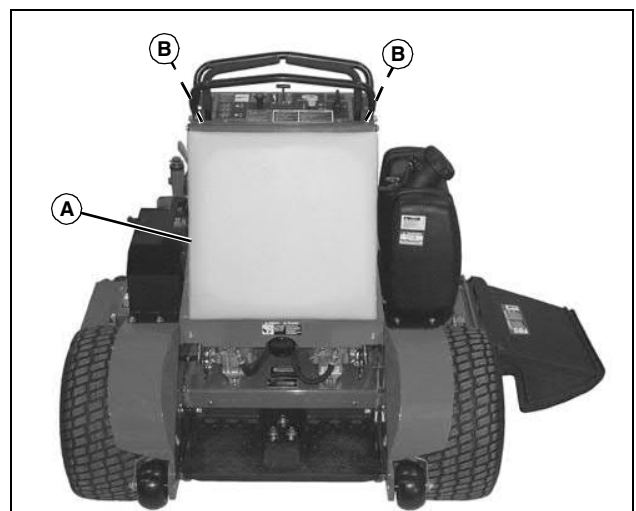


MXAL38238

1. Step on operator's platform (A) at the rear of machine to mount the machine.
2. Park machine safely. (See Parking Safely in the SAFETY section.)
3. Step off operator's platform to dismount machine.
4. Keep operator's platform clean.

## Raising and Lowering Thigh Pad

1. Park machine safely. (See Parking Safely in the SAFETY section.)



MXAL38238

2. Lift up on bottom portion of thigh pad (A), allowing it to swivel upward on hinges (B).
3. Push down on thigh pad (A), allowing it to swivel downward on hinges (B).

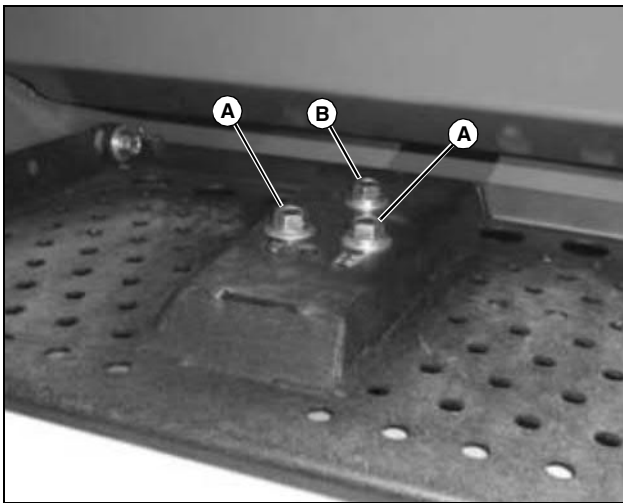
# Operating

## Adjusting Foot Platform Suspension

**NOTE:** Foot platform suspension is adjusted at the factory. If the setting is not satisfactory, the springs and cap screws (A) can be moved from the forward position.

Both cap screws must be positioned similarly, with neither cap screw more forward or rearward than the other.

An optional forth spring and cap screw (C) can be added for additional stiffness. The third spring and cap screw (B) and the optional forth spring and cap screw (C) are not adjustable.



MXAL38201

1. Park machine safely. (See Parking Safely in the SAFETY section.)
2. Loosen both cap screws (A) just enough to slide the springs and cap screws. If loosened too much, the nut may fall off and the foot platform will have to be removed to reinstall the nut.
3. Slide springs and cap screws (A) forward or rearward as needed;
  - Slide springs and cap screws forward for less stiffness.
  - Slide springs and cap screws rearward for more stiffness.
4. Tighten cap screws with an impact wrench. If tightened with a hand wrench, the nut may spin.

## Checking Cutting Height



**CAUTION:** Avoid injury! Rotating blades are dangerous. Before adjusting or servicing mower:

- Disconnect spark plug wire(s) or battery negative (-) cable to prevent engine from starting accidentally.
- Always wear gloves when handling mower blades or working near blades.

### Checking Overall Cutting Height

1. Inflate tires to correct pressure.
2. Position right mower blade (discharge side) in the front-to-rear position (parallel to the direction of travel).
3. Measure from front of blade tip to the ground.
4. If blade tip height is not within 73-79 mm (2-7/8-3-1/8 in.), an adjustment is needed.

## Adjusting Mower Deck Height-of-Cut



**CAUTION:** Avoid injury! Rotating parts can catch fingers, loose clothing, or long hair. Wait for engine and all moving parts to stop before leaving operator's station to adjust or service machine.

**NOTE:** Ensure both rear tires have proper air pressure. Check for even tire wear before adjusting.

The height-of-cut is adjusted from the factory at 76 mm (3 in.) with a 6 mm (1/4 in.) forward pitch. The height-of-cut can be adjusted from a 38 mm (1.5 in.) to 127 mm (5 in.) deck height using one of the following methods:

- Coarse Adjustment (12 mm [1/2 in.] increments): This method involves changing the mounting position of the rear motor supports and front caster wheel mounts.
- Fine Adjustment (1.6 mm [1/16 in.] to 6 mm [1/4 in.] increments): This method involves adjusting the blade spacers and/or front caster wheel spacers and washers.
- Temporary Height-of-Cut Adjustment: This method uses the caster wheel spacers.

### Coarse Height-of-Cut Adjustment (12 mm [1/2 in.] increments)

**NOTE:** Perform the following procedure on both sides of the machine.

1. Park machine safely. (See Parking Safely in the

# Operating

SAFETY section.)

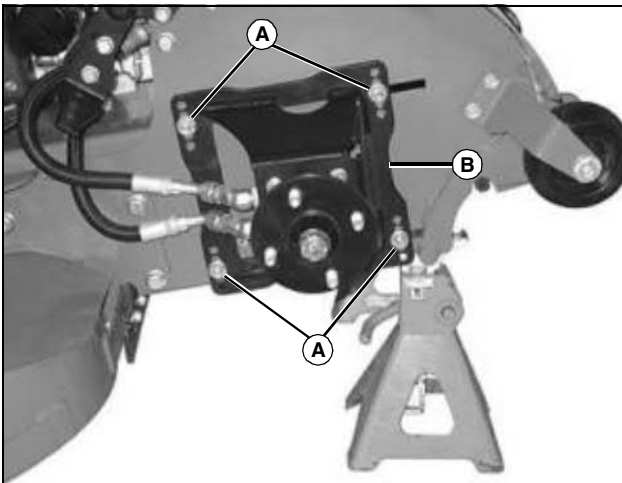


**CAUTION: Avoid injury! The machine can fall or slip from an unsafe lifting device or supports.**

- Use a safe lifting device rated for the load to be lifted.
- Lower machine onto jack stands or other stable supports and block wheels before servicing.

2. Remove the rear wheels. (See “Removing and Installing Rear Drive Wheels” in the SERVICE MISCELLANEOUS section.)

**NOTE: Each hole equals 12 mm (1/2 in.).**



MX38428

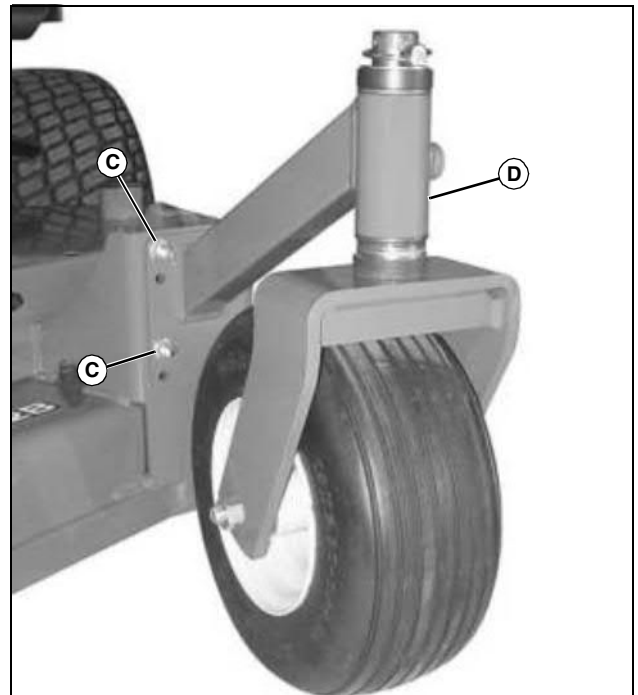
3. Remove nuts (A), and reposition the motor support assembly (B) up or down as desired. Install and tighten nuts (A).

4. Install the rear wheels. (See “Removing and Installing Rear Drive Wheels” in the SERVICE MISCELLANEOUS section.)

5. Lower the rear wheels to the ground.

6. Lift front of machine with a safe lifting device.

**NOTE: Each hole equals 24 mm (1 in.).**



MXAL38403

7. Remove four (two each side) flange nuts (C), and reposition the caster wheel assembly (D) up or down as desired.

8. Lower the front of the machine to the ground.

9. Proceed to “Fine Height-of-Cut Adjustment” as needed.

## Fine Height-of-Cut Adjustment (1.6 mm [1/16 in.] to 6 mm [1/4 in.] increments)

The fine height-of-cut adjustment can be adjusted either at the caster wheel assembly or at the blade spindles.

### Adjusting at the caster wheel assembly:

**NOTE: Perform the following procedure on both sides of the machine.**

1. Park machine safely. (See Parking Safely in the SAFETY section.)

2. Lift front of machine with a safe lifting device.



**Suggest:**

**If the above button click is invalid.**

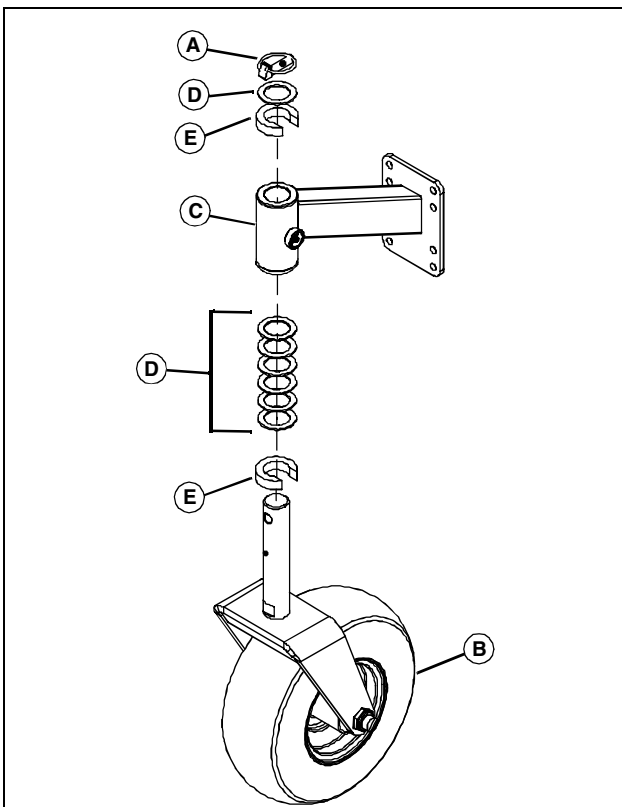
**Please download this document**

**first, and then click the above link**

**to download the complete manual.**

**Thank you so much for reading**

## Operating



MXAL38434

3. Remove lock pin (A) and wheel assembly (B) from caster yoke (C).
4. Reposition the 1.6 mm (1/16 in.) washers (D) and/or "C" spacers 6 mm (1/4 in.) (E) above or below the caster yoke (C) as needed.
5. Install the wheel assembly (B), 1.6 mm (1/16 in.) washers (D) and/or "C" spacers 6 mm (1/4 in.) (E), and lock pin (A).
6. Apply grease to lubrication fitting (F).

### Adjusting at the blade spindles:

**NOTE:** Repeat the following procedure for each blade/spindle.

1. Park machine safely. (See Parking Safely in the SAFETY section.)



**CAUTION: Avoid injury! Help prevent serious personal injury. Do not operate the mower without the mower deck shield installed.**

2. Remove mower deck drive belt shields. (See "Removing and Installing Mower Deck Drive Belt Shields" in the SERVICE MOWER section.)
3. Lift front of machine with a safe lifting device.

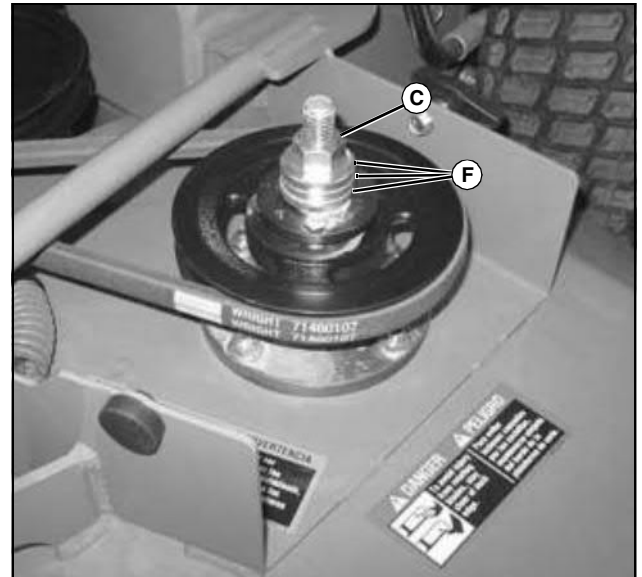


**CAUTION: Avoid injury! Do not work near raised mower deck unless it is safely supported.**

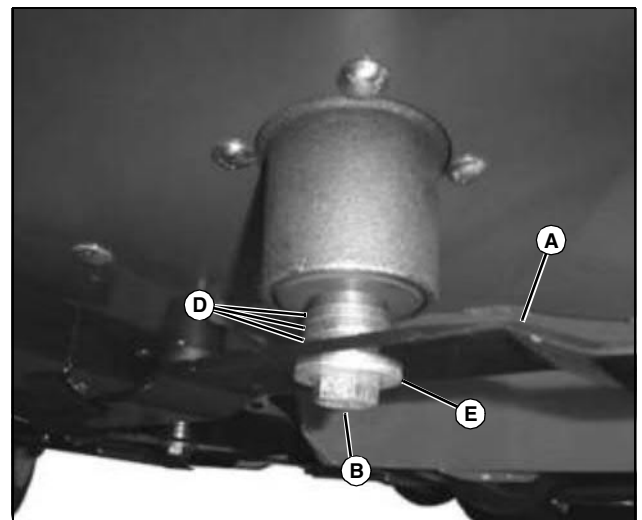
**Mower blades are sharp. Wrap blades or wear gloves when servicing.**

**Before performing any service function, wait for all moving parts to stop turning.**

**Disconnect battery before making repairs.**



MXAL38438



MXAL38218

4. Support the blade (A) and cap screw (B).
5. Remove hex nut (C) by turning counterclockwise, and lower the blade (A), spacer washers (D), and washer (E).

**<https://www.ebooklibonline.com>**

Hello dear friend!

Thank you very much for reading.

Enter the link into your browser.

The full manual is available for immediate download.

**<https://www.ebooklibonline.com>**