

# **365 HYDRAULIC GANG MOWER**

(Serial No. 010001 – )

## **OPERATOR'S MANUAL**

**John Deere  
Lawn & Grounds Care Division  
OMMT1758 D4**

North American Version  
Litho in U.S.A  
English



## TABLE OF CONTENTS

---

---

	Page
<b>Safety</b>	
Safety-Alert Symbol.....	1
Machine Safety Labels .....	1
Operational Decals (Electro-hydraulic Option) .....	3
Operational Decals (Electro-hydraulic Option) .....	4
<b>Controls</b>	
Function of Remote Controls (Optional Electro-Hydraulic (EH)).....	5
Troubleshooting Controls.....	6
<b>Installing Mower</b>	
Park Tractor Safely .....	7
Avoid High Pressure Fluids .....	7
Tractor Specifications .....	8
Install Hydraulic Lines (5 or 7-Gang).....	9
Electrical .....	10
Detaching Mower.....	11
<b>Operating Mower</b>	
Operator Training Required.....	12
Check Ground Conditions.....	12
Avoid Injury From Contacting Blades .....	13
Keep Riders Off .....	13
Wear Appropriate Clothing .....	13
Stay Clear of Rotating Drivelines.....	14
Park Safely .....	14
Help Prevent Serious Or Fatal Accidents .....	14
Avoid Tipping.....	15
Check Wheel Bolts .....	15
Starting Tractor Engine.....	16
Cutting Units .....	17
Adjusting Height-of-cut .....	18
Adjusting Reel-to-bed Knife Clearance.....	23
Backlapping Cutting Units.....	25
Backlap Valve (Optional) .....	27
Readjust Reel-to-bed Knife Clearance .....	29

---

**<https://www.ebooklibonline.com>**

Hello dear friend!

Thank you very much for reading.

Enter the link into your browser.

The full manual is available for immediate download.

**<https://www.ebooklibonline.com>**

## TABLE OF CONTENTS

	Page
<b>Operating Mower (Continued)</b>	
Cutting Taller Grass .....	29
Grinding The Bed Knife.....	29
Replacing Bed Knife.....	30
Mercury Switches.....	31
Basics of Mowing Operation .....	32
Lifting Cutting Units .....	34
<b>Parts</b>	
<b>WE RECOMMEND JOHN DEERE</b> quality parts and lubricants, available at your John Deere dealer. ....	35
<b>Optional Equipment</b>	
The following attachments are available from your John Deere dealer.....	36
<b>Service Safely</b>	
Practice Safe Maintenance .....	37
Wear Appropriate Clothing.....	38
Stay Clear of Rotating Drivelines .....	38
Handling Waste Product and Chemicals.....	38
Avoid High Pressure Fluids.....	39
<b>Service Mower</b>	
Daily Service Required.....	40
Periodic Service Required.....	40
Service Record.....	42
Avoid Injury From Contacting Blades.....	43
Keep Service Area Clean.....	44
Grease .....	45
Perform Lubrication And Maintenance.....	46
Mower Hydraulic Oil .....	46
Cutting Unit Gear Case Grease .....	46
Cutting Unit Gear Case .....	46
Before Each Use .....	47
Hood.....	47
Changing Hydraulic Oil .....	48
Gear Case Oil Change.....	48

## TABLE OF CONTENTS

---

---

	Page
<b>Service Mower (Continued)</b>	
Daily.....	49
Every 8 hours.....	50
Every 25 hours.....	52
After First 50 Hours of Use.....	53
Every 500 Hours.....	53
Yearly or Every 500 Hours.....	53
Removing Suction Element.....	54
Replacing Oil Filter.....	55
Replacing Return Filter.....	55
Lubricate Weekly.....	56
Hydraulic Routings.....	56
Hydraulic Routing—Rear Center Cutting Unit.....	57
Hydraulic Routing—Rear Right-hand Cutting Unit.....	58
Hydraulic Routing—Rear Left Hand Cutting Unit.....	59
Hydraulic Routing—Right Center Cutting Unit.....	60
Hydraulic Routing—Front Right-Hand Cutting Unit.....	61
Hydraulic Routing—Front Left-Hand Side.....	62
Hydraulic Routing—Left Center Cutting Unit (Optional 7-Gang).....	63
Hydraulic Routing—Valve Block (Optional 7-Gang Electro-Hydraulic(EH).....	64
Hydraulic Routing—Flow Divider (Optional 7-Gang Electro-Hydraulic (EH).....	65
Hydraulic Routing—Electro Hydraulic Valve.....	66
Hydraulic Routing—Electro-Hydraulic Valve Continued.....	67
Hydraulic Routing—Tee Union (Optional 7-Gang).....	68
<b>Service Miscellaneous</b>	
Checking Tire Pressure.....	69
Adapter Piece For Jackstand (optional).....	70
Electrical.....	71
Electrical Plug Sockets.....	71
Electrical Routing.....	72

---

## TABLE OF CONTENTS

	Page
<b>Technical Information</b>	
Service Recommendations .....	74
O-ring Boss Fittings.....	74
Flat Face O-ring Seal Fittings .....	75
Metric Bolt And Cap Screw Torque Values.....	76
Metric Bolt And Cap Screw Torque Values (Continued): .....	77
5 Gang Standard Component Locations And Specifications .	85
5 Gang Standard Electrical Schematic .....	86
5 Gang Standard Hydraulic Schematic.....	87
5 Gang Standard Hydraulic Lift Circuit.....	88
5 Gang Standard Hydraulic Reel Motor Circuit .....	89
5 Gang Electro-hydraulic (E-H) Component Locations And Specifications.....	90
5 Gang Electro-hydraulic (E-H) Electrical Schematic.....	91
5 Gang Electro-hydraulic (E-H) Hydraulic Schematic.....	92
5 Gang Electro-hydraulic (E-H) Hydraulic Schematic With Back-lap Valve Option.....	93
5 Gang Electro-hydraulic (E-H) Hydraulic Lift Circuit .....	94
5 Gang Electro-hydraulic (E-H) Trim Mowing Reel Motor Circuit—rear Reel Units 4 And 5 Only .....	95
7 Gang Standard Component Locations And Specifications.....	96
7 Gang Standard Electrical Schematic .....	97
7 Gang Standard Hydraulic Schematic.....	98
7 Gang Standard Hydraulic Lift Circuit.....	99
7 Gang Standard Hydraulic Reel Motor Circuit .....	100
7 Gang Electro-Hydraulic (E-H) Component Locations And Specifications.....	101
7 Gang Electro-Hydraulic (E-H) Electrical Schematic With Optional Oil Cooler And Fan.....	102
7 Gang Electro-Hydraulic (E-H) Hydraulic Schematic.....	103
7 Gang Electro-Hydraulic (E-H) Hydraulic Schematic With Back-lap Valve Option.....	104
7 Gang Electro-Hydraulic (E-H) Hydraulic Reel Motor Circuit.....	106
5 And 7 Gang Optional Oil Cooler Hydraulic Circuit .....	107

## TABLE OF CONTENTS

---

---

	Page
<b>Troubleshooting Chart</b>	
Using Troubleshooting Chart.....	108
Corrugated or ribbed appearance to turf (Marcelling).....	108
Grass buildup on rear rollers .....	108
Reels not running or run at reduced RPM.....	109
Some reels or all reels running backwards.....	109
Reels do not float properly.....	109
Mower reels squeal.....	110
PTO Hookup makes an excessive noise in turns. ....	110
PTO driveline comes apart or bottoms out.....	110
Motor seal failure on an of the cutting units.....	110
Left and right cutting units will not raise or lower .....	110
Oil leaks from cutterhead gear case.....	110
Hydraulic System.....	111
Drive gear and driven gear on each cutting unit may wear prematurely. ....	111
Slow Hydraulic Lift Function .....	111
Noisy pumps.....	111
Oil Overheats.....	112
Foaming Oil .....	112
No Pump Output.....	112
Pump Noise .....	113
Other Noise.....	113
Hydraulic Lift Cannot be Lifted or Lowered (Standard Machine) .....	113
Optional Hydraulic Lift Won't lift or Lift Speed Slow.....	114
Lift Arm Drops Fast.....	114
Electrical System .....	115
Entire Electrical System Does Not Work .....	115
<b>Storing Machine</b>	
Storing The Machine.....	116
Removing Machine From Storage .....	117
<b>Assembly</b>	
Unpack Shipping Crate.....	118
5-Gang Standard Mower Installation .....	119

---

## TABLE OF CONTENTS

---

---

	Page
<b>Assembly (Continued)</b>	
Installation 5-Gang Mower .....	122
Electrical Plug Sockets.....	127
Install Front Roller (Optional) .....	128
Install Scraper Blade (optional).....	130
Install Grass Deflector (Optional).....	132
Install Reel Motor .....	132
Install Cross Cutting Kit (Optional).....	134
Mowing without Cross Cutting Kit .....	135
Mowing with Cross Cutting Kit .....	135
Cross Cutting Front Lift Arms.....	136
Mowing With Cross Cutting (Front).....	136
Installation Cross cutting 7-Gang Lift Arms.....	136
Mowing with Cross Cutting (7-Gang) .....	137
Mowing Without Cross Cutting Kit (7-Gang) .....	138
Adapter Piece For Jackstand.....	138
Checking Tire Pressure.....	139
<b>Specifications</b>	
Capacities .....	140
Dimensions .....	140
Tires .....	141
Cutting Units.....	141
Frequency of Clip at 1.6 km/h (1.0 mph):.....	142
Order Form.....	143

All information, illustrations and specifications in this manual are based on the latest information at the time of publication. The right is reserved to make changes at any time without notice.

COPYRIGHT© 1994  
John Deere Horicon Works  
All rights reserved

# SAFETY SIGNS

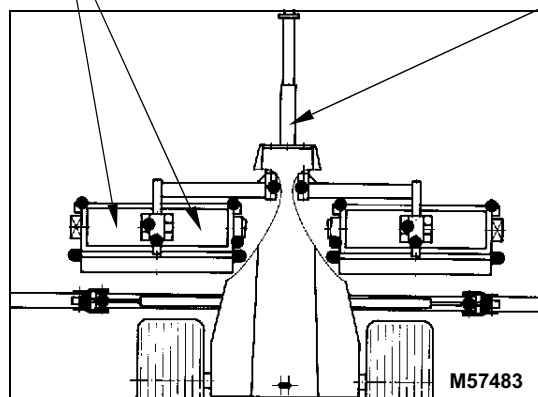
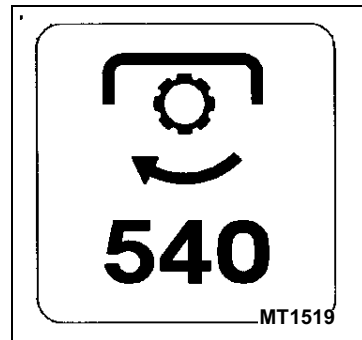
## Safety-Alert Symbol

Read and recognize safety information. Be alert to the potential for personal injury when you see this safety-alert symbol.

On your machine safety labels, the words DANGER, WARNING, and CAUTION are used with this safety-alert symbol. DANGER identifies the most serious hazards. In this manual, the word CAUTION and this symbol call attention to safety messages.

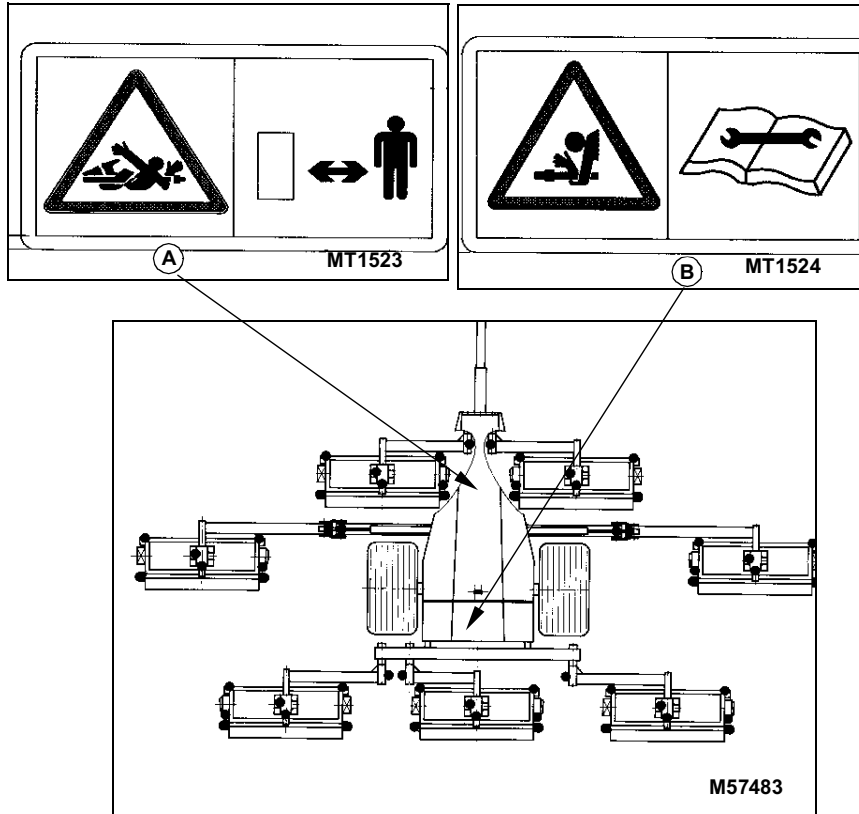


## Machine Safety Labels



## SAFETY SIGNS

---

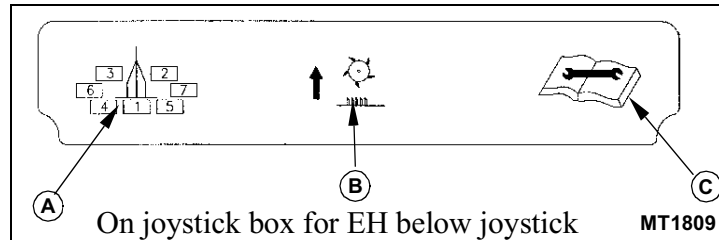


Decal (A) is a PTO entanglement decal warning that care is to be heeded when working near the PTO shaft and that the PTO should be disengaged and engine shut off when working in that area.

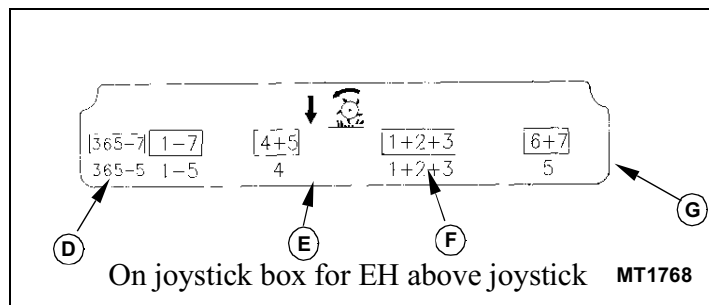
Decal (B) is to alert users of the gang mower that they should read the manual before operating or servicing the machine.

## SAFETY SIGNS

### Operational Decals (Electro-hydraulic Option)



This is a general reference decal. (A) (Used on the 5 & 7 gang Electro-hydraulic option) indicates the positioning of the cutting units. (B) indicates that pushing up on any of the control box levers will raise the cutting units. (C) indicates to read the operator's manual.

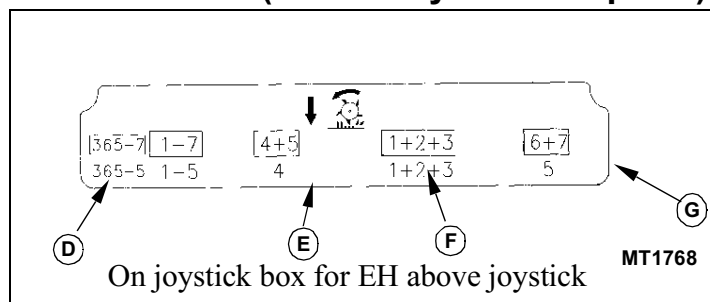


Another decal on the joystick box gives operating directions, (Also an option for the 5 & 7 gang Electro-hydraulic configuration). The top line of (D) shows that pulling the lever down engages all the cutting units in a 7-gang configuration, if the other 3 levers are down in detent position. The bottom line of (D) indicates a 5-gang EH and will lower five cutting units if that option is chosen.

Letter (E) shows which cutting units can be lowered and reels engaged depending on the option chosen. Top line for units 4 & 5, for a 7-gang and bottom line for a 5-gang cutting unit 4.

## SAFETY SIGNS

### Operational Decals (Electro-hydraulic Option)



**NOTE: The joystick in (D) position must be in the down or detent position to operate other levers individually.**

Letter (F) shows which cutting units can be lowered and reels engaged. The top line, for a 7-gang configuration and the bottom line for a 5 gang EH configuration will engage cutting units 1-2-3.

Letter (G) shows which cutting units can be lowered and reels engaged. The top line with lower and engage reels 6 & 7 in a 7-gang option. The bottom line will lower and engage reel 5 in the 5-gang EH option.

## CONTROLS

### Function of Remote Controls (Optional Electro-Hydraulic (EH))

Lower cutting units when not in use or latch in up or transport position.

**C CAUTION** This system will lower units at any time, even with the engine off and PTO disengaged.

The remote controls raise and lower reel assemblies from a convenient position on the tractor.

With the PTO running, the left hand lever (A) raises and lowers all of the cutting units.

Lever (B) raises and lowers the two front (4 & 5) cutting units or #4 with 5-gang option.

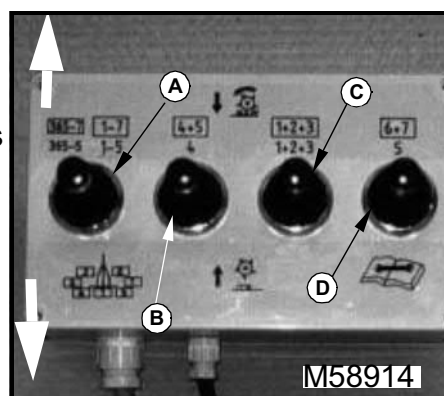
The right hand lever (C) raises and lowers the middle (1-2-3) cutting units.

The far right hand lever (D) raises the optional 6 and 7 cutting units or #5 with 5 gang option.

**NOTE: For individual section control, basic joystick must be in down or “detent” position.**

If controls fail to raise and lower cutting units, check the following:

1. PTO not running.
2. Hydraulic oil level.
3. Transport locks to see if they are engaged.
4. Relief valve in electro-hydraulic lift lower valve to see that it is functioning properly.
5. Optional 7 gang: Units 6 & 7 don't lower-mercury switch on arms doesn't function or over center solenoid valve not activating.



# CONTROLS

---

---

## Troubleshooting Controls

If cutting unit assemblies fail to raise or lower:

1. Transport latches are engaged.
2. Check hydraulic lines at connectors on rear of traction unit. Look for leaks, cuts, gouges, kinks, and signs of wear.
3. Check traction unit hydraulic oil level. Fill as necessary.
4. PTO not engaged.
5. Check for power to solenoid valves in E-H valve or over center valve.
6. Check if main harness to tractor is plugged in.

## INSTALLING

---

---

### SAFETY

#### **Park Tractor Safely**

- Stop vehicle on a level surface, not on a slope.
- Disengage PTO
- Engage the park brake.
- STOP the engine.
- Remove the key.
- Before you leave the operator's seat, wait for engine and all moving parts STOP.
- Lower cutting units or latch in UP position when not operating.



#### **Avoid High Pressure Fluids**

- Escaping fluid under pressure can penetrate the skin causing serious injury. Avoid the hazard by relieving pressure before disconnecting hydraulic or other lines. Tighten all connections before applying pressure.
- Search for leaks with a piece of cardboard. Protect hands and body from high pressure fluids.
- If an accident occurs, see a doctor immediately. Any fluid injected into the skin must be surgically removed within a few hours or gangrene may result. Doctors unfamiliar with this type of injury should reference a knowledgeable medical source. Such information is available from Deere & Company Medical Department in Moline, Illinois, U.S.A.

## INSTALLING

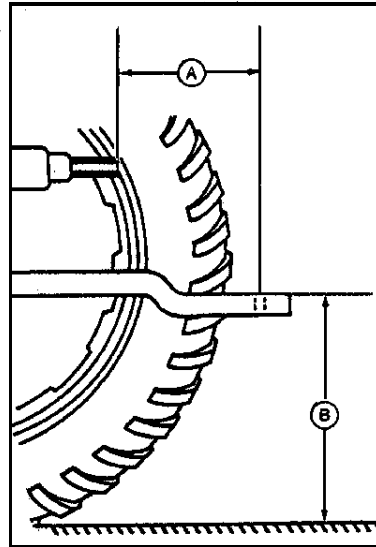
### Tractor Specifications

The mower can be attached to any tractor having a drawbar and 25 PTO horsepower for 5-gang and 35 hp for 7-gang minimum that conforms to ASAE-SAE standards of 356 mm (14 in.) (A) from PTO shaft to center hole in drawbar. The tractor must have a PTO speed of 540 rpm.

Drawbar height (B) should be set to conform to ASAE-SAE standards of 330 to 508 mm (13 to 20 in.).

The tractor should be equipped with turf pattern tires to minimize damage to fine turf areas. Tire pressure should be checked regularly, as this will have a considerable effect on steering traction and associated turf damage.

At least one SCV will be required to operate lift system; two are recommended. (Must have a float detent position.)



## INSTALLING

---

---

### Install Hydraulic Lines (5 or 7-Gang)

**NOTE:** Hydraulic lines must be connected to an outlet having float capability. (See tractor operator's manual for proper operation of the float position.) If float position is not available, cutting units cannot follow ground contour.

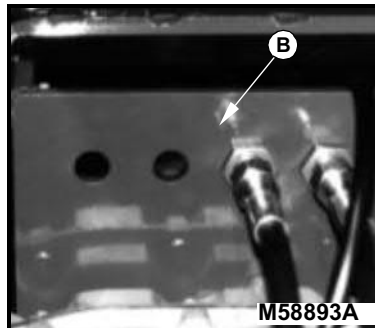
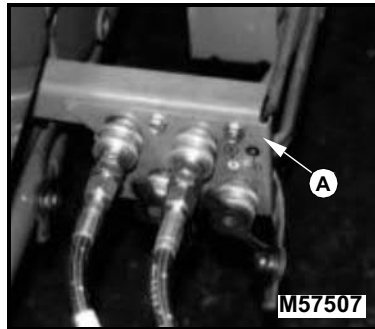
Because of the variety of SCV positions on various tractors the user must supply hoses from the manifold position on the 365-gang mower to tractor SCV's.

Ideally use a tractor with 2 SCV's with float position

1. Route hydraulic lines in the safest manner, making sure there are no sharp edges on the brackets that could damage hydraulic lines.
2. Connect user provided hydraulic lines from tractor outlet (A) to the feed through fitting bracket (B) on the gang mower.

**NOTE:** If your tractor has 2-SCV's then connect two hoses to the feed through bracket (B).

If setting up to lift cutting units together as a 5-gang replace manifold fittings with Tees (customer supplied).



## INSTALLING

**NOTE:** If your tractor is set up with only 1-SCV with “float” then run your hoses from the lift cylinder ports to a customer installed “TEE” at the feed through bracket (B). Then run your Hydraulic hoses to the tractor SCV.

**NOTE:** If operating as 7-gang lifting together, replace manifold fittings with a cross fitting for single lift and float.



3. Start tractor and operate controls. Check for hydraulic leaks before operating mower.

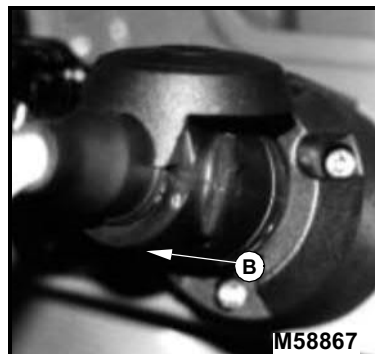
### Electrical

Install plug socket on a suitable place at the backside of the tractor (A).

Connect the brown wire with the ground (-) wire of the tractor. Connect the red (+) wire with the ignition lock via a fuse (See tractor manual for connecting to tractor electrical circuit.)



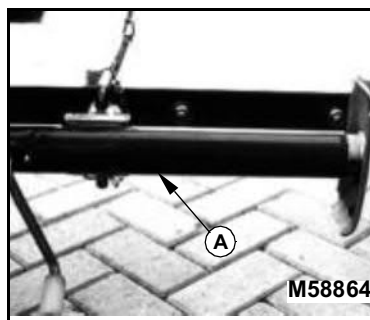
Connect plug from mower cable (B) with plug socket.



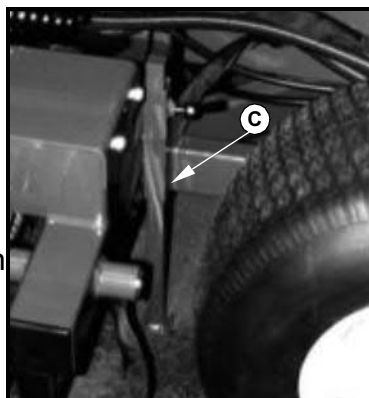
## INSTALLING

### Detaching Mower

1. Remove jackstand (A) from storage location. Fasten jackstand in vertical position.



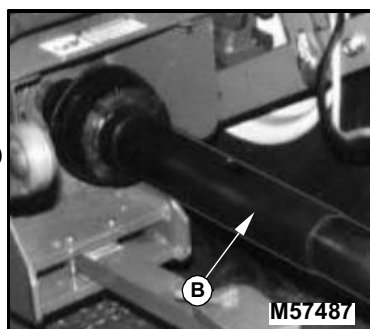
2. Lower rear support (C), located on frame right-hand rear of machine to ground and lock in place



**C CAUTION:** To avoid injury from escaping hydraulic oil under pressure, relieve the pressure in the system by stopping the engine and operating all hydraulic control valves.

3. Remove hydraulic lines from tractor. Put dust covers on ends of hydraulic lines to avoid contamination of hydraulic system

4. Remove hitch and disconnect PTO driveline (B).



# OPERATING THE MOWER

---

## SAFETY

### Operator Training Required

- Study operation section of this manual before operating the machine.
- Operate machine in an open, unobstructed area under the direction of an experienced operator.
- Learn the use of all controls.
- Operator experience is required to learn the moving, stopping, turning and other operating characteristics of the machine.



### Check Ground Conditions

- Clear mowing area of objects that might be thrown. Keep people out of mowing area. Stop machine if anyone enters the area.
- Study mowing area. Set up safe mowing pattern. Do not mow under conditions where traction or stability is doubtful.
- First, test drive area with PTO OFF and cutting units lowered. Slow down when you travel over rough ground.
- If you hit an object, stop the machine and inspect it. Make repairs before you operate. Keep machine and attachments properly maintained and in good working order. Keep all shields and guards in place.
- DO NOT leave machine unattended when it is running.
- Only operate during daylight or with good artificial light.
- Be careful of traffic when operating near or crossing roadways.



**Suggest:**

**If the above button click is invalid.**

**Please download this document**

**first, and then click the above link**

**to download the complete manual.**

**Thank you so much for reading**

## OPERATING THE MOWER

---

### Avoid Injury From Contacting Blades



Before you dismount to unplug or adjust mower:

- STOP the engine.
- LOCK the park brake.
- DISENGAGE PTO to stop reels.
- Remove key from tractor.
- Wait for reels to STOP.
- Keep hands, feet and clothing away from cutting units when engine is running.
- DISENGAGE PTO to stop reels when you are not using mower.
- Lower cutting units or latch in UP position when not operating.

### Keep Riders Off

- Only allow the operator to pull the machine. Keep riders off.
- Riders on the machine or attachment may be struck by foreign objects or thrown off the machine causing serious injury.

### Wear Appropriate Clothing



- Wear close fitting clothing and safety equipment appropriate for the job.
- Loud noise can cause impairment or loss of hearing, wear a suitable protective device such as earplugs.
- Do not wear radio or music headphones while operating the machine. Safe operation requires your full attention.

**<https://www.ebooklibonline.com>**

Hello dear friend!

Thank you very much for reading.

Enter the link into your browser.

The full manual is available for immediate download.

**<https://www.ebooklibonline.com>**