

**JOHN DEERE**  
**WORLDWIDE COMMERCIAL & CONSUMER**  
**EQUIPMENT DIVISION**

---

**Blade**  
**60-Inch**

OMTCU28183 B0

**OPERATOR'S MANUAL**



**JOHN DEERE**

**Original Instruction**

All information, illustrations and specifications in this manual are based on the latest information at the time of publication. The right is reserved to make changes at any time without notice.

**COPYRIGHT© 2010**  
**Deere & Co.**

**John Deere Worldwide Commercial and Consumer Equipment Division**

**All rights reserved**  
**Previous Editions**  
**COPYRIGHT©**

**Export Version**  
**Litho in U.S.A.**

# INTRODUCTION

## Introduction

### Using Your Operator's Manual

Read this entire operator's manual, especially the safety information, before operating.

This manual is an important part of your machine. Keep all manuals in a convenient location so they can be accessed easily.

Use the safety and operating information in the attachment operator's manual, along with the machine operator's manual, to operate and service the attachment safely and correctly.

If your attachment manual has a section called Preparing the Machine, it means that you will have to do something to your tractor or vehicle before you can install the attachment. The Assembly and Installation sections of this manual provide information to assemble and install the attachment to your tractor or vehicle. Use the Service section to make any needed adjustments and routine service to your attachment.

If you have any questions or concerns with the assembly, installation, or operation of this attachment, see your local John Deere dealer or call the John Deere Customer Contact Center at 1-800-537-8233 for assistance.

Warranty information on this John Deere attachment can be found in the warranty that came with your John Deere tractor or vehicle.

### Machine Use

This machine is designed solely for use in customary snow or debris moving or similar operation. Use in any other way is considered as contrary to the intended use.

The manufacturer accepts no liability for damage or injury resulting from this misuse, and these risks must be borne solely by the user. Compliance with and strict adherence to the conditions of operation, service and repair as specified by the manufacturer also constitute essential elements for the intended use.

This machine should be operated, serviced and repaired only by persons familiar with all its particular characteristics and acquainted with the relevant safety rules (accident prevention). The accident prevention regulations, all other generally recognized regulations on safety and occupational medicine and the road traffic regulations must be observed at all times.

Setting fuel delivery beyond published factory specifications or otherwise overpowering will result in loss of warranty protection for this machine.

Any arbitrary modifications carried out on this machine will relieve the manufacturer of all liability for any resulting damage or injury.

## Product Identification

### Product Compatibility

The 60-Inch Front Blade is compatible with 1400 and 1500 series front mowers.

### Record Identification Numbers

#### 60-Inch Blade

PIN (080001-)

If you need to contact an Authorized Service Center for information on servicing, always provide the product model and serial number.

You will need to locate the model and serial numbers for the mower deck and record the information in the spaces provided below.

DATE OF PURCHASE:

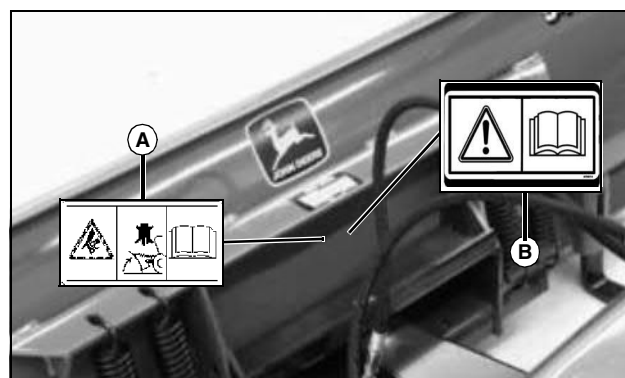
DEALER NAME:

DEALER PHONE:

PRODUCT SERIAL NUMBER (A):

## Safety Labels

### Safety Labels Location



MT4074, M122278, MX7235A

A- M122278

B- MT4074



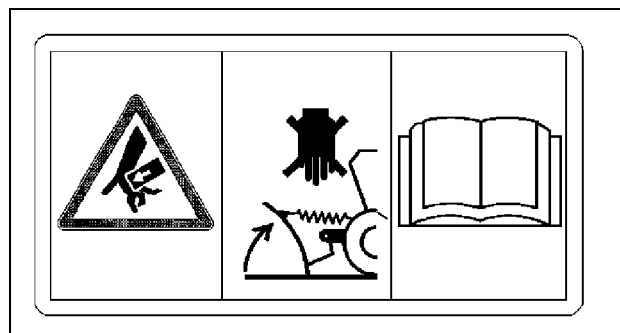
### Pictorial Safety Signs

At several important places on this machine safety signs are affixed intended to signify potential danger. The hazard is identified by a pictorial in a warning triangle. An adjacent pictorial provides information how to avoid personal injury.

These safety signs, their placement on the machine and a brief explanatory text are shown in this Safety section.

There can be additional safety information contained on parts and components sourced from suppliers that is not reproduced in this operator's manual.

### Avoid Injury From Jammed Blade - M122278

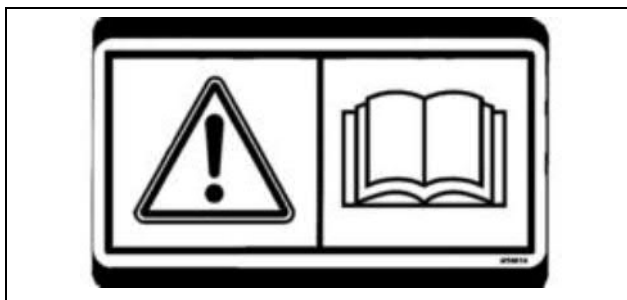


M122278

- Jammed blade can return suddenly.
- Control spring force before removing jam.
- Read operator's manual.

# SAFETY

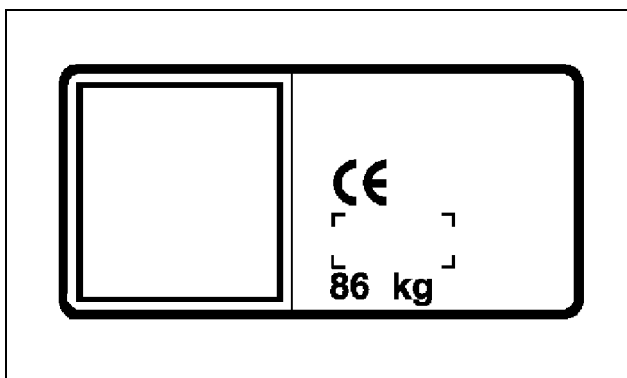
## CAUTION MT4074



MT4074

- Read operator's manual.
- Empty tank before removing attachment.
- Winterize system when finished each day when operating in near freezing conditions.
- Check system is at 0 PSI (0 kPa) before starting.

## CE Certification Label - TCU18524



TCU18524

This information is provided on your machine to indicate the machine is certified and in compliance with European Directive Standards 2006/42/EC.

## Safety

### Read Safety in Machine Operator's Manual

Read the general safety operating precautions in your machine operator's manual for additional safety information.

### Operating Safely

- This attachment is intended for light duty moving of snow or other light, loose material. Do not misuse this equipment.
- Read, understand and follow all instructions in the manual and on the vehicle and attachment before operating.
- Only allow responsible adults who are familiar with the instructions to operate the machine.
- Inspect machine and attachment before you operate. Be sure hardware is tight. Repair or replace damaged, badly worn or missing parts. Be sure guards and shields are in good condition and fastened in place. Make any necessary adjustments before you operate.
- Check brake action before you operate. Adjust or service brakes as necessary.

- Stop machine if anyone enters the area.
- If you hit an object, stop and inspect the machine. Make repairs before you operate. Keep machine and attachments properly maintained and in good working order.
- Before operating, make sure all connections are tight and blade responds properly to controls. Check all connections periodically for tightness.
- Do not leave machine unattended when it is running.
- Only operate during daylight or with good artificial light.
- Be careful of traffic when operating near or crossing roadways.
- Do not wear radio or music headphones while operating the machine. Safe operation requires your full attention.
- Transport the blade with it raised to the highest position.
- Be aware of the position of the blade ends. Blade makes a wide arc when turning.
- Be aware of the possibility of objects hidden under the snow. Avoid holes, rocks, roots and other obstructions.
- Avoid the edges of ditches and banks to reduce the possibility of loss of control.
- When plowing material into a pile, travel in reverse before raising blade.
- Do not ram into a pile of material; slow down before contact is made.
- Lower attachment completely before leaving operator's seat.
- Lower any attachment completely to the ground or to an existing attachment mechanical stop before servicing the attachment. Disengage all power and stop the engine. Lock park brake and remove the key.
- Keep all parts in good condition and properly installed. Fix damage immediately. Replace worn or broken parts. Replace all worn or damaged safety and instruction decals.

### Parking Safely

1. Stop machine on a level surface, not on a slope.
2. Lower attachments to the ground.
3. Lock the park brake.
4. Stop the engine.
5. Remove the key.
6. Wait for engine and all moving parts to stop before you leave the operator's seat.
7. Close fuel shut-off valve, if your machine is equipped.
8. Disconnect the negative battery cable or remove the spark plug wire (for gasoline engines) before servicing the machine.

### Checking Area to be Cleared

- Thoroughly inspect the area where the equipment is to be used and remove all doormats, sleds, boards, wires and other foreign objects.
- Keep people and pets out of the work area. Keep children indoors when using blade. Turn the machine off if anyone enters the area.
- Be extremely careful if you must clear snow from a gravel surface. Adjust the blade height to clear a gravel surface.

### Avoid Injury From Hitting Obstructions

- Raise attachment when you drive between jobs.
- Slow down when you remove snow. Be cautious on slopes, when you make turns or when close to buildings or trees.

**<https://www.ebooklibonline.com>**

Hello dear friend!

Thank you very much for reading.

Enter the link into your browser.

The full manual is available for immediate download.

**<https://www.ebooklibonline.com>**

**<https://www.ebooklibonline.com>**

Hello dear friend!

Thank you very much for reading.

Enter the link into your browser.

The full manual is available for immediate download.

**<https://www.ebooklibonline.com>**

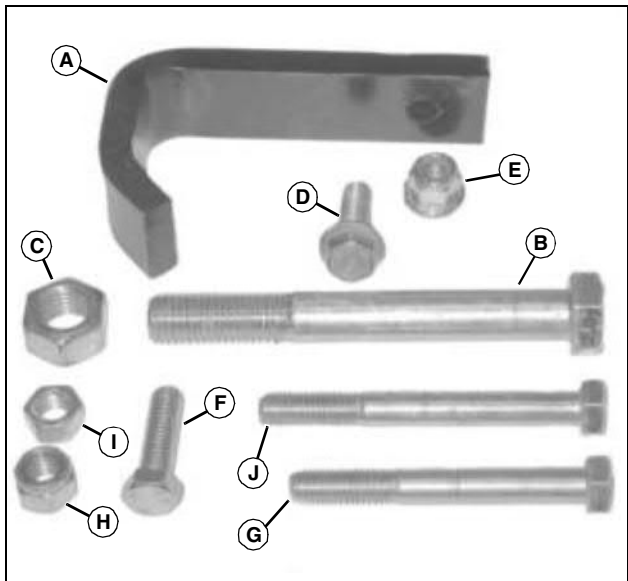
# ASSEMBLY

## Assembly

### Identify Parts

Qty.	Description
1	Blade Assembly
1	Cylinder Assembly With Hoses
1	Pivot Frame Bracket

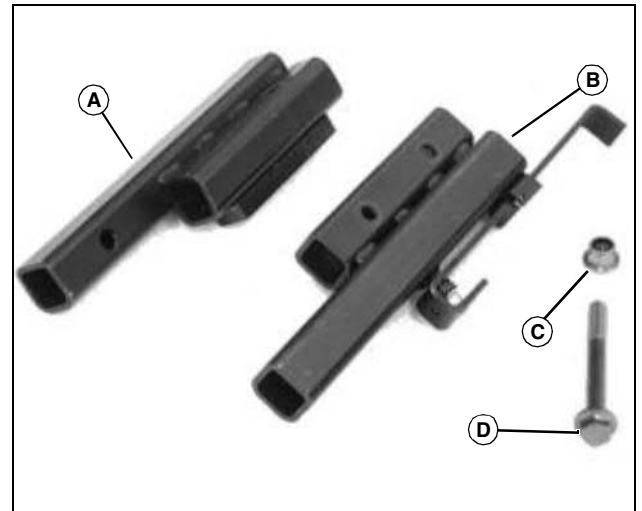
### Bag of Parts



MX16724

Qty.	Description	Size
2	Skid Shoe (A)	
1	Hex Head Capscrew (B)	3/4 x 6 in.
2	Hex Nut (C)	3/4 in.
2	Hex Head Flange Capscrew (D)	M12 x 35
2	Locknut, Flange Head (E)	M12
1	Hex Head Capscrew (F)	M12 x 40
1	Hex Head Capscrew (G)	1/2 x 4 in.
2	Locknut (H)	1/2 in.
2	Hex Nut (I)	M12
1	Hex Head Capscrew (J)	1/2 x 4-1/2 in.

### Lift Arm Kit



MX7264A

Qty.	Description
1	Left Lift Arm (A)
1	Right Lift Arm (B)
4	Locknut, M12 (C)
4	Hex Head Screw, M12 x 100 (D)

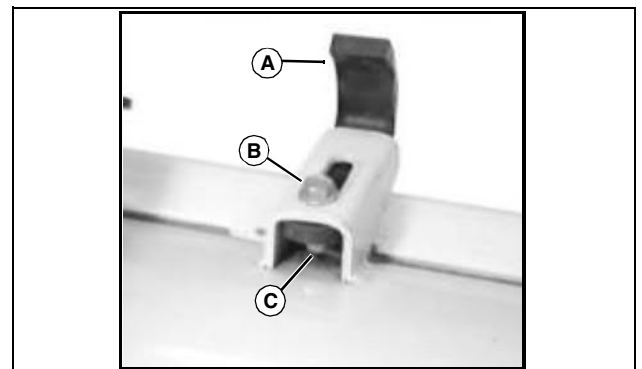
### Install Skid Shoes



**CAUTION: Avoid injury! Machine component or attachment is heavy. Use a safe lifting device with correct load capacity rating to lift, install or remove component or attachment.**

1. Lay blade front-side down on ground.

**NOTE: Both blade skid shoes must be set at the same height. Make skid shoe adjustments before using blade.**



M78809

2. Install skid shoes (A) to blade from bottom of blade.

3. Secure to slotted blade bracket with M12x35 flange head screw (B) and M12 flanged locknut (C).

- Install screw from the outside of the slotted bracket and the locknut to the inside of the slotted bracket.



**Suggest:**

**If the above button click is invalid.**

**Please download this document**

**first, and then click the above link**

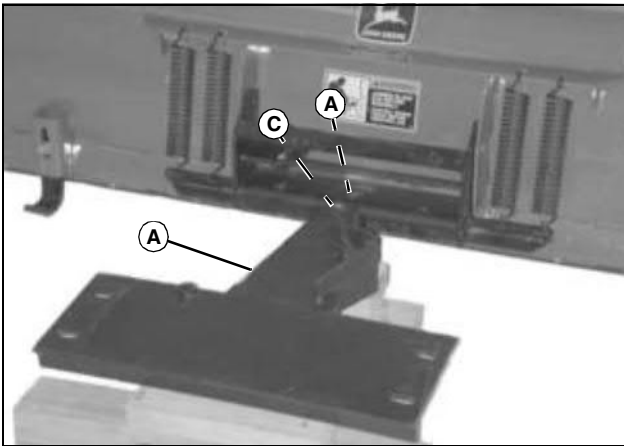
**to download the complete manual.**

**Thank you so much for reading**

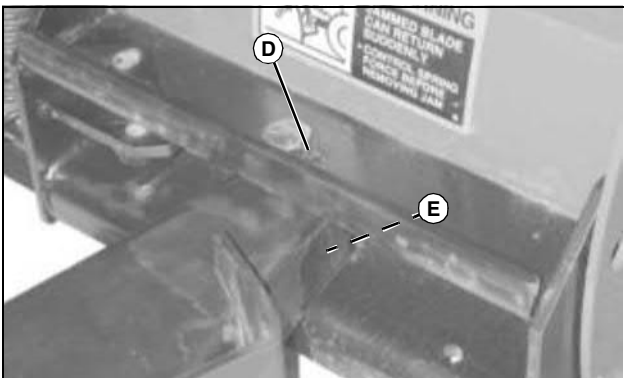
# ASSEMBLY

4. Tighten with 18 mm socket and open-end wrench.

## Install Pivot Frame Bracket

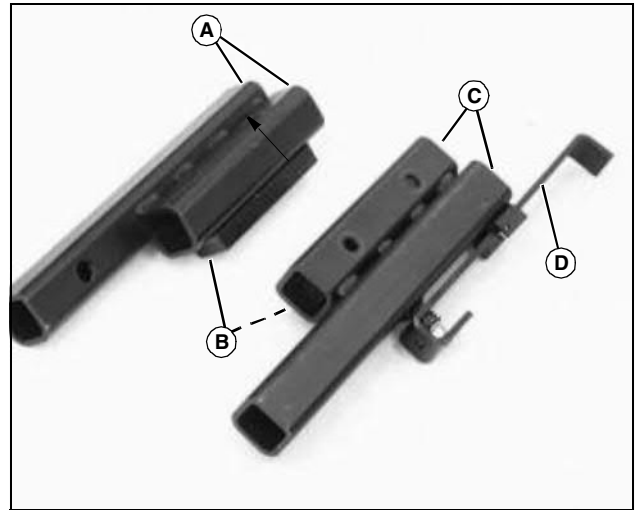


1. Place pivot frame bracket (A) on wood blocks with flat surface up.
2. Stand blade up and slide into position in front of the pivot frame bracket. Align hole in blade frame (C) with hole in pivot frame bracket (B).

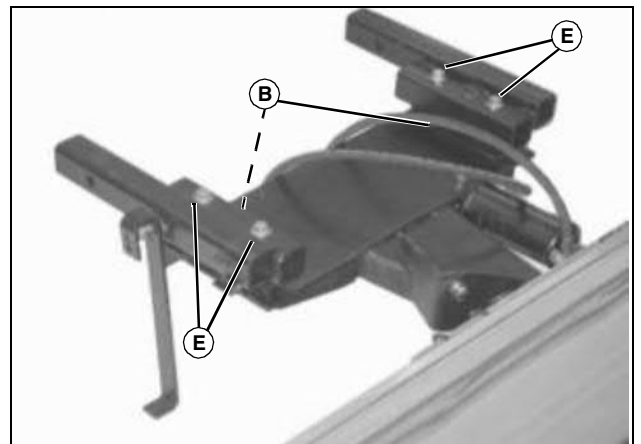


3. Install 3/4 x 6 in. cap screw (D) from the top through the blade frame and the pivot frame bracket. Install one 3/4 in. hex nut from the underside (E) of the pivot bracket.
4. Tighten hex nut with 1-1/8 in. socket just enough to allow the bracket to pivot freely.
5. Install the second 3/4 in. nut against the first installed hex nut. Tighten hex nuts together to 203 N•m (150 lb-ft).

## Install Blade Lift Arms



1. Identify right and left blade lift arms:
  - Left lift arm (A) with welded block (B) on bottom.
  - Right lift arm (C) with welded block on bottom and support stand (D) to the outside of the lift arm.



2. Place lift arms on correct side of pivot bracket with welded block (B) to bottom. Install two M12 x 100 hex head screws (E) from the top through each lift arm and the pivot bracket.
- NOTE: Hardware securing blade lift arms is not tightened until the blade is installed on machine.**
3. Fasten from the bottom with two M12 locknuts. Install with 18 mm socket, but do not tighten.
  4. Repeat on other side.