

JOHN DEERE
WORLDWIDE COMMERCIAL & CONSUMER
EQUIPMENT DIVISION

Mower Deck
60 Inch 7-Iron

OMM165250 E1

OPERATOR'S MANUAL



JOHN DEERE

Original Instruction

All information, illustrations and specifications in this manual are based on the latest information at the time of publication. The right is reserved to make changes at any time without notice.

COPYRIGHT© 2011
Deere & Co.

John Deere Worldwide Commercial and
Consumer Equipment Division

All rights reserved
Previous Editions

COPYRIGHT© 2006, 2007, 2009, 2010

North American Version
Litho in U.S.A.

Introduction

Table of Contents

Introduction.....	1
Product Identification.....	1
Safety Labels.....	2
Safety.....	2
Preparing Vehicle.....	5
Assembly.....	5
Installing.....	7
Removing and Storing.....	9
Operating.....	11
Service.....	13
Troubleshooting.....	19
Specifications.....	20
Getting Quality Service.....	20

Introduction

Using Your Operator's Manual

Read this entire operator's manual, especially the safety information, before operating.

This manual is an important part of your machine. Keep all manuals in a convenient location so they can be accessed easily.

Use the safety and operating information in the attachment operator's manual, along with the machine operator's manual, to operate and service the attachment safely and correctly.

If your attachment manual has a section called Preparing the Machine, it means that you will have to do something to your tractor or vehicle before you can install the attachment. The Assembly and Installation sections of this manual provide information to assemble and install the attachment to your tractor or vehicle. Use the Service section to make any needed adjustments and routine service to your attachment.

If you have any questions or concerns with the assembly, installation, or operation of this attachment, see your local John Deere dealer or call the John Deere Customer Contact Center at 1-800-537-8233 for assistance.

Warranty information on this John Deere attachment can be found in the warranty that came with your John Deere tractor or vehicle.

Product Identification

Product Compatibility

These mower decks are compatible with X700 Ultimate Series tractors.

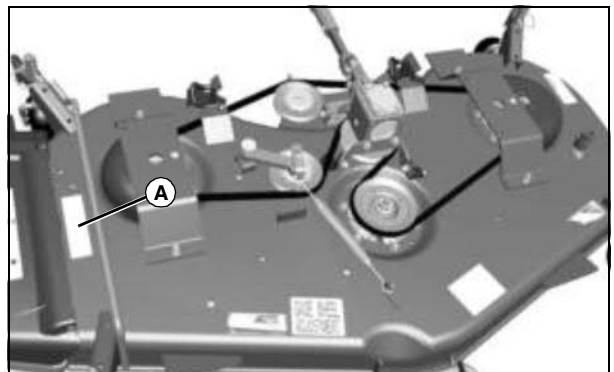
Record Identification Numbers

Mower

60-Inch 7-Iron Serial No. (030001 -)

If you need to contact an Authorized Service Center for information on servicing, always provide the product model and serial number.

You will need to locate the model and serial number for the mower and record the information in the spaces provided below.



MX46240

DATE OF PURCHASE:

DEALER NAME:

DEALER PHONE:

PRODUCT SERIAL NUMBER (A):

Safety Labels

Safety Labels



Understanding The Machine Safety Labels

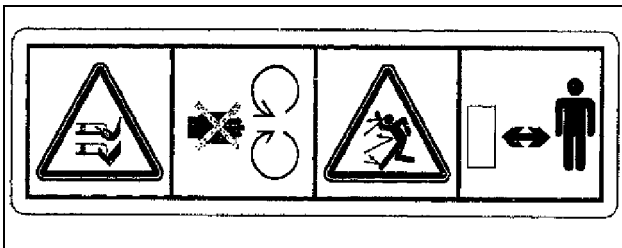
The machine safety labels shown in this section are placed in important areas on your machine to draw attention to potential safety hazards.

On your machine safety labels, the words DANGER, WARNING, and CAUTION are used with this safety-alert symbol. DANGER identifies the most serious hazards.

The operator's manual also explains any potential safety hazards whenever necessary in special safety messages that are identified with the word, CAUTION, and the safety-alert symbol.

There can be additional safety information contained on parts and components sourced from suppliers that is not reproduced in this operator's manual.

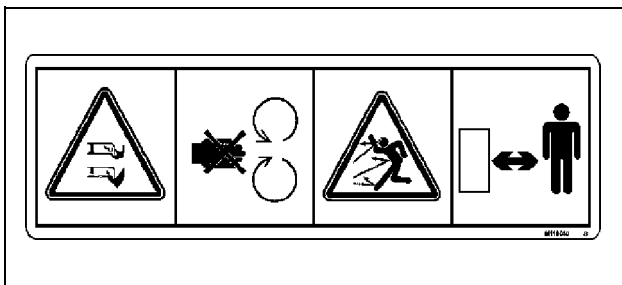
Safety label M138631



M138631

- Do not put hands or feet under or into mower when engine is running.
- Do not operate mower without discharge chute or entire grass catcher in place.
- Keep away from machine while engine is running.

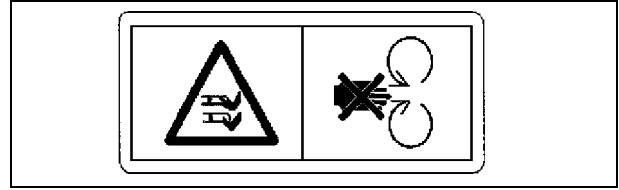
Avoid Injury From Rotating Blades and Thrown Objects - M118040



M118040

- Do not put hands or feet under or into mower when engine is running.
- Do not operate mower without discharge chute or entire grass catcher in place.
- Before mowing, clear area of objects that may be thrown by blade.
- Stay clear while engine is running.

Avoid Injury From Rotating Blades - M118041



M118041

- Do not put hands or feet under or into mower when engine is running.
- Do not operate mower without discharge chute or entire grass catcher in place.

Certification

Your product has been certified for compliance with American National Standards Institute B-71.4, Safety Specifications for Commercial Turf care Equipment.

Safety

Read Safety in Machine Operator's Manual

Read the general safety operating precautions in your machine operator's manual for additional safety information.



Operating Safely

This cutting machine is capable of amputating hands and feet and throwing objects. Failure to observe the following safety instructions could result in serious injury or death.

- Read, understand and follow all instructions on the machine and in manuals provided, and view safety video, before starting. Be thoroughly familiar with the controls and the proper use of the machine before starting.
- Do not put hands or feet near rotating parts or under the machine. Keep clear of the discharge opening at all times.
- Only allow responsible adults, who are familiar with the instructions, to operate this machine. Local regulations may restrict the age of the operator.
- Clear the area of objects such as rocks, wire and toys which could be thrown by the blades.
- Be sure the area is clear of bystanders before operating. Stop machine if anyone enters the area.
- Never carry passengers.
- Do not mow in reverse unless absolutely necessary. Always look down and behind before and while backing.
- Never direct discharged material toward anyone. Avoid discharging material against a wall or obstruction. Material may ricochet back toward the operator. Stop the blades when crossing gravel surfaces.
- Do not operate the machine without the entire grasscatcher, discharge guard, or other safety devices in place and working. Never operate with the discharge deflector raised, removed, or altered, unless using a grasscatcher.
- Slow down before turning.
- Never leave a running machine unattended. Always turn off blades, lock park brake, stop engine and remove key before dismounting.
- Disengage blades when not mowing. Shut off engine and wait for all parts to come to a complete stop before cleaning the machine, removing

<https://www.ebooklibonline.com>

Hello dear friend!

Thank you very much for reading.

Enter the link into your browser.

The full manual is available for immediate download.

<https://www.ebooklibonline.com>

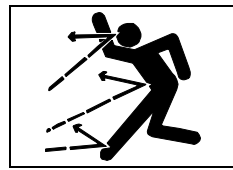
Safety

the grasscatcher, or unclogging the discharge chute.

- Operate machine only in daylight or good artificial light.
- Do not operate the machine while under the influence of alcohol or drugs.
- Watch for traffic when operating near or crossing roadways. Stop blades before crossing roads or sidewalks.
- Use extra care when loading or unloading the machine into a trailer or truck.
- Always wear safety goggles or safety glasses with side shields when operating machine.
- Data indicates operators 60 years and above are involved in a large percentage of riding mower-related injuries. These operators should evaluate their ability to operate the riding mower safely enough to protect themselves and others from serious injury.
- Follow the manufacturer's recommendation for wheel weights or counterweights.
- Inspect machine before you operate. Be sure hardware is tight. Repair or replace damaged, badly worn, or missing parts. Be sure guards and shields are in good condition and fastened in place. Make any necessary adjustments before you operate.
- Before using, always visually inspect to see that the blades, blade bolts and the mower assembly are not worn and damaged. Replace worn and damaged blades and bolts in sets to preserve balance.
- Make sure spark plug, muffler, fuel cap and air cleaner are in place before starting the engine.
- Be sure all drives are in neutral and parking brake is locked before starting engine. Only start engine from the operator's position.
- Do not change the engine governor settings or overspeed the engine. Operating the engine at excessive speed can increase the hazard of personal injury.
- If you hit an object or if abnormal vibration occurs, stop the machine and inspect it. Make repairs before you operate.
- Use only accessories and attachments approved by the manufacturer of the machine. Keep safety labels visible when installing accessories and attachments.
- Do not wear radio or music headphones. Safe service and operation requires your full attention.
- When machine is left unattended, stored, or parked, lower the mower deck unless a positive mechanical lock is used.

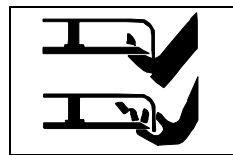
Parking Safely

1. Stop machine on a level surface, not on a slope.
2. Disengage mower blades or any other attachments.
3. Lower attachments to the ground.
4. Lock the park brake.
5. Stop the engine.
6. Remove the key.
7. Wait for engine and all moving parts to stop before you leave the operator's seat.
8. Close fuel shut-off valve, if your machine is equipped.
9. Disconnect the negative battery cable or remove the spark plug wire(s) (for gasoline engines) before servicing the machine.



Checking Mowing Area

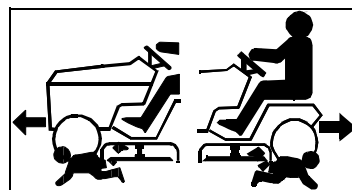
- Clear mowing area of objects that might be thrown. Keep people and pets out of mowing area.
- Low-hanging branches and similar obstacles can injure the operator or interfere with mowing operation. Before mowing, identify potential obstacles such as low-hanging branches, and trim or remove those obstacles.
- Study mowing area. Set up a safe mowing pattern. Do not mow where traction or stability is doubtful.
- Test drive area with mower lowered but not running. Slow down when you travel over rough ground.



Rotating Blades are Dangerous

HELP PREVENT SERIOUS OR FATAL ACCIDENTS:

- Rotating blades can cut off arms and legs, and throw objects. Failure to observe safety instructions could result in serious injury or death.
- Keep hands, feet and clothing away from mower deck when engine is running.
- Be alert at all times, drive forward and in reverse carefully. People, especially children can move quickly into the mowing area before you know it.
- Before backing up, stop mower blades or attachments and look down and behind the machine carefully, especially for children.
- Do not mow in reverse.
- Shut off blades when you are not mowing.
- Park machine safely before leaving the operator's station for any reason including emptying the grasscatchers or unplugging the chute.
- The mower blades should stop in approximately five seconds when the mower is disengaged. If you believe that your blades may not be stopping in that period of time, take your machine to your authorized dealer where they can safely check and service your machine.

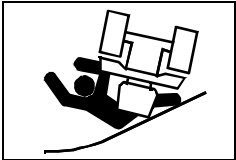


Protect Children

- Death or serious injury can occur when young children associate having fun with a lawn mowing machine simply because someone has given them a ride on a machine.
- Children are attracted to lawn mowing machines and mowing activities. They don't understand the dangers of rotating blades or the fact that the operator is unaware of their presence.
- Children who have been given rides in the past may suddenly appear in the mowing area for another ride and be run over or backed over by the machine.
- Tragic accidents with children can occur if the operator is not alert to the presence of children, especially when a child approaches a machine from behind. Before and while backing up, stop mower blades and look down and behind the machine carefully, especially for children.
- Never carry children on a machine or attachment, even with the blades off. Do not tow children in a cart or trailer. They can fall off and be seriously injured or interfere with safe machine operation.
- Never use the machine as a recreational vehicle or to entertain children.

Safety

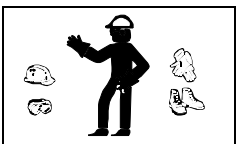
- Never allow children or an untrained person operate the machine. Instruct all operators not to give children a ride on the machine or in an attachment.
- Keep children indoors, out of the mowing area, and in the watchful eye of a responsible adult, other than the operator, when a mower is being operated.
- Stay alert to the presence of children. Never assume that children will remain where you last saw them. Turn the machine off if a child enters the work area.
- Use extreme care when approaching blind corners, shrubs, trees, or other objects that may block your view of a child.



Avoid Tipping

- Slopes are a major factor related to loss-of-control and tip-over accidents, which can result in severe injury or death. Operation on all slopes requires extra caution. If you cannot back up the slope or if you feel uneasy on it, do not mow it.

- Mow up and down slopes, not across.
- Watch for holes, ruts, bumps, rocks, or other hidden objects. Uneven terrain could overturn the machine. Tall grass can hide obstacles.
- Choose a low ground speed so you will not have to stop or shift while on a slope.
- Do not mow or operate machine on wet grass. Tires may lose traction. Tires may lose traction on slopes even though the brakes are functioning properly.
- Always keep the machine in gear when going down slopes. Do not shift to neutral and coast downhill.
- Avoid starting, stopping or turning on a slope. If the tires lose traction, disengage the blades and proceed slowly, straight down the slope.
- Keep all movement on slopes slow and gradual. Do not make sudden changes in speed or direction, which could cause the machine to roll over.
- Use extra care while operating machine with grasscatchers or other attachments, they can affect stability of the machine. Do not use on steep slopes.
- Do not try to stabilize the machine by putting your foot on the ground.
- Do not mow near drop-offs, ditches, embankments, or bodies of water. The machine could suddenly roll over if a wheel goes over the edge or the edge caves in. Leave a safety area between the machine and any hazard.
- Follow the manufacturer's recommendations for wheel weights or counterweights for added stability when operating on slopes or using front or rear mounted attachments. Remove weights when not required.



Wear Appropriate Clothing

- Always wear eye protection when operating the machine.
- Wear close fitting clothing and safety equipment appropriate for the job.

- While operating this machine, always wear substantial footwear and long trousers. Do not operate the equipment when barefoot or wearing open sandals.
- Wear a suitable protective device such as earplugs. Loud noise can cause impairment or loss of hearing.



Practice Safe Maintenance

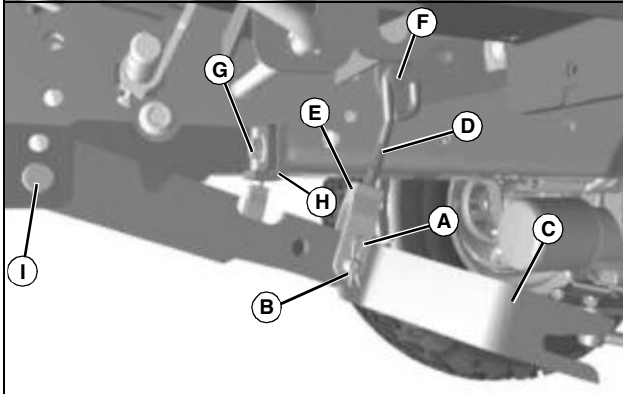
- Only qualified, trained adults should service this machine. Understand service procedure before doing work.
- Never operate machine in a closed area where dangerous carbon monoxide fumes can collect.
- Keep all nuts and bolts tight, especially blade attachment bolts, to be sure the equipment is in safe working condition.
- Never tamper with safety devices. Check their proper operation regularly.
- Keep machine free of grass, leaves or other debris build-up. Clean up oil or fuel spillage and remove any fuel-soaked debris. Allow the machine to cool before storing.
- If you strike a foreign object, stop and inspect the machine. Repair, if necessary, before restarting.
- Never make any adjustments or repairs with the engine running. Wait for all movement to stop on machine before adjusting, cleaning or repairing.
- Check grasscatcher components and the discharge guard frequently and replace with manufacturer's recommended parts, when necessary. Grasscatcher components are subject to wear, damage, and deterioration which could expose moving parts or allow objects to be thrown.
- Mower blades are sharp. Wrap the blade or wear gloves, and use extra care when servicing them. Only replace blades. Never straighten or weld them.
- Check brake operation frequently. Adjust and service as required.
- Maintain or replace safety and instruction labels, as necessary.
- On multi-bladed machines, take care as rotating one blade can cause other blades to rotate.
- Keep hands, feet, clothing, jewelry, and long hair away from any moving parts, to prevent them from getting caught.
- Lower any attachments to the ground before cleaning or servicing machine. Disengage all power and stop the engine. Lock park brake and remove the key. Let machine cool.
- Securely support any machine elements that must be raised for service work. Use jack stands or lock service latches to support components when needed.
- Disconnect battery or remove spark plug wire (for gasoline engines) before making any repairs. Disconnect negative terminal first and positive last. Install positive terminal first and negative last.
- Before servicing machine or attachment, carefully release pressure from any components with stored energy, such as hydraulic components or springs.
- Keep all parts in good condition and properly installed. Fix damage immediately. Replace worn or broken parts.
- Charge batteries in an open, well-ventilated area, away from sparks. Unplug battery charger before connecting or disconnecting from the battery. Wear protective clothing and use insulated tools.
- Do not strike the flywheel with a hammer or hard object because the flywheel may later shatter during operation.
- If equipped with hydraulic lift - release hydraulic pressure by lowering attachment or cutting units to the ground or to a mechanical stop and move hydraulic control levers back and forth.

Preparing Vehicle

Preparing Vehicle

Install Eyebolt

1. Park machine safely. (See Parking Safely in the SAFETY section.)



MX43620

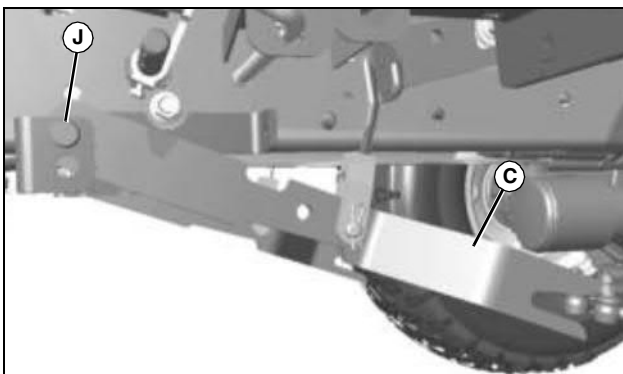
2. Remove spring locking pin (A) and drilled pin (B) from each lift arm (C).

- Measure and make note of the exposed threads on eyebolt (D). Remove yoke (E) from eyebolt. Remove eyebolt from arm (F).
- Install new shorter eyebolt onto arm (F) and install yoke (E) onto threaded end of lift rod, with the same measured amount of exposed threads that was on the old eyebolt.
- Install yoke end back onto lift arm and secure with drilled pin and spring locking pin.
- Repeat for opposite side.

NOTE: Stop bracket (H) is not needed for the 60D mower deck.

3. Remove bolt and nut (G) securing stop bracket (H) to machine frame. Repeat on opposite side. Set aside parts for future use.

4. Remove cotter pin and pin (I).

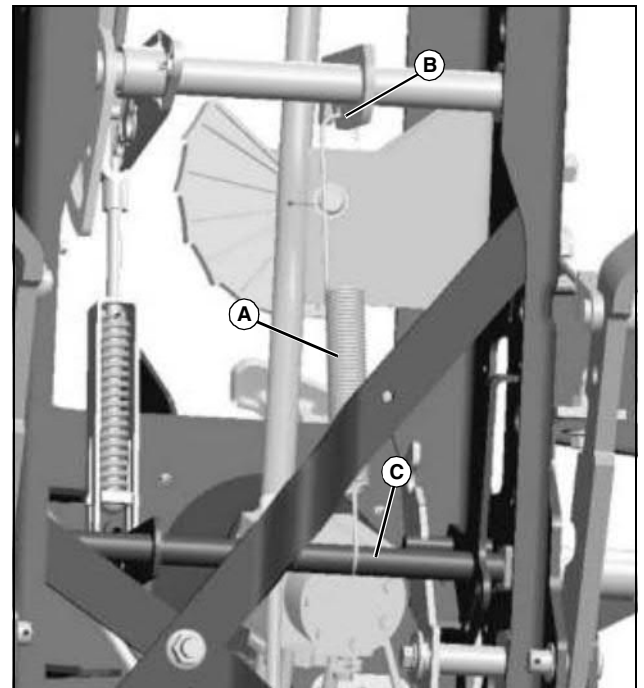


MX43621

5. Move each lift arm (C) upward, securing to upper hole (J) with pin. Secure with replacement cotter pin. Repeat for opposite side.

Install Extension Spring

1. Park machine safely. (See Parking Safely in the SAFETY section.)



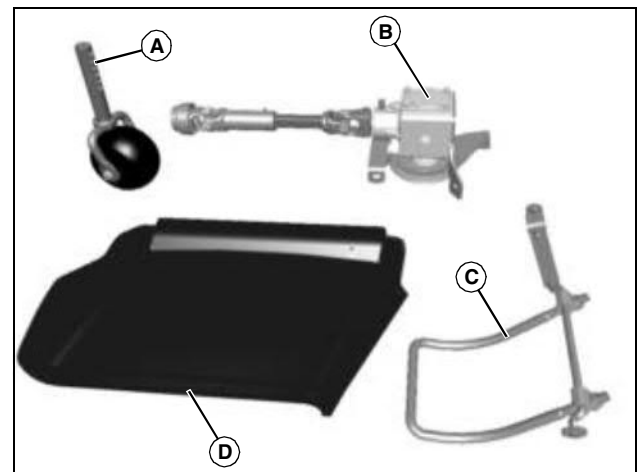
MX47134

Picture Note: View from under machine frame.

2. Lower draft arms, and install extension spring (A) onto hole in bracket (B) of lift shaft and opposite end onto brake shaft (C).

Assembly

Identify Parts

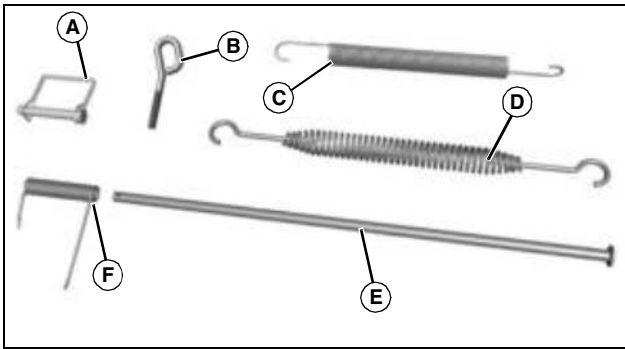


MX46235

Qty.	Description
4	Gage Wheel (A)
1	Gearbox Assembly (B)
1	Deck Hanger, Front (C)
1	Chute (D)

Assembly

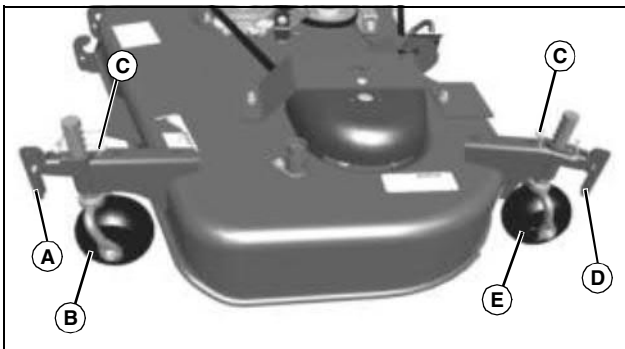
Bag of Parts



MX38431

Qty.	Description
4	Locking Pin (A)
2	Eyebolt (B)
1	Spring, Extension (C)
1	Spring, Idler Tension (D)
1	Rod, Chute (E)
1	Spring, Chute (F)
1	Roll Pin, Chute Rod
2	Cotter Pin
4	Bolt, M10x30
4	Locknut, M10

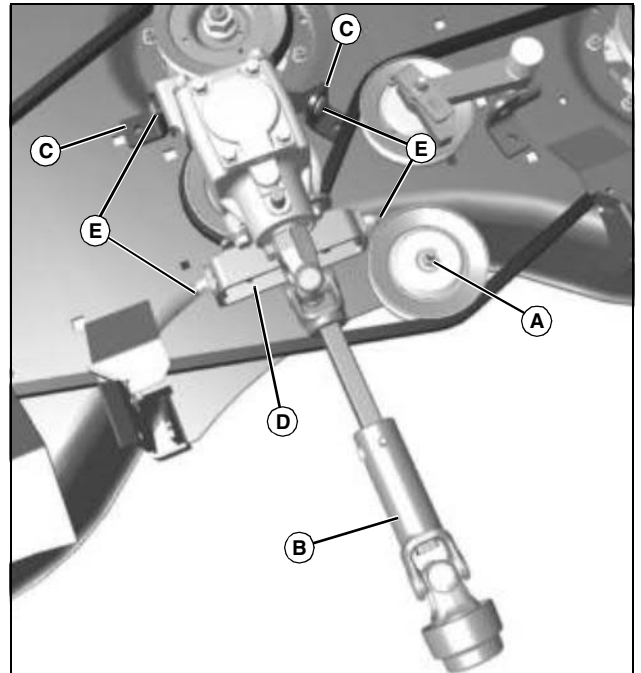
Install Mower Wheels



MX46236

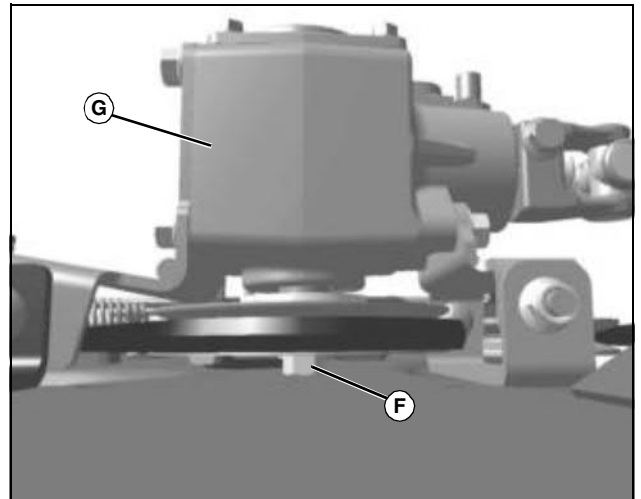
1. Move front quick release pin lever (A) to the horizontal position, and install front wheel (B) onto front deck wheel bracket. Move wheel to desired height and lower quick release pin lever (A). Install locking pin (C) in lowest shaft hole above wheel bracket to keep same height setting for later mower installations. Repeat for opposite front side.
2. Move rear quick release pin lever (D) to the horizontal position, and install rear wheel (E) onto rear deck wheel bracket. Move wheel to desired height and lower quick release pin lever (D). Install locking pin (C) in lowest shaft hole above wheel bracket to keep same height setting for later mower installations. Repeat for opposite rear side.

Install Gearbox and Driveshaft Assembly



MX38433

1. Loosen sheave hardware (A).
2. Install gearbox and driveshaft assembly (B) onto two deck brackets (C) and deck bracket (D) with four M10x30 carriage bolts (E). Secure bolts with four M10 locknuts. Leave hardware loose at this time.



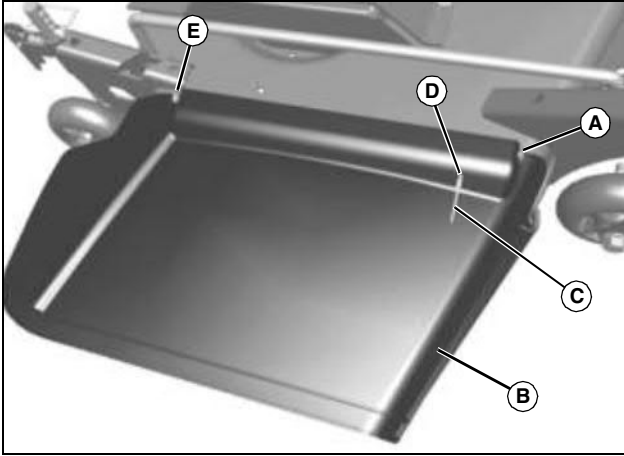
MX39493

3. Place a thin shim under sheave bolt (F) or hold gearbox (G) upward to hold bolt off of deck for clearance, and tighten four M10 locknuts to 73 N•m (54 lb-ft).
4. Tighten sheave hardware (A).

Installing

Install Discharge Chute

CAUTION: Avoid injury! Components are installed under spring tension. Wear eye protection and use proper tools when installing and removing components with spring tension.

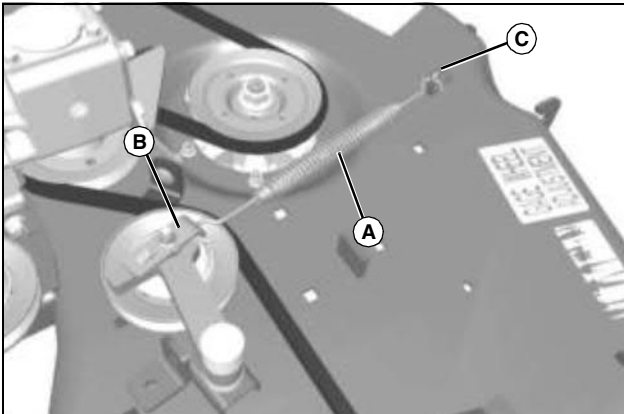


MX38434

1. Install rod (A) through front of discharge chute (B), deck bracket, and spring (C), with long end of spring installed through hole (D) in chute. Install rod through opposite end deck bracket and rear of chute.
2. Secure rod with roll pin (E).

Install Idler Tension Spring

CAUTION: Avoid injury! Components are installed under spring tension. Wear eye protection and use proper tools when installing and removing components with spring tension.



MX38435

1. Confirm belt is properly routed around all sheaves, and install idler tension spring (A) onto idler tension bracket (B) and onto hook (C) on deck.

Installing

Installing Mower

1. Park machine safely. (See Parking Safely in the SAFETY section.)

CAUTION: Avoid injury! Servicing a machine while the engine is running is dangerous.

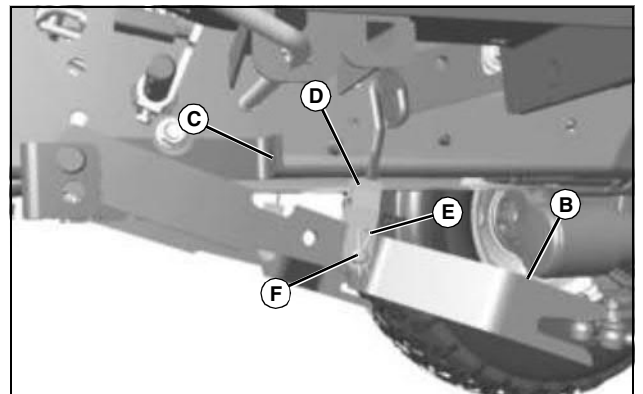
- Engine exhaust fumes contain carbon monoxide and can cause serious illness or death. Do not run an engine in an enclosed area without adequate ventilation.
- Be cautious and wear protective clothing when servicing or working near a hot engine and components.
- Keep hands, clothing, jewelry and long hair away from moving parts.



MX11076

2. Start engine, and pull back top hydraulic lever (A) to raise lift arms to highest position.
3. Position mower on a hard and level surface. Stop engine and lock the park brake.

IMPORTANT: Avoid damage! Mower deck lift system can be damaged if lift arms are not adjusted correctly. Check adjustment each time mower is installed to allow gap between lift arms and frame stop at full lift height.



MX38602

4. Check that the lift arm (B) does not contact the frame stop (C). If needed, adjust yokes (D) on both sides of mower until there is a slight gap of 1.6 mm (1/16 in.) on both sides.
 - Remove spring locking pin (E) and drilled pin (F) from each lift arm.
 - Turn each yoke (D) clockwise to raise the lift arm.
 - Turn each yoke (D) counterclockwise to lower the lift arm.
 - Attach each yoke to lift arm with drilled pin (F) and spring locking pin (E).



Suggest:

If the above button click is invalid.

Please download this document

first, and then click the above link

to download the complete manual.

Thank you so much for reading

Installing

5. Adjust mower height control knob to lowest cutting position.

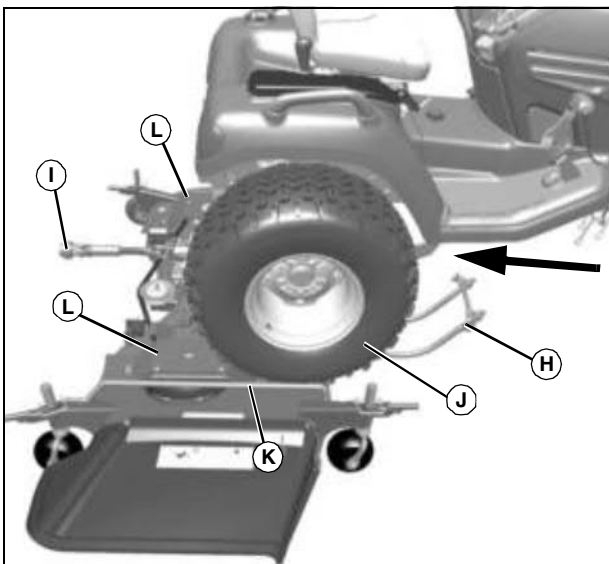
IMPORTANT: Avoid damage! If installed, 3-Point hitch arms can catch on mower deck when backing machine. Be certain to adjust 3-Point hitch stop to limit low position.

6. Start machine and push top hydraulic lever forward to lower draft arms.



MX46236

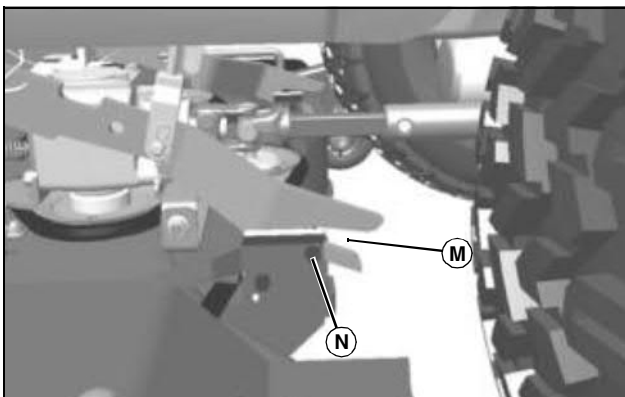
7. Move all four quick release pin levers (G) to the horizontal position.



MX46237

8. Hook front deck hanger (H) onto deck.

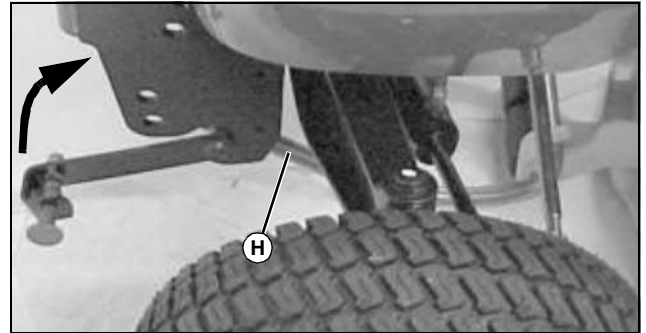
9. Put mower deck PTO driveshaft (I) straight backward behind deck so driveshaft does not catch on machine wheels.



MX38437

NOTE: If rear tires slip, push down on pedal on left side of machine to engage traction assist.

10. Line up right rear tire (J) just to the inside of bar (K), and back machine over the middle of deck ramps (L) on both sides of deck until slots (M) in lift arms align with mower lift links (N), and until deck moves slightly rearward.

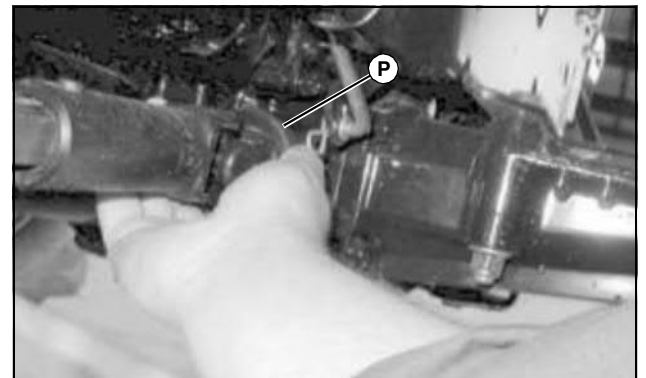


MX11052a



MX11052

11. Hook front of deck hanger (H) onto machine, and move release latch (O) up and lock pin into hole.



MX11077

12. Hook up coupler on deck PTO driveshaft (P) to the front PTO drive stub shaft on the transmission. When coupler locks onto stub shaft, push coupler fully forward and then pull backward to make sure coupler is latched.

13. Start engine and pull back on top hydraulic lever to raise deck to highest position.

14. Turn off engine.

<https://www.ebooklibonline.com>

Hello dear friend!

Thank you very much for reading.

Enter the link into your browser.

The full manual is available for immediate download.

<https://www.ebooklibonline.com>