

**JOHN DEERE**  
**WORLDWIDE COMMERCIAL & CONSUMER**  
**EQUIPMENT DIVISION**

---

**Mid-Mount Mower**  
**60 and 72-Inch 7-Iron**

60 in (SN 030001- ), 72 in (SN 320001- )

OMLVU16869 G9

**OPERATOR'S MANUAL**



**JOHN DEERE**

**Original Instruction**

All information, illustrations and specifications in this manual are based on the latest information at the time of publication. The right is reserved to make changes at any time without notice.

**COPYRIGHT© 2009**

Deere & Co.

John Deere Worldwide Commercial and Consumer Equipment Division

All rights reserved

Previous Editions

**COPYRIGHT© 2004, 2005, 2006, 2008**

North American Version

Litho in U.S.A.

# INTRODUCTION

## Introduction

### Using Your Operator's Manual

Read this entire operator's manual, especially the safety information, before operating.

This manual is an important part of your machine. Keep all manuals in a convenient location so they can be accessed easily.

Use the safety and operating information in the attachment operator's manual, along with the machine operator's manual, to operate and service the attachment safely and correctly.

If your attachment manual has a section called Preparing the Machine, it means that you will have to do something to your tractor or vehicle before you can install the attachment. The Assembly and Installation sections of this manual provide information to assemble and install the attachment to your tractor or vehicle. Use the Service section to make any needed adjustments and routine service to your attachment.

If you have any questions or concerns with the assembly, installation, or operation of this attachment, see your local John Deere dealer or call the John Deere Customer Contact Center at 1-800-537-8233 for assistance.

Warranty information on this John Deere attachment can be found in the warranty that came with your John Deere tractor or vehicle.

## Product Identification

### Product Compatibility

This mower is designed for use with compact utility tractors. This mower is recommended for installation on these machine models only:

Mower Model	Machine Model
72-Inch 7-Iron	4500, 4600, 4700 (Large Chassis) 4510, 4610, 4710 (Large Chassis) 4120, 4320, 4520, 4720 (Large Chassis)
72-Inch 7-Iron	3120, 3320, 3520, 3720 (Mid Chassis) 4300, 4400 (Mid Chassis) 4310, 4410 (Mid Chassis)
60-Inch 7-Iron	4200, 4300, 4400 (Mid Chassis) 4210, 4310, 4410 (Mid Chassis) 3120, 3320, 3520, 3720 (Mid Chassis)

Contact your John Deere dealer before installation on any other machines.

Before operating the mower, the following equipment must be installed on the machine. See your John Deere dealer.

- Mid-PTO kit
- Installation on models 3120-3720 with a cab requires an additional mid-mount mower bracket. Contact your John Deere dealer.
- Installation on models 4500-4700 and 4510-4710 requires replacing the lift mounting plates included in the 72-inch Mower Attaching Kit. Contact your John Deere dealer.
- Installation of 60-inch mower on models 4300 and 4400 requires replacing the lift arm weldment included in the 60-inch Mower Attaching Kit. Contact your John Deere dealer.

### Record Identification Numbers

#### Mower

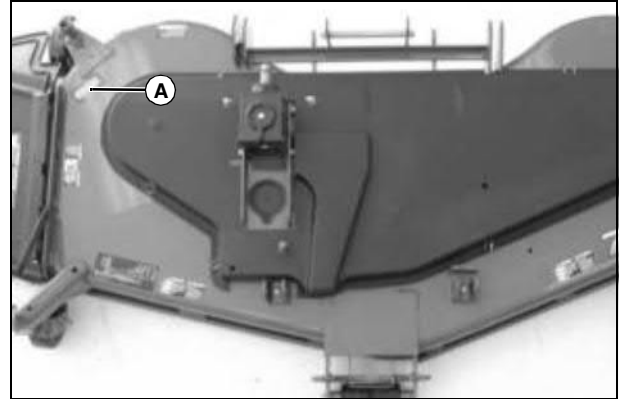
**72-Inch 7-Iron (Large Chassis Mower) Serial No. (320001-)**

**72-Inch 7-Iron (Mid Chassis Mower) Serial No. (320001-)**

**60-Inch 7-Iron Serial No. (030001-)**

If you need to contact an Authorized Service Center for information on servicing, always provide the product model and serial number.

You will need to locate the model and serial number for the mower and record the information in the spaces provided below.



MX20619

DATE OF PURCHASE:

DEALER NAME:

DEALER PHONE:

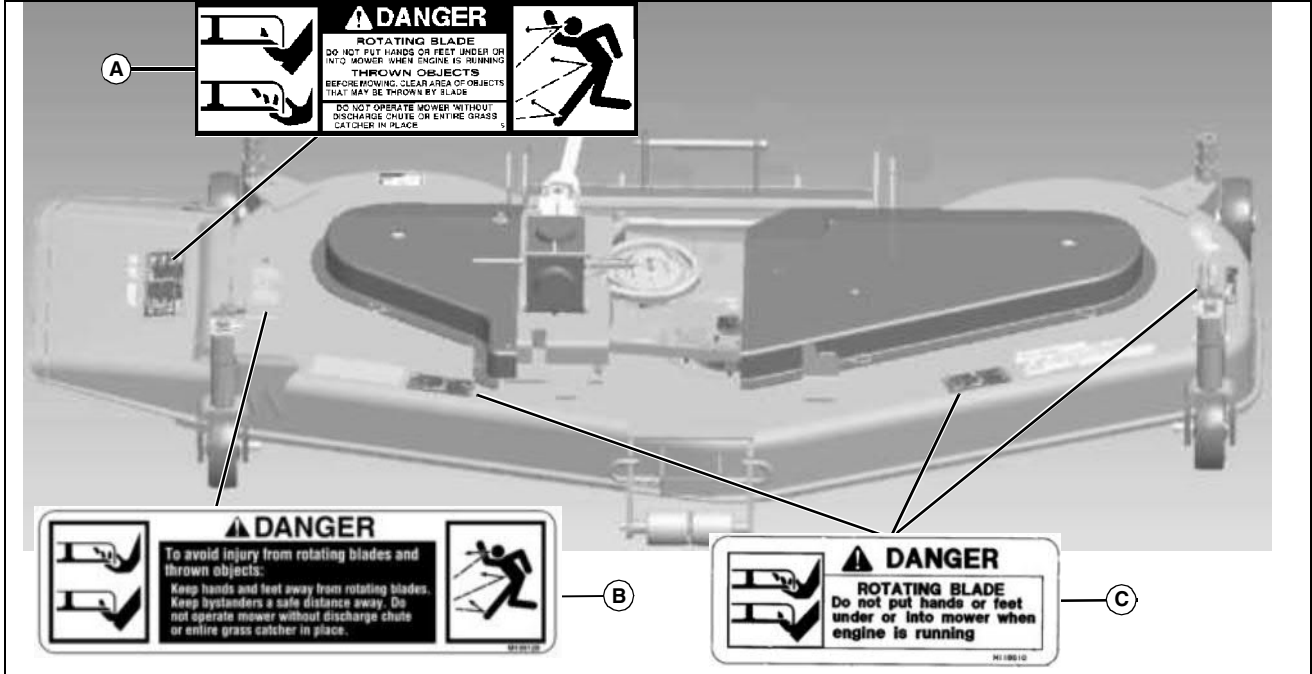
PRODUCT SERIAL NUMBER (A):

# SAFETY LABELS

## Safety Labels

### Safety Label Location

#### 72 Inch Mower



M89504, M118610, M139128

**Picture Note:** Use label number listed in table below to locate complete text of safety label message following this illustration.

- A- Danger- M89504
- B- Danger - M139128
- C- Danger - M118610

- Before mowing, clear area of objects that may be thrown by blade.
- Do not operate mower without discharge chute or entire grass catcher in place.

#### DANGER M139128



M139128

#### To avoid injury from rotating blades and thrown objects:

- Keep hands and feet away from rotating blades.
- Keep bystanders a safe distance away. Do not operate mower without discharge chute or entire grass catcher in place.

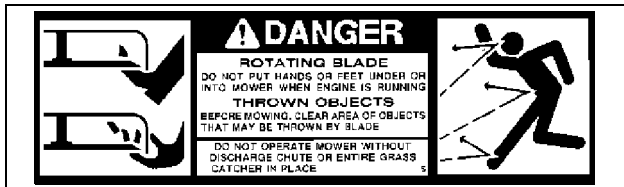
### Understanding The Machine Safety Labels

The machine safety labels shown in this section are placed in important areas on your machine to draw attention to potential safety hazards.

On your machine safety labels, the words DANGER, WARNING, and CAUTION are used with this safety-alert symbol. DANGER identifies the most serious hazards.

The operator's manual also explains any potential safety hazards whenever necessary in special safety messages that are identified with the word, CAUTION, and the safety-alert symbol.

#### DANGER - M89504



M89504

#### ROTATING BLADE

- Do not put hands or feet under or into mower when engine is running.

#### THROWN OBJECTS

**<https://www.ebooklibonline.com>**

Hello dear friend!

Thank you very much for reading.

Enter the link into your browser.

The full manual is available for immediate download.

**<https://www.ebooklibonline.com>**

# SAFETY

## DANGER - M118610



M118610

### ROTATING BLADE

- Do not put hands or feet under or into mower when engine is running.

### Certification

Your product has been certified for compliance with American National Standards Institute B-71.4, Safety Specifications for Commercial Turf care Equipment.

## Safety

### Read Safety in Machine Operator's Manual

Read the general safety operating precautions in your machine operator's manual for additional safety information.

### Operator Training Required

- Read the operator's manual and other training material. If the operator or mechanic cannot read English, it is the owner's responsibility to explain this material to them. This publication is available in other languages.
- Become familiar with the safe operation of the equipment, operator controls, and safety signs.
- All operators and mechanics should be trained. The owner of the machine is responsible for training the users.
- Never let children or untrained people operate or service the equipment. Local regulations may restrict the age of the operator.
- The owner/user can prevent and is responsible for accidents or injuries occurring to themselves, other people, or property.
- Operate the machine in an open, unobstructed area under the direction of an experienced operator.

### Preparation

- Evaluate the terrain to determine what accessories and attachments are needed to properly and safely perform the job. Only use accessories and attachments approved by the manufacturer.
- Wear appropriate clothing including hard hat, safety glasses and hearing protection. Long hair, loose clothing or jewelry may get tangled in moving parts.
- Inspect the area where the equipment is to be used and remove all objects such as rocks, toys and wire which can be thrown by the machine.
- Use extra care when handling gasoline and other fuels. They are flammable and vapors are explosive.
  - a. Use only an approved container.
  - b. Never remove gas cap or add fuel when engine is running. Do not smoke.
  - c. Never refuel or drain the machine indoors.
- Check that the operator's presence controls, safety switches and shields

are attached and functioning properly. Do not operate unless they are functioning properly.

### Operating Safely

- Never run an engine in an enclosed area where dangerous carbon monoxide fumes can collect.
- Only operate in good light, keeping away from holes and hidden hazards.
- Be sure all drives are in neutral and parking brake is engaged before starting engine. Only start engine from the operator's position. Use seat belts if provided.
- Slow down and use extra care on hillsides. Be sure to travel in the recommended direction on hillsides. For this machine, drive up and down hillsides, not across. Turf conditions can affect the machine's stability. Use caution while operating near drop-offs.
- Slow down and use caution when making turns and when changing directions on slopes.
- Never raise deck with the blades running.
- Never operate with the PTO shield, or other guards, not securely in place. Be sure all interlocks are attached, adjusted properly, and functioning properly.
- Never operate with the discharge deflector raised, removed or altered, unless using a grasscatcher. Do not operate mower without discharge chute or entire grasscatcher in place.
- Do not change the engine governor setting or overspeed the engine. Operating the engine at excessive speed can increase the hazard of personal injury.
- Stop on level ground, lower implements, disengage drives, engage parking brake, and shut off engine before leaving the operator's position for any reason including emptying the grasscatchers or unclogging the chute.
- Stop equipment and inspect blades after striking objects or if an abnormal vibration occurs. Make necessary repairs before resuming operations.
- Keep hands and feet away from the cutting units.
- Look behind and down before backing up to be sure of a clear path.
- Never carry passengers and keep pets and bystanders away.
- Slow down and use caution when making turns and crossing roads and sidewalks. Stop blades if not mowing. Watch for traffic when operating near or crossing roadways.
- Be aware of the mower discharge direction and do not point it at anyone.
- Do not operate the machine while under the influence of alcohol or drugs.
- Use care when loading or unloading the machine into or off of a trailer or truck.
- Use care when approaching blind corners, shrubs, trees, or other objects that may obscure vision.
- Inspect machine before you operate. Be sure hardware is tight. Repair or replace damaged, badly worn, or missing parts. Be sure guards and shields are in good condition and fastened in place. Make any necessary adjustments before you operate.
- Before using, always visually inspect to see that the blades, blade bolts and the mower assembly are not worn and damaged. Replace worn and damaged blades and bolts in sets to preserve balance.
- Keep safety labels visible when installing accessories and attachments.
- Do not wear radio or music headphones. Safe service and operation

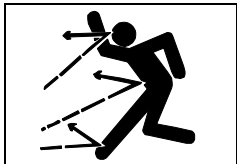
# SAFETY

require your full attention.

- When machine is left unattended, stored, or parked, lower the mower deck unless a positive mechanical lock is used.

## Parking Safely

1. Stop machine on a level surface, not on a slope.
2. Disengage PTO and stop attachments.
3. Lower attachments to the ground.
4. Lock park brake.
5. Stop engine.
6. Remove key.
7. Wait for engine and all moving parts to stop before you leave the operator's station.
8. Close fuel shut off valve before servicing the fuel system, if your machine is equipped.
9. Disconnect the battery ground cable before making repairs to electrical system or doing any welding.

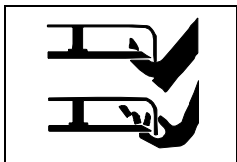


## Checking Mowing Area

- Clear mowing area of objects that might be thrown. Keep people and pets out of mowing area.
- Low-hanging branches and similar obstacles can injure the operator or interfere with

mowing operation. Before mowing, identify potential obstacles such as low-hanging branches, and trim or remove those obstacles.

- Study mowing area. Set up a safe mowing pattern. Do not mow where traction or stability is doubtful.
- Test drive area with mower lowered but not running. Slow down when you travel over rough ground.



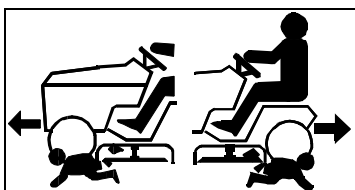
## Rotating Blades are Dangerous

### HELP PREVENT SERIOUS OR FATAL ACCIDENTS:

- Rotating blades can cut off arms and legs, and throw objects. Failure to observe safety instructions could result in serious injury or

death.

- Keep hands, feet and clothing away from mower deck when engine is running.
- Be alert at all times, drive forward carefully. People, especially children can move quickly into the mowing area before you know it.
- Do not mow in reverse.
- Shut off blades when you are not mowing.
- Park machine safely before leaving the operator station for any reason including emptying the catchers or unplugging the chute.



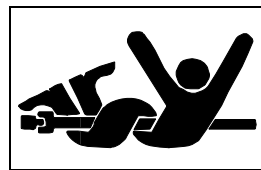
## Protect Children

- Death or serious injury can occur when young children associate having fun with a lawn mowing machine simply because someone has given them a ride on a machine.

- Children are attracted to lawn mowing machines and mowing activities.

They don't understand the dangers of rotating blades or the fact that the operator is unaware of their presence.

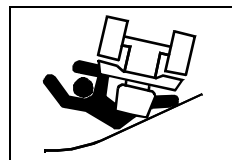
- Children who have been given rides in the past may suddenly appear in the mowing area for another ride and be run over or backed over by the machine.
- Tragic accidents with children can occur if the operator is not alert to the presence of children, especially when a child approaches a machine from behind. Before and while backing up, stop mower blades and look down and behind the machine carefully, especially for children.
- Never carry children on a machine or attachment, even with the blades off. Do not tow children in a cart or trailer. They can fall off and be seriously injured or interfere with safe machine operation.
- Never use the machine as a recreational vehicle or to entertain children.
- Never allow children or an untrained person operate the machine. Instruct all operators not to give children a ride on the machine or in an attachment.
- Keep children indoors, out of the mowing area, and in the watchful eye of a responsible adult, other than the operator, when a mower is being operated.
- Stay alert to the presence of children. Never assume that children will remain where you last saw them. Turn the machine off if a child enters the work area.
- Use extreme care when approaching blind corners, shrubs, trees, or other objects that may block your view of a child.



## Stay Clear of Rotating Drivelines

Entanglement in rotating driveline can cause serious injury or death.

- Wear close fitting clothing.
- Stop the engine and be sure PTO driveline is stopped before getting near it.



## Avoid Tipping

- Slopes are a major factor related to loss-of-control and tip-over accidents, which can result in severe injury or death. Operation on all slopes requires extra caution.
- Be aware that mechanical front wheel drive (MFWD) can improve access to dangerously sloped terrain, thereby increasing the possibility of a tipover.

- Drive up and down a hill - not across.
- Watch for holes, ruts, bumps, rocks, or other hidden objects. Uneven terrain could overturn the machine. Tall grass can hide obstacles.
- Do not operate machine on wet grass. Tires may lose traction. Tires may lose traction on slopes even though the brakes are functioning properly.
- Choose a low ground speed so you will not have to stop or shift while on a slope.
- Always keep the machine in gear when going down slopes. Do not shift to neutral and coast downhill.
- Avoid starting, stopping or turning on a slope. If the tires lose traction, disengage the blades and proceed slowly, straight down the slope.
- Keep all movement on slopes slow and gradual. Do not make sudden changes in speed or direction, which could cause the machine to roll over.
- Do not operate machine near drop-offs, ditches, embankments, or bodies of water. The machine could suddenly roll over if a wheel goes over the edge or the edge caves in. Leave a safety area between the machine

# ASSEMBLY

and any hazard.

- Danger of tipping is increased greatly with tires in narrow tread setting and driving at high speed.
- Follow the manufacturer's recommendations for wheel weights or counterweights for added stability when operating on slopes or using front or rear mounted attachments. Remove weights when not required.



## Wear Appropriate Clothing

- Always wear safety goggles, or safety glasses with side shields, and a hard hat when operating the machine.

• Wear close fitting clothing and safety equipment appropriate for the job.

- While mowing, always wear substantial footwear and long trousers. Do not operate the equipment when barefoot or wearing open sandals.
- Wear a suitable protective device such as earplugs. Loud noise can cause impairment or loss of hearing.



## Maintenance and Storage

- Never operate machine in a closed area where dangerous carbon monoxide fumes can collect.

• Disengage drives, lower implement, lock parking brake, stop engine and remove key or disconnect spark plug (for gas engines). Wait for all movement to stop before adjusting, cleaning or repairing.

• Clean grass and debris from cutting units, drives, mufflers, and engine to help prevent fires. Clean up oil or fuel spillage.

• Let engine cool before storing and do not store near flame.

• Shut off fuel while storing or transporting. Do not store fuel near flames or drain indoors.

• Park machine on level ground. Never allow untrained personnel to service machine. Understand service procedure before doing work.

• Use jack stands or lock service latches to support components when required. Securely support any machine elements that must be raised for service work.

• Before servicing machine or attachment, carefully release pressure from any components with stored energy, such as hydraulic components or springs.

• Release hydraulic pressure by lowering attachment or cutting units to the ground or to a mechanical stop and move hydraulic control levers back and forth.

• Disconnect battery or remove spark plug (for gas engines) before making any repairs. Disconnect the negative terminal first and the positive last. Reconnect positive first and negative last.

• Use care when checking blades. Wrap the blades or wear gloves, and use caution when servicing them. Only replace blades. Never straighten or weld them.

• Keep hands, feet, clothing, jewelry and long hair away from moving parts. If possible, do not make adjustments with the engine running.

• Charge batteries in an open well ventilated area, away from spark and flames. Unplug charger before connecting or disconnecting from battery. Wear protective clothing and use insulated tools.

• Keep all parts in good working condition and all hardware tightened. Replace all worn or damaged decals.

• Check grasscatcher components and the discharge guard frequently and

replace with manufacturer's recommended parts, when necessary. Grasscatcher components are subject to wear, damage, and deterioration which could expose moving parts or allow objects to be thrown.

• Keep all nuts and bolts tight, especially blade attachment bolts, to be sure the equipment is in safe working condition.

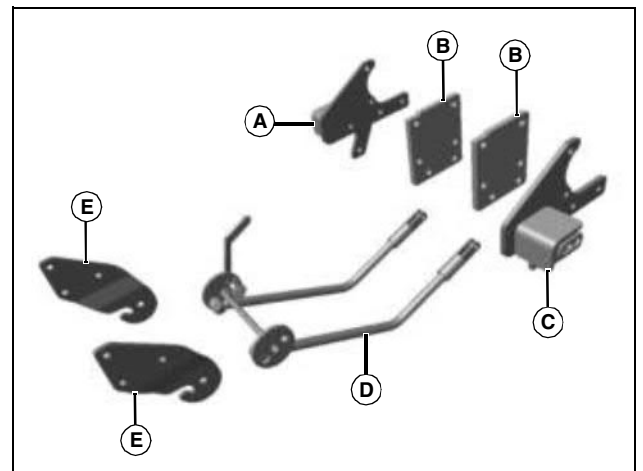
• Check brake operation frequently. Adjust and service as required.

• On multi-bladed machines, take care as rotating one blade can cause other blades to rotate.

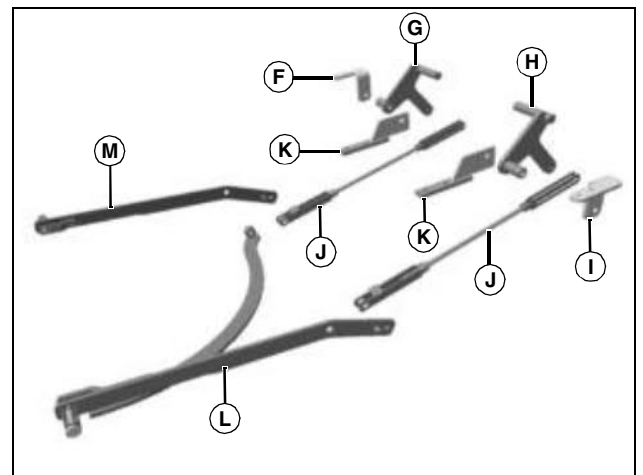
## Assembly

### Parts (Large Chassis Tractor Attaching Kit)

**NOTE:** Some parts are used during mower assembly, others are used during installation on tractor.



MX32797

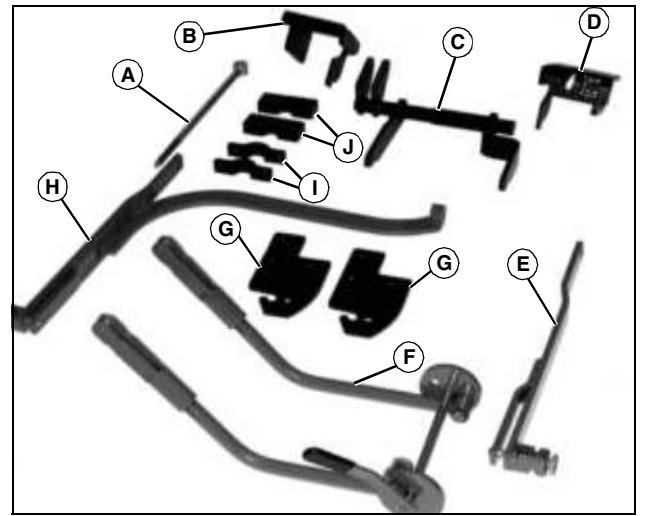


MX32798

Qty.	Description
1	Right Rear Draft Deck Support (A)
2	Upper Rear Plate (B)
1	Left Rear Draft Deck Support (C)
1	Front Draft Pivot Assembly (D)

# ASSEMBLY

Qty.	Description
2	Front Lift Mounting Plate (E)
1	Right Rear Upper Lift Plate (F)
1	Welded Right Lift Arm (G)
1	Welded Left Lift Arm (H)
1	Left Rear Upper Lift Plate (I)
2	Lift Link (J)
2	Welded Pivot Plate (K)
1	Left Rear Draft Arm (L)
1	Right Rear Draft Arm (M)
6	Nut, M16
2	Nut, Flange, M12
10	Locknut, M12
4	Bolt, M16x40
8	Bolt, M16x50
10	Bolt, M12x45
1	Bolt, M12x60
1	Bolt, M12x90
4	Bolt, M16x45
2	Washer, 0.531 x 0.938 x 0.060
4	Washer, M17
2	Spring Locking Pin
1	Spacer, 27 mm (1 in.)
2	Spacer, 19 mm (.75 in.)
2	Locking Ring
2	Bushing, Pivot
2	Bolt, Square neck
2	Pin, 5/8 x 2-5/8 in.
2	Pin, 1/2 x 1-3/4 in.
1	PTO Driveline
1	Bolt, M10x50
1	Shaft Key



MX11310

Qty.	Description
1	Adjustable Depth Rod (A)
1	Right Draft Support (B)
1	Lift Arm Weldment (C)
1	Left Draft Support (D)
1	Draft Arm Bar (E)
2	Front Pivot Assembly (F)
2	Front Attach Bracket (G)
1	Draft Arm (H)
2	Half Clamp (I)
2	Block Clamp (J)
1	Hydraulic Cylinder (with couplers and hoses attached)
2	Nut, Flange, M12
6	Locknut, M12
3	Screw, M12x30
6	Bolt, M12x45
1	Bolt, M12x60
5	Bolt, M12x90
1	Spacer, 27 mm (1 in.)
2	Spacer, 19 mm (.75 in.)
2	Rockshaft Bushing
1	Knob
1	Depth Stop
1	Bushing 14 mm x 25 mm
1	Knob Retainer

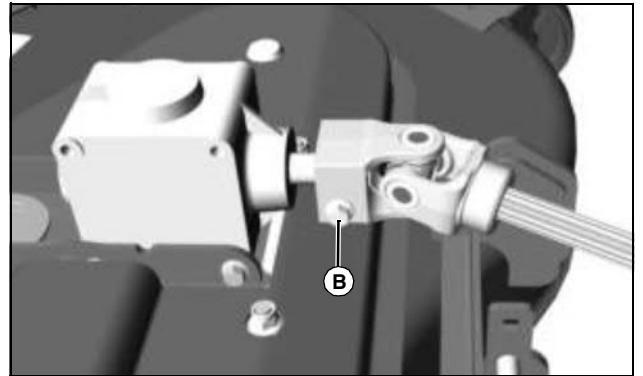
### Parts (Mid Chassis Tractor Attaching Kit)

**NOTE:** Some parts are used during mower assembly, others are used during installation on tractor.

# ASSEMBLY

Qty.	Description
2	Bolt, M8x25
2	Washer, M9
2	Nut, M8
2	Yoke Assembly, Adjustable
4	Pin, 12.5 mm x 37 mm
4	Locking Ring
2	Washer, M12
3	Pin, Cotter
3	Pin, Cylinder, M12x60
1	PTO Driveline
1	Bolt, M10x50
1	Shaft Key

1. Install key (A) in slot in gearbox shaft. Coat shaft with MPG-2 anti-seize lubricant or equivalent.

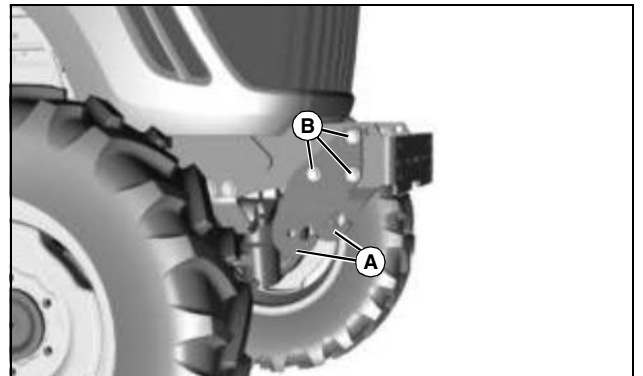


MX17727

2. Install PTO driveline on gearbox shaft.
3. Install M10x50 bolt (B). Tighten to 75 N•m (55 lb-ft).

## Assemble Mower Attaching Kit (Large Chassis Tractor)

### Install Lift Mounting Plates

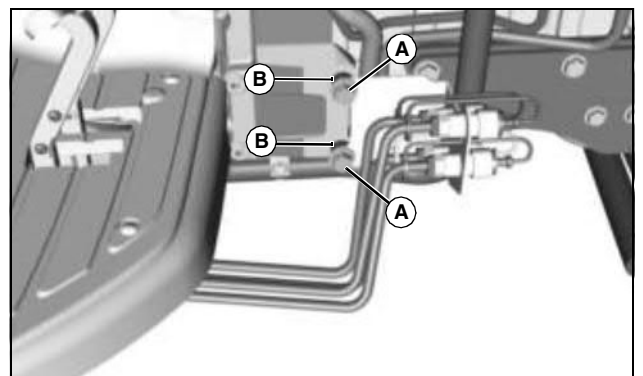


MX17728

**Picture Note:** Installation on machine models 4500-4700 and 4510-4710 requires replacing the lift mounting plates shown. The same hardware is used for installation.

1. Install lift mounting plates (A) to machine frame with six M12x45 bolts (B) and six M12 locknuts.

### Install Upper Rear Plates and Rear Draft Deck Supports



MX17729

1. Remove two bolts (A) and spacers (B) in SCV coupler bracket on right side of machine.

## Assemble Mower

### Install Rear Wheels

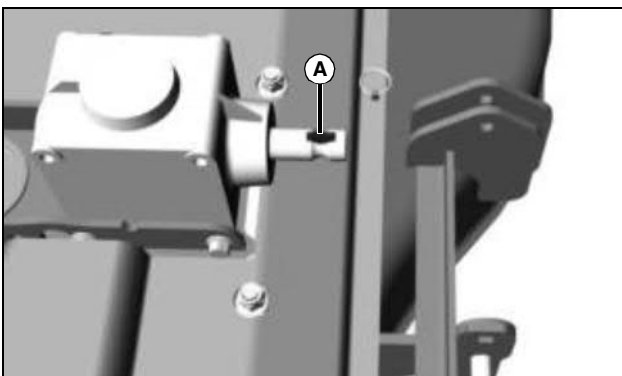


MX20620

**Picture Note:** Mower ships from factory with rear wheels installed upside down in wheel shaft supports.

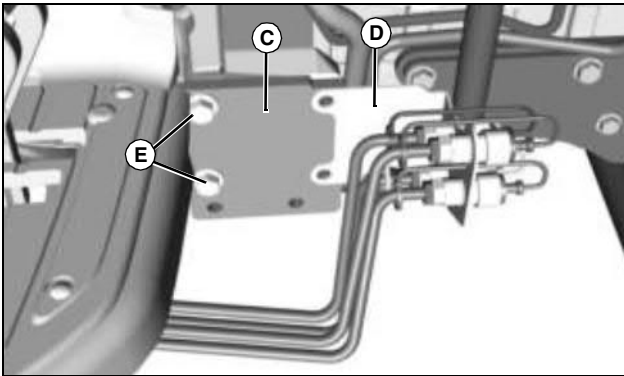
1. Remove locking ring (A) and drilled pin (B) from both rear wheel shafts.
2. Install rear wheels in operating position as shown.
3. Install drilled pins and locking rings.

### Install PTO Driveline on Gearbox



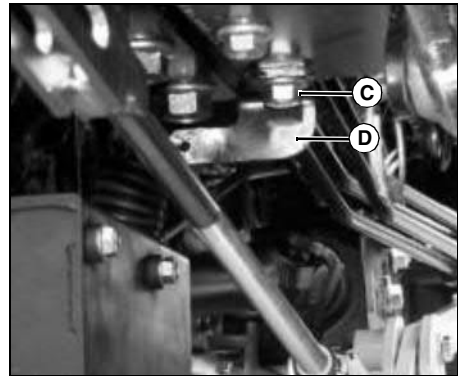
MX17726

# ASSEMBLY



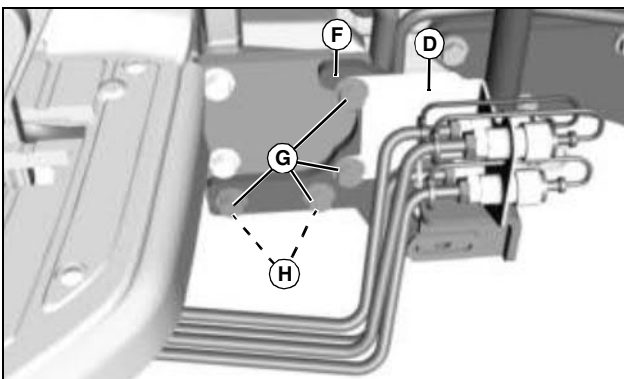
MX17730

2. Loosely install upper rear plate (C) to machine frame behind SCV coupler bracket (D) with two M16x45 bolts (E).



M93905

2. Models 4500-4700, 4510-4710: Loosen right side ROPS bolt (C) and move spring bracket (D) out of way.



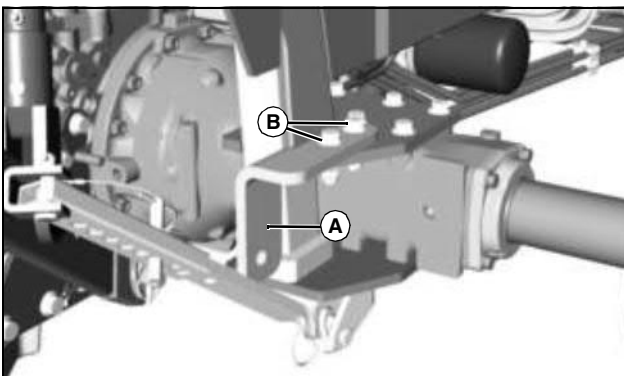
MX17731

3. Install the SCV coupler bracket (D), right side rear draft deck support (F), and upper rear plate to machine frame with four M16x50 bolts (G) and two M16 nuts (H).

4. Install upper rear plate and rear draft deck support on left side of machine.

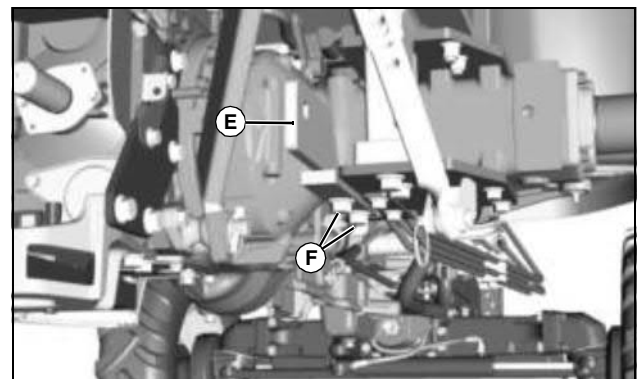
5. Tighten all bolts to 275 N•m (210 lb-ft).

### Install Upper Plates and Welded Pivot Plates



MX17732

1. Install right side upper lift plate (A) to ROPS attaching frame with two M12x45 bolts (B) and two M12 locknuts.



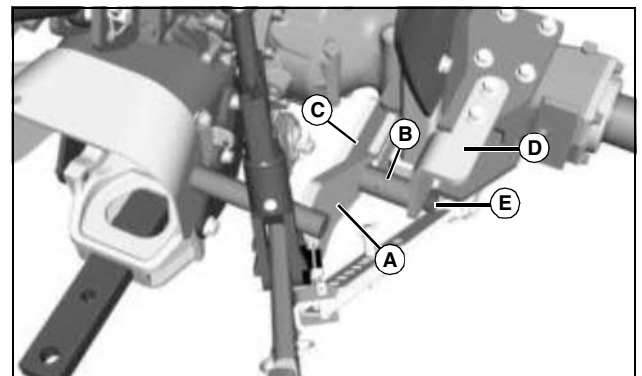
MX20577

3. Install welded pivot plate (E) to underside of machine axle on right side with two M16x40 bolts (F). Tighten to 285 N•m (210 lb-ft).

4. Move spring bracket (D) back into place. Tighten ROPS bolt (C) to 138 N•m (102 lb-ft).

5. Install left side upper lift plate and welded pivot plate on left side of machine. Do not loosen any left side ROPS bolts.

### Install Welded Lift Arms



MX20578

1. Lower machine 3-point hitch to install welded lift arm (A) to raise and lower on 3-point hitch draft links.

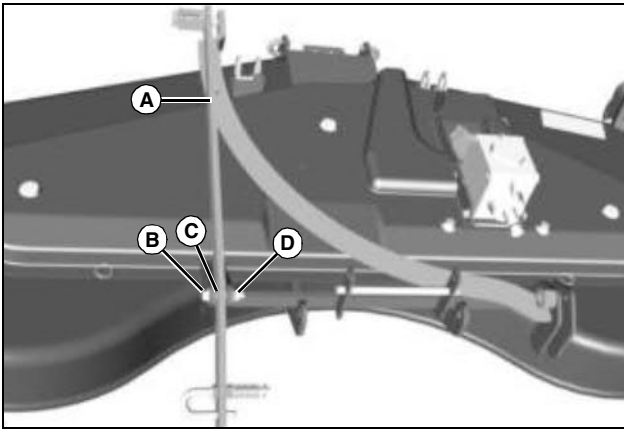
2. Install bushing inside tube (B) on welded lift arm.

3. Install welded lift arm between welded pivot plate (C) and upper plate (D) with one square neck bolt, two M17xM34 washers and one M16 nut (E).

# ASSEMBLY

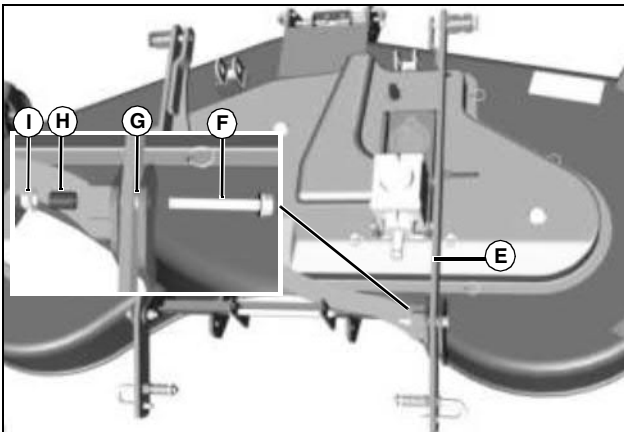
4. Repeat installation for welded lift arm on other side of machine.

## Attach Rear Draft Arms to Mower



MX20579

1. Loosely install rear draft arm (A) on left rear mower bracket with M12x60 bolt (B), 19 mm (.75 in.) spacer (C), and M12 nut (D).



MX20580, MX20581

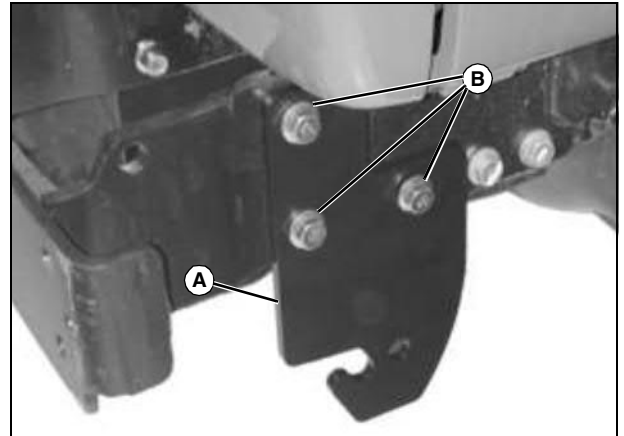
2. Install rear draft arm and right rear draft arm (E) on right rear mower bracket with M12x90 bolt (F), 19 mm (.75 in.) spacer (G), 27 mm (1 in.) spacer (H), and M12 nut (I).

3. Tighten both nuts.

## Assemble Mower Attaching Kit (Mid-Chassis Tractor)

**NOTE:** A mid-mount mower bracket must be installed in place of the MFWD bracket on mid-chassis tractors with cabs before installing mower.

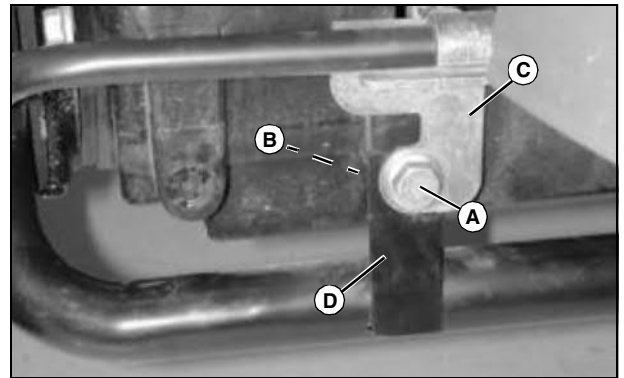
## Install Front Attach Brackets



MX11314

1. Install front attach bracket (A) on both sides of machine frame with three M12x45 bolts (B) and three M12 locknuts.

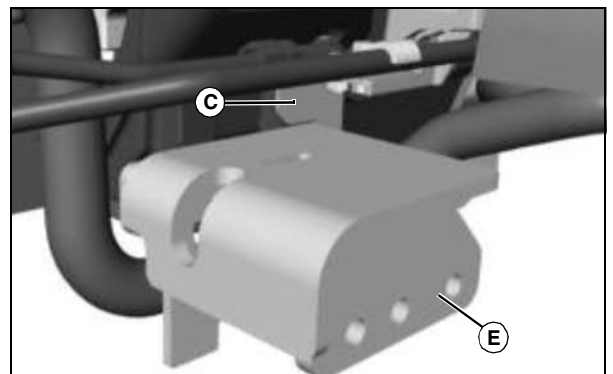
## Attach Draft Supports



MX11315

**Picture Note:** Tractor model shown has hydraulic tube and support bracket (C). Other models may not have tube and support bracket. Follow instructions for parts which are installed.

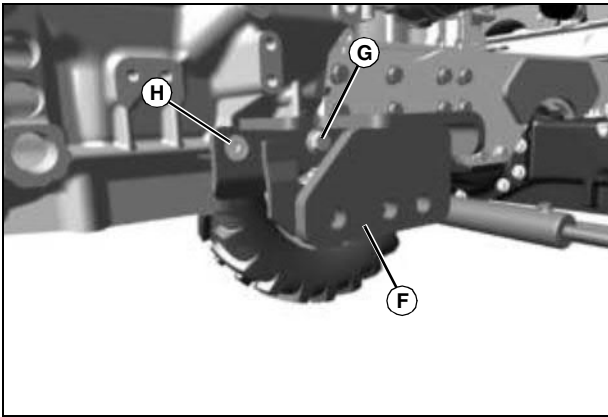
1. Remove screw (A), spacer (B) in tube support bracket (C), and suction tube strap (D) on left side of machine at front of footdeck. Retain screw.



MX20906

2. Position left draft support (E) behind tube support bracket (C) and suction tube strap (D). Install support with retained screw and one M12x30 screw.

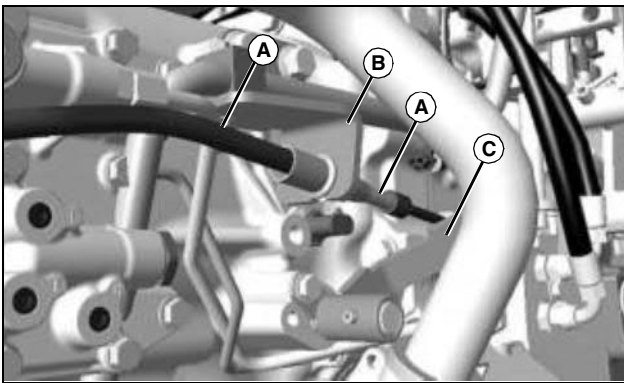
# ASSEMBLY



MX33877

3. Install right draft support (F) on right side of machine frame with M12x30 screw (G) and M12x30 flat head hex screw (H).

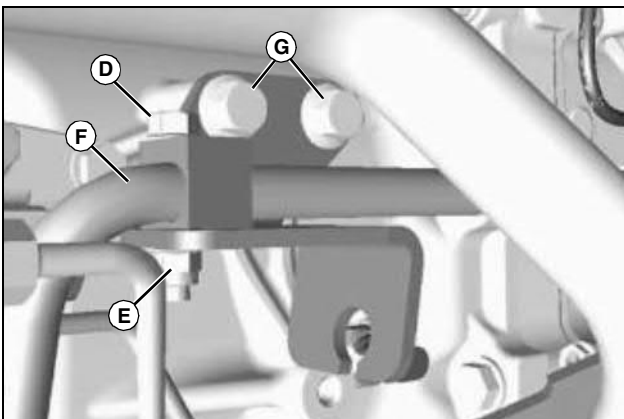
## Install Mid-Mount Mower Bracket (Tractor With Cab)



MX36420

1. Remove tractor MFWD bracket:

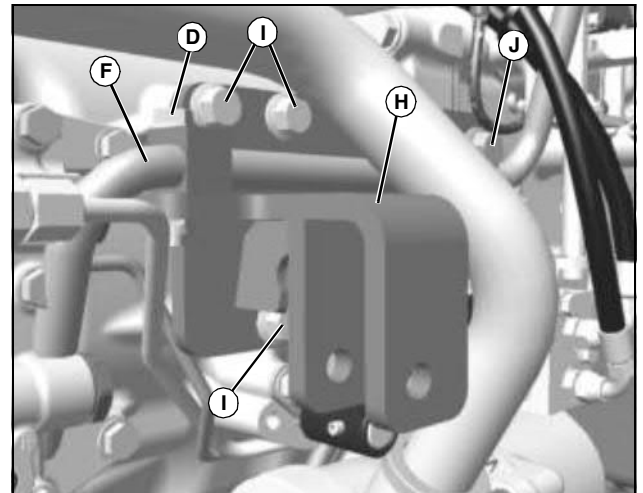
- Locate MFWD cable (A) and bracket (B), at left side of transmission.
- Remove and retain cotter pin and flat washer securing MFWD cable (A) to shift lever (C) at transmission.
- Remove and retain locking clip securing MFWD cable in existing MFWD bracket (B), and remove cable from slot in bracket.



MX36422

- Remove and retain the M8x45 capscrew (D) and M8 locknut (E), securing the hydraulic line (F) and clamp to the MFWD bracket.
- Remove and discard two M10x20 capscrews (G), securing the MFWD

bracket to the transmission, then remove and discard the bracket.

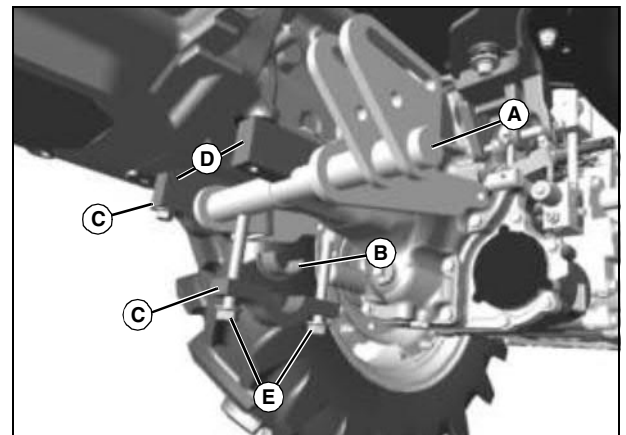


MX38802

2. Install mid-mount mower bracket:

- Position the mid-mount mower bracket (H), with the upper two mounting holes aligned with the two holes that secured the MFWD bracket to the transmission, and with the hydraulic line (F) and clamp over another mounting hole.
- Secure the bracket with three M10x25 capscrews (I), and one M12x25 capscrew (J). Tighten hardware.
- Secure the hydraulic line and clamp with the M8x45 capscrew (D) and M8 locknut. Tighten hardware.
- Install MFWD cable into slot in mower bracket and secure with clip.
- Install cable end into shift lever, and secure with flat washer and cotter pin.

## Install Lift Arm Weldment

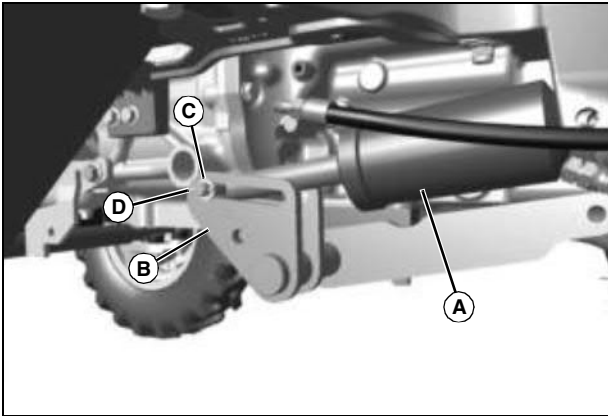


MX33878

- Position lift arm weldment (A) under transmission as shown.
- Install rockshaft bushings (B) in half clamps (C) with flanges toward inside or center of machine.
- Install lift arm weldment on transmission with two block clamps (D), two rockshaft bushings (B), two half clamps (C) and four M12x90 bolts (E).

# ASSEMBLY

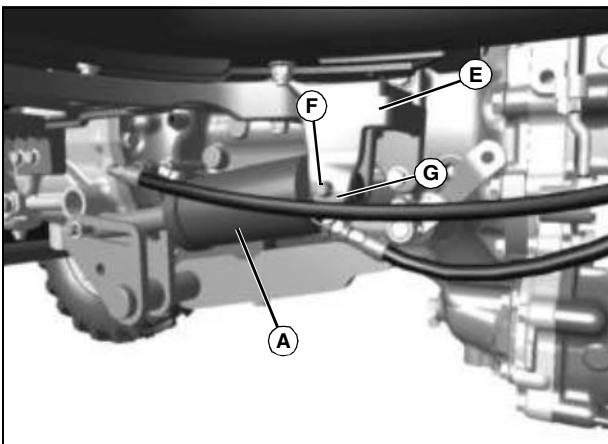
## Install Hydraulic Cylinder



MX33879

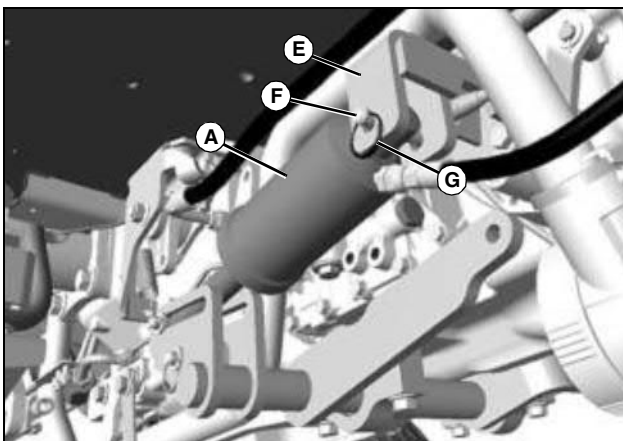
1. Attach rod end of cylinder (A) to lift arm weldment (B) with M12x60 pin, M12 washer (C) and cotter pin (D).

2. Attach head end of cylinder:



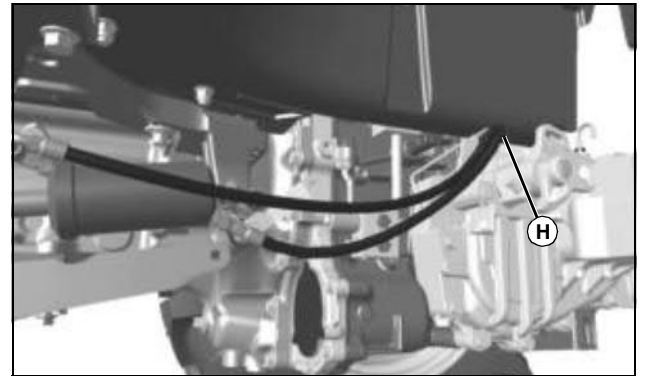
MX33880

- Tractor without cab: Attach head end of cylinder (A) to bracket (E) on bottom of left hand footdeck support with M12x60 pin (F) and locking ring (G).



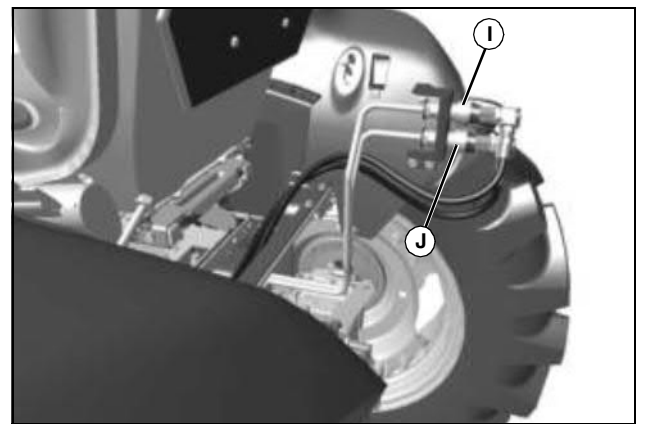
MX36419

- Tractor with cab: Attach head end of cylinder (A) to bracket (E) with M12x60 pin (F) and locking ring (G).



MX33881

3. Route cylinder hoses up through the opening (H) next to the left side ROPS.



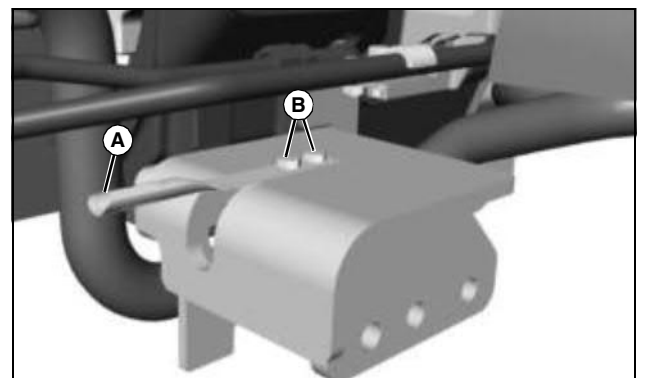
MX33882

4. Connect cylinder base end hose to top Third SCV outlet (I).

5. Connect cylinder rod end hose to bottom Third SCV outlet (J).

6. Tie hoses to hydraulic line about 15 cm (6 in.) behind bracket (E). Install more ties to secure hoses as needed.

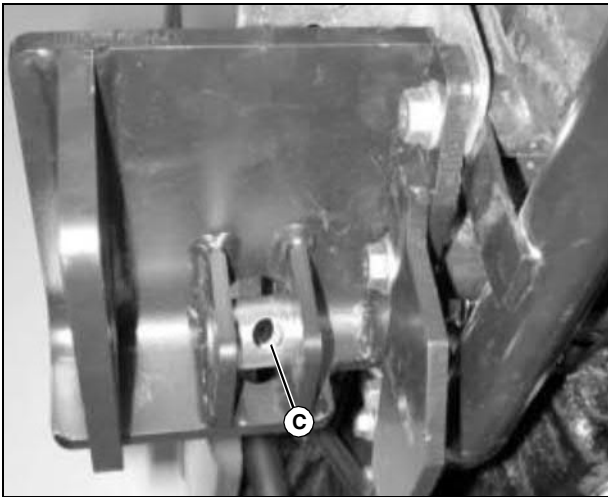
## Install Adjustable Depth Rod



MX21848

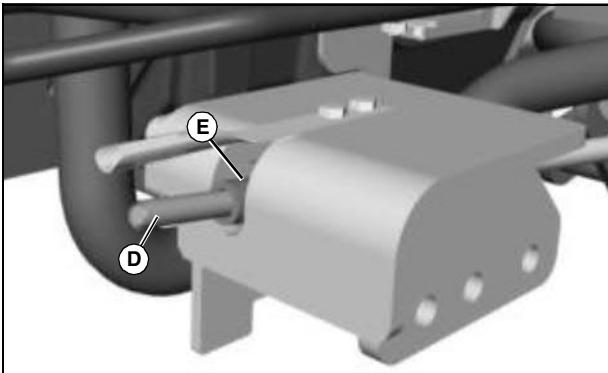
1. Install knob retainer (A) on left draft support with two M8x25 bolts (B), two M9 washers and two M8 nuts.

# ASSEMBLY



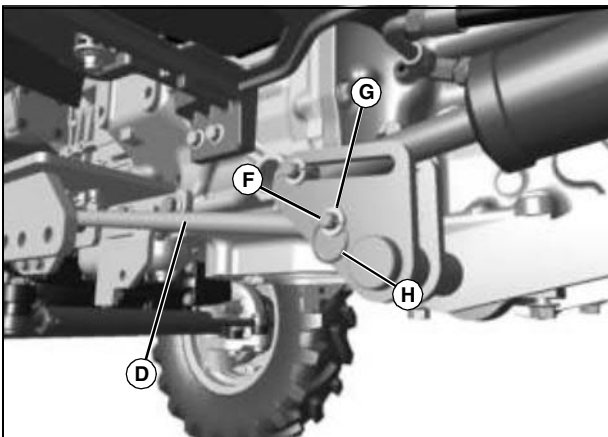
MX11319

2. Install depth stop (C) on left draft support.



MX21849

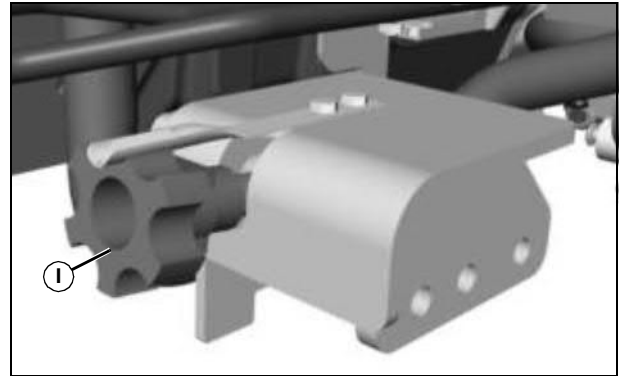
3. Install threaded end of adjustable depth rod (D) through depth stop.  
4. Install 14 mm x 25 mm bushing (E) on threaded end of rod.



MX33883

5. Attach other end of adjustable depth rod (D) to lift arm weldment with M12x60 pin (F), M12 washer (G) and locking ring (H).

**NOTE:** You may need to adjust the knob (I) to attach adjustable yokes to the mower.



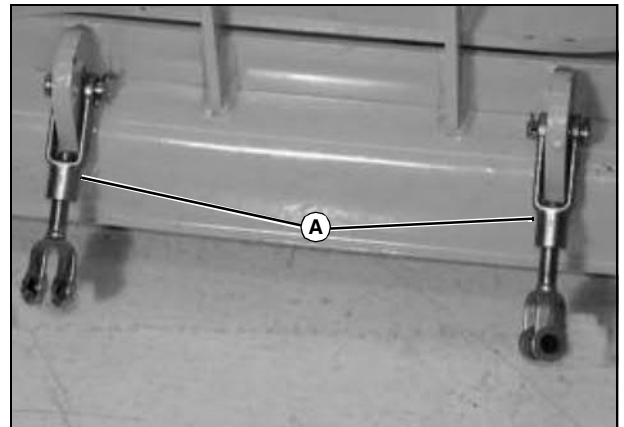
MX20908

6. Install knob (I) and thread it 4 - 5 turns onto the depth rod.

## Install Adjustable Yokes

**IMPORTANT:** Avoid damage! Do not adjust the yoke assemblies too short. If they are too short and the mower upstops contact the tractor chassis before the cylinder is at full stroke, damage may occur to the chassis casting by pulling the threaded bolt holes holding the rockshaft/lift arm assembly out of the casting.

**NOTE:** Yokes should be preset to 14cm center to center.

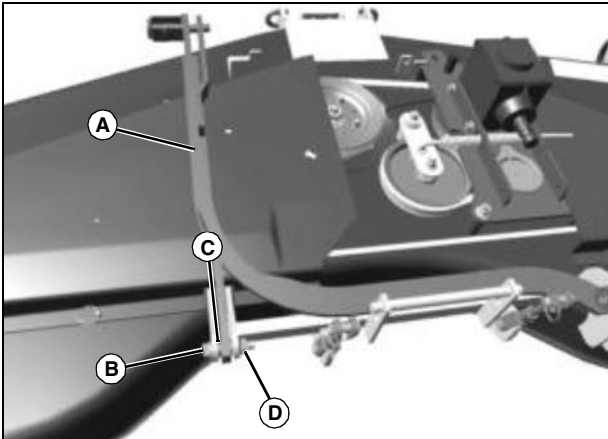


M63948

1. Install adjustable yoke assemblies (A) on the lift tabs on the rear of the mower with 12.5 mm x 37 mm pins and cotter pins (B).

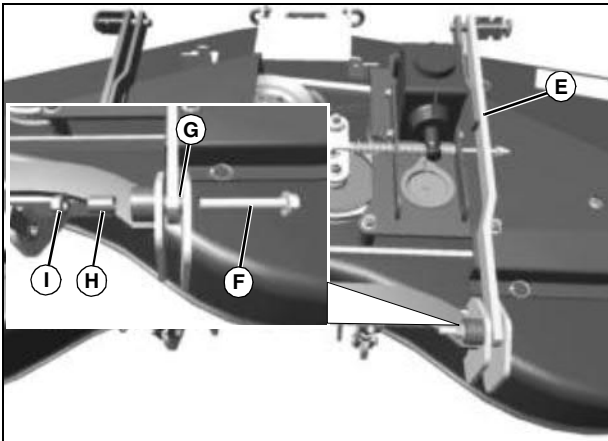
# INSTALLING

## Attach Draft Arms to Mower



MX33884

1. Loosely install draft arm (A) on left rear mower bracket with M12x60 bolt (B), 19 mm spacer (C) and M12 nut (D).



MX33885, MX33886

2. Install draft arm and draft arm bar (E) on right rear mower bracket with M12x90 bolt (F), 19 mm spacer (G), 27 mm spacer (H) and M12 nut (I).

## Installing

### Preparing Machine (Large Chassis Tractor)

#### Required Equipment

- Tractor Mid-PTO kit
- 72-Inch Mower Attaching Kit
- Installation on models 4500-4700 and 4510-4710 requires replacing the lift mounting plates included in the 72-inch Mower Attaching Kit. Contact your John Deere dealer.

#### Machine Setup

1. Park machine safely. (See Parking Safely in SAFETY.)
2. Follow machine operator's manual instructions to check tire pressure.
3. Follow instructions in ASSEMBLY in this manual.
4. Position mower on right side of machine.
5. Remove machine mid-PTO shield.

### Preparing Machine (Mid Chassis Tractor)

#### Required Equipment

- Third Selective Control Valve
- Tractor Mid-PTO
- 60-Inch Mower Attaching Kit

#### Machine Setup

1. Park machine safely. (See Parking Safely in SAFETY.)
2. Follow machine operator's manual instructions to check tire pressure.
3. Follow instructions in ASSEMBLY in this manual.
4. Position mower on right side of machine.
5. Remove machine mid-PTO shield.

### Installing Mower (Large Chassis Tractor)

#### Slide Mower Under Machine



**CAUTION: Avoid injury! Rotating blades are dangerous. Before adjusting or servicing mower:**

- Disconnect spark plug wire(s) or battery negative (-) cable to prevent engine from starting accidentally.
- Always wear gloves when handling mower blades or working near blades.



MX20620

1. Remove quick lock pin (A), and disconnect spring assembly (B) from both front wheel shafts to allow wheels to turn freely.
2. Install quick lock pins in both front wheel shafts.
3. Remove locking ring (C) and drilled pin (D) from both rear wheel shafts.
4. Turn rear wheels sideways. Install drilled pins and locking rings.
5. Turn machine steering wheel fully left.
6. Slide mower from right side of machine into position under lift system.

#### Adjust Lift Link and Pivot Link Lengths

**IMPORTANT: Avoid damage! To avoid damage to lift arms or deck when installing mower deck for the first time, verify that the dimensions of the lift link assembly and the pivot link assembly are within the specifications described below.**



**Suggest:**

**If the above button click is invalid.**

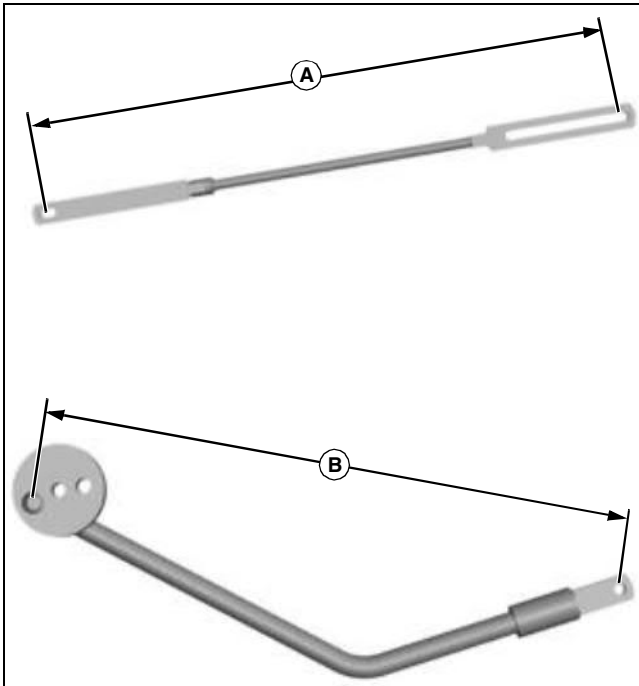
**Please download this document**

**first, and then click the above link**

**to download the complete manual.**

**Thank you so much for reading**

# INSTALLING



MX20621, MX20622

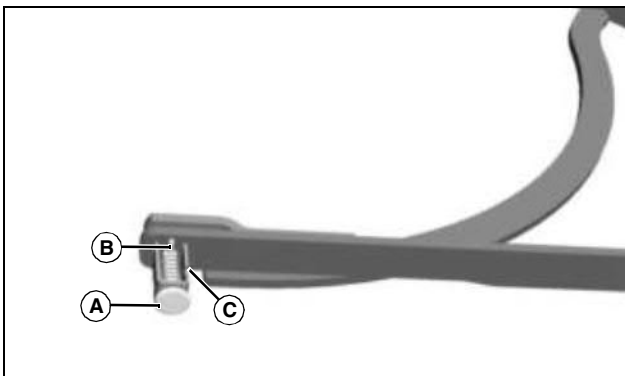
The lift link and pivot link lengths are set at the factory to the specifications required for a machine equipped with R3 Turf Tires (Rear 44x18-20, Front 27x10.50-15):

- Lift link assembly dimension (A) = 909 mm +/- 10 mm (35.8 +/- 0.4 in.).
- Pivot link assembly dimension (B) = 683 mm +/- 5 mm (26.9 +/- 0.2 in.).

For machines equipped with tires other than R3 Turf, adjust the lift link assembly dimension (A) on both sides as follows:

- Larger tires - increase lift link assembly dimension.
- Smaller tires - decrease lift link assembly dimension.

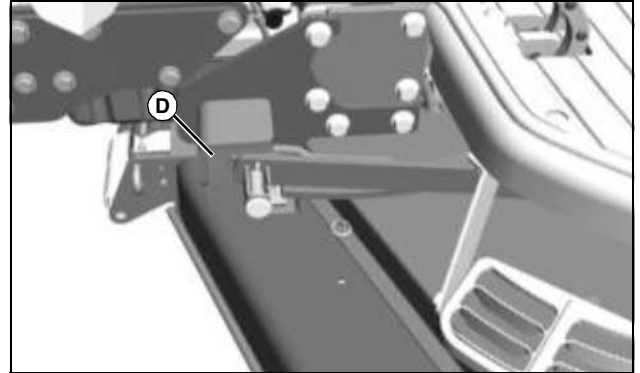
## Connect Draft Arms to Rear Draft Deck Supports



MX20632

1. Pull back on drilled pin (A) on end of draft arm and insert roll pin (B) into notch (C).

**IMPORTANT: Avoid damage! Pins must snap securely into holes.**

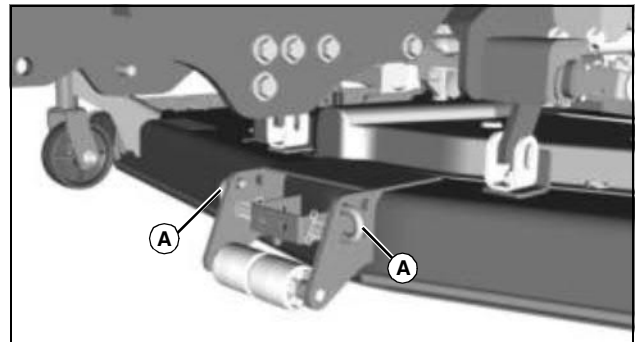


MX20623

2. Install draft arm fork on rear draft mower support (D). Release the drilled pin and be sure drilled pin is secure in fork and rear draft mower support.

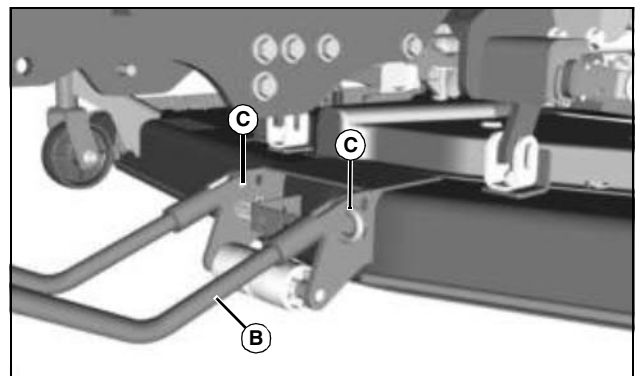
3. Repeat procedure for other side.

## Install Front Draft Pivot Assembly



MX20624

1. Pull J-pins (A) on front of mower outward and turn to unlocked position.



MX20625

2. Install front draft pivot assembly (B) on mower brackets.

- Machine models 4500-4700, 4510-4710, 4120-4720: Front draft pivot assembly must be installed in forward holes (C) on mower bracket as shown.

**IMPORTANT: Avoid damage! Pins must snap securely into holes.**

3. Pull J-pins outward and turn to locked position, securing front draft pivot assembly.

**<https://www.ebooklibonline.com>**

Hello dear friend!

Thank you very much for reading.

Enter the link into your browser.

The full manual is available for immediate download.

**<https://www.ebooklibonline.com>**