

**JOHN DEERE**  
**WORLDWIDE COMMERCIAL & CONSUMER**  
**EQUIPMENT DIVISION**

---

**2-Bag Bagger**  
**For EZtrak™ Series**

OMM162427 C0

**OPERATOR'S MANUAL**



**JOHN DEERE**

**Original Instruction**

All information, illustrations and specifications in this manual are based on the latest information at the time of publication. The right is reserved to make changes at any time without notice.

COPYRIGHT© 2010  
Deere & Co.

John Deere Worldwide Commercial and  
Consumer Equipment Division

All rights reserved  
Previous Editions  
COPYRIGHT© 2009

Export Version  
Litho in U.S.A.

# INTRODUCTION

DEALER PHONE:

\_\_\_\_\_

## Introduction

### Using Your Operator's Manual

Read this entire operator's manual, especially the safety information, before operating.

This manual is an important part of your machine. Keep all manuals in a convenient location so they can be accessed easily.

Use the safety and operating information in the attachment operator's manual, along with the machine operator's manual, to operate and service the attachment safely and correctly.

If your attachment manual has a section called Preparing the Machine, it means that you will have to do something to your tractor or vehicle before you can install the attachment. The Assembly and Installation sections of this manual provide information to assemble and install the attachment to your tractor or vehicle. Use the Service section to make any needed adjustments and routine service to your attachment.

If you have any questions or concerns with the assembly, installation, or operation of this attachment, see your local John Deere dealer or call the John Deere Customer Contact Center at 1-800-537-8233 for assistance.

Warranty information on this John Deere attachment can be found in the warranty that came with your John Deere tractor or vehicle.

### Machine Use

This machine is designed solely for use in customary lawn mowing operations. Use in any other way is considered as contrary to the intended use.

The manufacturer accepts no liability for damage or injury resulting from this misuse, and these risks must be borne solely by the user. Compliance with and strict adherence to the conditions of operation, service and repair as specified by the manufacturer also constitute essential elements for the intended use.

This machine should be operated, serviced and repaired only by persons familiar with all its particular characteristics and acquainted with the relevant safety rules (accident prevention). The accident prevention regulations, all other generally recognized regulations on safety and occupational medicine and the road traffic regulations must be observed at all times.

Setting fuel delivery beyond published factory specifications or otherwise overpowering will result in loss of warranty protection for this machine.

Any arbitrary modifications carried out on this machine will relieve the manufacturer of all liability for any resulting damage or injury.

## Product Identification

### Product Compatibility

#### 2-Bag Bagger

The 2-Bag Bagger is compatible with the Residential Zero Turn Mowers: Z425- Serial No. (080001 - )

This 2-Bag Bagger and Chute are to be used with the POWER FLOW for a complete bagging system.

### Record Purchase Information

Record your purchase information in the spaces provided below.

DATE OF PURCHASE:

\_\_\_\_\_

DEALER NAME:

\_\_\_\_\_

### Register Your Product and Warranty Online

To register your product through the Internet, simply go to [www.JohnDeereWarrantyRegistration.com](http://www.JohnDeereWarrantyRegistration.com). Completing the information, either online or with the product warranty card, will ensure the customer that their product receives all post sales service and important product information.

## Safety Labels



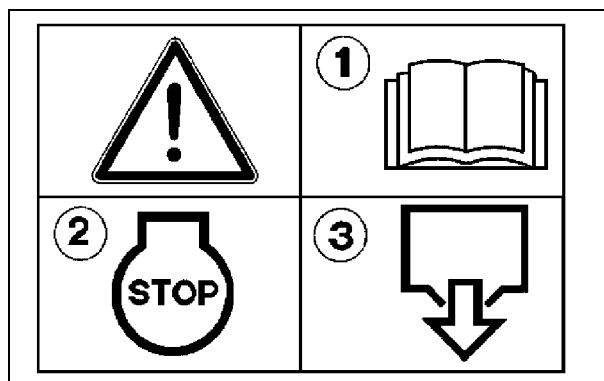
### Pictorial Safety Signs

At several important places on this machine safety signs are affixed intended to signify potential danger. The hazard is identified by a pictorial in a warning triangle. An adjacent pictorial provides information how to avoid personal injury.

These safety signs, their placement on the machine and a brief explanatory text are shown in this Safety section.

There can be additional safety information contained on parts and components sourced from suppliers that is not reproduced in this operator's manual.

### Check Bag - M122118



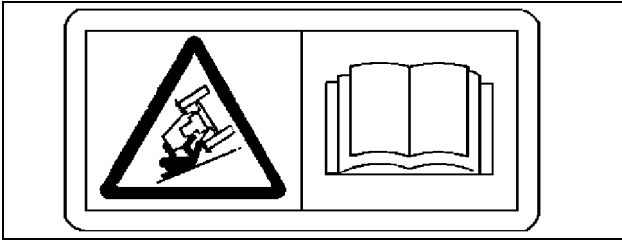
M122118

- Bag is subject to wear and deterioration.
- Check bag frequently, replace when necessary.
- Use John Deere bag or equivalent to comply with safety specifications.
- Read Operator's Manual
  - The operator's manual contains important information necessary for safe machine operation. Observe all safety rules to avoid accidents.

# SAFETY

## Caution - M122119

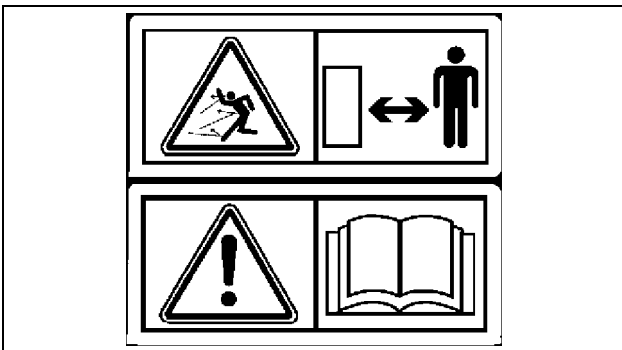
### Avoid Injury From Tipping



M122119

- Do not drive where machine could slip or tip.
- See operator's manual for required ballast to maintain steering control and stability.

## Caution - M129037



M129037

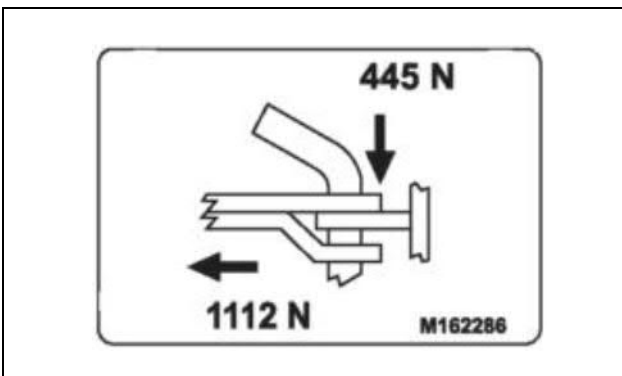
### Avoid Injury From Thrown Objects

- Operate mower with complete bagging attachment in place.
- Do not open catcher while blades are turning.
- Shut off engine before removing or installing bag.
- Keep bystanders away while engine is running.

### Read Operator's Manual

- The operator's manual contains important information necessary for safe machine operation. Observe all safety rules to avoid accidents.

## Warning - M162286



M162286

- Maximum Tongue Weight - 445 N (100 lb.)

- Maximum Towable Weight - 1112 N (250 lb.)

## Safety

### Read Safety in Machine Operator's Manual

Read the general safety operating precautions in your machine operator's manual for additional safety information.

### Operating Safely

Read, understand and follow all instructions in this attachment manual, the machine operator's manual and safety signs on equipment before starting. Use proper front ballast. Remove ballast when the material collection system is removed.

Hopper extends beyond machine. Be aware of surrounding objects when making short turns.

Do not operate material collection system unless entire grass catcher is fastened in place with hopper cover securely latched.

Do not let anyone ride on the mower or material collection system. Riders are subject to injury such as being struck by foreign objects or being thrown off. Riders may obstruct the operator's view and cause a collision.

### Before bag removal or installation:

- Stop mower.
- Disengage mower or PTO.
- Stop engine and remove key.
- Wait for engine and all moving parts to stop before leaving the operator seat.

### Before backing up machine:

- Stop machine.
- Look behind hopper for children.
- Keep bystanders away when unloading material collection system.

### Operate safely on slopes:

- Empty bags when they are half full.
- Do not operate on steep slopes.
- Before turning, slow down.
- Avoid sudden starts and stops.
- Do not park machine with material collection system on slopes.

### Bag and Hose Maintenance:

- Bag and hose are subject to wear and deterioration.
- Check bag and hose frequently; replace when necessary.
- Use John Deere bag and hose or equivalent to comply with safety specifications.
- Do not leave clippings in bags overnight.

### Parking Safely

1. Stop machine on a level surface, not on a slope.
2. Disengage mower blades or any other attachments.
3. Lower attachments to the ground.
4. Lock the park brake.
5. Stop the engine.

**<https://www.ebooklibonline.com>**

Hello dear friend!

Thank you very much for reading.

Enter the link into your browser.

The full manual is available for immediate download.

**<https://www.ebooklibonline.com>**

**<https://www.ebooklibonline.com>**

Hello dear friend!

Thank you very much for reading.

Enter the link into your browser.

The full manual is available for immediate download.

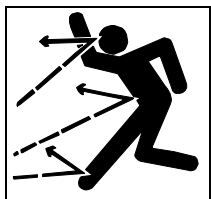
**<https://www.ebooklibonline.com>**

# PREPARING VEHICLE

6. Remove the key.
7. Wait for engine and all moving parts to stop before you leave the operator's seat.
8. Close fuel shut-off valve, if your machine is equipped.
9. Disconnect the negative battery cable or remove the spark plug wire(s) (for gasoline engines) before servicing the machine.

## Protect Children

- Tragic accidents can occur if the operator is not alert to the presence of children. Keep children indoors when the machine and attachment are operated and under the watchful care of another responsible adult.
- Never assume that children will remain where you last saw them. Stay alert to the presence of children. Turn the machine off if a child enters the work area.
- Do not let children or an untrained person operate the machine.
- Do not carry or let children ride on any attachment or machine even with the attachment off. Do not tow children in a cart or trailer.



## Avoid Injury From Thrown Objects

- When operating the vehicle with the MCS attachment installed make sure all chutes and hoses are securely in place. Keep hopper closed or MCS in operating position.
- Stop the engine and wait for all moving parts to stop before removing or lifting any attachment components.

- Avoid injury from impeller blades and thrown objects. Remove attachment when operating vehicle in side discharge mode. Make sure deflector shield is in place on mower deck if attachment is removed.



## Avoid Injury From Rotating Blades

- Keep hands and feet away from rotating blades and blower assembly when engine is running.

- Stop engine and wait for moving parts to stop before servicing components.
- Do not operate MCS or blower unless all attachment components are in place and latched.

## Practice Safe Maintenance

- Only qualified, trained adults should service this machine.
- Understand service procedure before doing work. Keep area clean and dry.
- Do not operate the engine in a confined space where dangerous carbon monoxide fumes can collect.
- Never lubricate, service or adjust the machine or attachment while it is moving. Keep safety devices in place and in working condition. Keep hardware tight.
- Keep hands, feet, clothing, jewelry, and long hair away from any moving parts, to prevent them from getting caught.
- Lower any attachment completely to the ground or to an existing attachment mechanical stop before servicing the attachment. Disengage all power and stop the engine. Lock park brake and remove the key. Let machine cool.
- Disconnect battery or remove spark plug wire (for gasoline engines) before making any repairs.

- Before servicing machine or attachment, carefully release pressure from any components with stored energy, such as hydraulic components and springs.
- Release hydraulic pressure by lowering attachment or cutting units to the ground or to a mechanical stop and move hydraulic control levers.
- Securely support any machine or attachment elements that must be raised for service work. Use jack stands or lock service latches to support components when needed.
- Never run engine unless park brake is locked.
- Keep all parts in good condition and properly installed. Fix damage immediately. Replace worn or broken parts. Replace all worn or damaged safety and instruction decals.
- Check all hardware at frequent intervals to be sure the equipment is in safe working condition.
- Do not modify machine or safety devices. Unauthorized modifications to the machine or attachment may impair its function and safety.

## Preparing Vehicle

### Remove Mulch Kit



**CAUTION: Avoid injury! Mower blades are sharp. Always wear gloves when handling mower blades or working near blades.**

The Mulch Kit is not compatible with the installation of the 7-Bushel Rear Bagger and 7-Bushel Power Flow systems. If a Mulch Kit is installed on the mower, it must be removed along with the mulch plug, attaching hardware and mulching blades.

### Install Proper Mower Blades



**CAUTION: Avoid injury! Blades are sharp. Always wear gloves when handling blades or working near blades.**

**IMPORTANT: Avoid damage! When replacing mower blades, always use genuine John Deere Service Parts.**

- For best performance, always use correct mower blade for job being performed.
- Always follow safety and service instructions in the machine operator's manual when changing mower blades.

For maximum bagging performance, install the correct blades for mower.

### 48 Mower Decks

- Standard Blades: There is only a standard design mower blade available for these mowers. This blade is designed for all mowing applications, except for mulching.
- Mulching Blades: Not to be used with material collection system; not enough air flow. Should be used only with the optional mulch kit.

### Install Mower Lip Sections

Optional bolt-on lip sections provide various advantages when bagging. Lip Kits are not available for all mower models. See your John Deere dealer for availability.



**Suggest:**

**If the above button click is invalid.**

**Please download this document**

**first, and then click the above link**

**to download the complete manual.**

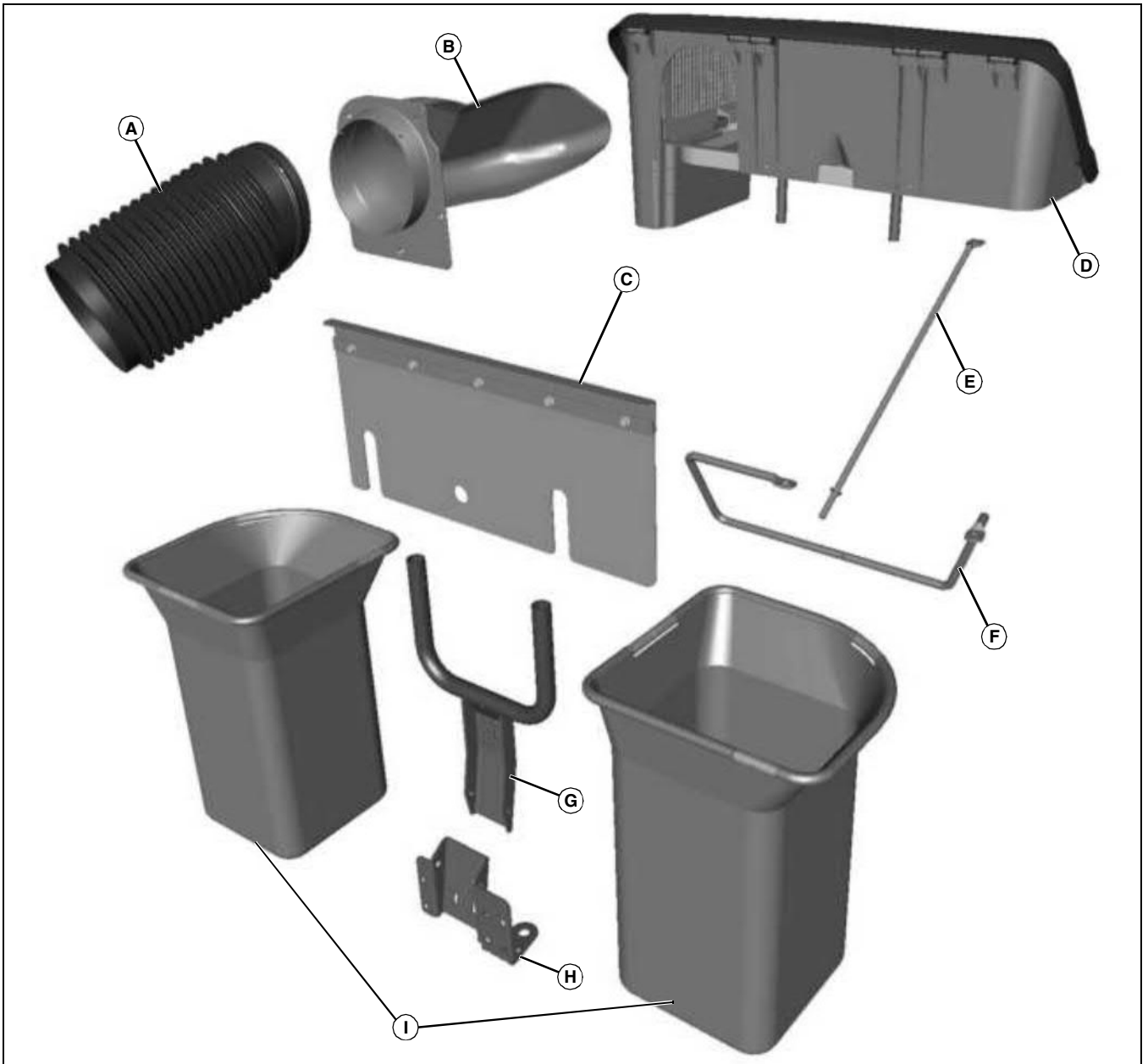
**Thank you so much for reading**

# ASSEMBLY

## Bagger and Hopper Parts

### Assembly

#### Identify Parts



MX44773

Qty.	Description	Qty.	Description
1	Adapter, Upper Chute (A)	1	Support Rod (F)
1	Upper Discharge Chute (B)	1	H-Frame (G)
1	Shield (C)	1	Mounting Post Bracket (H)
3	Hopper Top (D)	1	Grass Bag (I)
2	Gusset Rod (E)		