

JOHN DEERE
WORLDWIDE COMMERCIAL & CONSUMER
EQUIPMENT DIVISION

Heavy Duty Snowblower
47-Inch

OMM144663 I0

OPERATOR'S MANUAL



North American Version
Litho in U.S.A.

INTRODUCTION

Thank You for Purchasing a John Deere Product

We appreciate having you as a customer and wish you many years of safe and satisfied use of your machine.

Using Your Operator's Manual

This manual is an important part of your machine and should remain with the machine when you sell it.

Reading your operator's manual will help you and others avoid personal injury or damage to the machine. Information given in this manual will provide the operator with the safest and most effective use of the machine. Knowing how to operate this machine safely and correctly will allow you to train others who may operate this machine.

This manual and safety signs on your machine may also be available in other languages (see your John Deere dealer to order).

Sections in your operator's manual are placed in a specific order to help you understand all the safety messages and learn the controls so you can operate this machine safely. You can also use this manual to answer any specific operating or servicing questions. A convenient index located at the end of this book will help you to find needed information quickly.

The machine shown in this manual may differ slightly from your machine, but will be similar enough to help you understand our instructions.

RIGHT-HAND and LEFT-HAND sides are determined by facing in the direction the machine will travel when going forward. When you see a broken line arrow (----->), the item referred to is hidden from view.

Before delivering this machine, your dealer performed a predelivery inspection to ensure best performance.

Special Messages

Your manual contains special messages to bring attention to potential safety concerns, machine damage as well as helpful operating and servicing information. Please read all the information carefully to avoid injury and machine damage.



CAUTION: Avoid injury! This symbol and text highlight potential hazards or death to the operator or bystanders that may occur if the hazards or procedures are ignored.

IMPORTANT: Avoid damage! This text is used to tell the operator of actions or conditions that might result in damage to the machine.

NOTE: General information is given throughout the manual that may help the operator in the operation or service of the machine.

PRODUCT IDENTIFICATION

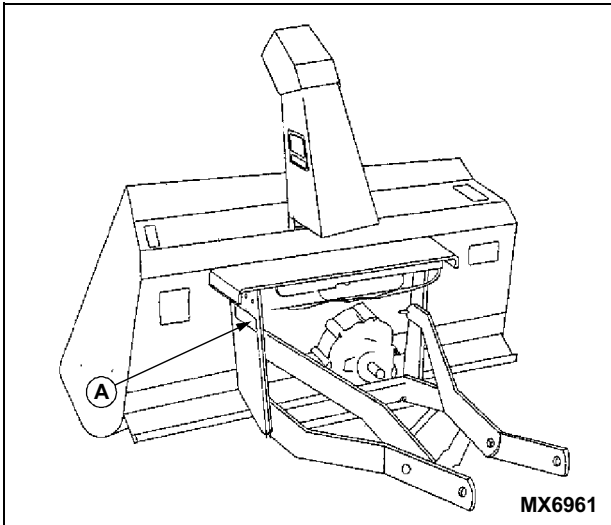
Record Identification Numbers

Heavy Duty Snowblower

47-Inch Serial No. (010001 -)

If you need to contact an Authorized Service Center for information on servicing, always provide the product model and serial number.

You will need to locate the model and serial number for the mower deck and record the information in the spaces provided below.



DATE OF PURCHASE:

DEALER NAME:

DEALER PHONE:

SERIAL NUMBER (A):

<https://www.ebooklibonline.com>

Hello dear friend!

Thank you very much for reading.

Enter the link into your browser.

The full manual is available for immediate download.

<https://www.ebooklibonline.com>

TABLE OF CONTENTS

Safety	1
Preparing Vehicle	5
Installing	6
Removing	8
Operating	10
Replacement Parts	14
Service Intervals	15
Service Lubrication	16
Service	18
Troubleshooting	21
Storage	22
Assembly	23
Specifications	27
Index	28

All information, illustrations and specifications in this manual are based on the latest information at the time of publication. The right is reserved to make changes at any time without notice.

COPYRIGHT© 2000
Deere & Co.

John Deere Worldwide Commercial and
Consumer Equipment Division
Horicon, WI

All rights reserved
Previous Editions
COPYRIGHT©

OMM144663 I0 - English

SAFETY

Understanding The Machine Safety Labels

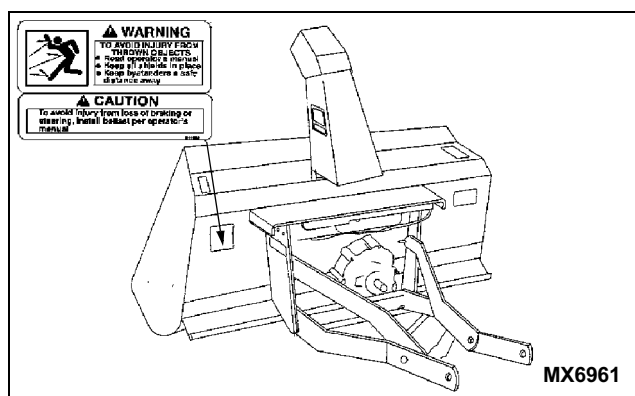


The machine safety labels shown in this section are placed in important areas on your machine to draw attention to potential safety hazards.

On your machine safety labels, the words DANGER, WARNING, and CAUTION are used with this safety-alert symbol, (▲). DANGER identifies the most serious hazards.

The operator's manual also explains any potential safety hazards whenever necessary in special safety messages that are identified with the word, CAUTION, and the safety-alert symbol, (▲).

WARNING



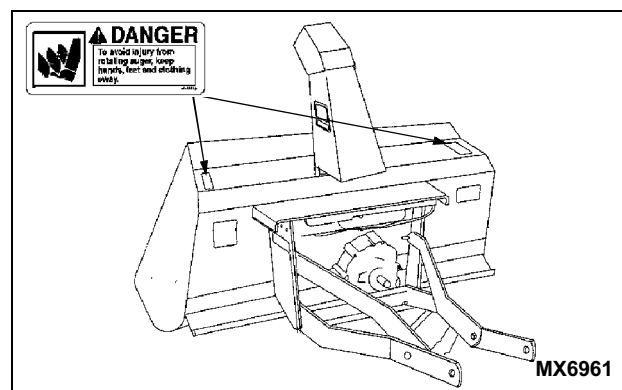
TO AVOID INJURY FROM THROWN OBJECTS

- Read operator's manual.
- Keep all shields in place.
- Keep bystanders a safe distance away.

CAUTION

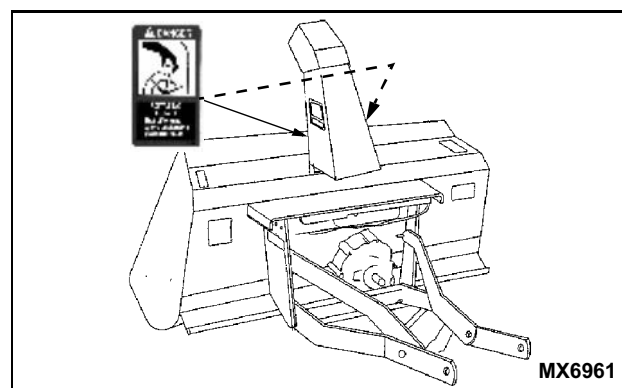
To avoid injury from loss of braking or steering, install ballast per operator's manual.

DANGER



To avoid injury from rotating auger, keep hands, feet and clothing away.

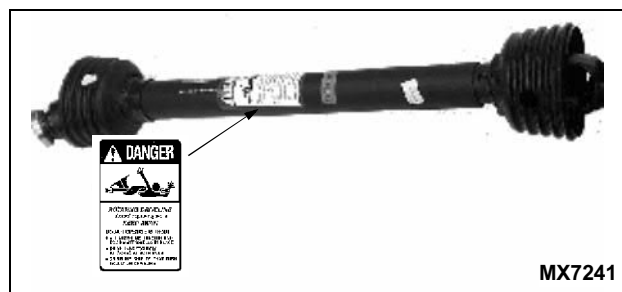
DANGER



ROTATING BLOWER

Shut off engine before unclogging discharge chute.

DANGER



ROTATING DRIVELINE

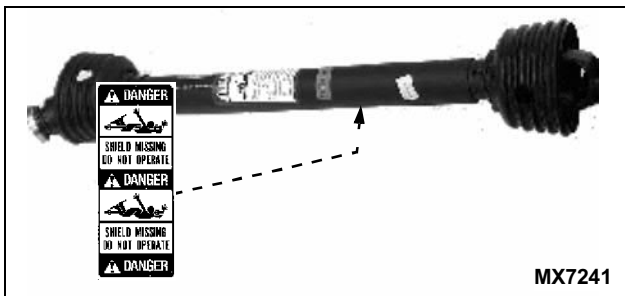
CONTACT CAN CAUSE DEATH

Keep away, do not operate without:

SAFETY

- All driveline guards, tractor and equipment shields in place.
- Driveline securely attached at both ends.
- Driveline guards that turn freely on driveline.

DANGER



Shield missing do not operate.

Park Vehicle Safely

- Stop vehicle on a level surface, not on a slope.
- Disengage PTO.
- Lock the park brake.
- Stop the engine.
- Remove the key.
- Before you leave the operator's seat, wait for engine and all moving parts to stop.

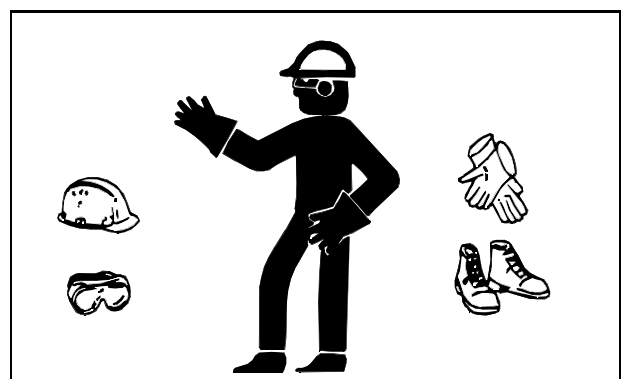
Operate Safely



- Read, understand and follow all instructions in the manual and on the machine before starting.
- Only allow responsible adults, who are familiar with the instructions to operate the machine.

- Check vehicle brake action before you operate. Adjust or service brakes as necessary.
- Inspect machine before you operate. Be sure hardware is tight. Repair or replace damaged, badly worn, or missing parts. Be sure guards and shields are in good condition and fastened in place. Make any necessary adjustments before you operate.
- Clear work area of objects that might be thrown. Keep people and pets out of the work area. Stop machine if anyone enters the area.
- DO NOT throw snow toward people, buildings or cars.
- If you hit an object, stop the machine and inspect it. Make repairs before you operate. Keep machine properly maintained and in good working order.
- Look carefully behind front mower before you back up, especially for children.
- DO NOT leave machine unattended when it is running.
- Only operate during daylight or with good artificial light.
- DO NOT let anyone, especially children, ride on machine or vehicle.
- DO NOT let children or an untrained person operate machine.
- DO NOT wear radio or music headphones while operating the machine. Safe operation requires your full attention.
- DO NOT operate machine if you are under the influence of drugs or alcohol.

Wear Appropriate Clothing



- Wear close fitting clothing and safety equipment appropriate for the job.
- Always wear safety goggles or safety glasses with side shields when operating the mower.
- Wear a suitable protective device such as earplugs. Loud noise can cause impairment or loss of hearing.

SAFETY

- Do not wear radio or music headphones. Safe service and operation requires your full attention.

Stay Clear of Rotating Drivelines



Entanglement in rotating driveline can cause serious injury or death:

- Wear close fitting clothing.
- STOP the engine and be sure PTO driveline is stopped before getting near it.
- Keep tractor master shield and driveline shields in place at all times. Make sure rotating shields turn freely.

Avoid Injury From Hitting Obstructions



- Raise snowblower when you drive between jobs.
- Slow down when you remove snow.

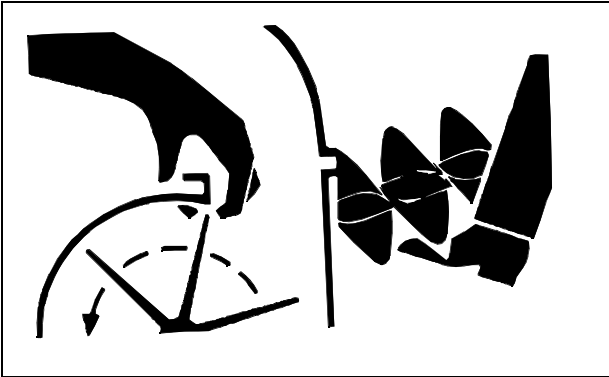
Practice Safe Maintenance



- Understand service procedure before doing work. Keep area clean and dry.
- Never lubricate, service, or adjust machine while it is moving. Keep safety devices in place and in working condition. Keep hardware tight.
- Keep hands, feet, clothing, jewelry, and long hair away from any moving parts, to prevent them from getting caught.
- Lower attachments to the ground before servicing machine. Disengage all power and stop the engine. Lock park brake and remove the key. Let machine cool.
- Before servicing the machine, carefully release pressure from any components with stored energy, such as hydraulic components.
- Keep all nuts and bolts tightened, especially blade attachment bolts.
- Securely support any machine elements that must be raised for service work.
- Keep all parts in good condition and properly installed. Fix damage immediately. Replace worn or broken parts. Replace all worn or damaged safety and instruction decals.
- Do not modify machine or safety devices. Unauthorized modifications may impair its function and safety.
- Do not wear radio or music headphones while servicing the machine. Safe service requires your full attention.

SAFETY

Avoid Injury from Moving Parts



- Keep hands, feet and clothing away from snowblower and discharge chute when auger is turning.
- Stop auger when you are not throwing snow.
- Stop vehicle engine before you unplug, repair, or adjust snowblower.

Avoid High Pressure Fluids



- Hydraulic hoses can fail due to physical damage, kinks, age, and exposure. Check hoses regularly. Replace damaged hoses.
- Escaping fluid under pressure can penetrate the skin causing serious injury. Avoid the hazard by relieving pressure before disconnecting hydraulic or other lines. Tighten all connections before applying pressure.
- Search for leaks with a piece of cardboard. Protect hands and body from high pressure fluids.
- If an accident occurs, see a doctor immediately. Any fluid injected into the skin must be surgically removed within a few hours or gangrene may result. Doctors unfamiliar with this type of injury should reference a knowledgeable medical source. Such information is available from Deere & Company Medical Department in Moline, Illinois, U.S.A.

PREPARING VEHICLE

Preparing the Front Mower

IMPORTANT: Avoid damage! Remove any attachment before installing the snowblower.

1. Remove any front attachment.
2. Install the auxiliary hydraulic kit. (See your John Deere dealer to order.)
3. Check tire pressure.

Installing Weights and Chains



CAUTION: Avoid injury!

- Ballasting is required for safe operation of the snowblower.
- When the snowblower is removed, remove any weights that were added to the front mower.

Install rear weight kit, with four 19 kg (42 lb) weights. Follow instructions provided with kit.

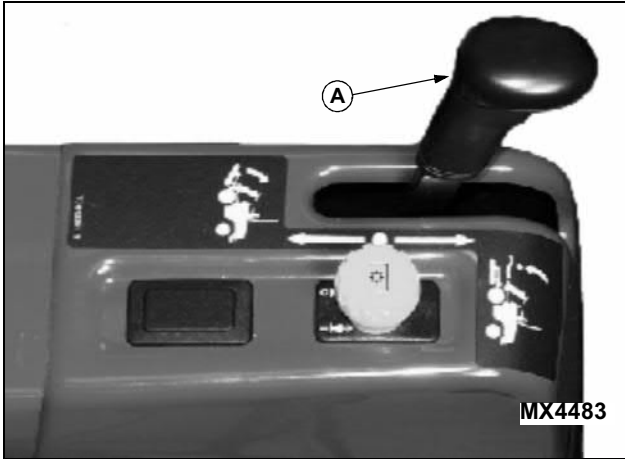
Tire chains and drive wheel weights may also be used, if needed. (See your John Deere dealer to order.)

Install liquid weight in front tires, if needed. (See your front mower operator's manual.)

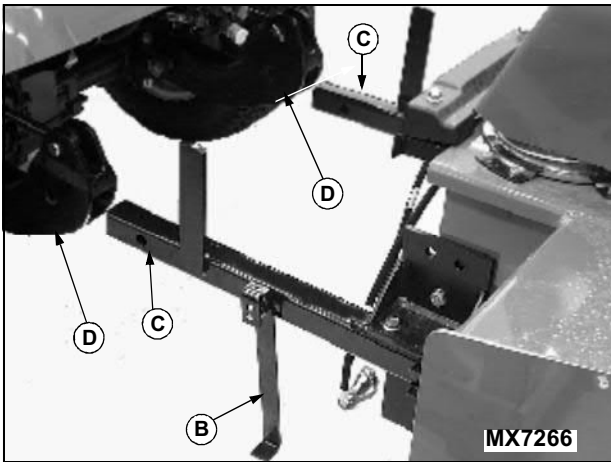
INSTALLING

Installing Snowblower

1. Park machine safely. (See Parking Safely in the Safety section.)



2. Push hydraulic lift lever (A) all the way forward to the float position. This will allow the front mower lift arm to be moved up or down by hand.



3. Lower support stand (B).

4. Position snowblower assembly in front of vehicle, so the snowblower lift arms (C) are aligned with vehicle lift arms (D). If necessary manually move snowblower lift arms for proper alignment.



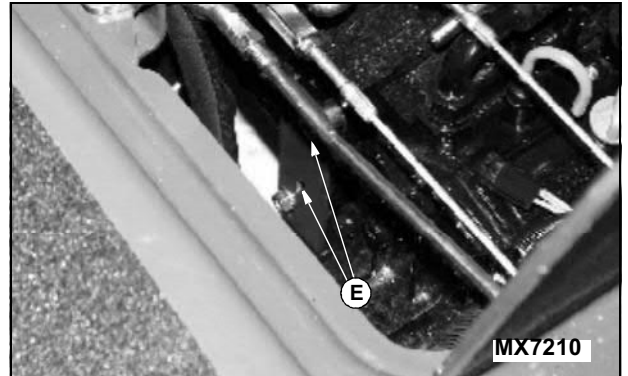
CAUTION: Avoid injury! Do not allow other individuals or other vehicles in work area while the transmission is in neutral.

5. Unlock park brake.

6. Turn two screws 3/4 of the way around to unlatch service hatch.

7. Lift service hatch on the front mower.

NOTE: The transmission disengage is under the service door and on the right side of machine.

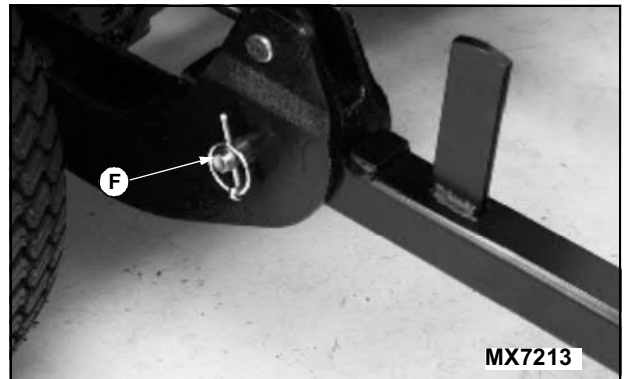


8. Push in two buttons (E) to disengage transmission. Buttons will come back out when you start engine.

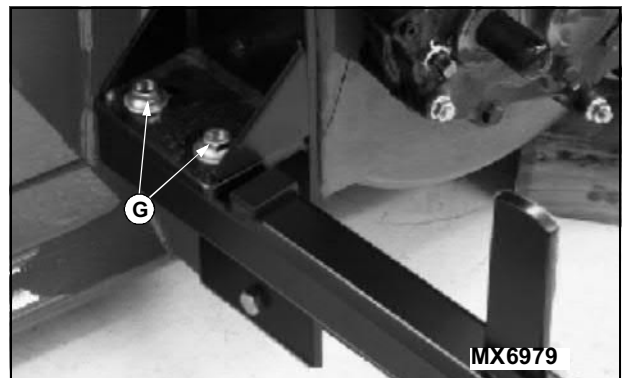
9. Push front mower forward to connect snowblower assembly to the lift arms.

10. Lower service hatch.

11. Lock park brake.



12. Install one drilled pin (F) in lift arm on each side and secure with one quick lock pin on each side.



13. For initial installation, tighten bolts (G) and nuts on snowblower lift arms.

14. Put end of driveline up on front axle so as not to get caught under the vehicle.

INSTALLING

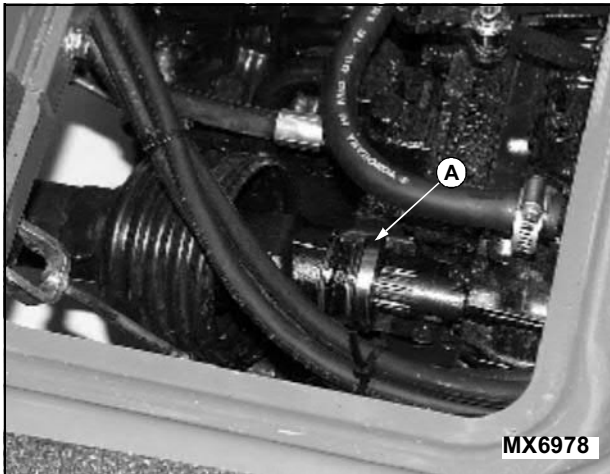
Connecting Driveline



CAUTION: Avoid injury! Stay clear of rotating drivelines:

Stop the engine and be sure the PTO driveline is stopped before getting near it.

1. Open service hatch.



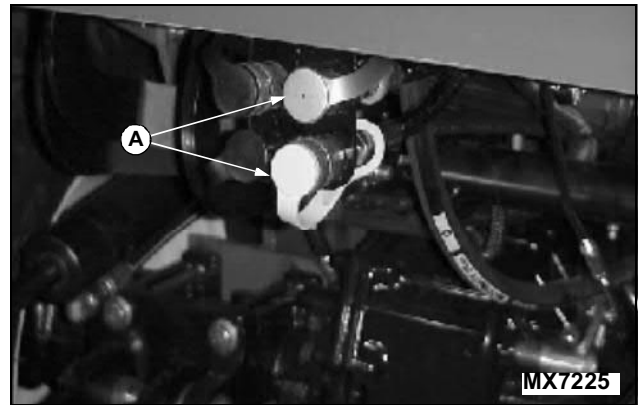
2. Reach through and pull back coupler sleeve (A) on driveline.
3. Align splines in coupler with driveshaft. Slide driveline onto driveshaft until coupler sleeve locks.
4. Slide driveline back and forth to make sure driveline is properly locked.
5. Close service hatch.

Connecting Hydraulic Hoses

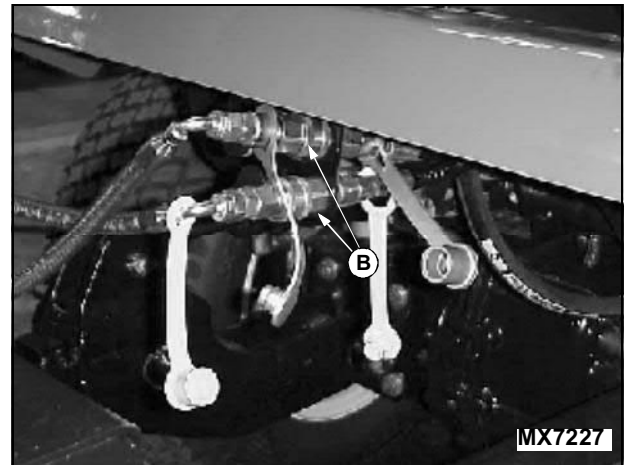


CAUTION: Avoid injury! Escaping fluid under pressure can penetrate the skin causing serious injury. Avoid the hazard by relieving pressure before disconnecting hydraulic or other lines. Tighten all connections before applying pressure. Search for leaks with a piece of cardboard. Protect hands and body from high pressure fluids.

1. Move both hydraulic control levers back and forth several times to relieve pressure in the hydraulic system.



2. Pull dust plugs and covers (A) from hydraulic outlets and hoses.



3. Push in on coupler sleeve (B). Fasten hoses to proper coupler:
 - Rod end cylinder hose to top right hydraulic outlet (gray).
 - Head end cylinder hose to bottom right hydraulic outlet (yellow).
4. Pull hoses to be sure couplers are locked.
5. Push coupler dust plugs into hose dust covers.
6. Start engine. Operate hydraulic control levers several times to fill cylinder and hoses with fluid.
7. Stop engine. Check transmission/hydraulic oil level. (See your Front Mower operator manual.)
8. Lift support stand to its storage location.



Suggest:

If the above button click is invalid.

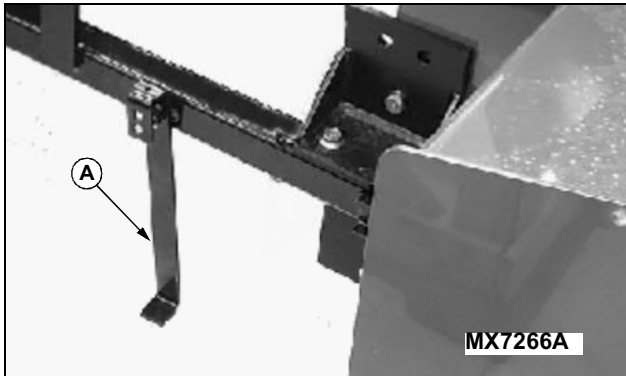
Please download this document first, and then click the above link to download the complete manual.

Thank you so much for reading

REMOVING

Removing the Snowblower

1. Park snowblower at storage area on a level surface.

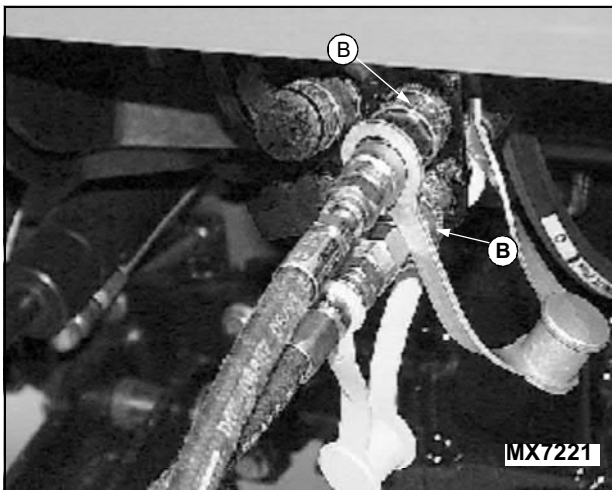


2. Lower support stand (A).
3. Lower snowblower to the ground.
4. Lock park brake.
5. Stop engine and remove key.

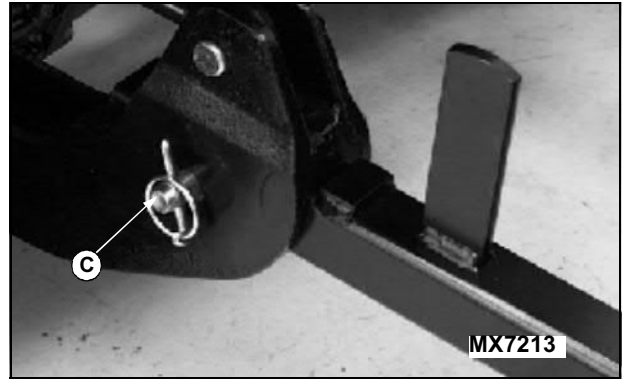


CAUTION: Avoid injury! Escaping fluid under pressure can penetrate the skin causing serious injury. Avoid the hazard by relieving pressure before disconnecting hydraulic or other lines. Tighten all connections before applying pressure. Search for leaks with a piece of cardboard. Protect hands and body from high pressure fluids.

6. Move both hydraulic control levers back and forth several times to relieve pressure in the hydraulic lines.



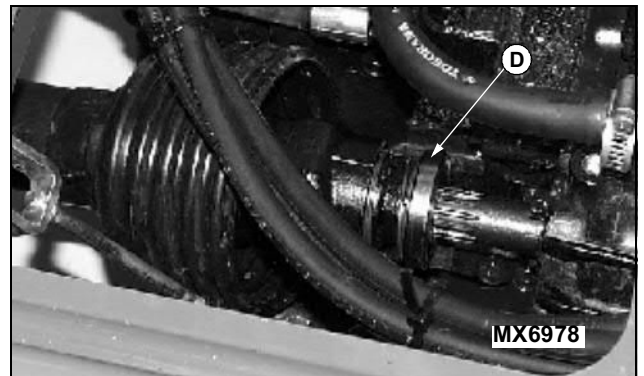
7. Push in on coupler sleeves (B) to disconnect hoses from couplers. Push dust plugs into couplers.
8. Put dust covers over hydraulic hose fittings to keep dirt from entering the hydraulic system.



9. Remove quick lock pin and drilled pin (C).
10. Repeat on the other side.
11. Open service hatch.



**CAUTION: Avoid injury! Stay clear of rotating drivelines:
Stop the engine and be sure the PTO driveline is stopped before getting near it.**



12. Reach through and pull back coupler sleeve (D) on driveline.
13. Pull coupler off driveshaft.

<https://www.ebooklibonline.com>

Hello dear friend!

Thank you very much for reading.

Enter the link into your browser.

The full manual is available for immediate download.

<https://www.ebooklibonline.com>