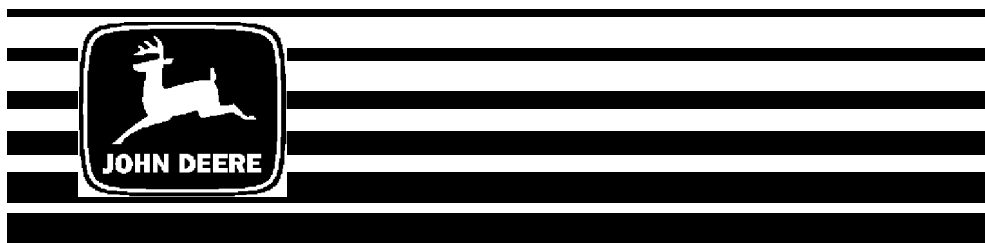


47-Inch Front Mount Snowblower for F900 Series and F1145

(Serial No. 070001 –)



OPERATOR'S MANUAL

John Deere
Lawn & Grounds Care Division
OMM139678 J8

North American Version
Litho in U.S.A
English

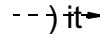
INTRODUCTION

THANK YOU for purchasing a John Deere product.

Read this manual and your vehicle manual thoroughly. Failure to do so could result in personal injury or equipment damage.



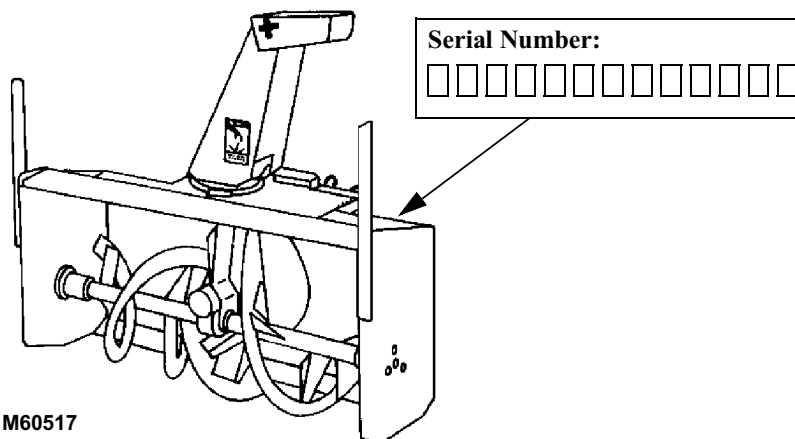
This manual should be considered a permanent part of your machine and should remain with the machine when you sell it.

Measurements in this manual are metric units and their U.S. customary equivalents. RIGHT-HAND and LEFT-HAND sides are determined by facing in the direction the machine will travel when going forward. When you see a broken line arrow () it indicates the part it is pointing to is hidden.

Product warranty is provided as part of John Deere's support program for customers who operate and maintain their equipment as described in this manual. The product warranty is explained on the warranty certificate you received from your dealer.

Record identification numbers below. Be sure to record all the numbers to help in tracing the machine if it is stolen. You also need to give these numbers to your dealer when you order parts.

Date of Purchase: _____	Dealer Name: _____	Phone: _____
-----------------------------------	------------------------------	------------------------



M60517

TABLE OF CONTENTS

	Page
Safety Signs	
Safety-Alert Symbol	1
Machine Safety Labels	1
Preparing the Vehicle	
Install Auxiliary Hydraulic Kit.....	3
Install Weights and Chains	3
Install Lift Cylinder Orifices (F900 Series)	4
Installing	
Park Vehicle Safely.....	5
Avoid High Pressure Fluids	5
Put Lever in Float Position.....	6
Disengage Transmission (F900 Series)	6
Moving F1145 Front Mower with Engine Off	6
Line Up Front Mower with Snowblower	7
Install Lift Arm Pins	8
Connect Driveline	9
Relieve Hydraulic Pressure	10
Connect Wheel Cylinder Hoses (F900 Series).....	10
Connect Chute Cylinder Hoses	11
Removing	
Park Vehicle Safely.....	12
Avoid High Pressure Fluids	12
Park Front Mower and Snowblower.....	13
Disengage Transmission F900 Series Tractors.....	13
Relieve Hydraulic Pressure	13
Disconnect Hoses.....	14
Disconnect Driveline	14
Remove Snowblower.....	15

OMM139678 J8

<https://www.ebooklibonline.com>

Hello dear friend!

Thank you very much for reading.

Enter the link into your browser.

The full manual is available for immediate download.

<https://www.ebooklibonline.com>

TABLE OF CONTENTS

	Page
Operating	
SAFETY:	
Operate Safely	16
Wear Appropriate Clothing.....	17
Stay Clear of Rotating Drivelines	17
Avoid Injury From Moving Parts	18
Avoid Injury From Hitting Obstructions.....	18
OPERATION:	
Snowblowing Tips	19
Adjusting Spout	20
Raising and Lowering Snowblower.....	21
Turning Chute	21
Starting Snowblower	22
Stopping Snowblower	24
Using Differential Lock	25
Using Weight Transfer Valve	26
Transporting Front Mower and Snowblower Safely	26
Service Machine Safely	
Practice Safe Maintenance	27
Wear Appropriate Clothing.....	28
Stay Clear of Rotating Drivelines	28
Avoid Injury from Moving Parts	28
Avoid High Pressure Fluids.....	29
Service	
Service Intervals.....	30
Grease	31
Gear Oil.....	32
Checking Auger Gearbox Oil Level.....	33
Checking Snowblower Gearbox Oil Level.....	33
Lubricating Worm Gear Shaft.....	34
Lubricating Driveline.....	34

TABLE OF CONTENTS

	Page
Lubricating Snowblower Wheel Bearings (F900 Series Only).....	34
Lubricating Auger Shaft	35
Replacing Shear Bolt.....	35
Replacing Discharge Chute Cable.....	36
Routing Chute Cables.....	37
Installing Cable Shield	38
Reversing or Replacing Wear Plate.....	39
Reversing or Replacing Scraper Blade.....	40
Replacing Snowblower Wheel (F900 Series Only).....	40
Troubleshooting	
Using Troubleshooting Chart.....	41
Storage	
Storing Snowblower.....	42
Assembly	
Identify Parts.....	44
Install Auxiliary Hydraulic Kit.....	45
Install Lift Arms	45
Install Wheel Bracket (F900 Series Only).....	46
Install Wheel (F900 Series Only)	46
Install Wheel Cylinder (F900 Series Only).....	47
Install Driveline	47
Install Chute.....	48
Route Chute Cables	49
Install Cable Shield	50
Install Drift Blade.....	51
Install Hydraulic Hoses Safely	51
Parts for Wheel Hydraulics (F900 Series Only).....	51
Install Short Hose	52
Install Long Hose (F900 Series only).....	53
Shorten Hydraulic Hose.....	54

TABLE OF CONTENTS

	Page
Specifications	
Machine Specifications	55
Recommended Lubricants	55
John Deere Service Literature	
Order Form.....	57

All information, illustrations and specifications in this manual are based on the latest information at the time of publication. The right is reserved to make changes at any time without notice.

COPYRIGHT© 1998
John Deere Horicon Works
All rights reserved
Previous Editions
COPYRIGHT© 1996, 1995, 1992

SAFETY SIGNS

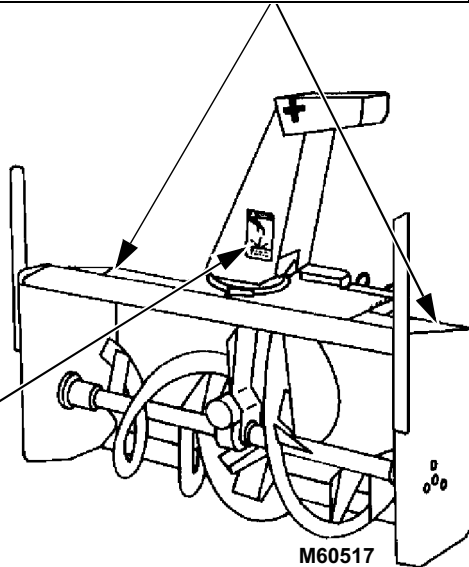
Safety-Alert Symbol

Read and recognize safety information. Be alert to the potential for personal injury when you see this safety-alert symbol.

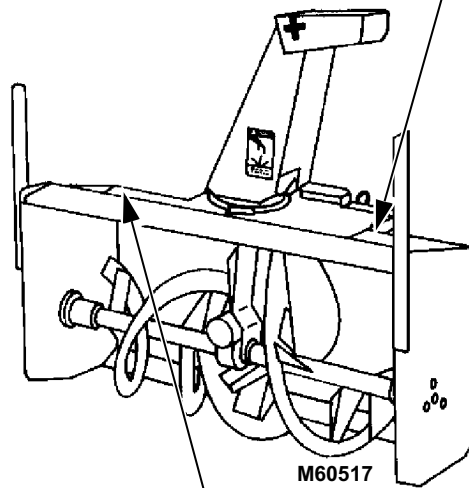
On your machine safety labels, the words DANGER, WARNING, and CAUTION are used with this safety-alert symbol. DANGER identifies the most serious hazards. In this manual, the word CAUTION and this symbol call attention to safety messages.



Machine Safety Labels



SAFETY SIGNS



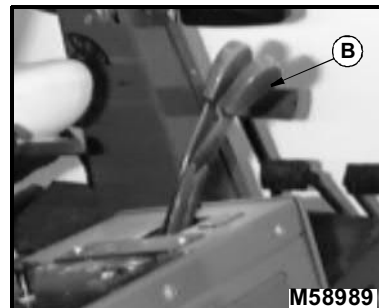
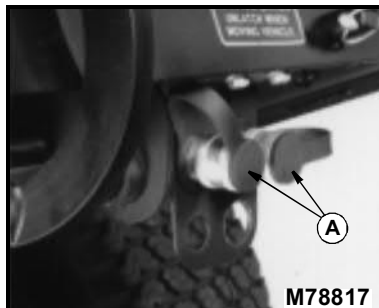
PREPARING THE VEHICLE

Install Auxiliary Hydraulic Kit

IMPORTANT: Remove any Front Mower attachment before installing the Snowblower.

NOTE: Your Front Mower **MUST** be equipped with the Auxiliary Hydraulic Kit before installing the snowblower. See your John Deere dealer to order.

Follow instructions provided with kit **BM17714** to install hydraulic ports (A) and second hydraulic lever (B) to the Front Mower.



Install Weights and Chains



CAUTION:

- Ballasting is required for safe operation of your snowblower
- When the snowblower is removed, you **MUST** also remove any weights that were added to the Front Mower.

If Front Mower is equipped with plastic rear bumper, install rear weight kit, **BM17983**, with six 16.78 kg (37 lb.) weights, **BM17967**. Follow instructions provided with kit.

If Front Mower is equipped with cast iron rear bumper, install rear weight kit, **BM17983**, with four 16.78 kg (37 lb.) weights, **BM17967**. Follow instructions provided with kit.

For F1145 six weights are required only.

Tire chains and drive wheel weights may also be used, if needed. (See your John Deere dealer.)

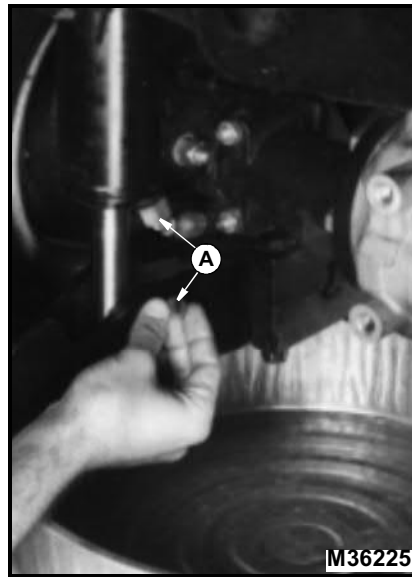
Install liquid weight in front tires, if needed. (See your Front Mower operator's manual.)

PREPARING THE VEHICLE

Install Lift Cylinder Orifices (F900 Series)

**NOTE: If Front Mower is equipped with weight transfer valve, orifices are not required.
Orifices are standard on F1145's.**

1. Stop engine and push hydraulic lift control lever forward to float position.
2. Pull both lift cylinder arms all the way down.
3. Clean area around lift cylinder hydraulic fitting.
4. Disconnect hose from lift cylinder. Put orifice (A) on sealing surface of fitting. Connect and tighten fitting.
5. Follow Steps 3 and 4 for other cylinder.
6. Start engine. Operate lift cylinders to check for leaks. Tighten fittings as necessary.
7. Check transmission fluid level. Add fluid if necessary.



INSTALLING

SAFETY

Park Vehicle Safely

- Stop vehicle on a level surface, not on a slope.
- Disengage PTO
- Engage the park brake.
- STOP the engine.
- Remove the key.
- Before you leave the operator's seat, wait for engine and all moving parts to STOP.

Avoid High Pressure Fluids

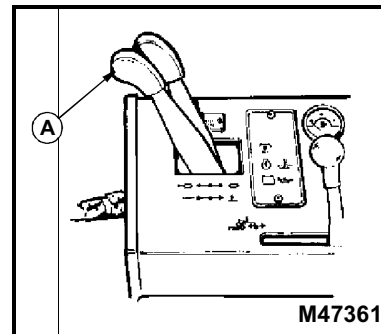


- Hydraulic hoses can fail due to physical damage, kinks, age, and exposure. Check hoses regularly. Replace damaged hoses.
- Escaping fluid under pressure can penetrate the skin causing serious injury. Avoid the hazard by relieving pressure before disconnecting hydraulic or other lines. Tighten all connections before applying pressure.
- Search for leaks with a piece of cardboard. Protect hands and body from high pressure fluids.
- If an accident occurs, see a doctor immediately. Any fluid injected into the skin must be surgically removed within a few hours or gangrene may result. Doctors unfamiliar with this type of injury should reference a knowledgeable medical source. Such information is available from Deere & Company Medical Department in Moline, Illinois, U.S.A.

INSTALLING

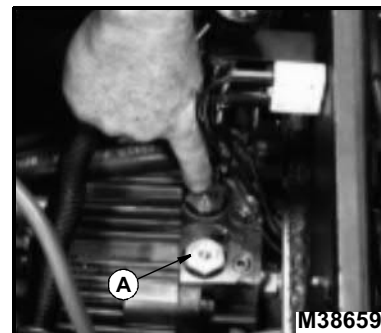
Put Lever in Float Position

Push hydraulic lever (A) all the way forward to float position. This will let you move Front Mower lift arms by hand when engine is stopped.



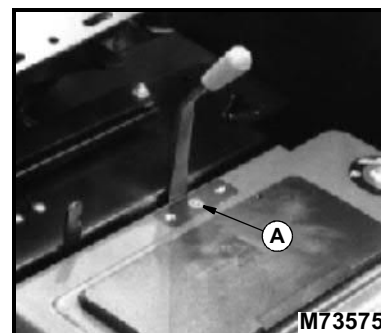
Disengage Transmission (F900 Series)

1. Lift seat to service position.
2. Push down two buttons (A) to disengage transmission. Buttons will come back up when you start engine.
3. Lower seat.
4. Unlock park brake.



Moving F1145 Front Mower with Engine Off

1. Shift HI-LO lever to neutral (A).
2. Unlock park brake.
3. DO NOT move Front Mower faster than 9.6-12.9 kmh (6-8 mph). Have someone sit on seat to operate steering and brakes.



INSTALLING

Line Up Front Mower with Snowblower

1. Park Front Mower behind snowblower. STOP engine.

2. Line up lift arms and move Front Mower lift arms up or down until snowblower lift arms will fit inside.



3. Tighten bolts on snowblower lift arms.



4. Push Front Mower until holes in lift arms are in line.

5. Put end of driveline up on front axle.



INSTALLING

Install Lift Arm Pins

1. Install two pins in lift arms on each side.

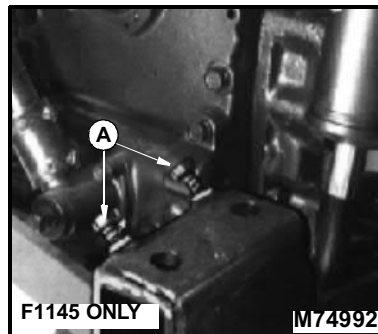


2. On F1145: Loosen jam nuts on the two left lift arm corner bolts (A).

3. Grasp outer end of this lift arm, raising it slightly to remove the play in its socket.

NOTE: DO NOT overtighten bolts.

4. Tighten bolts (A) on left lift arm to 40 Nm (30 ft-lb).



5. Tighten jam nuts.



Suggest:

If the above button click is invalid.

Please download this document

first, and then click the above link

to download the complete manual.

Thank you so much for reading

INSTALLING

Connect Driveline



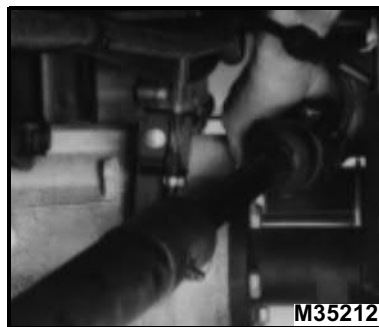
CAUTION: Stay clear of rotating drivelines: Stop the engine and be sure the PTO driveline is stopped before getting near it.



1. Open access door. (F900 series only.)
2. Reach through access door. Pull back coupler sleeve on driveline.
3. On the F1145: Reach from the front, to connect coupler.



4. Align splines in coupler with driveshaft. Slide driveline onto driveshaft until coupler sleeve locks.
5. Slide driveline back and forth to make sure driveline is properly locked.
6. Close access door. (F900 series only)



<https://www.ebooklibonline.com>

Hello dear friend!

Thank you very much for reading.

Enter the link into your browser.

The full manual is available for immediate download.

<https://www.ebooklibonline.com>