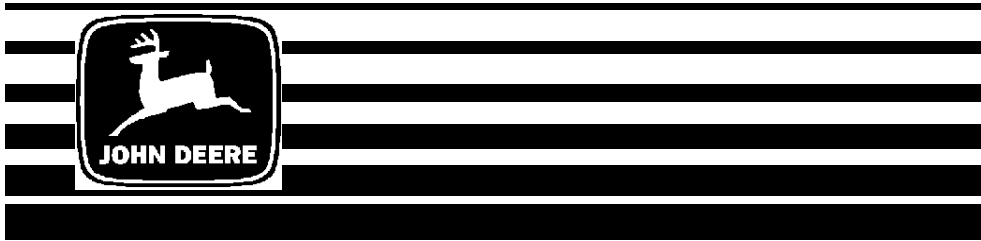


45 BP Backpack Blower

(Serial No. 010001 –)



OPERATOR'S MANUAL

John Deere
Lawn & Grounds Care Division
OMM122066 H4

North American Version
Litho in U.S.A
English

INTRODUCTION

THANK YOU for purchasing a John Deere product.

Read this manual and your vehicle manual thoroughly. Failure to do so could result in personal injury or equipment damage.



This manual should be considered a permanent part of your machine and should remain with the machine when you sell it.

Measurements in this manual are U.S. customary units and their metric equivalents. RIGHT-HAND and LEFT-HAND sides are determined by facing in the direction the machine will be used.

Product warranty is provided as part of John Deere's support program for customers who operate and maintain their equipment as described in this manual. The product warranty is explained on the warranty certificate you received from your dealer.

Record identification numbers below. Be sure to record all the numbers to help in tracing the machine if it is stolen. You also need to give these numbers to your dealer when you order parts.

Date of Purchase:

Dealer Name:

Phone:

Serial Number:

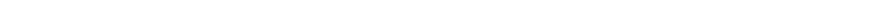
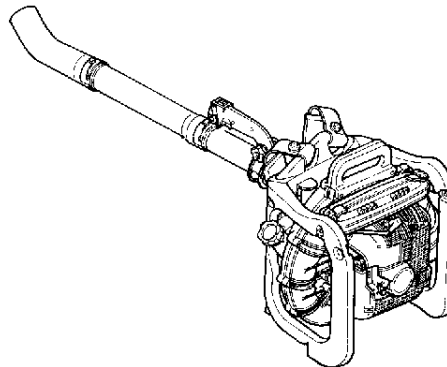


TABLE OF CONTENTS

	Page
Safety	
Safety-Alert Symbol.....	1
Machine Safety Labels	1
Safety.....	3
Wear Appropriate Clothing	4
Reduce Noise	4
Reduce Chances Of Damage.....	5
Operating	
Learning Controls	7
Starting Cold Engine.....	8
Starting A Warm Engine	10
Stopping the Engine	10
Strapping Blower to Operator	11
Operating Blower	11
Service	
Practice Safe Maintenance.....	14
Wear Appropriate Clothing	14
Handling Fuel.....	15
Engine Oil	15
Mixing Fuel	16
Storing Fuel	18
Filling Fuel Tank	18
Cleaning Air Cleaner.....	19
Adjusting Carburetor.....	20
Initial Adjustment	21
Low Speed Adjustment.....	22
High Speed Adjustment.....	22
Idle Speed.....	22
Engine Cover	23
Checking Spark Plug	23
Engine Cooling and Cylinder Fin Maintenance.....	24
Muffler and Exhaust Port	25
Fuel Strainer	26
Cleaning Fuel Tank Cap Vent.....	26

<https://www.ebooklibonline.com>

Hello dear friend!

Thank you very much for reading.

Enter the link into your browser.

The full manual is available for immediate download.

<https://www.ebooklibonline.com>

TABLE OF CONTENTS

	Page
Troubleshooting	
Using Troubleshooting Chart	27
Storing Machine	
Storing Safety.....	30
Storing For a Short Time.....	30
Long Term Storage	30
Assembly	
Assemble Pipes	32
Specification	
Engine	34
Fuel System	34
Ignition System.....	34
Capacities	34
Blowern	35
Order Form.....	37

All information, illustrations and specifications in this manual are based on the latest information at the time of publication. The right is reserved to make changes at any time without notice.

COPYRIGHT© 1994
John Deere Horicon Works
All rights reserved

SAFETY SIGNS

Safety-Alert Symbol

Read and recognize safety information. Be alert to the potential for personal injury when you see this safety-alert symbol.

On your machine safety labels, the words DANGER, WARNING, and CAUTION are used with this safety-alert symbol. DANGER identifies the most serious hazards. In this manual, the word CAUTION and this symbol call attention to safety messages.



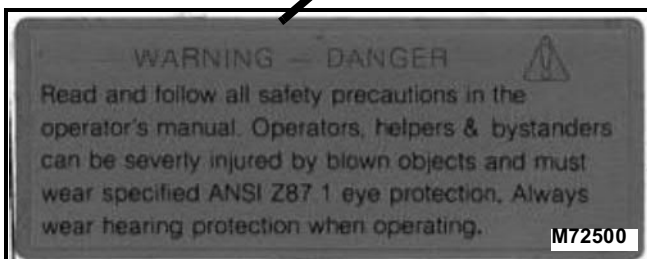
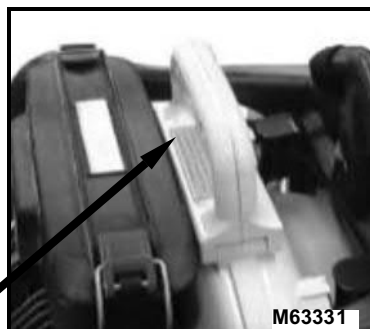
Machine Safety Labels

Read and understand all safety messages in the operator manual before using this machine.

Always wear eye and ear protection when operating this machine. Permit only the operator in the area of operation. Never point air pipe at people or pets. To prevent spillage do not fill the fuel tank to top. Secure fuel cap before starting engine. To maintain best control of machine start engine while unit is on the ground and the harness is not attached to the operator.

SAFETY SIGNS

Read and follow all safety precautions in the operator's manual. Operators, helper and bystander can be severely injured by blown objects and must wear specified ANSI Z87.1 eye protection. Always wear hearing protection when operating this machine.



OPERATING

SAFETY

Operate Safely



- Read this Backpack Blower Operator's Manual carefully. Be sure you understand how to operate before you use this machine.
- DO NOT operate Backpack Blower while intoxicated or under the influence of drugs or if ill.
- Inspect machine before you operate. Be sure hardware is tight. Repair or replace damaged, badly worn, or missing parts. Be sure guards and shields are in good condition and fastened in place. Make any necessary adjustments before you operate.
- Clear work area of objects that might be thrown. Keep people and pets out of the work area. Stop machine if anyone enters the area.
- Make repairs before you operate. Keep machine properly maintained and in good working order. Keep all shields and guards in place.
- Only operate during daylight or with good artificial light.
- DO NOT let children or an untrained person operate machine.
- Do not wear radio or music headphones while operating the machine. Safe operation requires your full attention.

- Allow NO ONE nearer than 50 feet while the blower is in use.
- People working in the same area should wear the same protective equipment as the operator.
- DO NOT point blower pipe in the direction of people or animals.
- Keep a firm grip on the blower at all times.

OPERATING

Wear Appropriate Clothing



- Wear close fitting clothing and safety equipment appropriate for the job.
- Wear non-skid shoes. DO NOT wear open toed shoes or operate unit while bare footed.
- Loud noise can cause impairment or loss of hearing, wear a suitable protective device such as earplugs.
- Do not wear radio or music headphones while servicing the machine. Safe servicing requires your full attention.

Reduce Noise

NOTE: Before operating the blower, check and follow local regulations concerning sound level and hours of operation.

- Avoid using blowers when people are likely to be disturbed, such as late at night or early in the morning.
- Operate the blower at the lowest possible throttle setting that gets the job done. If you loosen compacted leaves, grass or debris with a broom or a rake, using full throttle is not necessary.
- Make sure the muffler works well. Also check the air filter to make sure the blower is working properly.
- Use only one piece of equipment at a time.

OPERATING

Reduce Chances Of Damage

- Before starting a job, check wind direction. Avoid blowing in the direction of open doors and windows, cars pets, children or anything that could be harmed by blowing dust, leaves and debris.
- Use the full nozzle extension so the air stream is close to the ground. This will get the job done quicker without kicking up alot of dust.
- In dusty conditions, wet down surfaces or use mister attachment.
- Clean up after the job is done. Make sure no debris has blown onto someone else's property. Collect any trash and put it in a proper container.

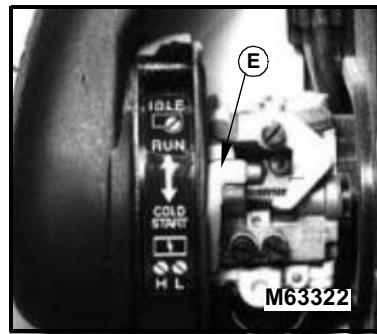
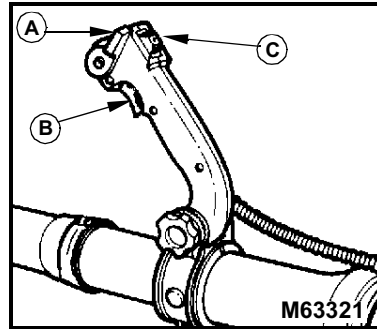
OPERATING

- C CAUTION:** It is believed that a condition known as Raynaud's Phenomenon which affects the fingers of certain individuals is brought about by exposure to cold and vibration. Accordingly, your Deere blower has shock mounts designed to reduce the intensity of vibration. Exposure to cold and vibration may cause tingling and burning, followed by loss of color and numbness in a persons fingers. we strongly recommend taking the following precautions because the minimum exposure which might trigger the ailment is unknown.
- Keep your body warm, especially head neck, feet and ankles and hands and wrist.
 - Maintain good blood circulation by performing vigorous arm exercises during frequent breaks, and also by not smoking.
 - Limit the number of hours of operation. Try to fill a part of each work day with jobs where operating the blower or other hand-held power tools are not required.
 - If you experience discomfort, redness and swelling of the fingers, followed by whitening and loss of feeling, consult your physician before exposing yourself further to cold and vibration

OPERATING

Learning Controls

- A. Throttle Lever
- B. Throttle Trigger
- C. Ignition Switch
- D. Recoil Starter
- E. Choke



OPERATING

Starting Cold Engine

C **CAUTION: DO NOT run engine in an enclosed area. DO NOT start blower strapped to operator.**

IMPORTANT: DO NOT put blower down where debris might be pulled into the fan.

Before you operate daily:

Inspect blower carefully.

Check guards and shield.

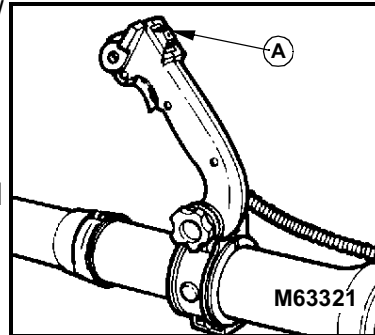
Tighten hardware.

1. Put blower upright on a clean flat surface.

IMPORTANT: Recoil starter: Use short pulls - only 1/2 - 2/3 of starter rope for starting. DO NOT allow the rope to snap back in. Always hold the unit firmly.

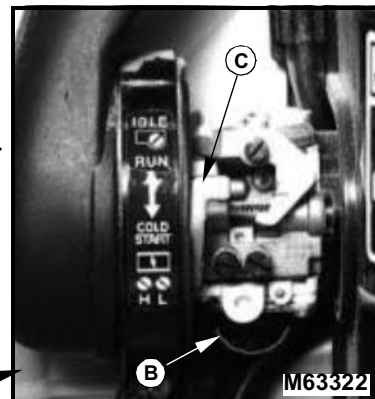
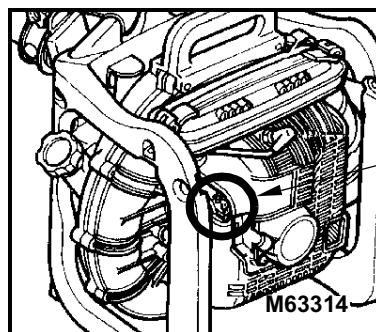
OPERATING

2. Slide ignition switch (A) to START/RUN position. Push purge bulb (B) until fuel is visible in clear fuel line. During initial start-up, removal from storage or after running out of fuel, the purge bulb may require additional pumping to circulate fuel throughout the system.



IMPORTANT: It is not necessary for the purge bulb or clear fuel return line to be filled with fuel. The blower has sufficient fuel for starting and running if some fuel is visible

3. Push choke lever (C) down to cold start position and pull starter until engine fires.
4. Push choke lever up to run position. Allow engine to warm up for a few minutes before using.



NOTE: Do not choke a warm engine.

OPERATING

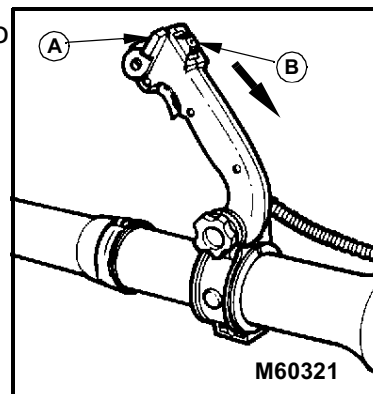
Starting A Warm Engine

1. If fuel tank was not run dry, pull starter one to three times and engine should fire. Do not use choke.
2. If fuel tank was run dry, after refilling, push the purge bulb (until fuel is visible in clear fuel return line) and then pull starter. DO NOT choke.

NOTE: If engine does not start after four pulls use cold start procedure.

Stopping the Engine

1. Move throttle lever (A) forward or up to idle position and allow engine to run for a few minutes.
2. Slide ignition switch (B) to "stop" position.



C

CAUTION: If engine does not stop, shift choke lever to closed position. Check and repair ignition switch before starting engine again.



Suggest:

If the above button click is invalid.

Please download this document first, and then click the above link to download the complete manual.

Thank you so much for reading

OPERATING

Strapping Blower to Operator

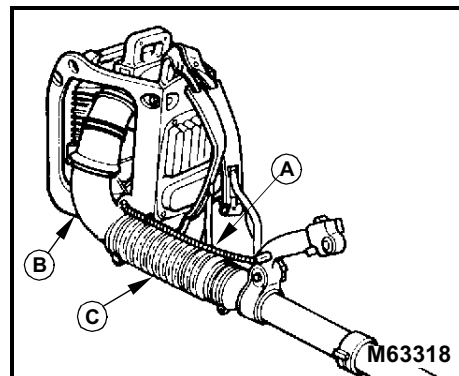
C CAUTION: DO NOT touch cylinder or muffler assembly when you handle blower.

1. Start engine (See Starting Engine in this section).
2. Put blower on your back.
3. Adjust buckles.

Operating Blower

C CAUTION: Always wear safety glasses and use a face filter mask.

IMPORTANT: Before operating blower check that the throttle cable (A) is routed between the elbow (B) and frame and passes along the top of the flexible pipe (C).



<https://www.ebooklibonline.com>

Hello dear friend!

Thank you very much for reading.

Enter the link into your browser.

The full manual is available for immediate download.

<https://www.ebooklibonline.com>