

**JOHN DEERE**  
**WORLDWIDE COMMERCIAL & CONSUMER**  
**EQUIPMENT DIVISION**

---

**Sprayer**  
**45 and 90 Gallon**

OMM158792 A0

**OPERATOR'S MANUAL**



**JOHN DEERE**

**Original Instruction**

All information, illustrations and specifications in this manual are based on the latest information at the time of publication. The right is reserved to make changes at any time without notice.

**COPYRIGHT© 2010**

**Deere & Co.**

**John Deere Worldwide Commercial and  
Consumer Equipment Division**

**All rights reserved**

**Previous Editions**

**COPYRIGHT©**

**North American Version**

**Litho in U.S.A.**

---

---

# INTRODUCTION

---

---

## Table of Contents

Introduction.....	1
Product Identification.....	1
Safety Labels.....	1
Safety.....	2
Assembly.....	4
Installing.....	11
Preparing Vehicle.....	11
Removing and Storing.....	11
Operating.....	12
Service.....	17
Troubleshooting.....	18
Specifications.....	18
Getting Quality Service.....	19

---

---

## Introduction

### Using Your Operator's Manual

Read this entire operator's manual, especially the safety information, before operating.

This manual is an important part of your machine. Keep all manuals in a convenient location so they can be accessed easily.

Use the safety and operating information in the attachment operator's manual, along with the machine operator's manual, to operate and service the attachment safely and correctly.

If your attachment manual has a section called Preparing the Machine, it means that you will have to do something to your tractor or vehicle before you can install the attachment. The Assembly and Installation sections of this manual provide information to assemble and install the attachment to your tractor or vehicle. Use the Service section to make any needed adjustments and routine service to your attachment.

If you have any questions or concerns with the assembly, installation, or operation of this attachment, see your local John Deere dealer or call the John Deere Customer Contact Center at 1-800-537-8233 for assistance.

Warranty information on this John Deere attachment can be found in the warranty that came with your John Deere tractor or vehicle.

---

---

## Product Identification

### Product Compatibility

The 45 and 90 Gallon Sprayer is designed for use with John Deere Gator™ Utility Vehicles.

Contact your John Deere dealer for specific utility vehicle compatibility information.

---

---

## Safety Labels



### Understanding The Machine Safety Labels

The machine safety labels shown in this section are placed in important areas on your machine to draw attention to potential safety hazards.

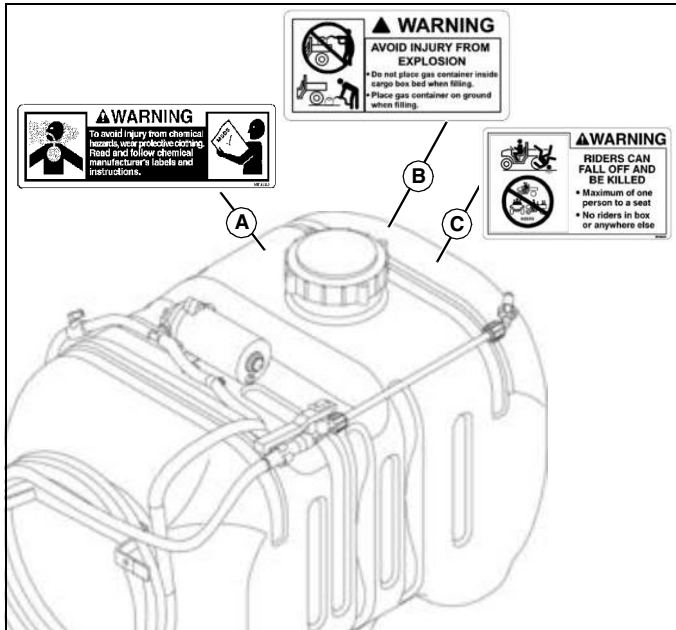
On your machine safety labels, the words DANGER, WARNING, and CAUTION are used with this safety-alert symbol. DANGER identifies the most serious hazards.

The operator's manual also explains any potential safety hazards whenever necessary in special safety messages that are identified with the word, CAUTION, and the safety-alert symbol.

There can be additional safety information contained on parts and components sourced from suppliers that is not reproduced in this operator's manual.

# SAFETY

## Safety Labels



MX27819

- A- Warning MT3980
- B- Warning M152038\*
- C- Warning M150930\*

\* Label installed on rear tank for 90 gallon sprayer only.

### WARNING M152038



M152038

#### AVOID INJURY FROM EXPLOSION

- Do not place gas container inside cargo box bed when filling.
- Place gas container on ground when filling.

### WARNING M150930



M150930

#### RIDERS CAN FALL OFF AND BE KILLED

- Maximum of one person to a seat

- No riders in box or anywhere else

### WARNING MT3980



MT3980

- To avoid injury from chemical hazards, wear protective clothing. Read and follow chemical manufacturer's labels and instructions.

## Safety

### Read Safety in Machine Operator's Manual

Read the general safety operating precautions in your machine operator's manual for additional safety information.

### Operate Safely

- Read the machine and attachment operator's manual carefully. Be thoroughly familiar with the controls and the proper use of the equipment. Know how to stop the machine and disengage the controls quickly.
- Do not let children or an untrained person operate machine.
- Make any necessary adjustments before you operate. Never attempt to make any adjustments while the engine is running, unless if recommended in adjustment procedure.
- Take all possible precautions when leaving the machine unattended. Shut off the engine before making any repairs, adjustments, or inspections. Lower the attachment, lock the parking brake, stop the engine, and remove the key.
- Look behind machine before you back up. Back up carefully.
- Do not let anyone, especially children, ride on machine or attachment. Riders are subject to injury such as being struck by foreign objects and being thrown off. Riders may also obstruct the operator's view, resulting in the machine being operated in an unsafe manner.
- Use only attachments and accessories approved by the manufacturer of this product.
- If the machine vibrates abnormally, stop the engine and check immediately for the cause. Vibration is generally a warning of trouble.
- Always refer to the Storage section of the operator's manual for important details if storing this product for a long period of time.
- Keep people and pets out of the work area. Stop machine if anyone enters the area.
- If you hit an object, stop the machine and inspect it. Make repairs before you operate. Keep machine properly maintained and in good working order. Keep all shields and guards in place.
- Always inspect the sprayer completely before and after each use. Before pressurizing the system, check to be sure all fittings and hoses are tightly installed. Be sure guards and shields are in good condition and fastened in place. Make any necessary adjustments before you operate.
- Never use the sprayer during windy conditions.

**<https://www.ebooklibonline.com>**

Hello dear friend!

Thank you very much for reading.

Enter the link into your browser.

The full manual is available for immediate download.

**<https://www.ebooklibonline.com>**

# SAFETY

---

- Always release pressure in the system before filling, cleaning or servicing the sprayer.
- Do not put nozzle tip or other sprayer parts to your lips to blow out dirt. Use compressed air.
- If the sprayer is mounted to the bed of a utility vehicle, never raise the bed with the sprayer installed. Empty the sprayer and remove it from the bed if you need to raise the bed for any reason.

## Parking Safely

1. Stop vehicle on a level surface, not on a slope.
2. Lock park brake.
3. Stop engine.
4. Remove key.
5. Before you leave the operator's seat, wait for engine and all moving parts to stop.
6. Disconnect the negative battery cable or remove the spark plug wire (for gasoline engines) before servicing the machine.

## Mix and Handle Chemicals Safely

- It is best to wear full cover clothing and always wear protective goggles and rubber gloves to protect yourself while handling chemicals.
- Follow instructions on chemical container labels.
- Open all chemical containers carefully, using proper tools.
- Open, pour, weigh and mix chemicals in a well-ventilated area.
- Reserve all equipment used for the application of chemicals exclusively for that purpose.
- Prohibit all smoking, drinking and eating food in chemical-handling area.
- It is a good practice to take a soapy shower immediately after the using the sprayer to apply chemicals.
- Wash all clothing worn when using chemicals separately in the laundry after spraying is completed.

## Read Chemical Container Label

- Chemicals can be dangerous. Improper selection or use can injure persons, animals, plants, soils or other property. Select the right chemical for the job and handle and apply with care.
- Read the instructions, precautions, and warnings on the container label before opening. Use the product strictly according to label directions for specific applications, in the amounts specified, at the times specified and only when needed.
- Keep the container closed tightly except when preparing the mix.
- Do not remove labels from chemical containers. Store all chemicals in their original containers.
- Do not mix chemicals unless stated on the container label.
- Store chemicals when not in use according to the container label.

## Handle Chemical Products Safely

- Direct exposure to hazardous chemicals can cause serious injury. Potentially hazardous chemicals used with John Deere equipment include pesticides, herbicides and fungicides.
- A Material Safety Data Sheet (MSDS) provides specific details on chemical products: physical and health hazards, safety procedures, and emergency response techniques.
- The MSDS should be obtained from the chemical dealer at the time of

the chemical purchase.

- Check the MSDS before beginning any job using a hazardous chemical. Know exactly what the risks are and how to do the job safely. Always wear recommended personal protection equipment.

## Practice Safe Maintenance

- Only qualified, trained adults should service this machine.
- Understand service procedure before doing work. Keep area clean and dry.
- Do not operate the engine in a confined space where dangerous carbon monoxide fumes can collect.
- Never lubricate, service or adjust the machine or attachment while it is moving. Keep safety devices in place and in working condition. Keep hardware tight.
- Keep hands, feet, clothing, jewelry, and long hair away from any moving parts, to prevent them from getting caught.
- Lower any attachment completely to the ground or to an existing attachment mechanical stop before servicing the attachment. Disengage all power and stop the engine. Lock park brake and remove the key. Let machine cool.
- Disconnect battery or remove spark plug wire (for gasoline engines) before making any repairs.
- Before servicing machine or attachment, carefully release pressure from any components with stored energy, such as hydraulic components and springs.
- Release hydraulic pressure by lowering attachment or cutting units to the ground or to a mechanical stop and move hydraulic control levers.
- Securely support any machine or attachment elements that must be raised for service work. Use jack stands or lock service latches to support components when needed.
- Never run engine unless park brake is locked.
- Keep all parts in good condition and properly installed. Fix damage immediately. Replace worn or broken parts. Replace all worn or damaged safety and instruction decals.
- Check all hardware at frequent intervals to be sure the equipment is in safe working condition.
- Do not modify machine or safety devices. Unauthorized modifications to the machine or attachment may impair its function and safety.



## Wear Appropriate Clothing

- Wear close fitting clothing and safety equipment appropriate for the job.
- Certain operating conditions may dictate that the operator and any passenger wear appropriate safety equipment while operating the vehicle. Be prepared for any existing and potential conditions before operating machine.
- Local safety or insurance regulations may require additional safety equipment such as eye protection or a hard hat.
- Always wear substantial footwear and long trousers. Do not operate the equipment when barefoot or wearing open sandals.
- Wear proper clothing and safety equipment while handling chemicals or using the sprayer. Refer to the MSDS for the chemicals being used to be sure the proper personal protection equipment is being used.

# ASSEMBLY



## Avoid High Pressure Fluids

• Hydraulic hoses and lines can fail due to physical damage, kinks, age, and exposure. Check hoses and lines regularly. Replace damaged hoses and lines.

- Hydraulic fluid connections can loosen due to physical damage and vibration. Check connections regularly. Tighten loose connections.
- Escaping fluid under pressure can penetrate the skin causing serious injury. Avoid the hazard by relieving pressure before disconnecting hydraulic or other lines. Tighten all connections before applying pressure.
- Search for leaks with a piece of cardboard. Protect hands and body from high pressure fluids.
- If an accident occurs, see a doctor immediately. Any fluid injected into the skin must be surgically removed within a few hours or gangrene may result. Doctors unfamiliar with this type of injury should reference a knowledgeable medical source. Such information is available from Deere & Company Medical Department in Moline, Illinois, U.S.A. Information may be obtained in the United States and Canada only by calling 1-800-822-8262.

## Dispose of Chemicals Properly

- Proper disposal of excess spray material is very important. If you have excess tank solution, it is best to dilute it with water and apply it to the area you previously treated.
- Never dump solution into a drain or near a lake or stream.
- Chemicals containers should be triple-rinsed, with the rinse water added to the sprayer tank. Do not burn empty chemical containers. Dispose of containers at recycling centers.

## Handling Waste Product and Chemicals

Waste products, such as, used oil, fuel, coolant, brake fluid, and batteries, can harm the environment and people:

- Do not use beverage containers for waste fluids - someone may drink from them.
- See your local Recycling Center or authorized dealer to learn how to recycle or get rid of waste products.
- A Material Safety Data Sheet (MSDS) provides specific details on chemical products: physical and health hazards, safety procedures, and emergency response techniques. The seller of the chemical products used with your machine is responsible for providing the MSDS for that product.

## Assembly

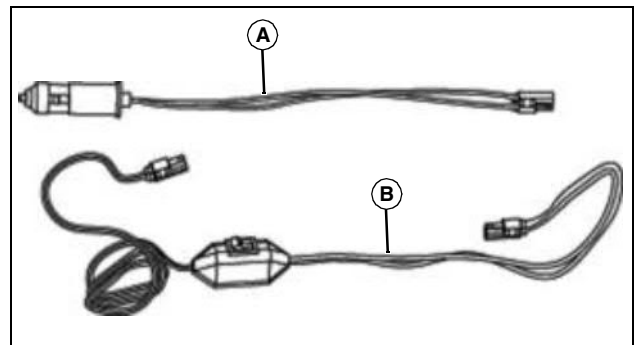
### 45 Gallon Sprayer Parts List

#### Hardware

Qty.	Description
2	3/8 x 3-1/2 Carriage Bolt
4	3/8 x 1-1/2 Carriage Bolt
4	5/16 x 1 Flange Bolt
12	5/16 x 3/4 Flange Bolt
2	5/16 x 5/8 Flange Bolt

Qty.	Description
18	5/16 x 3/4 Carriage Bolt
6	3/8 Washer
6	3/8 Lockwasher
34	5/16 Flange Nut
6	Plastic Locking Knob
10	Rubber Foot, Small
2	Rubber Foot, Large
1	Wand Clip, Small
2	Wand Clip, Large
2	U-Bolt (HP model only)
1	Wire Clip
1	Hose Clamp (HP model only)
2	10-24 x 3/8 Truss Head Screw
2	Support Spacer
1	Spray Tip Package

#### Wire Harness

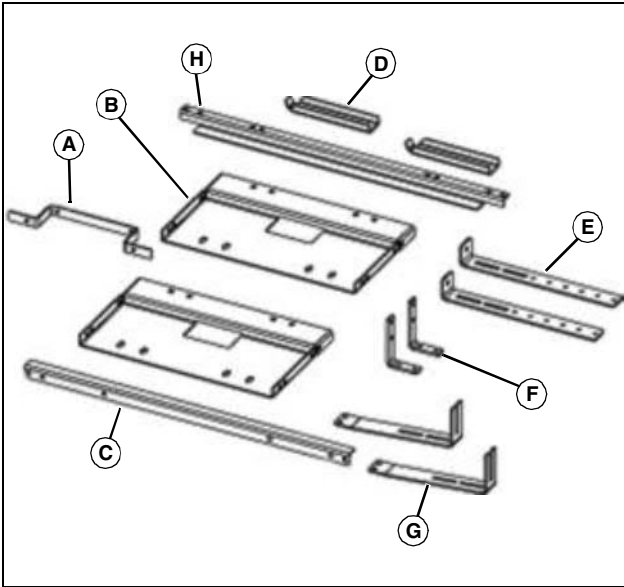


MX27850

Qty.	Description
1	Harness Plug (A)
1	Harness with Switch (B)

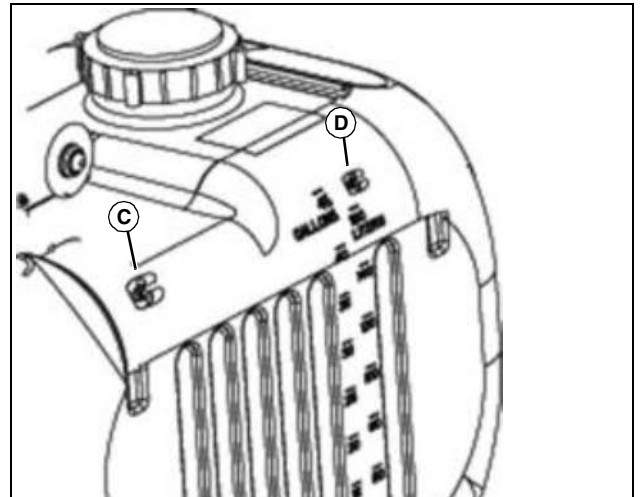
# ASSEMBLY

## Frame and Sprayer Assembly



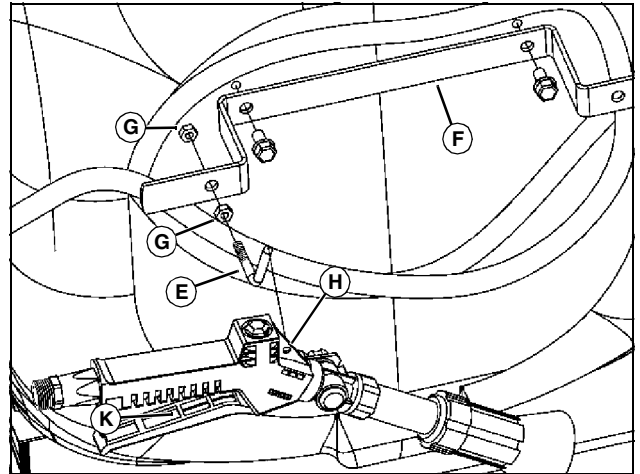
MX27851

Qty.	Description
1	Hose Wrap Frame (A)
2	Tank Support (B)
1	Front Support Angle (C)
2	Anchor Channel (D)
2	Outer Boom Support Bracket (E)
2	Boom L Bracket (F)
2	Inner Boom Support Bracket (G)
1	Rear Support Angle (H)
1	Tank Assembly (not shown)



MX27853

2. Install large wand clip (C) with 10-24 truss head screw (closest to pump).
3. Install small wand clip (D) with 10-24 truss head screw.

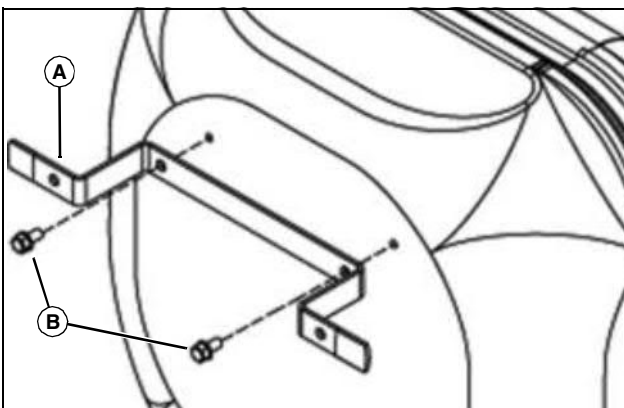


MX44574

4. For HP units:
  - a. Attach hand gun holding pin (E) to hose tender bracket (F) with two nuts (G).
  - b. Secure hand gun to holding pin (E) using hole (H) on hand gun.

## Assemble 45 Gallon Sprayer

### Assemble Spray Wand

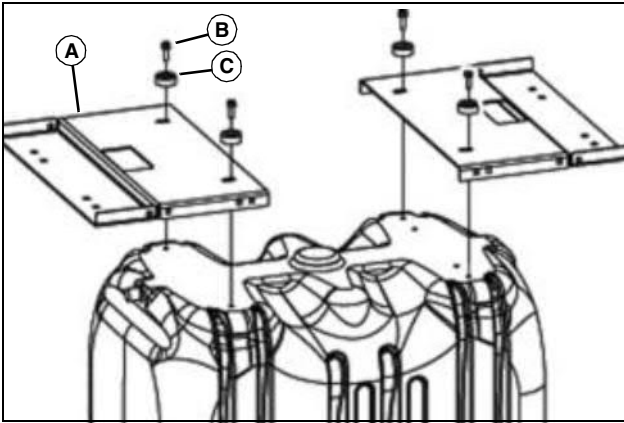


MX27852

1. Install hose tender bracket (A) with two 5/16 x 5/8 flange bolts (B).

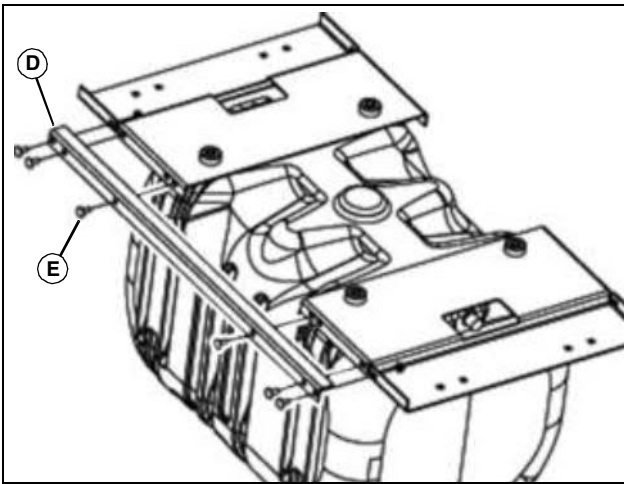
# ASSEMBLY

## Assemble Frame



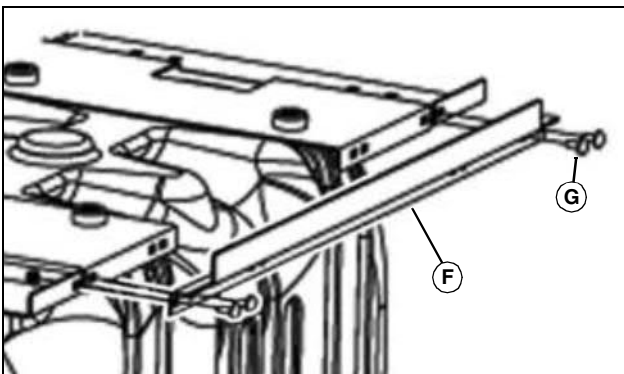
MX27855

1. Invert sprayer tank and loosely install tank supports (A) as shown with four 5/16 x 3/4 flange head bolts (B) and rubber feet (C).



MX27856

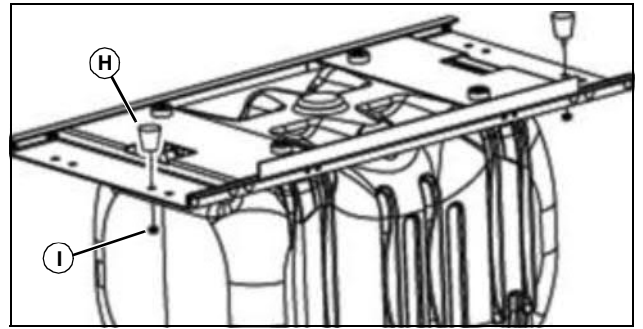
2. Loosely install front support angle (D) to tank supports with six 5/16 x 3/4 carriage bolts (E) and nuts. Install angle opposite spray wand side of tank, and oriented as shown.



MX27857

3. Loosely install rear support angle (F) with four (first two on either side) 5/16 x 3/4 carriage bolts (G) and flange nuts. Make sure angle is positioned as shown.

4. Tighten all hardware.



MX27858

5. Install large rubber feet (H) on each corner of boom side of sprayer in location shown. Secure with two 5/16 flange nuts (I).

6. Proceed to Boom Mounting Assembly section.

## 90 Gallon Sprayer Parts List

### Hardware

Qty.	Description
4	3/8 x 3-1/2 Carriage Bolt
4	3/8 x 1-1/2 Carriage Bolt
4	5/16 x 1 Flange Bolt
16	5/16 x 3/4 Flange Bolt
2	5/16 x 5/8 Flange Bolt
18	5/16 x 3/4 Carriage Bolt
8	3/8 Washer
8	3/8 Lockwasher
36	5/16 Flange Nut
8	Plastic Locking Knob
14	Rubber Foot, Small
4	Rubber Foot, Large
1	Wand Clip, Small
1	Wand Clip, Large
2	U-Bolt (HP model only)
2	Wire Clip
1	Hose Clamp (HP model only)
2	10-24 x 3/8 Truss Head Screw
4	Support Spacer
1	Hose Clamp
1	Spray Tip Package



**Suggest:**

**If the above button click is invalid.**

**Please download this document**

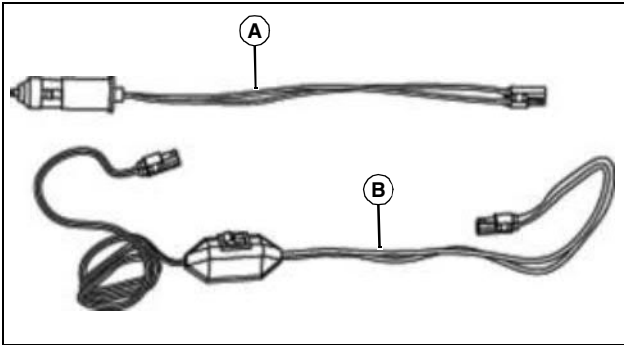
**first, and then click the above link**

**to download the complete manual.**

**Thank you so much for reading**

# ASSEMBLY

## Wire Harness

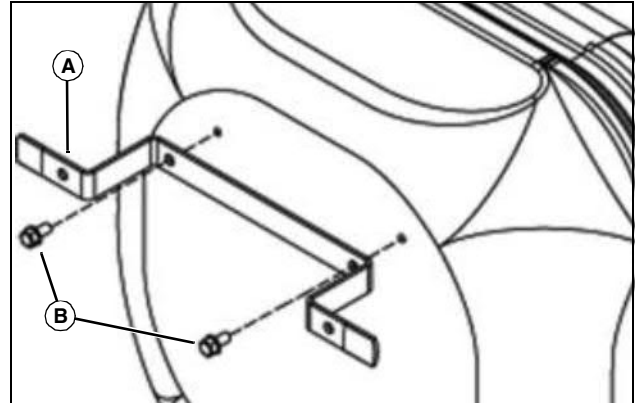


MX27850

Qty.	Description
1	Harness Plug (A)
1	Harness with Switch (B)

## Assemble 90 Gallon Sprayer

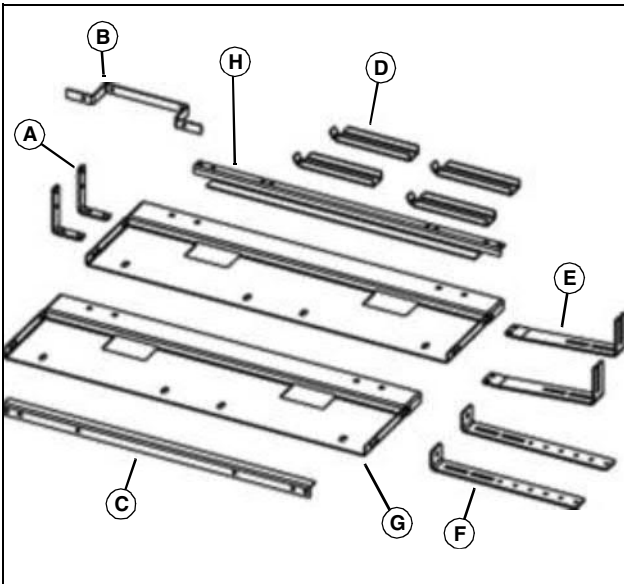
### Assemble Spray Wand



MX27852

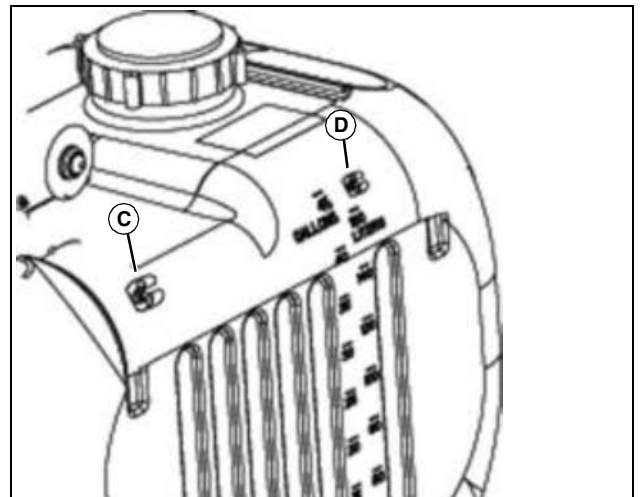
1. Install hose tender bracket (A) with two 5/16 x 5/8 flange bolts (B).

## Frame and Sprayer Assembly



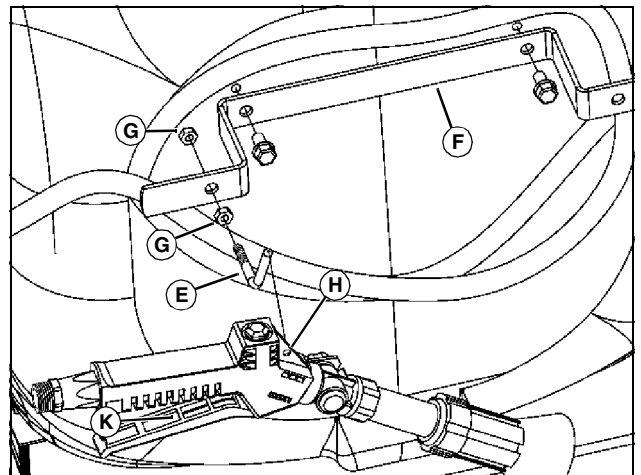
MX27859

Qty.	Description
2	Boom L Bracket (A)
1	Hose Wrap Frame (B)
1	Front Support Angle (C)
4	Anchor Channel (D)
2	Inner Boom Support Bracket (E)
2	Outer Boom Support Bracket (F)
2	Tank Support (G)
1	Rear Support Angle (H)
1	Tank Assembly (not shown)



MX27853

2. Install large wand clip (C) with 10-24 truss head screw (closest to pump).
3. Install small wand clip (D) with 10-24 truss head screw.



MX44574

4. For HP units:

**<https://www.ebooklibonline.com>**

Hello dear friend!

Thank you very much for reading.

Enter the link into your browser.

The full manual is available for immediate download.

**<https://www.ebooklibonline.com>**