

JOHN DEERE
WORLDWIDE COMMERCIAL & CONSUMER
EQUIPMENT DIVISION

Walk-Behind Greensmower Trailer
22B

OMTCU27388 E9

OPERATOR'S MANUAL



JOHN DEERE

All information, illustrations and specifications in this manual are based on the latest information at the time of publication. The right is reserved to make changes at any time without notice.

COPYRIGHT© 2009
Deere & Co.

John Deere Worldwide Commercial and Consumer Equipment Division

All rights reserved
Previous Editions
COPYRIGHT© 2002

Export Version
Litho in U.S.A.

INTRODUCTION

Introduction

Thank You for Purchasing a John Deere Product

We appreciate having you as a customer and wish you many years of safe and satisfied use of your machine.

Using Your Operator's Manual

This manual is an important part of your machine and should remain with the machine when you sell it.

Reading your operator's manual will help you and others avoid personal injury or damage to the machine. Information given in this manual will provide the operator with the safest and most effective use of the machine. Knowing how to operate this machine safely and correctly will allow you to train others who may operate this machine.

If you have an attachment, use the safety and operating information in the attachment operator's manual along with the machine operator's manual to operate the attachment safely and correctly.

This manual and safety signs on your machine may also be available in other languages (see your authorized dealer to order).

Sections in your operator's manual are placed in a specific order to help you understand all the safety messages and learn the controls so you can operate this machine safely. You can also use this manual to answer any specific operating or servicing questions. A convenient index located at the end of this book will help you to find needed information quickly.

The machine shown in this manual may differ slightly from your machine, but will be similar enough to help you understand our instructions.

RIGHT-HAND and LEFT-HAND sides are determined by facing in the direction the machine will travel when going forward. When you see a broken line (-----), the item referred to is hidden from view.

Before delivering this machine, your dealer performed a predelivery inspection to ensure best performance.

Machine Use

This machine is designed solely for use in customary lawn and turf mowing operations. Use in any other way is considered as contrary to the intended use.

The manufacturer accepts no liability for damage or injury resulting from this misuse, and these risks must be borne solely by the user. Compliance with and strict adherence to the conditions of operation, service and repair as specified by the manufacturer also constitute essential elements for the intended use.

This machine should be operated, serviced and repaired only by persons familiar with all its particular characteristics and acquainted with the relevant safety rules (accident prevention). The accident prevention regulations, all other generally recognized regulations on safety and occupational medicine and the road traffic regulations must be observed at all times.

Setting fuel delivery beyond published factory specifications or otherwise overpowering will result in loss of warranty protection for this machine.

Any arbitrary modifications carried out on this machine will relieve the manufacturer of all liability for any resulting damage or injury.

Special Messages

Your manual contains special messages to bring attention to potential safety concerns, machine damage as well as helpful operating and servicing information. Please read all the information carefully to avoid injury and machine damage.



CAUTION: Avoid injury! This symbol and text highlight potential hazards or death to the operator or bystanders that may occur if the hazards or procedures are ignored.

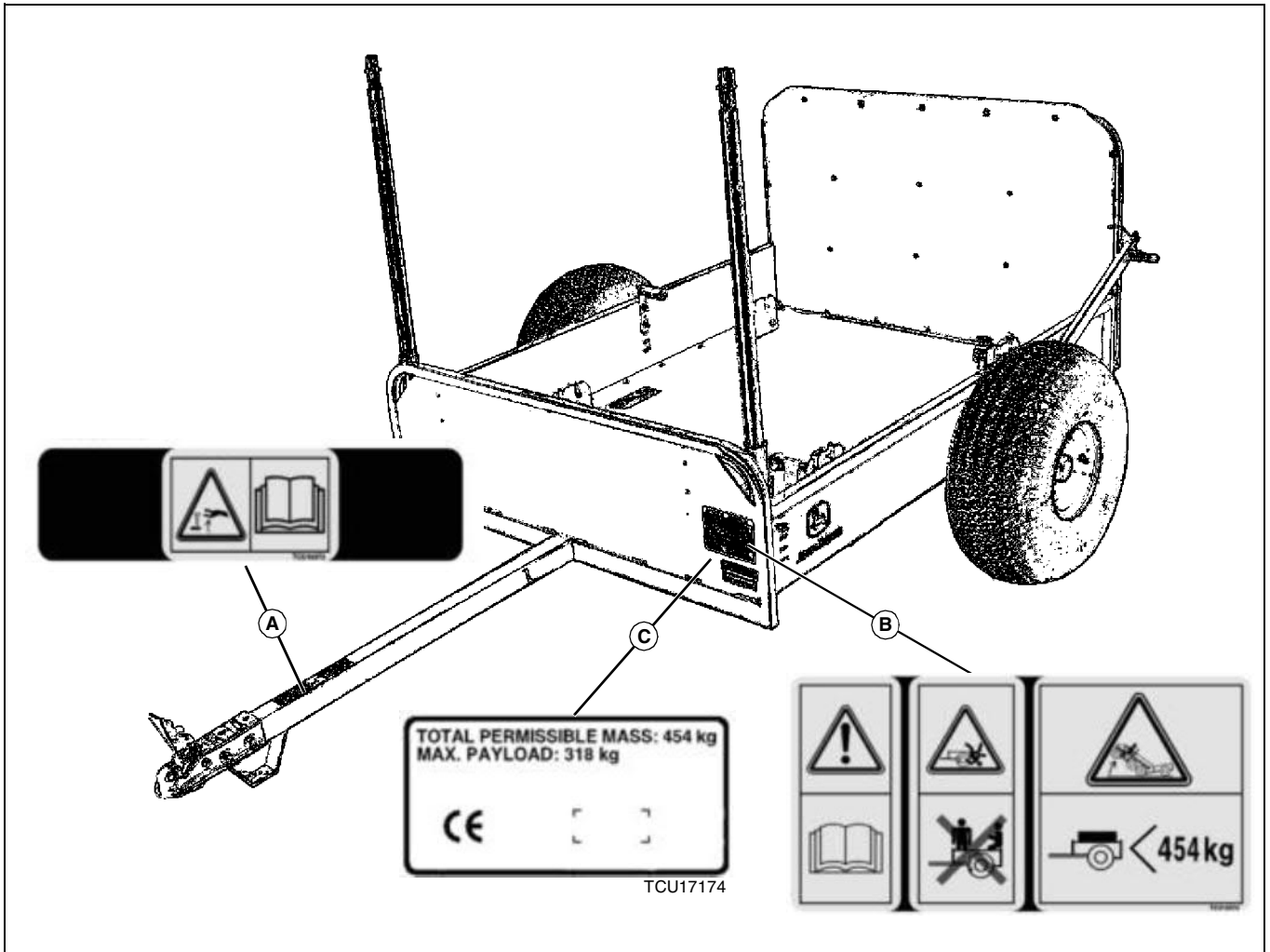
IMPORTANT: Avoid damage! This text is used to tell the operator of actions or conditions that might result in damage to the machine.

NOTE: General information is given throughout the manual that may help the operator in the operation or service of the machine.

SAFETY LABELS

Safety Labels

Safety Label Locations



MX43236

CE Certification, Specification and Sound Label

A- CAUTION TCU16973

B- CAUTION TCU16974

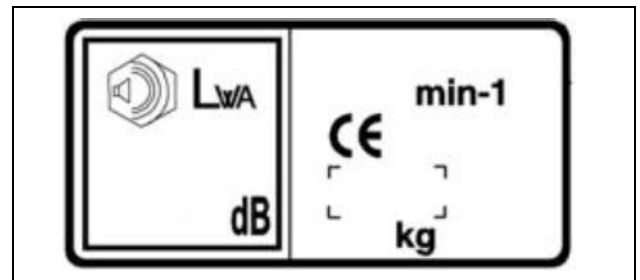
C- CE LABEL TCU17174



Pictorial Safety Signs

At several important places on this machine safety signs are affixed intended to signify potential danger. The hazard is identified by a pictorial in a warning triangle. An adjacent pictorial provides information how to avoid personal injury.

These safety signs, their placement on the machine and a brief explanatory text are shown in this Safety section.



MT7210

• This label on your machine indicates that this model has been certified and is in compliance with European Directive 98/37EEC (89/392EEC) and 2000/14/EC Standards.

Safety

Read Safety in Machine Operator's Manual

<https://www.ebooklibonline.com>

Hello dear friend!

Thank you very much for reading.

Enter the link into your browser.

The full manual is available for immediate download.

<https://www.ebooklibonline.com>

SAFETY

Read the general safety operating precautions in your machine operator's manual for additional safety information.

Operate Safely

- Check machine brake action before you operate. Adjust or service brakes as necessary.
- Inspect machine before you operate. Be sure hardware is tight. Repair or replace damaged, badly worn, or missing parts. Be sure guards and shields are in good condition and fastened in place. Make any necessary adjustments before you operate.
- Do not leave machine unattended when it is running.
- Only operate during daylight or with good artificial light.
- Do not let anyone, especially children, ride on machine or greensmower trailer.
- Do not let children or an untrained person operate machine.
- Do not operate machine if you are under the influence of drugs or alcohol.
- Do not operate machine at high speeds when you tow the greensmower trailer.
- Be sure connection between hitch ball and drawbar is correct and secure. Check ball/coupler connection periodically for tightness.
- Travel slowly over rough ground.
- Avoid ditches and banks to reduce the possibility of loss of control.
- Avoid tight turns that could result in machine tires contacting the greensmower trailer drawbar.
- Transport the greensmower trailer with the tailgate raised and latched in position.
- Do not exceed recommended weight restrictions of trailer, hitch coupler or hitch ball.
- Use recommended hitch ball only. A smaller or larger hitch ball will result in an unsafe and extremely dangerous connection. This could result in separation of trailer and machine or hitch ball failure.

Towing Loads Safely

- Stopping distance increases with speed and weight of towed load. Travel slowly and allow extra time and distance to stop.
- Total towed weight must not exceed limits specified in towing vehicle operator's manual.
- Excessive towed load can cause loss of traction and loss of control on slopes. Reduce towed weight when operating on slopes.
- Never allow children or others in or on towed equipment.
- Use only approved hitches. Tow only with a machine that has a hitch designed for towing. Do not attach towed equipment except at the approved hitch point.
- Follow the manufacturer's recommendations for weight limits for towed equipment and towing on slopes. Use counterweights or wheel weights as described in the machine operator's manual.
- Do not turn sharply. Use additional caution when turning or operating under adverse surface conditions. Use care when reversing.
- Do not shift to neutral and coast downhill.

Protect Bystanders

- Keep bystanders away when you operate a towed attachment.
- Before you back machine and attachment, look carefully behind

attachment for bystanders.

Keep Riders Off Towed Attachment

Keep riders off of a towed attachment.

Riders on a towed attachment are subject to injury, such as being struck by objects and being thrown off the attachment during sudden starts, stops and turns.

Riders obstruct the operator's view, resulting in the attachment being used in an unsafe manner.

Keep riders off of hitch bracket.

Avoid Injury From Drawbar

Before you disconnect an attachment from machine hitch plate:

- Unload attachment.
- Stop attachment on level ground.
- Stop machine engine.
- Lock machine park brake.
- Block attachment wheels.
- Make sure hands, feet or other body parts are not under drawbar.

Avoid Tipping and Skidding Trailer

- Weight of machine and operator must be more than weight of greensmower trailer and load.
- A safe load on dry, level ground may cause the machine to lose traction and skid on slippery or sloped ground.
- Reduce speed and load size if operating on slopes or slippery terrain.
- Do not use greensmower trailer near edge of ditch or bank.
- Avoid holes, rocks, and roots.
- Slow down before you turn.
- Do not tow greensmower trailer with box raised on machine (if equipped).
- Do not back up greensmower trailer with box raised on machine (if equipped).

ASSEMBLY

Assembly

Parts in Kit

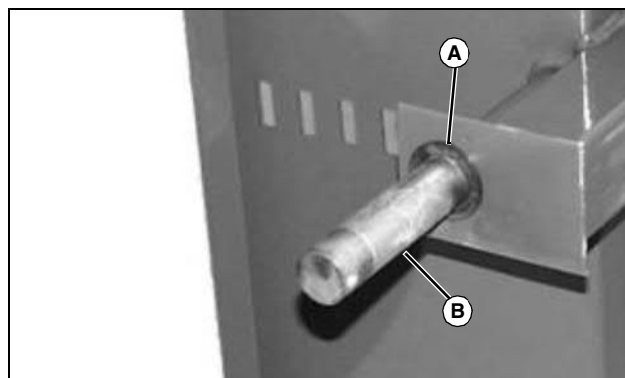
Qty.	Description
1	Trailer Frame
1	Tailgate
2	Wheel
1	Drawbar
2	Tie-Down Bar
1	Telescopic Tailgate Stop (Inner-Bar)
1	Telescopic Tailgate Stop (Outer-Sleeve)
1	Hitch Coupler

Parts In Bag

Qty.	Description
2	Capscrew, 3/8 x 3-1/4 in.
2	Capscrew, 3/8 x 3 in.
8	Capscrew, 3/8 x 1.5 in.
2	Capscrew, 1/2 x 1-1/4 in.
8	Capscrew, 5/16 x 1.0 in.
8	Capscrew, 5/16 x 3/4 in.
4	Locknut, 3/8 in.
28	Locknut, 5/16 in.
2	Locknut, 1/2 in.
32	Washer, 11/32 in.
8	Washer, 13/32 in.
2	Cotter Pin, 3/16 x 2 in
2	Cotter Pin, 1/8 x 1-1/4 in.
7	Washer, Nylon
4	Bushing, Steel, 1 in. ID x 1.5 in. OD
2	Latch
2	Bracket, Tie-Down (Long Tube)
2	Bracket, Tie-Down (Short Tube)
4	Axle Catch
4	Axle Catch Bracket
4	Axle Catch Plate
2	Hub Cover

Assemble Trailer

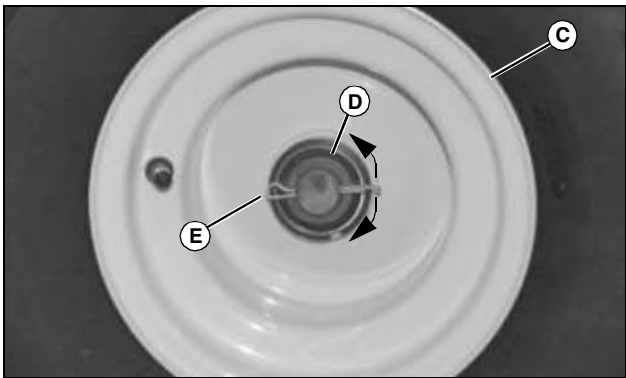
NOTE: Lift greensmower trailer box on end for ease of installation.



MX42810

1. Install steel bushing (A) on axle shaft. Repeat for other side.
2. Lubricate axle shaft (B) with John Deere Multi-purpose **SD Polyurea Grease**. Repeat for other side.

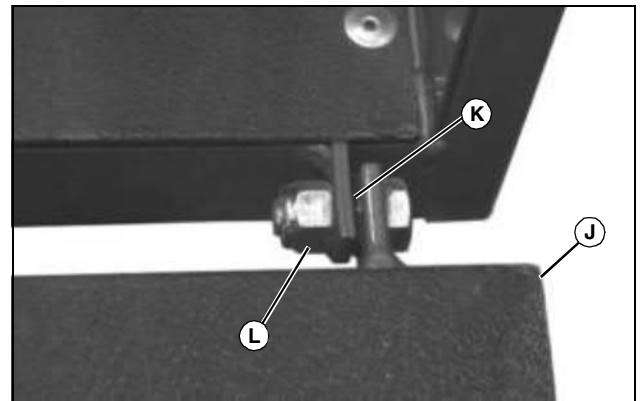
ASSEMBLY



MX16732

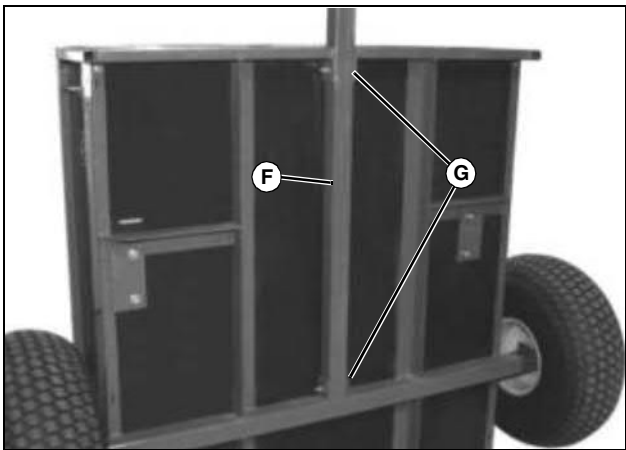
Picture Note: Hub cover not shown for photo clarity.

3. Install wheel (C), steel bushing (D), and 4.8 x 51 mm (3/16 x 2.0 in.) cotter pin (E). Bend ends of cotter pin outward. Install hub covers over bushing and cotter pin. Repeat for other side.



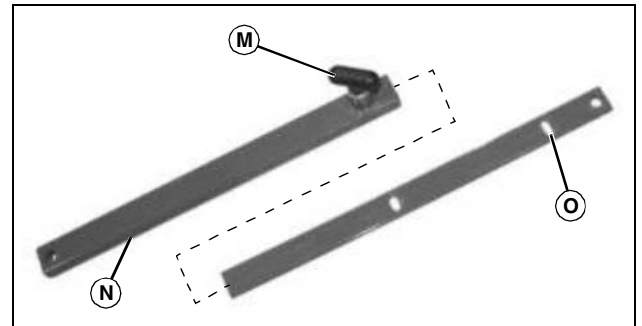
MX42811

6. Align tailgate (J) with trailer. Install nylon washer (K) between trailer and tailgate hinge. Install 1/2 x 1-1/4 in. capscrew and locknut (L). Repeat for other side.



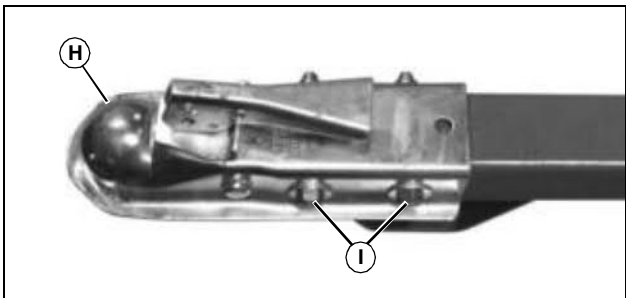
MX42809

4. Place drawbar (F) into slot on trailer frame and secure with two 3/8 x 3-1/4 in. capscrews, two washers (one on each side), and locknuts (G).



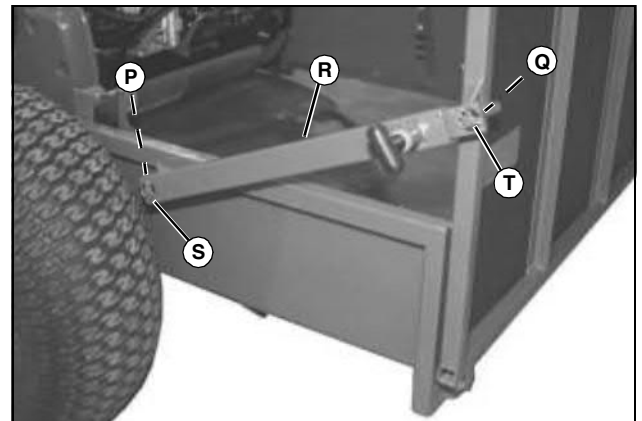
MX42966

7. Assemble telescopic tailgate stop. Lift up on latch handle (M) and slide inner bar into outer sleeve (N) as shown until latch locks in right detent (O).



MX42813

5. Position trailer in normal operating position on tires and drawbar-rest and install hitch coupler (H) using two 3/8 x 3 in. capscrews, four washers, and two nuts (I).



MX42812

8. Install one nylon washer (P) on stud on left side of trailer and two nylon washers (Q) on stud on left side of tailgate.

9. Install tailgate stop assembly (R) on trailer, with inner bar mounted on tailgate. Install one nylon washer over stop assembly on trailer (S) and tailgate (T) studs.

10. Install 3.2 x 32 mm (1/8 x 1-1/4 in.) cotter pin in the end of each stud (S, T). Bend cotter pins to retain in place.



Suggest:

If the above button click is invalid.

Please download this document

first, and then click the above link

to download the complete manual.

Thank you so much for reading

INSTALLING

Installing

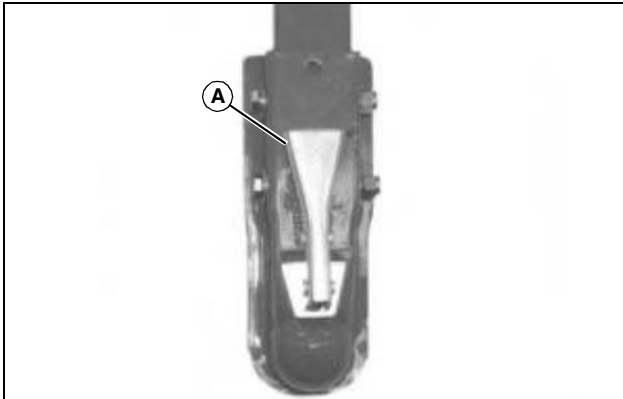
Hitching Trailer



CAUTION: Avoid injury! Keep hands and feet from under hitch coupler when attaching or removing it from machine.

NOTE: Machine must be equipped with 47.6 mm (1-7/8 in. hitch ball) for greensmower trailer use.

1. Park machine safely. (See Parking Safely in the SAFETY section.)

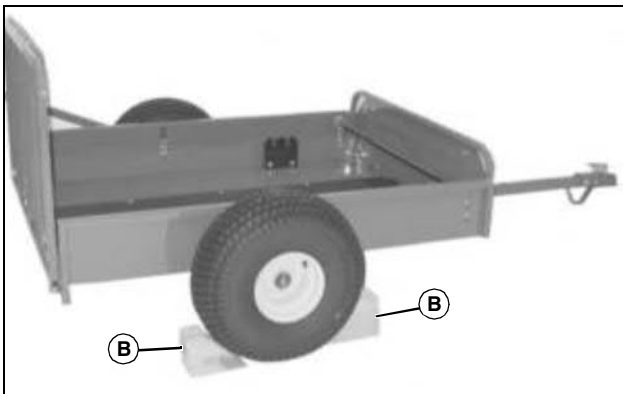


MX16733

Picture Note: Top view of hitch coupler shown.

2. Lift up on hitch coupler latch lever (A). Lift drawbar and connect hitch coupler to hitch ball on machine.

3. Press latch lever (A) on coupler down fully.

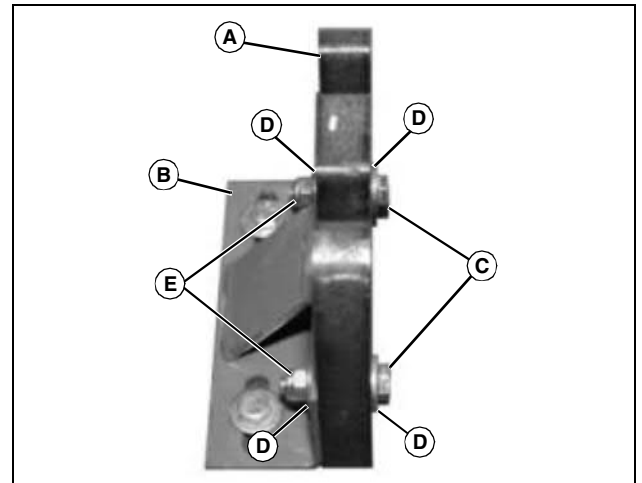


MX16885

4. Remove blocks (B) from wheels.

Install Axle Brackets

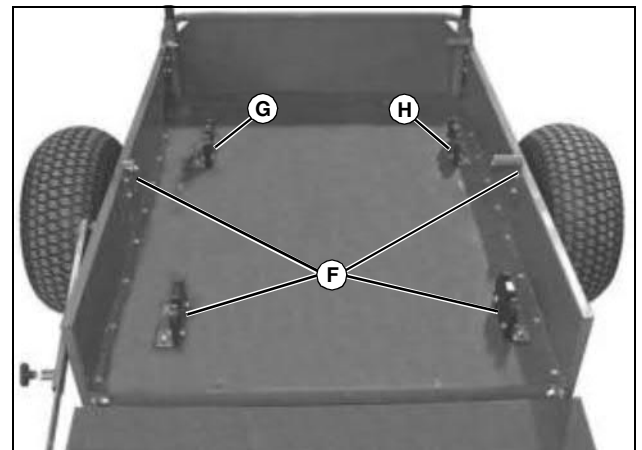
Install Axle Brackets for Model 220 E-Cut WBG M



MX42816

1. Assemble axle catch (A) to axle catch bracket (B) using two 5/16 x 1 in. cap screws (C), four washers (D), and two locknuts (E). Repeat to assemble remaining axle catch assemblies. Tighten securely.

NOTE: If trailer will only be used for one greensmower, it is not necessary to install the hold-down components (F) for a second greensmower in the rear of the trailer. Retain these components for later use.



MX42814

2. Position an axle catch assembly (G) on the trailer bed as shown and install two 5/16 x 1 in. cap screws and washers through the bracket and trailer bed.

<https://www.ebooklibonline.com>

Hello dear friend!

Thank you very much for reading.

Enter the link into your browser.

The full manual is available for immediate download.

<https://www.ebooklibonline.com>