

JOHN DEERE
WORLDWIDE COMMERCIAL & CONSUMER
EQUIPMENT DIVISION

Walk-Behind Greensmower Trailer
22B

OMTCU27387 E9

OPERATOR'S MANUAL



JOHN DEERE

All information, illustrations and specifications in this manual are based on the latest information at the time of publication. The right is reserved to make changes at any time without notice.

COPYRIGHT© 2009
Deere & Co.

John Deere Worldwide Commercial and
Consumer Equipment Division
All rights reserved
Previous Editions
COPYRIGHT© 2002

North American Version
Litho in U.S.A.

PRODUCT IDENTIFICATION

Product Identification

Product Compatibility

The Greensmower Trailer is compatible with all machines equipped with a 47.6 mm (1-7/8 in.) ball-type hitch.

Record Purchase Information

Record your purchase information in the spaces provided below.

DATE OF PURCHASE:

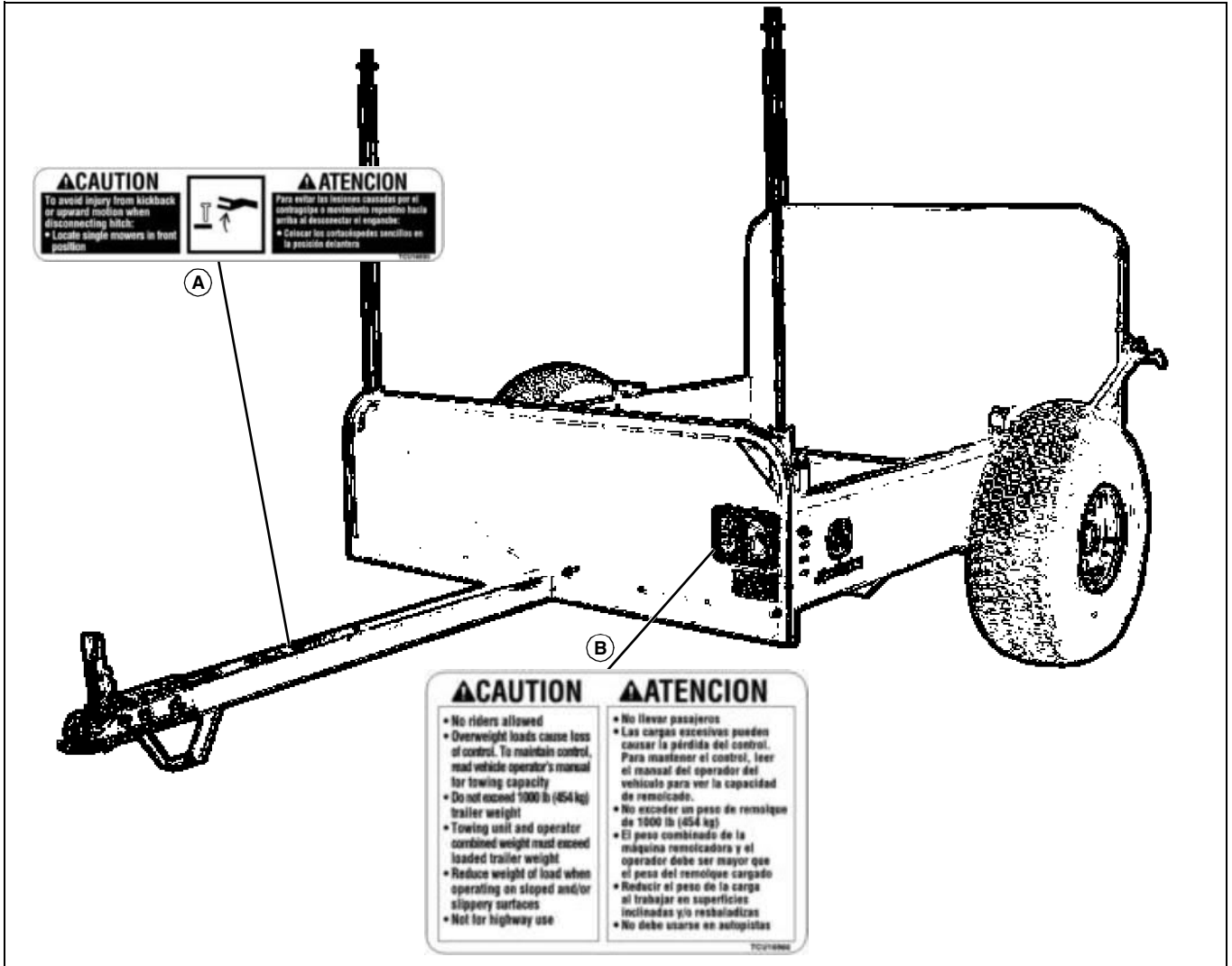
DEALER NAME:

DEALER PHONE:

SAFETY LABELS

Safety Label Locations

Safety Labels



MX42960

CAUTION

A- CAUTION TCU16930

B- CAUTION TCU16966



Understanding The Machine Safety Labels

The machine safety labels shown in this section are placed in important areas on your machine to draw attention to potential safety hazards.

On your machine safety labels, the words DANGER, WARNING, and CAUTION are used with this safety-alert symbol. DANGER identifies the most serious hazards.

The operator's manual also explains any potential safety hazards whenever necessary in special safety messages that are identified with the word, CAUTION, and the safety-alert symbol.



TCU16966a

- No riders allowed
- Overweight loads cause loss of control. To maintain control, read vehicle operator's manual for towing capacity
- Do not exceed 1000 lb (454 kg) trailer weight
- Towing unit and operator combined weight must exceed loaded trailer weight
- Reduce weight of load when operating on sloped and/or slippery surfaces
- Not for highway use

<https://www.ebooklibonline.com>

Hello dear friend!

Thank you very much for reading.

Enter the link into your browser.

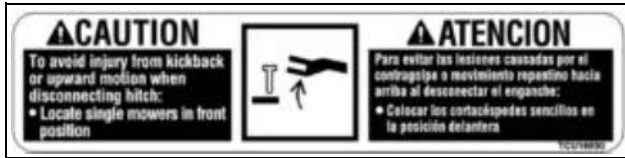
The full manual is available for immediate download.

<https://www.ebooklibonline.com>

SAFETY

- Reduce weight of load when operating on sloped and/or slippery surfaces
- Not for highway use

CAUTION



TCU16930a

To avoid injury from kickback or upward motion when disconnecting hitch:

- Locate single mowers in front position

Safety

Read Safety in Machine Operator's Manual

Read the general safety operating precautions in your machine operator's manual for additional safety information.

Operate Safely

- Check machine brake action before you operate. Adjust or service brakes as necessary.
- Inspect machine before you operate. Be sure hardware is tight. Repair or replace damaged, badly worn, or missing parts. Be sure guards and shields are in good condition and fastened in place. Make any necessary adjustments before you operate.
- Do not leave machine unattended when it is running.
- Only operate during daylight or with good artificial light.
- Do not let anyone, especially children, ride on machine or greensmower trailer.
- Do not let children or an untrained person operate machine.
- Do not operate machine if you are under the influence of drugs or alcohol.
- Do not operate machine at high speeds when you tow the greensmower trailer.
- Be sure connection between hitch ball and drawbar is correct and secure. Check ball/coupler connection periodically for tightness.
- Travel slowly over rough ground.
- Avoid ditches and banks to reduce the possibility of loss of control.
- Avoid tight turns that could result in machine tires contacting the greensmower trailer drawbar.
- Transport the greensmower trailer with the tailgate raised and latched in position.
- Do not exceed recommended weight restrictions of trailer, hitch coupler or hitch ball.
- Use recommended hitch ball only. A smaller or larger hitch ball will result in an unsafe and extremely dangerous connection. This could result in separation of trailer and machine or hitch ball failure.

Towing Loads Safely

- Stopping distance increases with speed and weight of towed load. Travel slowly and allow extra time and distance to stop.

- Total towed weight must not exceed limits specified in towing vehicle operator's manual.
- Excessive towed load can cause loss of traction and loss of control on slopes. Reduce towed weight when operating on slopes.
- Never allow children or others in or on towed equipment.
- Use only approved hitches. Tow only with a machine that has a hitch designed for towing. Do not attach towed equipment except at the approved hitch point.
- Follow the manufacturer's recommendations for weight limits for towed equipment and towing on slopes. Use counterweights or wheel weights as described in the machine operator's manual.
- Do not turn sharply. Use additional caution when turning or operating under adverse surface conditions. Use care when reversing.
- Do not shift to neutral and coast downhill.

Protect Bystanders

- Keep bystanders away when you operate a towed attachment.
- Before you back machine and attachment, look carefully behind attachment for bystanders.

Keep Riders Off Towed Attachment

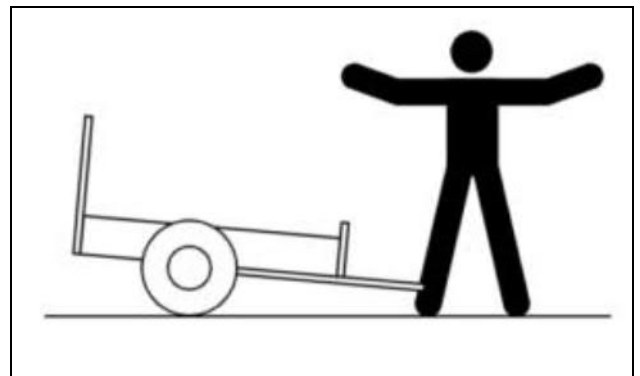
Keep riders off of a towed attachment.

Riders on a towed attachment are subject to injury, such as being struck by objects and being thrown off the attachment during sudden starts, stops and turns.

Riders obstruct the operator's view, resulting in the attachment being used in an unsafe manner.

Keep riders off of hitch bracket.

Avoid Injury From Drawbar



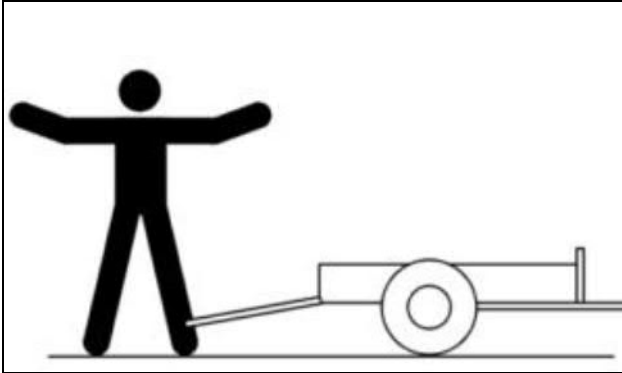
MX16863

Before you disconnect greensmower trailer from machine hitch:

- Unload greensmower trailer.
- Stop greensmower trailer on level ground.
- Stop engine.
- Lock park brake.
- Block greensmower trailer wheels.
- Make sure feet are not under hitch coupler.

ASSEMBLY

Keep Feet from Under Tailgate



MX16864

Before you service, clean, or inspect greensmower trailer:

- Park machine safely. (See Parking Safely in the SAFETY section.)
- Stop greensmower trailer on level ground.
- Make sure tailgate lever is locked in position.
- Make sure feet are not under tailgate.

Avoid Tipping and Skidding Trailer

- Weight of machine and operator must be more than weight of greensmower trailer and load.
- A safe load on dry, level ground may cause the machine to lose traction and skid on slippery or sloped ground.
- Reduce speed and load size if operating on slopes or slippery terrain.
- Do not use greensmower trailer near edge of ditch or bank.
- Avoid holes, rocks, and roots.
- Slow down before you turn.
- Do not tow greensmower trailer with box raised on machine (if equipped).
- Do not back up greensmower trailer with box raised on machine (if equipped).

Assembly

Parts in Kit

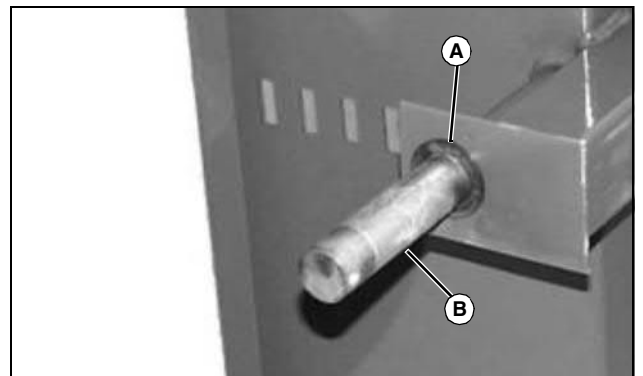
| Qty. | Description |
|------|---|
| 1 | Trailer Frame |
| 1 | Tailgate |
| 2 | Wheel |
| 1 | Drawbar |
| 2 | Tie-Down Bar |
| 1 | Telescopic Tailgate Stop (Inner-Bar) |
| 1 | Telescopic Tailgate Stop (Outer-Sleeve) |
| 1 | Hitch Coupler |

Parts In Bag

| Qty. | Description |
|------|---------------------------------------|
| 2 | Capscrew, 3/8 x 3-1/4 in. |
| 2 | Capscrew, 3/8 x 3 in. |
| 8 | Capscrew, 3/8 x 1.5 in. |
| 2 | Capscrew, 1/2 x 1-1/4 in. |
| 8 | Capscrew, 5/16 x 1.0 in. |
| 8 | Capscrew, 5/16 x 3/4 in. |
| 4 | Locknut, 3/8 in. |
| 28 | Locknut, 5/16 in. |
| 2 | Locknut, 1/2 in. |
| 32 | Washer, 11/32 in. |
| 8 | Washer, 13/32 in. |
| 2 | Cotter Pin, 3/16 x 2 in |
| 2 | Cotter Pin, 1/8 x 1-1/4 in. |
| 7 | Washer, Nylon |
| 4 | Bushing, Steel, 1 in. ID x 1.5 in. OD |
| 2 | Latch |
| 2 | Bracket, Tie-Down (Long Tube) |
| 2 | Bracket, Tie-Down (Short Tube) |
| 4 | Axle Catch |
| 4 | Axle Catch Bracket |
| 4 | Axle Catch Plate |
| 2 | Hub Cover |

Assemble Trailer

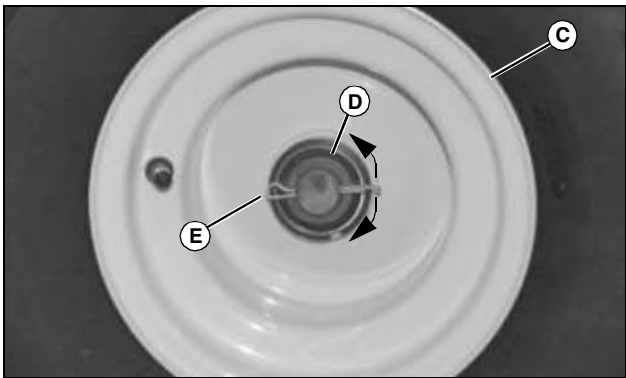
NOTE: Lift greensmower trailer box on end for ease of installation.



MX42810

1. Install steel bushing (A) on axle shaft. Repeat for other side.
2. Lubricate axle shaft (B) with John Deere Multi-purpose **SD Polyurea Grease**. Repeat for other side.

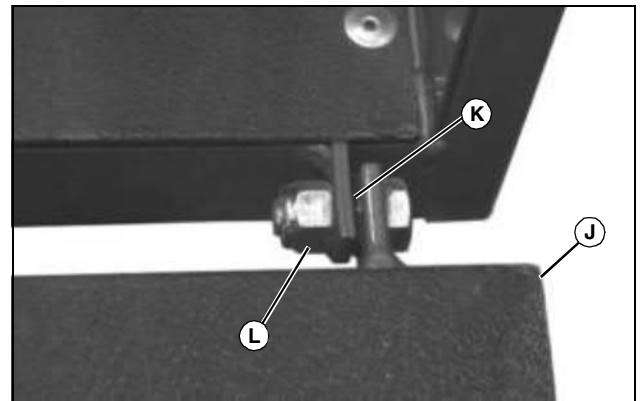
ASSEMBLY



MX16732

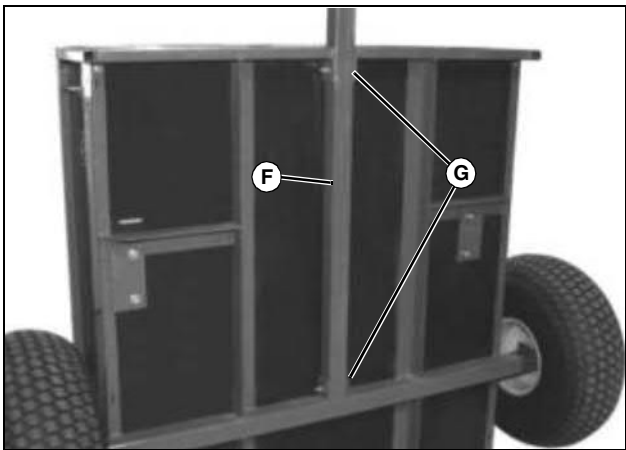
Picture Note: Hub cover not shown for photo clarity.

3. Install wheel (C), steel bushing (D), and 4.8 x 51 mm (3/16 x 2.0 in.) cotter pin (E). Bend ends of cotter pin outward. Install hub covers over bushing and cotter pin. Repeat for other side.



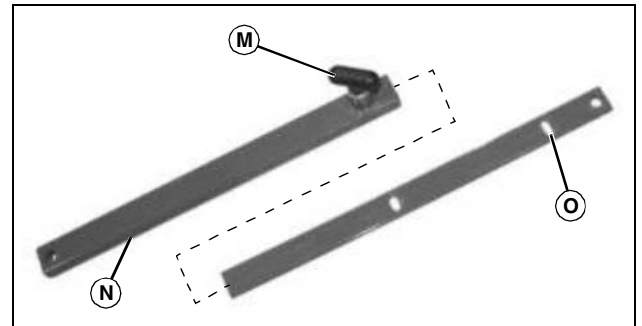
MX42811

6. Align tailgate (J) with trailer. Install nylon washer (K) between trailer and tailgate hinge. Install 1/2 x 1-1/4 in. capscrew and locknut (L). Repeat for other side.



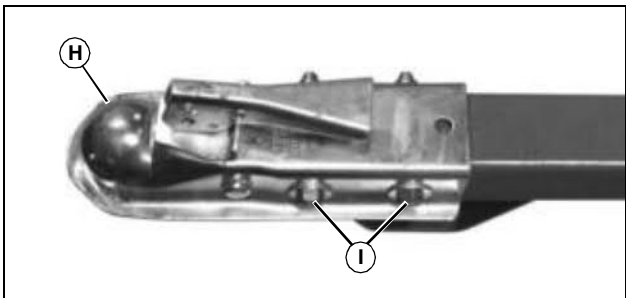
MX42809

4. Place drawbar (F) into slot on trailer frame and secure with two 3/8 x 3-1/4 in. capscrews, two washers (one on each side), and locknuts (G).



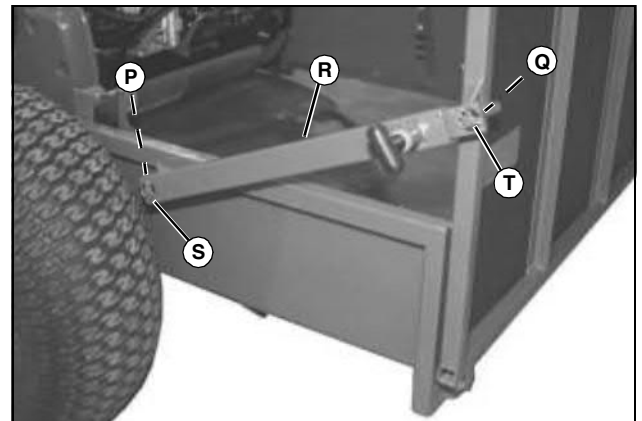
MX42966

7. Assemble telescopic tailgate stop. Lift up on latch handle (M) and slide inner bar into outer sleeve (N) as shown until latch locks in right detent (O).



MX42813

5. Position trailer in normal operating position on tires and drawbar-rest and install hitch coupler (H) using two 3/8 x 3 in. capscrews, four washers, and two nuts (I).



MX42812

8. Install one nylon washer (P) on stud on left side of trailer and two nylon washers (Q) on stud on left side of tailgate.

9. Install tailgate stop assembly (R) on trailer, with inner bar mounted on tailgate. Install one nylon washer over stop assembly on trailer (S) and tailgate (T) studs.

10. Install 3.2 x 32 mm (1/8 x 1-1/4 in.) cotter pin in the end of each stud (S, T). Bend cotter pins to retain in place.



Suggest:

If the above button click is invalid.

Please download this document first, and then click the above link to download the complete manual.

Thank you so much for reading

INSTALLING

Installing

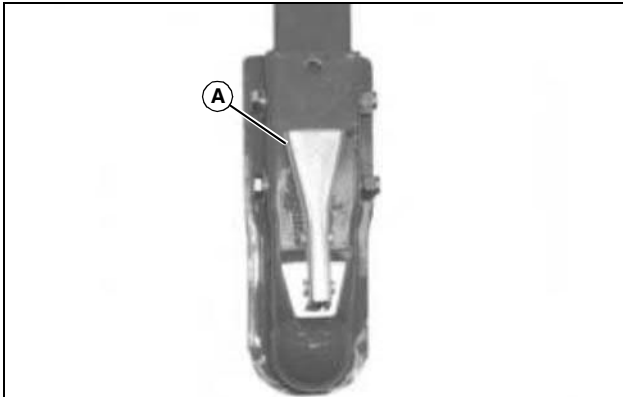
Hitching Trailer



CAUTION: Avoid injury! Keep hands and feet from under hitch coupler when attaching or removing it from machine.

NOTE: Machine must be equipped with 47.6 mm (1-7/8 in. hitch ball) for greensmower trailer use.

1. Park machine safely. (See Parking Safely in the SAFETY section.)

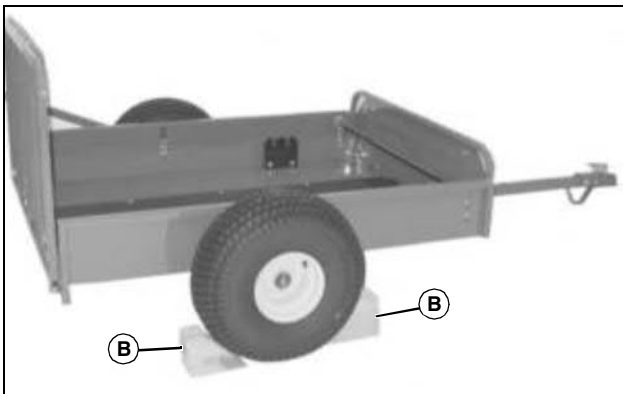


MX16733

Picture Note: Top view of hitch coupler shown.

2. Lift up on hitch coupler latch lever (A). Lift drawbar and connect hitch coupler to hitch ball on machine.

3. Press latch lever (A) on coupler down fully.

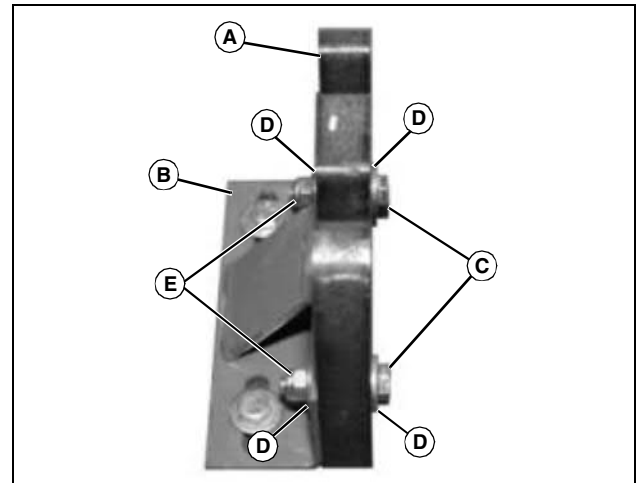


MX16885

4. Remove blocks (B) from wheels.

Install Axle Brackets

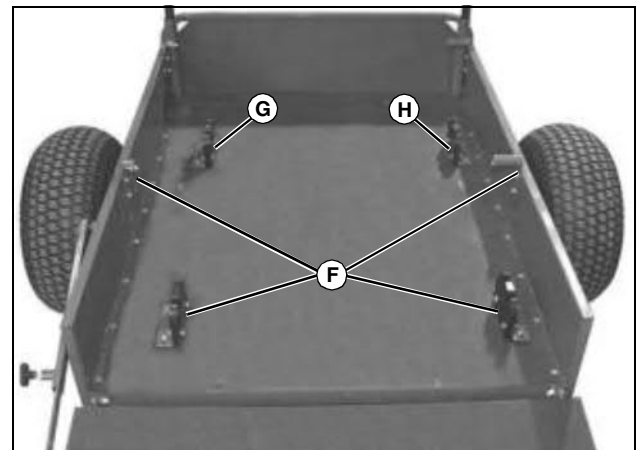
Install Axle Brackets for Model 220 E-Cut WBG M



MX42816

1. Assemble axle catch (A) to axle catch bracket (B) using two 5/16 x 1 in. cap screws (C), four washers (D), and two locknuts (E). Repeat to assemble remaining axle catch assemblies. Tighten securely.

NOTE: If trailer will only be used for one greensmower, it is not necessary to install the hold-down components (F) for a second greensmower in the rear of the trailer. Retain these components for later use.



MX42814

2. Position an axle catch assembly (G) on the trailer bed as shown and install two 5/16 x 1 in. cap screws and washers through the bracket and trailer bed.

<https://www.ebooklibonline.com>

Hello dear friend!

Thank you very much for reading.

Enter the link into your browser.

The full manual is available for immediate download.

<https://www.ebooklibonline.com>