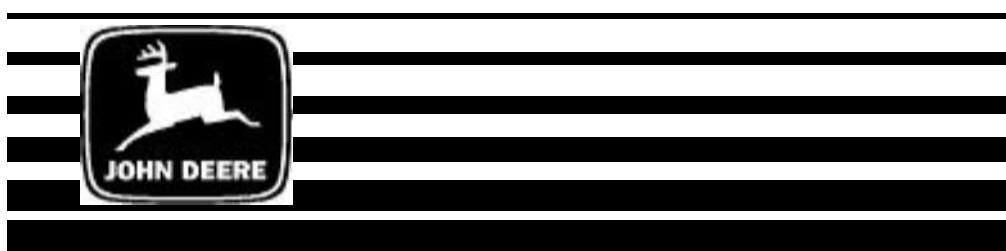


**15 and 25 Gallon  
Wheeled Sprayers and  
25 Gallon Portable Sprayer**

(Serial No. 015001 – )



**OPERATOR'S  
MANUAL**

**John Deere  
Lawn & Grounds Care Division  
OMM125813 L5**

North American Version  
Litho in U.S.A  
English



## TABLE OF CONTENTS

---

	Page
<b>Safety Signs</b>	
Safety-Alert Symbol .....	1
Machine Safety Labels .....	1
<b>Preparing the Vehicle</b>	
Tractor Requirements (15 and 25 Gallon Wheeled Sprayers) .....	2
Vehicle Requirements (25 Gallon Portable Sprayer) .....	2
<b>Installing</b>	
Park Vehicle Safely .....	3
Attach Sprayer to Tractor .....	3
Route Wiring Harness – Units Equipped With Mid Battery .....	4
Route Wiring Harness – Units Equipped With Front Battery .....	5
Route Wires to Front Battery – Units So Equipped .....	6
<b>Removing</b>	
Park Vehicle Safely .....	7
Removing Sprayer .....	7
<b>Operating</b>	
SAFETY:	
Operate Safely .....	9
Wear Appropriate Clothing .....	10
Use Chemicals Safely .....	10
Dispose of Chemicals Safely .....	11
Lifting Portable Sprayer Safely .....	11
Transporting Portable Sprayer Safely .....	11
Transporting Wheeled Sprayer Safely .....	12
Spraying Tips .....	12

---

**<https://www.ebooklibonline.com>**

Hello dear friend!

Thank you very much for reading.

Enter the link into your browser.

The full manual is available for immediate download.

**<https://www.ebooklibonline.com>**

## TABLE OF CONTENTS

---

---

	<b>Page</b>
General Spraying Information .....	13
Adjusting Tip Height and Width .....	14
Starting and Stopping Sprayer .....	14
Using Handgun and Boom Nozzles .....	15
Adjusting Pump .....	17
 <b>Replacement Parts</b>	
Parts Available .....	18
 <b>Service Machine Safely</b>	
Practice Safe Maintenance .....	19
Wear Appropriate Clothing .....	20
 <b>Service</b>	
Greasing Wheels .....	21
Checking Tire Pressure .....	21
Cleaning Spray Nozzle .....	21
Cleaning Pump Filter .....	22
Changing Fuse .....	22
 <b>Troubleshooting</b>	
Using Troubleshooting Chart .....	23
 <b>Storing Machine</b>	
Store Machine Safely .....	25
 <b>Assembly</b>	
Bag of Parts .....	26
Identify Parts (15 Gallon Sprayer) .....	27
Identify Parts (Wheeled Model) (25 Gallon) .....	28
Identify Parts (Portable Model) .....	29

## TABLE OF CONTENTS

---

---

	<b>Page</b>
Assemble End Plates to Tank Supports (15 Gallon Sprayer) .....	30
Assemble End Plates to Tank Supports (25 Gallon Sprayer) .....	31
Assemble Hitch Supports to End Plates and Drawbar to Hitch Supports .....	32
Assemble Hitch Clevis to Drawbar .....	33
Install Axle Mount Plates and Wheels to End Plates .....	33
Assemble Spray Boom Supports to Tank Supports .....	35
Assemble Spray Boom to Spray Boom Supports (15 Gallon Sprayer) .....	35
Assemble Spray Boom to Boom Supports and Spray Boom Extensions to Main Boom (25 Gallon Sprayer) .....	36
Assemble Sprayer Tank to Sprayer Frame .....	37
Install Boom Hose Assembly (15 Gallon Sprayer).....	38
Install Boom Hose Assembly (25 Gallon Sprayer).....	39
 <b>Specifications</b>	
Model 15 Gallon Wheeled Sprayer.....	40
Model 25 Gallon Sprayers (Wheeled and Portable) .....	41
 <b>John Deere Service Literature</b>	
Order Form .....	43

All information, illustrations and specifications in this manual are based on the latest information at the time of publication. The right is reserved to make changes at any time without notice.

COPYRIGHT© 1995  
John Deere Horicon Works  
All rights reserved

# SAFETY SIGNS

## Safety-Alert Symbol

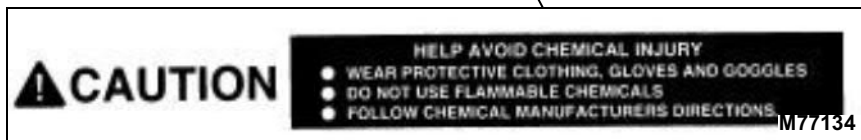
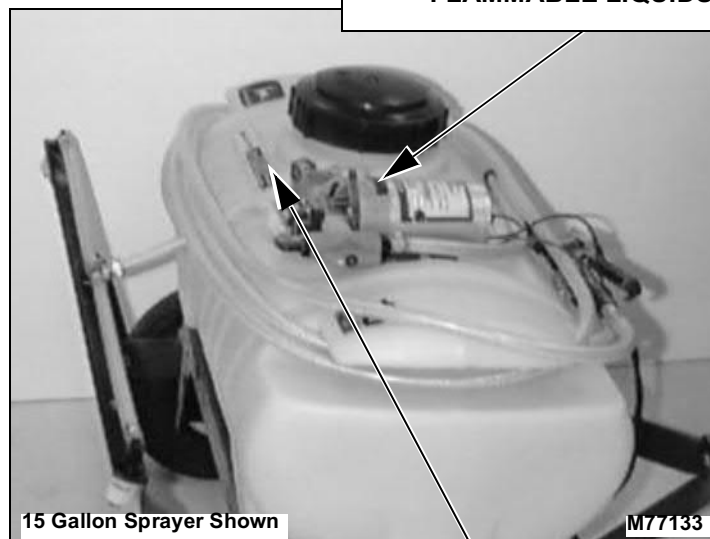
Read and recognize safety information. Be alert to the potential for personal injury when you see this safety-alert symbol.

On your machine safety labels, the words DANGER, WARNING, and CAUTION are used with this safety-alert symbol. DANGER identifies the most serious hazards. In this manual, the word CAUTION and this symbol call attention to safety messages.



## Machine Safety Labels

CAUTION: NOT FOR USE WITH  
FLAMMABLE LIQUIDS.



## **PREPARING THE VEHICLE**

---

---

### **Tractor Requirements (15 and 25 Gallon Wheeled Sprayers)**

Make sure tractor tire pressure is correct. (See your tractor operator's manual for the correct pressure.)

Tractor weights improve stability. Add front weights for better front-end stability and steering. See your John Deere dealer for these weights. Instructions to install will come with the weights.

Your tractor requires the following:

- 12-Volt Battery and Alternator
- Drawbar
- Wiring Harness Extension: This part is required on all tractors that have the battery located in front of the engine. Order this wiring harness from your John Deere dealer.

On tractors equipped with rear suitcase weights or grass bagging attachments: These attachments need to be removed before installing sprayer. They are not compatible with this sprayer. Bagger mounting brackets may remain installed.

### **Vehicle Requirements (25 Gallon Portable Sprayer)**

Please read the sections on operation and spraying safety in your operator's manual. Pay particular attention to the section dealing with the 12 volt wire harness installation.

You should pay particular attention to what the sprayer will be transported with. Be sure that the unit is capable of carrying the 25 gallon portable sprayer fully loaded. When loaded it will weigh about 101 kg (222 lbs), so it is important that the unit be secured properly and that the carrying vehicle can safely carry that load.

# INSTALLING

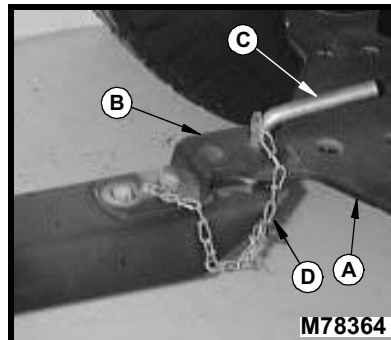
---

## Park Vehicle Safely

- Stop vehicle on a level surface, not on a slope.
- Disengage PTO.
- Engage the park brake.
- STOP the engine.
- Remove the key.
- Before you leave the operator's seat, wait for engine and all moving parts to STOP.

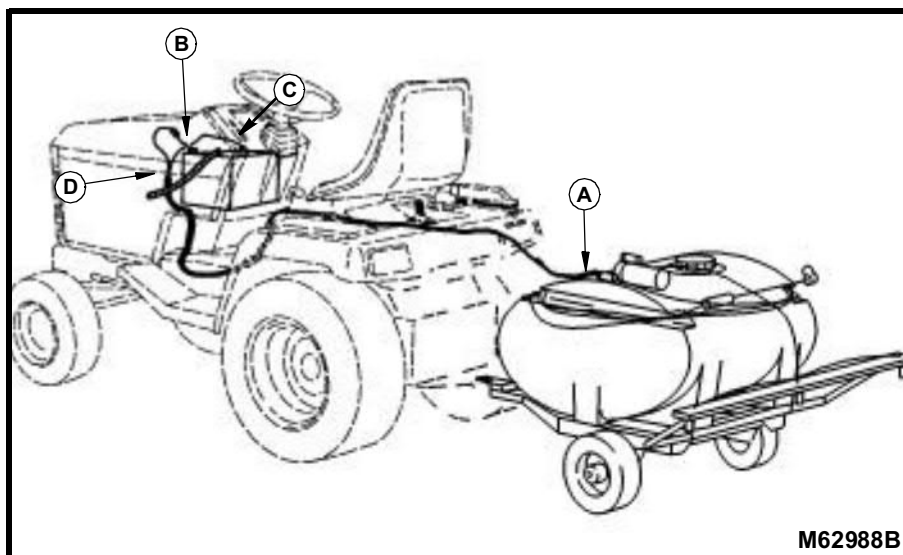
## Attach Sprayer to Tractor

1. Pull sprayer in line with the drawbar on the tractor.
2. Pull sprayer forward until drawbar (A) on tractor is between clevis (B) on sprayer.
3. Put tethered pin assembly (C) into hole on clevis and through drawbar.
4. Fasten with spring locking pin (D).
5. Swing boom extensions out and lock in place.  
(25 Gallon Sprayer Only)



## INSTALLING

### Route Wiring Harness – Units Equipped with Mid Battery



1. Connect long end from switch to pump leads (A).
2. Route harness as shown. On some units route wire on right side of fuel tank filler.

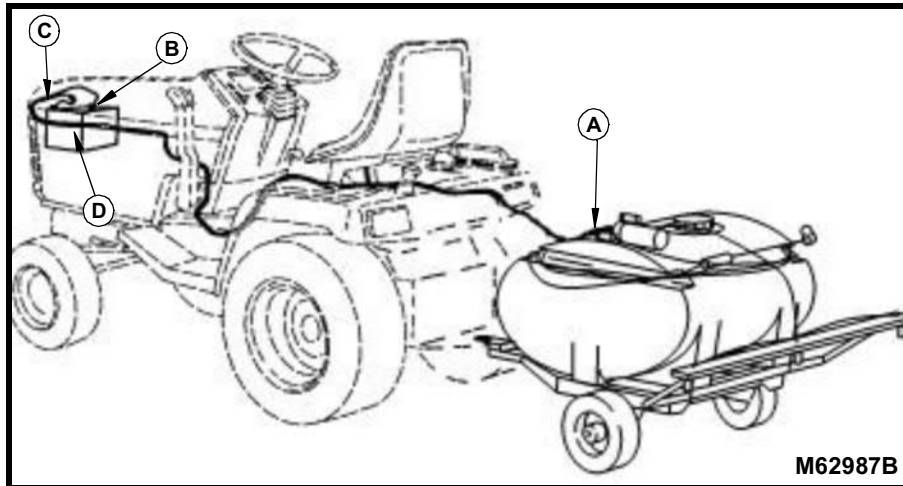
**IMPORTANT:** To help prevent a possible electric spark, install the red positive (+) wire to the positive battery terminal first. Then install the negative terminal.

3. Fasten red lead to positive (+) terminal (B) of battery.
4. Fasten black lead to negative (–) terminal (C) of battery.
5. Connect short end to battery leads (D) of harness.

**NOTE: MAKE SURE hood does not close on wires or connectors.**

## INSTALLING

### Route Wiring Harness – Units Equipped with Front Battery



**NOTE:** You will need a 74 cm (29-in.) extension wire.  
Purchase from your John Deere dealer.

1. Connect long end from switch to pump leads (A).
2. Route wire on right side of fuel tank filler.

**IMPORTANT:** To help prevent a possible electric spark, install the red positive (+) wire to the positive battery terminal first. Then install the negative terminal.

3. Fasten red lead to positive (+) terminal (B) of battery.
4. Fasten black lead to negative (–) terminal (C) of battery.
5. Connect extension (D), not furnished; to short end from switch. Then route extension under forward hood rod and connect it to battery leads.

**NOTE:** MAKE SURE hood does not close on wires or connectors.

## INSTALLING

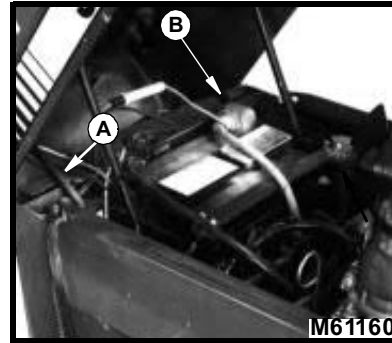
---

---

### Route Wires to Front Battery – Units So Equipped

1. Route main wire under forward hood rod (A).
2. Route red lead inside red rubber terminal cover (B).

**NOTE: MAKE SURE** hood does not close on wires or connectors.



# REMOVING

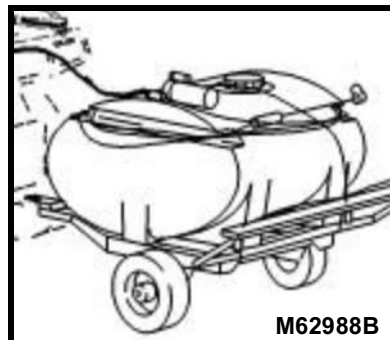
---

## Park Vehicle Safely

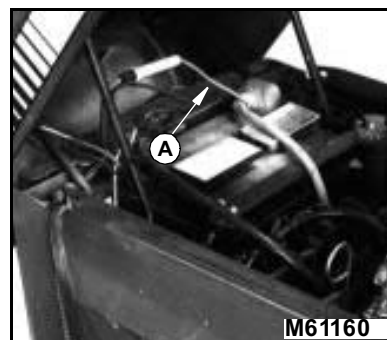
- Stop vehicle on a level surface, not on a slope.
- Disengage PTO.
- Engage the park brake.
- STOP the engine.
- Remove the key.
- Before you leave the operator's seat, wait for engine and all moving parts to STOP.

## Removing Sprayer

1. Empty the tank.
2. Flush the tank.



3. Disconnect wire harness (A) from battery leads. Roll harness and store with tank.



## REMOVING

---

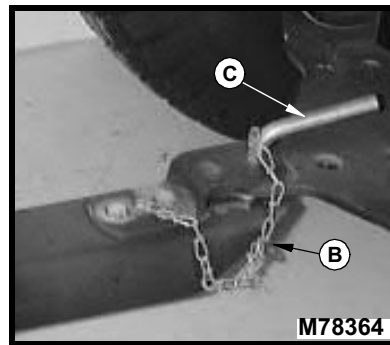
4. Fold in boom extensions,  
(25 Gallon Sprayer Only).



5. Pull spring locking pin (B) out of  
hitch pin and remove hitch pin (C).

6. Pull sprayer back from tractor.

7. Put hitch pin in sprayer hitch for  
storage.



# OPERATING

---

## SAFETY

---

### Operate Safely



- Check vehicle brake action before you operate. Adjust or service brakes as necessary.
- Inspect machine before you operate. Be sure hardware is tight. Repair or replace damaged, badly worn, or missing parts. Be sure guards and shields are in good condition and fastened in place. Make any necessary adjustments before you operate.
- Make repairs before you operate. Keep machine properly maintained and in good working order.
- Keep children away from spraying area.
- DO NOT leave machine unattended when it is running.
- Only operate during daylight or with good artificial light.
- DO NOT let anyone, especially children, ride on sprayer or vehicle.
- DO NOT let children or untrained person operate machine.
- Do not direct spray toward bystanders or allow anyone near sprayer while in operation.
- If spray comes in contact with your body, immediately follow directions on chemical container pertaining to spray material.
- Do not spray during extreme heat or windy weather.
- Do not put nozzle tip or other parts to your lips to blow out dirt.
- Do not wear radio or music headphones while operating the machine. Safe operation requires your full attention.



**Suggest:**

**If the above button click is invalid.**

**Please download this document**

**first, and then click the above link**

**to download the complete manual.**

**Thank you so much for reading**

# OPERATING

---

---

## Wear Appropriate Clothing



- Wear close fitting clothing and safety equipment appropriate for the job.
- Loud noise can cause impairment or loss of hearing, wear a suitable protective device such as earplugs.

## Use Chemicals Safely



- DO NOT use flammable liquids.
- Chemicals can be dangerous. Improper selection or use can injure persons, animals, plants, soil or other properties.
- Follow directions for each specific chemical.
- Add chemicals to water—not water to chemicals.
- Never allow the water hose that is used to fill the tank to actually reach down into the spray mix. You may “contaminate” the end of the hose.
- Your spray dealer can tell you which sprays need to be followed by a spray neutralizer material.

**<https://www.ebooklibonline.com>**

Hello dear friend!

Thank you very much for reading.

Enter the link into your browser.

The full manual is available for immediate download.

**<https://www.ebooklibonline.com>**