

**JOHN DEERE**  
**WORLDWIDE COMMERCIAL & CONSUMER**  
**EQUIPMENT DIVISION**

---

**Wheeled and Portable Sprayers**  
**15, 25 and 45 Gallon**

SN (NA)

OMM160897 A9

**OPERATOR'S MANUAL**



**JOHN DEERE**

All information, illustrations and specifications in this manual are based on the latest information at the time of publication. The right is reserved to make changes at any time without notice.

COPYRIGHT© 2009  
Deere & Co.

John Deere Worldwide Commercial and Consumer Equipment Division

All rights reserved

Previous Editions

COPYRIGHT© 2004, 2006

North American Version  
Litho in U.S.A.

---

---

# INTRODUCTION

---

---

## Introduction

### Using Your Operator's Manual

Read this entire operator's manual, especially the safety information, before operating.

This manual is an important part of your machine. Keep all manuals in a convenient location so they can be accessed easily.

Use the safety and operating information in the attachment operator's manual, along with the machine operator's manual, to operate and service the attachment safely and correctly.

If your attachment manual has a section called Preparing the Machine, it means that you will have to do something to your tractor or vehicle before you can install the attachment. The Assembly and Installation sections of this manual provide information to assemble and install the attachment to your tractor or vehicle. Use the Service section to make any needed adjustments and routine service to your attachment.

If you have any questions or concerns with the assembly, installation, or operation of this attachment, see your local John Deere dealer or call the John Deere Customer Contact Center at 1-800-537-8233 for assistance.

Warranty information on this John Deere attachment can be found in the warranty that came with your John Deere tractor or vehicle.

---

---

## Product Identification

### Product Compatibility

The 15, 25, and 45 Gallon Sprayers are compatible with riding lawn and garden products.

---

---

## Safety

### Read Safety in Machine Operator's Manual

Read the general safety operating precautions in your machine operator's manual for additional safety information.

### Operate Safely

- Read the machine and attachment operator's manual carefully. Be thoroughly familiar with the controls and the proper use of the equipment. Know how to stop the machine and disengage the controls quickly.
- Do not let children or an untrained person operate machine.
- Make any necessary adjustments before you operate. Never attempt to make any adjustments while the engine is running, unless if recommended in adjustment procedure.
- Take all possible precautions when leaving the machine unattended. Shut off the engine before making any repairs, adjustments, or inspections. Lower the attachment, lock the parking brake, stop the engine, and remove the key.
- Look behind machine before you back up. Back up carefully.
- Do not let anyone, especially children, ride on machine or attachment. Riders are subject to injury such as being struck by foreign objects and being thrown off. Riders may also obstruct the operator's view, resulting in the machine being operated in an unsafe manner.
- Use only attachments and accessories approved by the manufacturer of this product.
- If the machine vibrates abnormally, stop the engine and check immediately for the cause. Vibration is generally a warning of trouble.

- Always refer to the Storage section of the operator's manual for important details if storing this product for a long period of time.
- Keep people and pets out of the work area. Stop machine if anyone enters the area.
- If you hit an object, stop the machine and inspect it. Make repairs before you operate. Keep machine properly maintained and in good working order. Keep all shields and guards in place.
- Always inspect the sprayer completely before and after each use. Before pressurizing the system, check to be sure all fittings and hoses are tightly installed. Be sure guards and shields are in good condition and fastened in place. Make any necessary adjustments before you operate.
- Never use the sprayer during windy conditions.
- Always release pressure in the system before filling, cleaning or servicing the sprayer.
- Do not put nozzle tip or other sprayer parts to your lips to blow out dirt. Use compressed air.
- If the sprayer is mounted to the bed of a utility vehicle, never raise the bed with the sprayer installed. Empty the sprayer and remove it from the bed if you need to raise the bed for any reason.

### Parking Safely

1. Stop vehicle on a level surface, not on a slope.
2. Lock park brake.
3. Stop engine.
4. Remove key.
5. Before you leave the operator's seat, wait for engine and all moving parts to stop.
6. Disconnect the negative battery cable or remove the spark plug wire (for gasoline engines) before servicing the machine.

### Mix and Handle Chemicals Safely

- It is best to wear full cover clothing and always wear protective goggles and rubber gloves to protect yourself while handling chemicals.
- Follow instructions on chemical container labels.
- Open all chemical containers carefully, using proper tools.
- Open, pour, weigh and mix chemicals in a well-ventilated area.
- Reserve all equipment used for the application of chemicals exclusively for that purpose.
- Prohibit all smoking, drinking and eating food in chemical-handling area.
- It is a good practice to take a soapy shower immediately after the using the sprayer to apply chemicals.
- Wash all clothing worn when using chemicals separately in the laundry after spraying is completed.

### Read Chemical Container Label

- Chemicals can be dangerous. Improper selection or use can injure persons, animals, plants, soils or other property. Select the right chemical for the job and handle and apply with care.
- Read the instructions, precautions, and warnings on the container label before opening. Use the product strictly according to label directions for specific applications, in the amounts specified, at the times specified and only when needed.
- Keep the container closed tightly except when preparing the mix.
- Do not remove labels from chemical containers. Store all chemicals in

# SAFETY

their original containers.

- Do not mix chemicals unless stated on the container label.
- Store chemicals when not in use according to the container label.

## Handle Chemical Products Safely

- Direct exposure to hazardous chemicals can cause serious injury. Potentially hazardous chemicals used with John Deere equipment include pesticides, herbicides and fungicides.
- A Material Safety Data Sheet (MSDS) provides specific details on chemical products: physical and health hazards, safety procedures, and emergency response techniques.
- The MSDS should be obtained from the chemical dealer at the time of the chemical purchase.
- Check the MSDS before beginning any job using a hazardous chemical. Know exactly what the risks are and how to do the job safely. Always wear recommended personal protection equipment.

## Towing Loads Safely

- Stopping distance increases with speed and weight of towed load. Travel slowly and allow extra time and distance to stop.
- Total towed weight must not exceed limits specified in towing vehicle operator's manual.
- Excessive towed load can cause loss of traction and loss of control on slopes. Reduce towed weight when operating on slopes.
- Never allow children or others in or on towed equipment.
- Use only approved hitches. Tow only with a machine that has a hitch designed for towing. Do not attach towed equipment except at the approved hitch point.
- Follow the manufacturer's recommendations for weight limits for towed equipment and towing on slopes. Use counterweights or wheel weights as described in the machine operator's manual.
- Do not turn sharply. Use additional caution when turning or operating under adverse surface conditions. Use care when reversing.
- Do not shift to neutral and coast downhill.

## Keep Riders Off Towed Attachment

Keep riders off of a towed attachment.

Riders on a towed attachment are subject to injury, such as being struck by objects and being thrown off the attachment during sudden starts, stops and turns.

Riders obstruct the operator's view, resulting in the attachment being used in an unsafe manner.

Keep riders off of hitch bracket.

## Avoid Injury From Drawbar

Before you disconnect an attachment from machine hitch plate:

- Unload attachment.
- Stop attachment on level ground.
- Stop machine engine.
- Lock machine park brake.
- Block attachment wheels.
- Make sure hands, feet or other body parts are not under drawbar.

## Practice Safe Maintenance

- Only qualified, trained adults should service this machine.
- Understand service procedure before doing work. Keep area clean and dry.
- Do not operate the engine in a confined space where dangerous carbon monoxide fumes can collect.
- Never lubricate, service or adjust the machine or attachment while it is moving. Keep safety devices in place and in working condition. Keep hardware tight.
- Keep hands, feet, clothing, jewelry, and long hair away from any moving parts, to prevent them from getting caught.
- Lower any attachment completely to the ground or to an existing attachment mechanical stop before servicing the attachment. Disengage all power and stop the engine. Lock park brake and remove the key. Let machine cool.
- Disconnect battery or remove spark plug wire (for gasoline engines) before making any repairs.
- Before servicing machine or attachment, carefully release pressure from any components with stored energy, such as hydraulic components and springs.
- Release hydraulic pressure by lowering attachment or cutting units to the ground or to a mechanical stop and move hydraulic control levers.
- Securely support any machine or attachment elements that must be raised for service work. Use jack stands or lock service latches to support components when needed.
- Never run engine unless park brake is locked.
- Keep all parts in good condition and properly installed. Fix damage immediately. Replace worn or broken parts. Replace all worn or damaged safety and instruction decals.
- Check all hardware at frequent intervals to be sure the equipment is in safe working condition.
- Do not modify machine or safety devices. Unauthorized modifications to the machine or attachment may impair its function and safety.



## Wear Appropriate Clothing

- Wear close fitting clothing and safety equipment appropriate for the job.
- Certain operating conditions may dictate that the operator and any passenger wear appropriate safety equipment while operating the vehicle. Be prepared for any existing and potential conditions before operating machine.
- Local safety or insurance regulations may require additional safety equipment such as eye protection or a hard hat.
- Always wear substantial footwear and long trousers. Do not operate the equipment when barefoot or wearing open sandals.
- Wear proper clothing and safety equipment while handling chemicals or using the sprayer. Refer to the MSDS for the chemicals being used to be sure the proper personal protection equipment is being used.



## Avoid High Pressure Fluids

- Hydraulic hoses and lines can fail due to physical damage, kinks, age, and exposure. Check hoses and lines regularly. Replace damaged hoses and lines.
- Hydraulic fluid connections can loosen due to physical damage and vibration. Check connections regularly. Tighten loose connections.

**<https://www.ebooklibonline.com>**

Hello dear friend!

Thank you very much for reading.

Enter the link into your browser.

The full manual is available for immediate download.

**<https://www.ebooklibonline.com>**

# ASSEMBLY

- Escaping fluid under pressure can penetrate the skin causing serious injury. Avoid the hazard by relieving pressure before disconnecting hydraulic or other lines. Tighten all connections before applying pressure.
- Search for leaks with a piece of cardboard. Protect hands and body from high pressure fluids.
- If an accident occurs, see a doctor immediately. Any fluid injected into the skin must be surgically removed within a few hours or gangrene may result. Doctors unfamiliar with this type of injury should reference a knowledgeable medical source. Such information is available from Deere & Company Medical Department in Moline, Illinois, U.S.A. Information may be obtained in the United States and Canada only by calling 1-800-822-8262.

## Dispose of Chemicals Properly

- Proper disposal of excess spray material is very important. If you have excess tank solution, it is best to dilute it with water and apply it to the area you previously treated.
- Never dump solution into a drain or near a lake or stream.
- Chemicals containers should be triple-rinsed, with the rinse water added to the sprayer tank. Do not burn empty chemical containers. Dispose of containers at recycling centers.

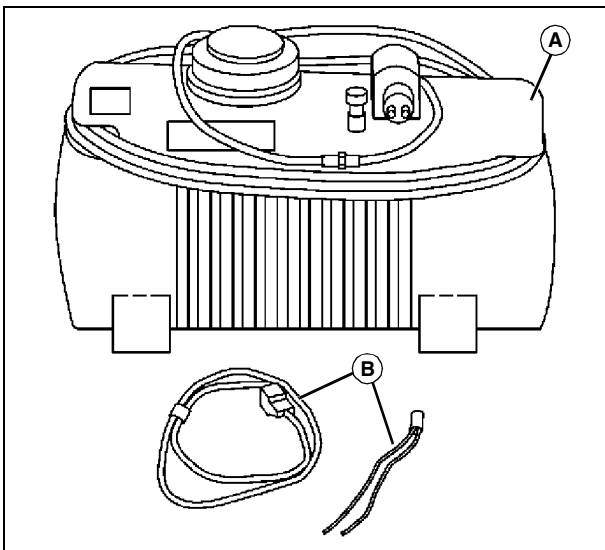
## Handling Waste Product and Chemicals

Waste products, such as, used oil, fuel, coolant, brake fluid, and batteries, can harm the environment and people:

- Do not use beverage containers for waste fluids - someone may drink from them.
- See your local Recycling Center or authorized dealer to learn how to recycle or get rid of waste products.
- A Material Safety Data Sheet (MSDS) provides specific details on chemical products: physical and health hazards, safety procedures, and emergency response techniques. The seller of the chemical products used with your machine is responsible for providing the MSDS for that product.

## Assembly

### Identify Parts (25 Gallon Portable Sprayer)



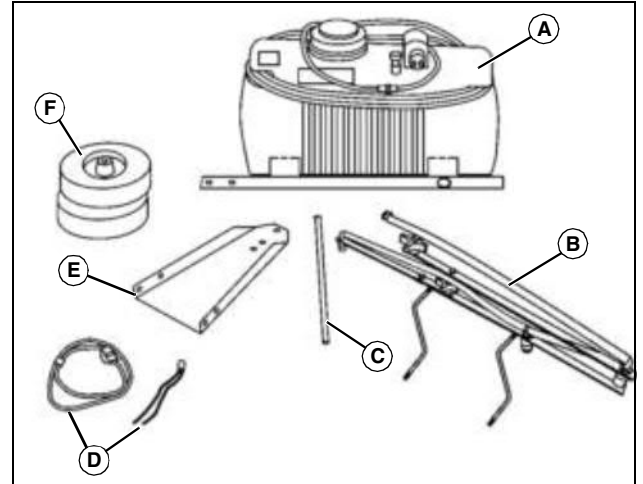
MX34800

**A- 25 Gallon Sprayer Base Unit (Tank with pump and hoses attached)**

**B- Wiring Harness**

**NOTE: No assembly is required for the 25 Gallon Portable Sprayer.**

### Identify Parts and Assemble (15 and 25 Gallon - Wheeled Sprayers)



MX38806a

**A- Sprayer Base Unit (Tank with pump and hoses attached)**

**B- Boom Assembly (25 gallon assembly shown)**

**C- Axle**

**D- Wiring Harness**

**E- Hitch Frame**

**F- (2) Wheels**

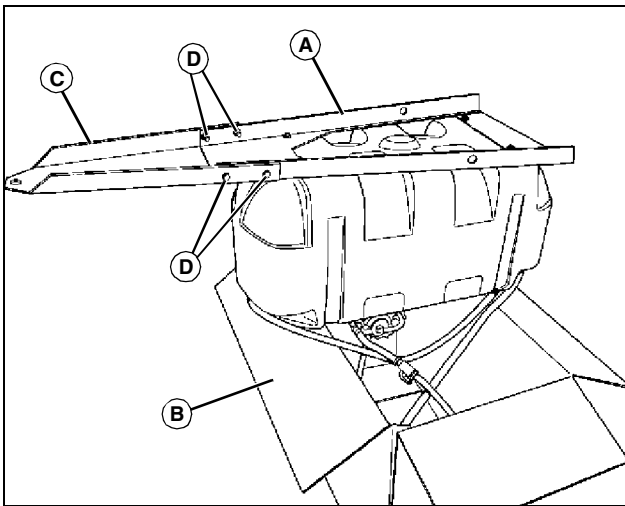
### Bag of Parts

Part Description	15 and 25 Gallon
Hitch Clevis	1
Support, Sprayer	2
Locking Collar	2
Hitch Pin, 1/2 x 2-1/2 in.	1
Spring Locking Clip	1
Flat Washer	2
Axle Spacer	2
Bolt, Flange, 5/16 x 3/4 in.	6
Nut, Flange, 5/16 in.	6
Nut, 3/8 in.	4
Lockwasher, 3/8 in.	2

### Attach Hitch Frame

1. Remove hardware bags and wiring harness from inside tank.

# ASSEMBLY



MX38807

2. Place tank and frame assembly, with tank frame (A) on top, onto top of shipping box (B) for installing hitch frame.

**NOTE: When installing hardware, always install with nuts to the inside.**

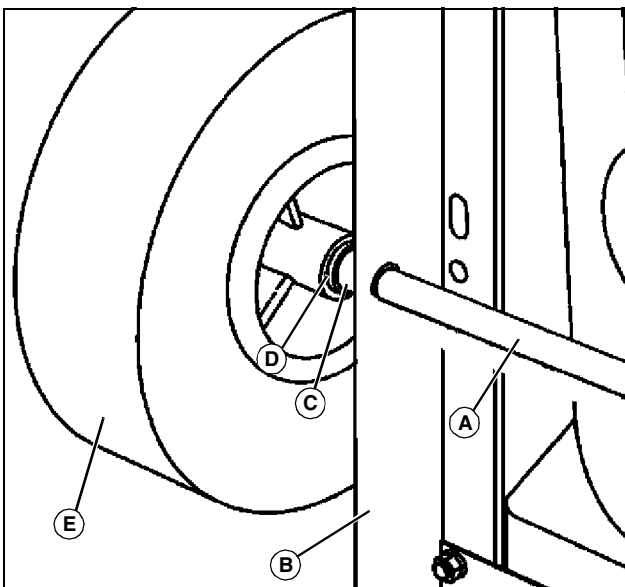
3. With tank frame (A) mounted to the inside of the hitch frame (C), align mounting holes on tank frame to mounting holes in hitch frame.

4. Install and tighten hardware (D):

- (4) 5/16 x 5/8 in. Flange Bolts
- (4) 5/16 in. Flange Nuts

## Install Wheels

**NOTE: Install wheels so tire valve stems face to the outside of the sprayer frame.**



MX38808

1. Install and center axle (A) into rear holes of tank frame (B).
2. Install axle spacer (C) and flat washer (D).
3. Install wheel (E), and then secure outside with locking collar.
4. Repeat for opposite wheel. Wheel hardware:

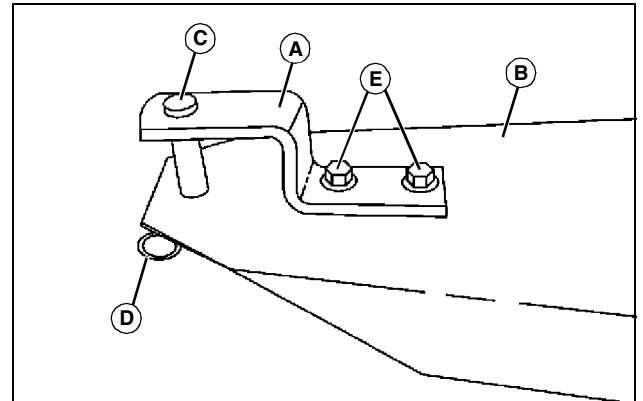
- (2) Axle Spacers (C)
- (2) Flat Washers (D)
- (2) Locking Collar

5. Tighten locking collars with a hex key wrench.

6. Lubricate wheel bearing grease fittings with recommended grease.

7. Set sprayer on wheels.

## Install Hitch Assembly



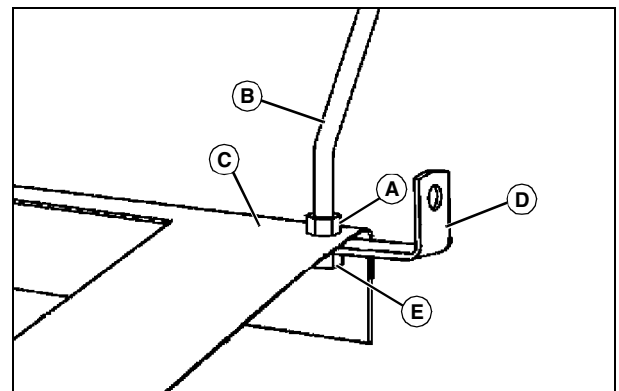
MX34616

1. Install hitch clevis (A) on top of hitch frame (B) with hitch pin (C) and spring locking clip (D).

2. Install and tighten hardware (E):

- (2) 5/16 x 5/8 in. Flange Bolts
- (2) 5/16 in. Flange Nuts

## Install Boom Assembly



MX38810

1. Install 3/8 in. nut (A) on boom support rod (B). Repeat for opposite side boom support rod.

**NOTE: Install support, (D) facing toward rear of assembly and as far rearward as possible, as shown.**

**Boom assembly should be installed with hose connection tee facing forward.**

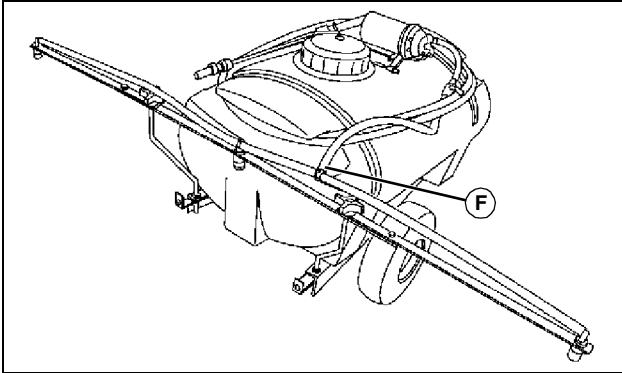
2. Install entire spray boom and support rods through rear holes in tank frame (C).

3. Install support (D), 3/8 in. lockwasher, and a second 3/8 in. nut (E). Repeat for opposite side. Boom support hardware:

- (4) 3/8 in. Nuts
- (2) 3/8 in. Lockwashers

# ASSEMBLY

4. Do not tighten boom hardware until entire boom is in place.

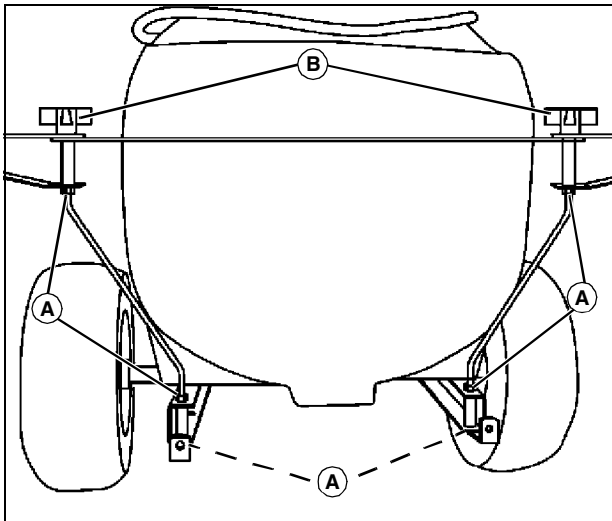


MX3881

Picture Note: 25 gallon shown.

5. Connect tank hose (F) onto tee on boom hose.

## Level Sprayer



MX34788

Picture Note: 45 gallon shown.

1. Level, straighten and center boom with back of sprayer.

2. Tighten hardware:

- (6) Nuts, 3/8 in. (A)
- (2) Locking Knobs (B)

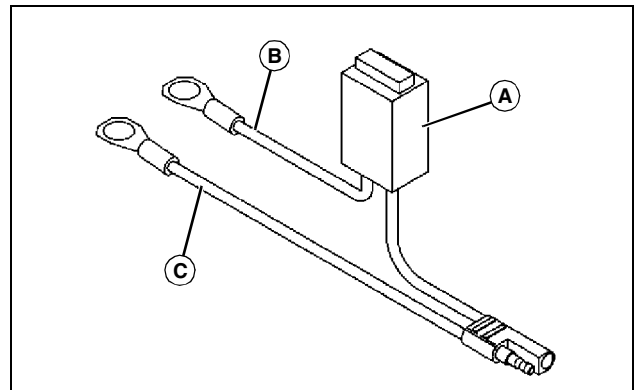
## Install Wiring Harness to Battery

**IMPORTANT: Avoid damage!** To help prevent electrical spark, install red wire to the positive (+) battery terminal first. Then install black wire to negative (-) battery terminal.

To prevent damage to wiring, make sure hood does not close on wires or connectors.

**NOTE:** Depending on the location of your battery, a wiring harness extension may be required. Part numbers are AM105666 (John Deere) or ST43485 (Superior Tech). See your John Deere dealer to order parts.

Tractors with a 12 volt receptacle requires a 12 volt plug adapter, part number ST43503 (Superior Tech). See your John Deere dealer to order parts.



MX34799

1. Fuse holder (A) should contain a 15 A / 32 V fuse. Make sure fuse filament is not broken.

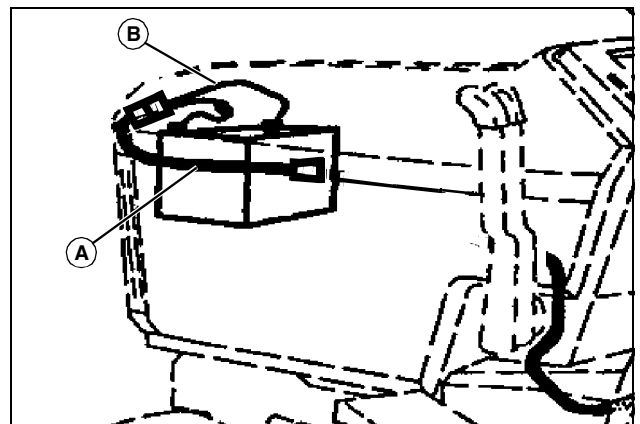
2. Open hood. If battery is mounted low and behind the grille, carefully unsnap top of grille to provide access to battery terminals.

3. Remove nut from positive (+) battery cable clamp. Install red lead (B) onto clamp bolt. Install and tighten nut completely.

4. Remove nut from negative (-) battery cable clamp. Install black lead (C) onto clamp bolt. Install and tighten nut completely.

## Install Wiring Harness Extension (For Machines With Upper Front-Mounted Battery)

**NOTE:** Wiring Harness Extension is required. See your John Deere dealer to order parts.



M94107, MIF

Connect wiring harness extension (A) to fused harness (B) at battery. Make sure the harness passes between the left side hood rods.



**Suggest:**

**If the above button click is invalid.**

**Please download this document**

**first, and then click the above link**

**to download the complete manual.**

**Thank you so much for reading**

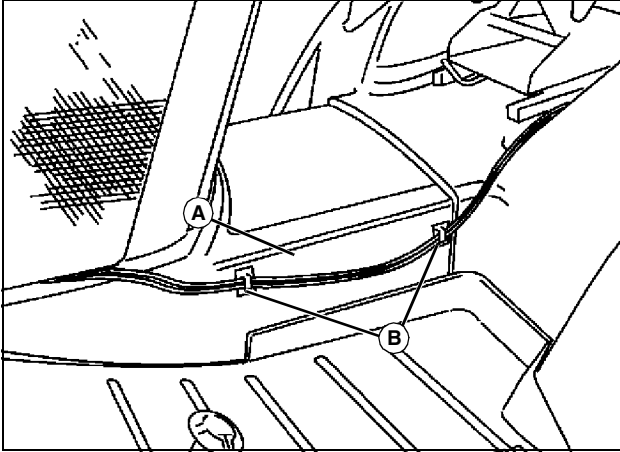
# ASSEMBLY

## Install Wiring Harness Extension (For Machines With Lower Front-Mounted Battery)

**NOTE:** Wiring Harness Extension is required. See your John Deere dealer to order parts.

1. Route wiring harness extension through front frame hole.
2. Connect extension to battery lead plug. Then snap front grille in place.

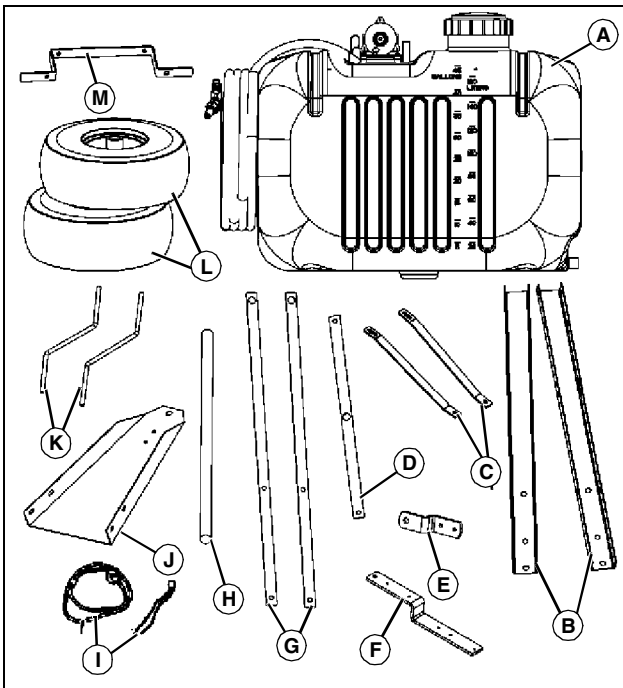
## Install Wire Clips



MX34789

1. Clean foot rest side panel (A) at left side of machine with mild detergent or isopropyl alcohol. Dry thoroughly.
2. Attach wire clips (B) to panel. Position the clips as shown so that sprayer main wiring harness will not interfere with deck height adjustment crank, if equipped.

## Identify Parts and Assemble (45 Gallon - Wheeled Sprayer)



MX42081

- A- 45 Gallon Sprayer Base Unit (Tank with pump and hoses attached)
- B- (2) Frame Rail
- C- (2) Boom Support
- D- Center Boom
- E- Hitch Clevis
- F- Drawbar Extension
- G- (2) Boom Extension
- H- Axle
- I - Wiring Harness
- J- Hitch Frame
- K- (2) Boom Support Rod
- L- (2) Wheel
- M- Bracket, Hose Tender

## Bag of Parts

Part Description	45 Gallon
Bolt, Flange, 5/16 x 5/8 in.	12
Bolt, Flange, 5/16 x 1 in.	5
Nut, Flange, 5/16 in.	15
Lockwasher, 5/16 in.	4
Axle U-Bolt, 5/16 in.	2
Nut, 3/8 in.	6
Locking Knob	2
Boom Spacer	4
Wire Clip	2
Hitch pin and spring locking pin	1
Spray Tip	3
Spray Tip Screen	3
Spray Tip Fitting Locknut	3
Spray Tip Fitting Cap Nut	3
Support	4
Locking Collar	6
Plastic Cover	2

**<https://www.ebooklibonline.com>**

Hello dear friend!

Thank you very much for reading.

Enter the link into your browser.

The full manual is available for immediate download.

**<https://www.ebooklibonline.com>**