

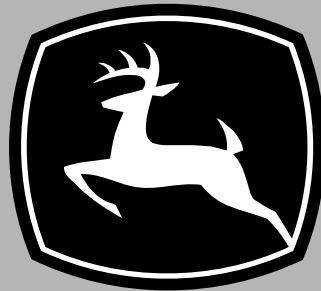
JOHN DEERE
WORLDWIDE COMMERCIAL & CONSUMER
EQUIPMENT DIVISION

Commercial Walk Behind Mower
7H17 and 7H19

SN (030001-), (020001-)

OMTCU21434 L8

OPERATOR'S MANUAL



JOHN DEERE

⚠ WARNING: The Engine Exhaust from this product contains chemicals known to the State of California to cause cancer, birth defects or other reproductive harm.

California Proposition 65 Warning

North American Version
Litho in U.S.A.

INTRODUCTION

Thank You for Purchasing a John Deere Product

We appreciate having you as a customer and wish you many years of safe and satisfied use of your machine.

Using Your Operator's Manual

This manual is an important part of your machine and should remain with the machine when you sell it.

Reading your operator's manual will help you and others avoid personal injury or damage to the machine. Information given in this manual will provide the operator with the safest and most effective use of the machine. Knowing how to operate this machine safely and correctly will allow you to train others who may operate this machine.

If you have an attachment, use the safety and operating information in the attachment operator's manual along with the machine operator's manual to operate the attachment safely and correctly.

This manual and safety signs on your machine may also be available in other languages (see your authorized dealer to order).

Sections in your operator's manual are placed in a specific order to help you understand all the safety messages and learn the controls so you can operate this machine safely. You can also use this manual to answer any specific operating or servicing questions. A convenient index located at the end of this book will help you to find needed information quickly.

The machine shown in this manual may differ slightly from your machine, but will be similar enough to help you understand our instructions.

RIGHT-HAND and LEFT-HAND sides are determined by facing in the direction the machine will travel when going forward. When you see a broken line (-----), the item referred to is hidden from view.

Before delivering this machine, your dealer performed a predelivery inspection to ensure best performance.

Special Messages

Your manual contains special messages to bring attention to potential safety concerns, machine damage as well as helpful operating and servicing information. Please read all the information carefully to avoid injury and machine damage.



CAUTION: Avoid injury! This symbol and text highlight potential hazards or death to the operator or bystanders that may occur if the hazards or procedures are ignored.

IMPORTANT: Avoid damage! This text is used to tell the operator of actions or conditions that might result in damage to the machine.

NOTE: General information is given throughout the manual that may help the operator in the operation or service of the machine.

Attachments for Your Machine

There's a John Deere attachment or kit to make your new machine perform more tasks or be more versatile, whether your machine is a lawn tractor or compact utility tractor or a utility vehicle.

You can check out the entire line of attachments for your machine at JohnDeere.com or ask your John Deere dealer. From aerators to electric lift kits to tillers, there's a John Deere attachment or kit to fill every need.

PRODUCT IDENTIFICATION

Record Identification Numbers

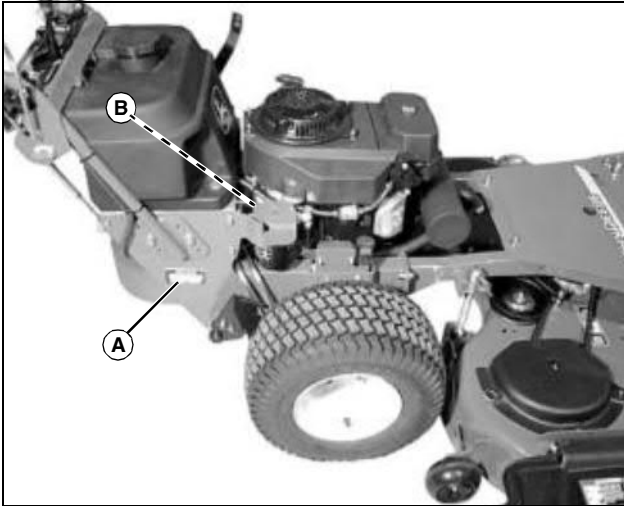
7H17 PIN (030001-)

7H19 PIN (020001-)

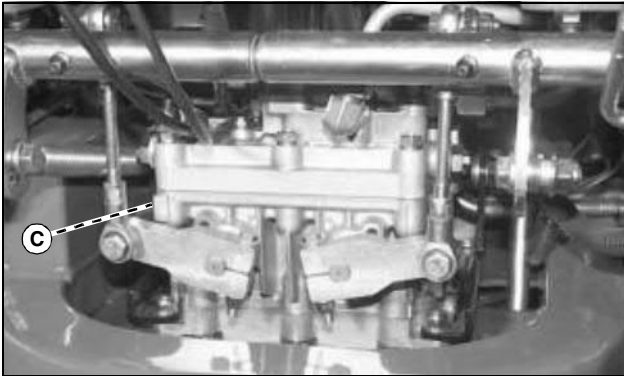
If you need to contact an Authorized Service Center for information on servicing, always provide the product model and serial number.

You will need to locate the model and serial number for the machine and for the engine of your machine and record the information in the spaces provided below.

HYDRAULIC PUMP NUMBER (C):



MX31726



MX32170

DATE OF PURCHASE:

DEALER NAME:

DEALER PHONE:

PRODUCT IDENTIFICATION NUMBER (A):

ENGINE SERIAL NUMBER (B):

<https://www.ebooklibonline.com>

Hello dear friend!

Thank you very much for reading.

Enter the link into your browser.

The full manual is available for immediate download.

<https://www.ebooklibonline.com>

TABLE OF CONTENTS

Safety Labels	1
Safety	4
Operating	9
Replacement Parts	19
Service Intervals	20
Service Lubrication	21
Service Engine	22
Service Transmission	27
Service Brakes	31
Service Mower	32
Service Electrical	36
Service Miscellaneous	38
Troubleshooting	41
Storage	44
Specifications	45
Warranty	48
Index	51

All information, illustrations and specifications in this manual are based on the latest information at the time of publication. The right is reserved to make changes at any time without notice.

COPYRIGHT© 2008
Deere & Co.
John Deere Worldwide Commercial and
Consumer Equipment Division
All rights reserved
Previous Editions
COPYRIGHT© 2005

OMTCU21434 L8 - English

SAFETY LABELS

Understanding The Machine Safety Labels



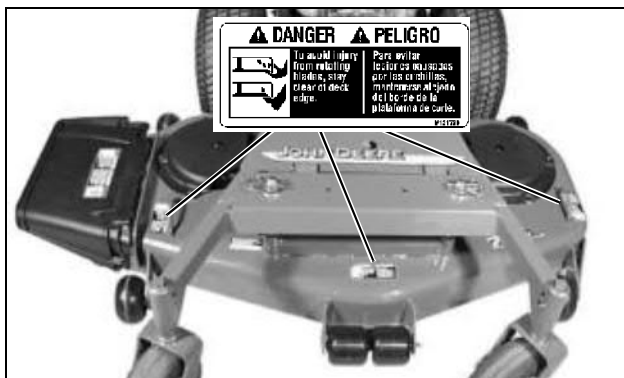
Safety-Alert Symbol

The machine safety labels shown in this section are placed in important areas on your machine to draw attention to potential safety hazards.

On your machine safety labels, the words DANGER, WARNING, and CAUTION are used with this safety-alert symbol. DANGER identifies the most serious hazards.

The operator's manual also explains any potential safety hazards whenever necessary in special safety messages that are identified with the word, CAUTION, and the safety-alert symbol.

DANGER



MX31724 M131739

To avoid injury from rotating blades, stay clear of deck edge.

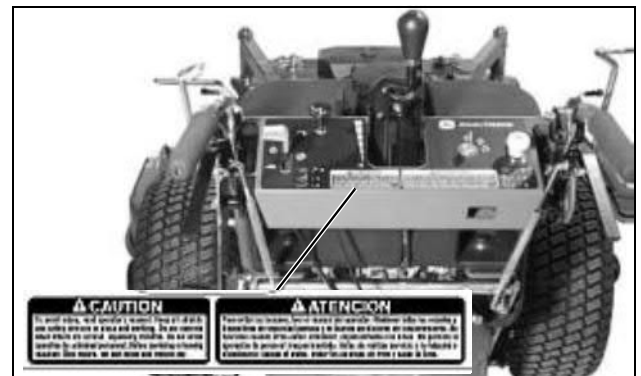
DANGER



MX31725 M131748

To avoid injury from rotating blades and thrown objects, stay clear of deck edge and keep others away. Do not mow without discharge chute or entire grass catcher in place.

CAUTION

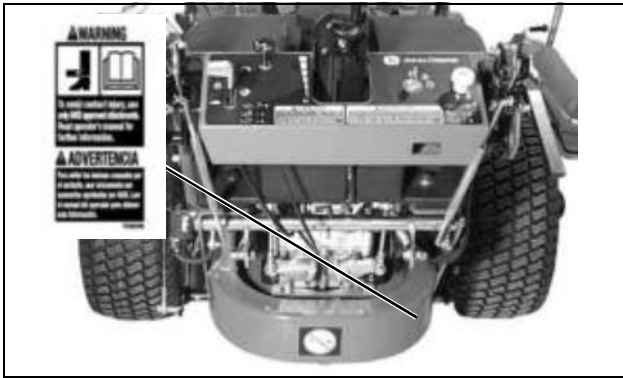


MX31722 TCU18153

To avoid injury, read operator's manual. Keep all shields and safety devices in place and working. Do not operate when others are around, especially children. Do not allow operation by untrained personnel. Before servicing or leaving machine: Stop engine, set park brake and remove key.

SAFETY LABELS

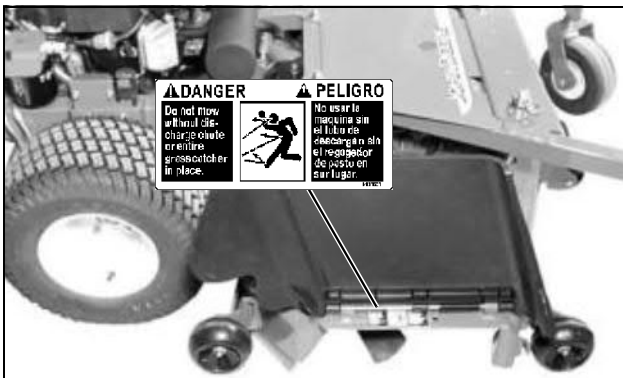
WARNING



MX31722 TCU20768

To avoid contact injury, use only ANSI approved attachments. Read operator's manual for further information.

DANGER



MX31723 M137637

Do not mow without discharge chute or entire grass catcher in place.

DANGER



MX31725 M131748

To avoid injury from rotating blades and thrown objects, stay clear of deck edge and keep others away. Do not mow without discharge chute or entire grass catcher in place.

WARNING



MX31725 TCU51051

- To avoid injury from rotating belts, keep all shields and guards in place.

Emission Control System Certification Label

NOTE: Tampering with emission controls and components by unauthorized personnel may result in severe fines or penalties. Emission controls and components can only be adjusted by EPA and/or CARB authorized service centers. Contact your John Deere Commercial and Consumer Equipment Retailer concerning emission controls and component questions.

The presence of an emissions label signifies that the engine has been certified with the United States Environmental Protection Agency (EPA) and/or California Air Resources Board (CARB).

The emissions warranty applies only to those engines marketed by John Deere that have been certified by the EPA and/or CARB; and used in the United States and Canada in off-road mobile equipment.

Emission Compliance Period

If your engine has the emission compliance category listed on the emission control system certification or air index label, this indicates the number of operating hours for which the engine has been certified to meet EPA and/or CARB emission requirements. The following table provides the engine compliance period in hours associated with the category found on the certification label.

SAFETY LABELS

Agency	Category	Hours
EPA	C	250
EPA	B	500
EPA	A	1000
CARB	Moderate	125
CARB	Intermediate	250
CARB	Extended	500

Canadian Electromagnetic Compatibility (EMC) Compliance

This spark ignition system complies with Canadian ICES-002.

Certification

Your product has been tested and evaluated by the manufacturer and conforms with American National Standard B-71.4, "Safety Specifications" for commercial turf care equipment.

SAFETY

Operator Training Required

- Read the operator's manual and other training material. If the operator or mechanic cannot read English, it is the owner's responsibility to explain this material to them. This publication is available in other languages.
- Become familiar with the safe operation of the equipment, operator controls, and safety signs.
- All operators and mechanics should be trained. The owner of the machine is responsible for training the users.
- Never let children or untrained people operate or service the equipment. Local regulations may restrict the age of the operator.
- The owner/user can prevent and is responsible for accidents or injuries occurring to themselves, other people, or property.
- Operate the machine in an open, unobstructed area under the direction of an experienced operator.

Preparation

- Evaluate the terrain to determine what accessories and attachments are needed to properly and safely perform the job. Only use accessories and attachments approved by the manufacturer.
- Wear appropriate clothing including hard hat, safety glasses and hearing protection. Long hair, loose clothing or jewelry may get tangled in moving parts.
- Inspect the area where the equipment is to be used and remove all objects such as rocks, toys and wire which can be thrown by the machine.
- Use extra care when handling gasoline and other fuels. They are flammable and vapors are explosive.
 - a. Use only an approved container.
 - b. Never remove gas cap or add fuel when engine is running. Do not smoke.
 - c. Never refuel or drain the machine indoors.
- Check that the operator's presence controls, safety switches and shields are attached and functioning properly. Do not operate unless they are functioning properly.

Operating Safely

- Never run an engine in an enclosed area where dangerous carbon monoxide fumes can collect.
- Only operate in good light, keeping away from holes and hidden hazards.
- Be sure all drives are in neutral and parking brake is

engaged before starting engine. Only start engine from the operator's position.

- Be sure of your footing while using pedestrian-controlled equipment, especially when backing up. Walk, don't run. Never operate on wet grass. Reduced footing could cause slipping.
- Slow down and use extra care on hillsides. Be sure to travel in the recommended direction on hillsides. For this machine, drive across hillsides, not up and down. Turf conditions can affect the machine's stability. Use caution while operating near drop-offs.
- Slow down and use caution when making turns and when changing directions on slopes.
- Never raise deck with the blades running.
- Never operate with guards not securely in place. Be sure all interlocks are attached, adjusted properly, and functioning properly.
- Never operate with the discharge deflector raised, removed or altered, unless using a grasscatcher. Do not operate mower without discharge chute or entire grasscatcher in place.
- Do not change the engine governor setting or overspeed the engine. Operating the engine at excessive speed can increase the hazard of personal injury.
- Stop on level ground, lower implements, disengage drives, engage parking brake, and shut off engine before leaving the operator's position for any reason including emptying the grasscatchers or unclogging the chute.
- Stop equipment and inspect blades after striking objects or if an abnormal vibration occurs. Make necessary repairs before resuming operations.
- Keep hands and feet away from the cutting units.
- Look behind and down before backing up to be sure of a clear path.
- Never carry passengers and keep pets and bystanders away.
- Slow down and use caution when making turns and crossing roads and sidewalks. Stop blades if not mowing. Watch for traffic when operating near or crossing roadways.
- Be aware of the mower discharge direction and do not point it at anyone.
- Do not operate the machine while under the influence of alcohol or drugs.
- Use care when loading or unloading the machine into or off of a trailer or truck.
- Use care when approaching blind corners, shrubs, trees, or other objects that may obscure vision.
- Inspect machine before you operate. Be sure hardware is

SAFETY

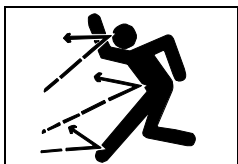
tight. Repair or replace damaged, badly worn, or missing parts. Be sure guards and shields are in good condition and fastened in place. Make any necessary adjustments before you operate.

- Before using, always visually inspect to see that the blades, blade bolts and the mower assembly are not worn and damaged. Replace worn and damaged blades and bolts in sets to preserve balance.
- Keep safety labels visible when installing accessories and attachments.
- Do not wear radio or music headphones. Safe service and operation require your full attention.
- When machine is left unattended, stored, or parked, lower the mower deck unless a positive mechanical lock is used.
- Be sure all drives are in neutral and parking brake is locked before starting engine. Stand as far away from the discharge chute as possible with feet well away from the underside of the deck to start machine.
- Do not hang or secure any item to the control console. The operator's station should always remain unobstructed.
- Do not pull mower backwards while the blades are rotating. Use the reverse gear to move the machine in reverse.

Using a Spark Arrestor

The engine in this machine is not equipped with a spark arrestor muffler. It is a violation of California Public Resource Code Section 4442 to use or operate this engine on or near any forest-covered, brush-covered or grass-covered land unless the exhaust system is equipped with a spark arrestor meeting any applicable local or state laws. Other states or federal areas may have similar laws.

A spark arrestor for your machine may be available from your authorized dealer. An installed spark arrestor must be maintained in good working order by the operator.



Checking Mowing Area

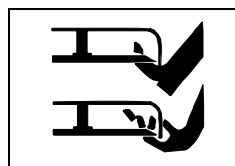
- Clear mowing area of objects that might be thrown. Keep people and pets out of mowing area.
- Low-hanging branches and similar obstacles can injure the operator or interfere with mowing operation. Before mowing, identify potential obstacles such as low-hanging branches, and trim or remove those obstacles.
- Study mowing area. Set up a safe mowing pattern. Do not mow where traction or stability is doubtful.

Parking Safely

1. Stop machine on a level surface, not on a slope.
2. Disengage mower blades.
3. Lock the park brake.
4. Stop the engine.
5. Remove the key.
6. Wait for engine and all moving parts to stop before you leave the operator's station.
7. Close fuel shut-off valve, if your machine is equipped.
8. Remove the spark plug wire (for gasoline engines) before servicing the machine.

Operating Safely on Slopes

- Slopes are a major factor related to slip and fall accidents which can result in severe injury. Operation on all slopes requires extra caution. If you feel uneasy on a slope, do not mow it.
- Mow across the face of slope, never up and down. Use extreme caution when changing direction on slopes.
- Keep all movement on slopes slow and gradual. Do not make sudden changes in speed or direction.
- Watch for holes, ruts, bumps, rocks or other hidden objects. Uneven terrain could cause a slip and fall accident. Tall grass can hide obstacles.
- Do not mow on wet grass or excessively steep slopes. Poor footing could cause a slip and fall accident.
- Do not mow near drop-offs, ditches, embankments, as well as ponds and other bodies of water. The operator could lose footing or balance. The machine could suddenly turn over if a wheel is over the edge of a cliff or ditch, or if an edge caves in.
- Follow the manufacturer's recommendations for counterweights for added stability when operating on slopes. Remove weights when not required.
- Use extra care with grasscatchers. These can change the stability of the machine. Do not use grasscatcher on steep slopes.



Rotating Blades are Dangerous

HELP PREVENT SERIOUS OR FATAL ACCIDENTS:

- Rotating blades can cut off arms and legs, and throw objects. Failure to observe safety

SAFETY

instructions could result in serious injury or death.

- Keep hands, feet and clothing away from mower deck when engine is running.
- Be alert at all times, drive forward carefully. People, especially children can move quickly into the mowing area before you know it.
- Do not mow in reverse.
- Shut off blades when you are not mowing.
- Park machine safely before leaving the operator station for any reason including emptying the catchers or unplugging the chute.



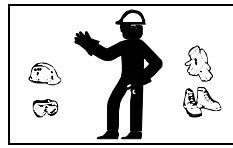
Rotating Blades are Dangerous - Protect Children and Prevent Accidents

Protect Children:

- Tragic accidents can occur if the operator is not alert to the presence of children. Children are often attracted to lawn-mowing machines and mowing activity. Stay alert to the presence of children. Never assume that children will remain where you last saw them.
- Keep children indoors, out of the mowing area, and in the watchful eye of a responsible adult, other than the operator, when a mower is being operated.
- Be alert and turn mower off if a child enters the work area. They don't understand the dangers of rotating blades or the fact that the operator is unaware of their presence.
- Never allow a child or an untrained person operate the machine.
- Use extra care when approaching blind corners, shrubs, trees, or other objects that may block your view of a child.

Checking Wheel Hardware

- A serious accident could occur causing serious injury if wheel hardware is not tight.
- Check wheel hardware tightness often during the first 100 hours of operation.
- Wheel hardware must be tightened to specified torque using the proper procedure anytime it is loosened.



Wear Appropriate Clothing

- Always wear safety goggles, or safety glasses with side shields, and a hard hat when operating the machine.
- Wear close fitting clothing and safety equipment appropriate for the job.
- While mowing, always wear substantial footwear and long trousers. Do not operate the equipment when barefoot or wearing open sandals.
- Wear a suitable protective device such as earplugs. Loud noise can cause impairment or loss of hearing.



Maintenance and Storage

- Never operate machine in a closed area where dangerous carbon monoxide fumes can collect.
- Disengage drives, lower implement, lock parking brake, stop engine and remove key or disconnect spark plug (for gas engines). Wait for all movement to stop before adjusting, cleaning or repairing.
- Clean grass and debris from cutting units, drives, mufflers, and engine to help prevent fires. Clean up oil or fuel spillage.
- Let engine cool before storing and do not store near flame.
- Shut off fuel while storing or transporting. Do not store fuel near flames or drain indoors.
- Park machine on level ground. Never allow untrained personnel to service machine. Understand service procedure before doing work.
- Use jack stands or lock service latches to support components when required. Securely support any machine elements that must be raised for service work.
- Before servicing machine or attachment, carefully release pressure from any components with stored energy, such as hydraulic components or springs.
- Release hydraulic pressure by lowering attachment or cutting units to the ground or to a mechanical stop and move hydraulic control levers back and forth.
- Disconnect battery or remove spark plug (for gas engines) before making any repairs. Disconnect the negative terminal first and the positive last. Reconnect positive first and negative last.
- Use care when checking blades. Wrap the blades or wear gloves, and use caution when servicing them. Only replace blades. Never straighten or weld them.

SAFETY

- Keep hands, feet, clothing, jewelry and long hair away from moving parts. If possible, do not make adjustments with the engine running.
- Charge batteries in an open well ventilated area, away from spark and flames. Unplug charger before connecting or disconnecting from battery. Wear protective clothing and use insulated tools.
- Keep all parts in good working condition and all hardware tightened. Replace all worn or damaged decals.
- Check grasscatcher components and the discharge guard frequently and replace with manufacturer's recommended parts, when necessary. Grasscatcher components are subject to wear, damage, and deterioration which could expose moving parts or allow objects to be thrown.
- Keep all nuts and bolts tight, especially blade attachment bolts, to be sure the equipment is in safe working condition.
- Check brake operation frequently. Adjust and service as required.
- On multi-bladed machines, take care as rotating one blade can cause other blades to rotate.

Avoid High Pressure Fluids

- Hydraulic hoses and lines can fail due to physical damage, kinks, age, and exposure. Check hoses and lines regularly. Replace damaged hoses and lines.
- Hydraulic fluid connections can loosen due to physical damage and vibration. Check connections regularly. Tighten loose connections.
- Escaping fluid under pressure can penetrate the skin causing serious injury. Avoid the hazard by relieving pressure before disconnecting hydraulic or other lines. Tighten all connections before applying pressure.
- Search for leaks with a piece of cardboard. Protect hands and body from high pressure fluids.
- If an accident occurs, see a doctor immediately. Any fluid injected into the skin must be surgically removed within a few hours or gangrene may result. Doctors unfamiliar with this type of injury should reference a knowledgeable medical source. Such information is available from Deere & Company Medical Department in Moline, Illinois, U.S.A. Information may be obtained in the United States and Canada only by calling 1-800-822-8262.

Prevent Fires

- Remove grass and debris from engine compartment and muffler area, before and after operating machine, especially after mowing or mulching in dry conditions.

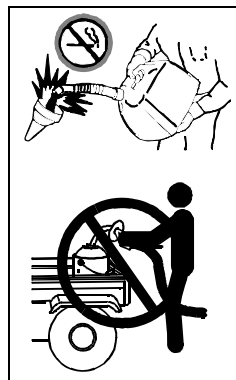
- Empty the grasscatcher completely before storing.
- Always shut off fuel when storing or transporting machine, if the machine has a fuel shutoff.
- Do not store machine near an open flame or source of ignition, such as a water heater or furnace.
- Check fuel lines, tank, cap, and fittings frequently for cracks or leaks. Replace if necessary.



Tire Safety

Explosive separation of a tire and rim parts can cause serious injury or death:

- Do not attempt to mount a tire without the proper equipment and experience to perform the job.
- Always maintain the correct tire pressure. Do not inflate the tires above the recommended pressure. Never weld or heat a wheel and tire assembly. The heat can cause an increase in air pressure resulting in a tire explosion. Welding can structurally weaken or deform the wheel.
- When inflating tires, use a clip-on chuck and extension hose long enough to allow you to stand to one side and NOT in front of or over the tire assembly.
- Check tires for low pressure, cuts, bubbles, damaged rims or missing lug bolts and nuts.



Handling Fuel Safely

To avoid personal injury or property damage, use extreme care in handling fuel. Fuel is extremely flammable and fuel vapors are explosive:

- Extinguish all cigarettes, cigars, pipes, and other sources of ignition.
- Use only an approved fuel container. Use only non-metal, portable fuel containers approved by the Underwriter's Laboratory (U.L.) or the American Society for Testing & Materials (ASTM). If using a funnel, make sure it is plastic and has no screen or filter.
- Never remove the fuel tank cap or add fuel with the engine running. Allow engine to cool before refueling.
- Never add fuel to or drain fuel from the machine indoors. Move machine outdoors and provide adequate ventilation.
- Clean up spilled fuel immediately. If fuel is spilled on clothing, change clothing immediately. If fuel is spilled near machine, do not attempt to start the engine but move the

SAFETY

machine away from the area of spillage. Avoid creating any source of ignition until fuel vapors have dissipated.

- Never store the machine or fuel container where there is an open flame, spark, or pilot light such as on a water heater or other appliance.
- Prevent fire and explosion caused by static electric discharge. Static electric discharge can ignite fuel vapors in an ungrounded fuel container.
- Never fill containers inside a vehicle or on a truck or trailer bed with a plastic liner. Always place containers on the ground away from your vehicle before fueling.
- Remove fuel-powered equipment from the truck or trailer and refuel it on the ground. If this is not possible, then refuel such equipment with a portable container, rather than from a fuel dispenser nozzle.
- Keep the nozzle in contact with the rim of the fuel tank or container opening at all times until the fueling is complete. Do not use a nozzle lock-open device.
- Never overfill fuel tank. Replace fuel tank cap and tighten securely.
- Replace all fuel container caps securely after use.
- For gasoline engines, do not use gas with methanol. Methanol is harmful to your health and to the environment.

Handling Waste Product and Chemicals

Waste products, such as, used oil, fuel, coolant, brake fluid, and batteries, can harm the environment and people:

- Do not use beverage containers for waste fluids - someone may drink from them.
- See your local Recycling Center or authorized dealer to learn how to recycle or get rid of waste products.
- A Material Safety Data Sheet (MSDS) provides specific details on chemical products: physical and health hazards, safety procedures, and emergency response techniques. The seller of the chemical products used with your machine is responsible for providing the MSDS for that product.

OPERATING

Daily Operating Checklist

- Test safety systems.
- Check tire pressure.
- Check fuel level.
- Check engine oil level.
- Remove grass and debris from air intake screen, engine cooling fins, hydraulic pumps, engine compartment and muffler area.
- Clean air intake screen.
- Check area below machine for leaks.
- Check all necessary guards and shields are in place.
- Check mower deck level, cutting height and blades.
- Check mower and drive belts.
- Check steering controls and park brake linkage for damage.

Avoid Damage to Plastic and Painted Surfaces

- Do not wipe plastic parts unless rinsed first.
- Insect repellent spray may damage plastic and painted surfaces. Do not spray insect repellent near machine.
- Be careful not to spill fuel on machine. Fuel may damage surface. Wipe up spilled fuel immediately.

Recommended Accessories

Weight Kits

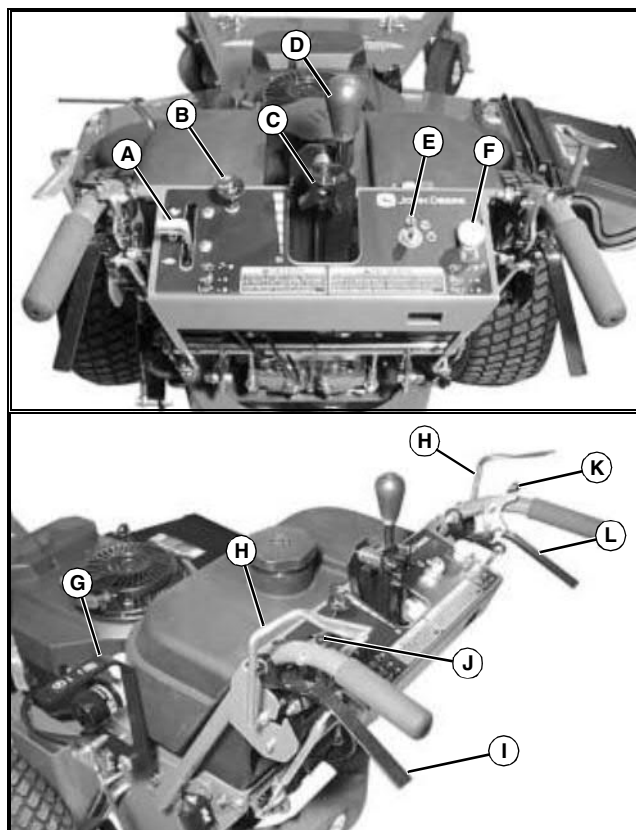
- Front weights are available for use on the Commercial Walk Behind Mower in hilly conditions. Use of weights will improve stability on slopes.

- 7H19 - (1) front weight
- 7H17 - (2) front weights

- Rear weights are available for both the 7H19 and 7H17 when using attachments such as baggers.

See your John Deere Dealer for more information.

Operator Station Controls

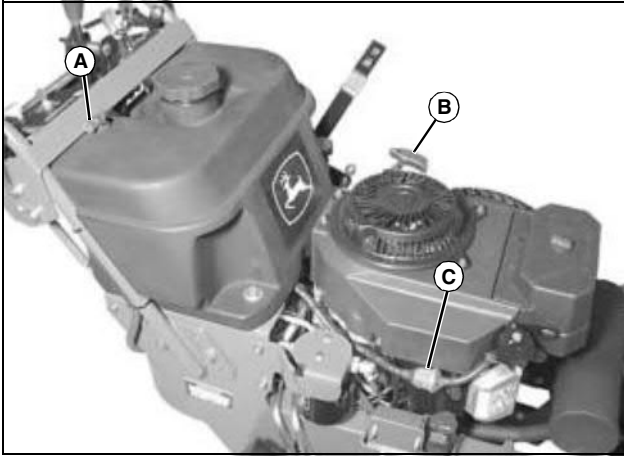


MX31727, MX31755

- A - Throttle Lever**
- B - Choke**
- C - Tracking Adjustment Knob**
- D - Speed Control Lever**
- E - Key Switch**
- F - PTO Switch Knob**
- G - Park Brake Lock Lever**
- H - Operator Presence Bail**
- I - LH Steering Control Lever**
- J - LH Neutral Lock**
- K - RH Neutral Lock**
- L - RH Steering Control Lever**

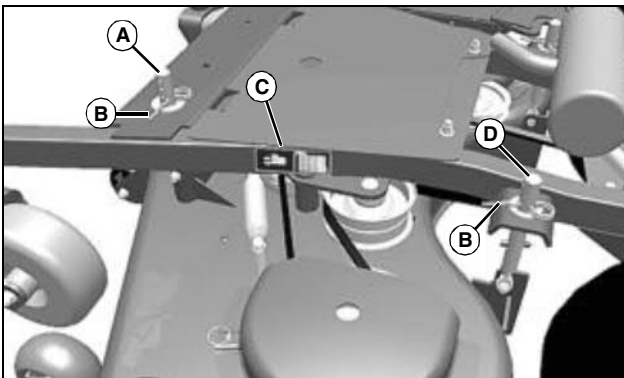
OPERATING

Engine Controls



- A - Fuel Shutoff Valve**
- B - Starter Handle**
- C - Fuel Filter**

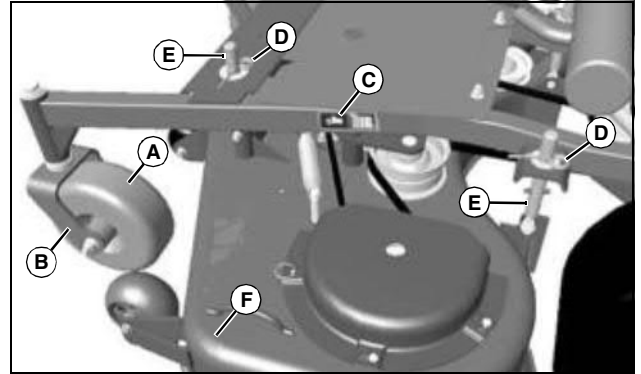
Mower Deck Height Controls



Picture Note: Left side shown.

- A - Front Deck Suspension Pin**
- B - Height Adjustment Locking Pin**
- C - Cutting Height Adjustment Label**
- D - Rear Deck Suspension Pin**

Adjusting Mower Deck Cutting Height



The mower deck height adjustment consists of seven different cutting heights. The seven cutting heights range from 38-114mm (1-1/2 - 4-1/2 in.) when front castor wheel (A) is located in lower mounting hole in the yoke (B), as shown.

The cutting height label (C) indicates the proper hole placement.

To change mower deck cutting height:

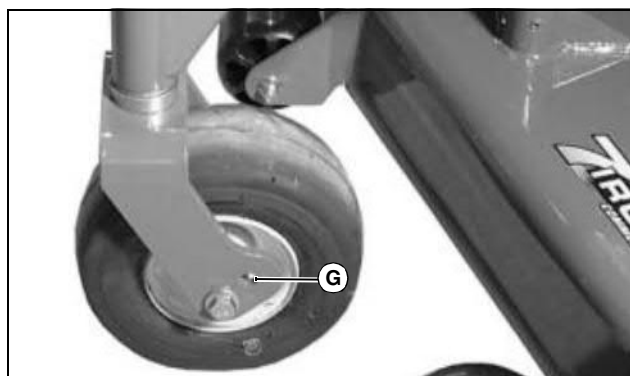
CAUTION: Avoid injury! Rotating parts can catch fingers, loose clothing, or long hair. Wait for engine and all moving parts to stop before leaving operator's station to adjust or service machine.

NOTE: To maintain a level mower deck, both sides, front, and rear of the deck must be adjusted equally.

1. Park machine safely. (See Parking Safely in the SAFETY section.)
2. Pull out height adjustment locking pins (D) from both suspension pins (E).
3. Lift or lower mower deck using handle (F) to the desired mower deck height as shown on the decal. A handle is located on each side of the mower deck.
4. Replace locking pins into appropriate holes in deck suspension pins.
5. Repeat procedure for other side of deck.

OPERATING

To Change Caster Wheel Height:



MX31990

To obtain a cutting height adjustment of less than 38mm (1-1/2 in.), it is necessary to put the caster wheel in the higher hole position (G). Moving the caster wheel to the higher hole position will lower the front of the deck by 13mm (1/2 in.) and allow a cutting height adjustment range of 25.4 to 101.6mm (1 to 4 in.).

To obtain a 6.5mm (1/4 in.) cutting height adjustment, 6.5mm (1/4 in.) thick washers were provided with the machine. The washers must be added to all four deck suspension pins to insure proper level on the mower deck.

Adjusting Mower Deck Anti-Scalp Wheels

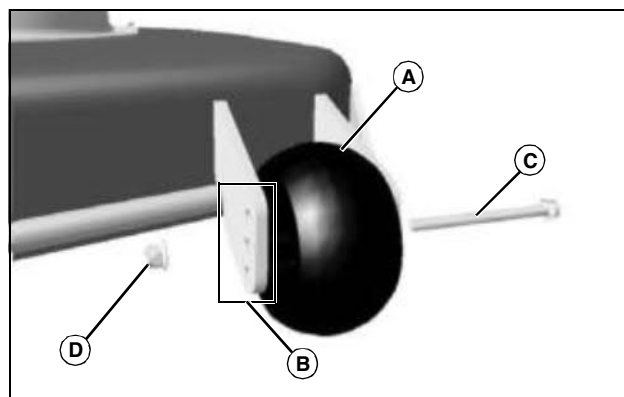


CAUTION: Avoid injury! Rotating parts can catch fingers, loose clothing, or long hair. Wait for engine and all moving parts to stop before leaving operator's station to adjust or service machine.

NOTE: The flattest cut can be achieved by having all anti-scalp wheels adjusted off the ground. Check anti-scalp wheel adjustments each time the mower deck cutting height is changed.

It is recommended that all anti-scalp wheels be kept off the ground to minimize scuffing.

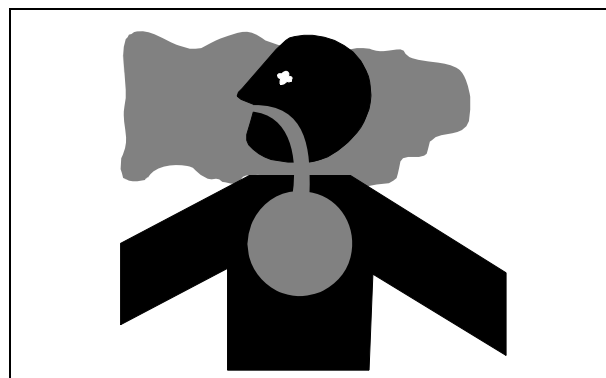
1. Inflate tires to correct pressure.
2. Adjust mower deck to desired cutting height.



MX22425

3. Adjust anti-scalp wheel (A) to one of three positions (B).
 - Remove cap screw (C) and nut (D).
 - Adjust wheel up or down so it is approximately 6–13 mm (1/4–1/2 in.) above mowing surface.
4. Install wheel with attaching hardware.
5. Adjust all wheels to the same height.

Testing Safety Systems



CAUTION: Avoid injury! Engine exhaust fumes contain carbon monoxide and can cause serious illness or death.

Move the machine to an outside area before running the engine.

Do not run an engine in an enclosed area without adequate ventilation.

- Connect a pipe extension to the engine exhaust pipe to direct the exhaust fumes out of the area.
- Allow fresh outside air into the work area to clear the exhaust fumes out.

OPERATING

The safety systems installed on your machine should be checked before each machine use. Be sure you have read the machine operator manual and are completely familiar with the operation of the machine before performing these safety system checks.

Use the following checkout procedures to check for normal operation of machine.

If there is a malfunction during one of these procedures, do not operate machine. **See your authorized dealer for service.**

Perform these tests in a clear open area. Keep bystanders away.

Testing PTO Switch

1. Start engine.
2. Release operator presence levers.
3. Pull PTO switch knob up to engage PTO.

Result: The engine must stop.

Testing Park Brake Switch

1. Start engine.
2. Lock park brake.
3. Engage an operator presence lever.
4. Push speed control lever forward out of the neutral position.

Result: The engine must stop.

Testing Neutral Switch (Start)

1. Lock park brake.
2. Push PTO switch knob down to disengage.
3. Push speed control lever forward, out of the neutral position.
4. Pull starter handle to try and start engine.

Result: The engine must not start.

Testing Neutral Switch (Run)

1. Start engine.
2. Push PTO switch knob down to disengage.
3. Release operator presence levers.
4. Push speed control lever forward, out of the neutral

position.

Result: The engine must stop.

Testing Operator Presence Switches

1. Start engine.
2. Push throttle to the 1/2 position.
3. Engage an operator presence lever.
4. Pull PTO switch knob up to engage PTO.
5. Release operator presence lever.

Result: The engine must stop when an operator presence lever is not engaged with the PTO engaged.

Repeat procedure using other operator presence lever.

Testing Park Brake

1. Inflate tires to correct pressures.
2. Stop machine on a 17° slope (30% grade). Stop engine and lock park brake.

Result: Park brake must hold the machine stationary. Machine should move no more than 61 cm (24 in.) in one hour. If machine moves more than that, brake needs to be adjusted. (See Adjusting Park Brake).

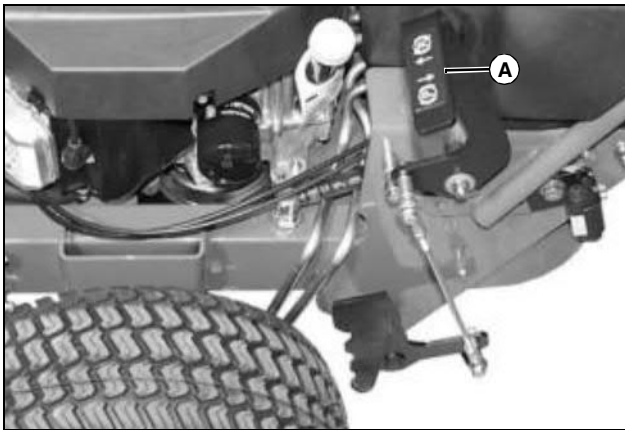
Using Park Brake

NOTE: *With the engine running, the park brake must be unlocked before moving the speed control lever forward from the neutral position. The park brake must also be unlocked before traveling in reverse.*

Locking Park Brake

1. Move speed control lever to the neutral position.

OPERATING



MX31984

Picture Note: Park brake lever shown in unlocked position.

2. Pull park brake hand lever (A) all the way to the rear.

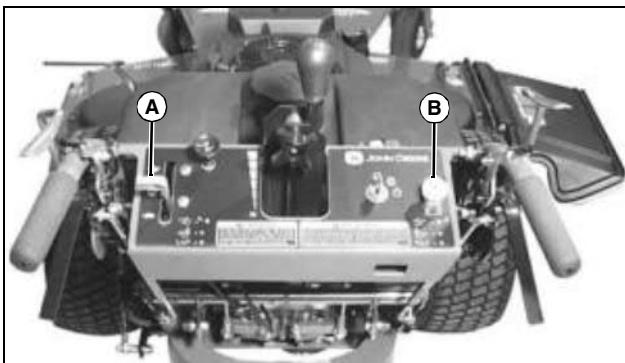
Unlocking Park Brake

- Lift the park brake hand lever (A) and move it fully forward to release.

Using PTO

NOTE: Prior to engaging the PTO, an operator presence lever must be engaged.

Engage PTO:



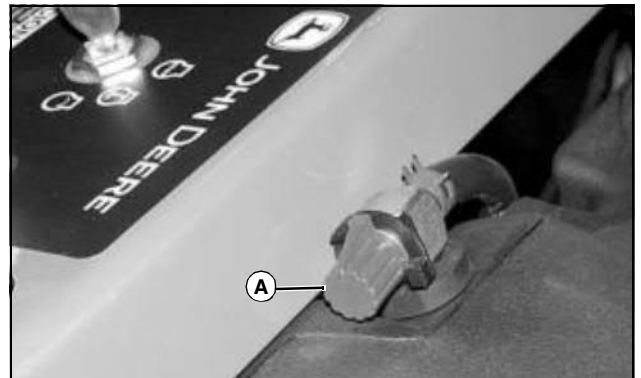
MX31983

1. Move throttle lever (A) to the 3/4 to full open position.
2. Pull PTO switch knob (B) up to engage.
3. Move throttle lever forward to full open position for mowing.

Disengage PTO:

1. Push PTO switch knob (B) down.

Using Fuel Shut-Off Valve



MX31986

Picture Note: Valve shown in open/on position.

Move the fuel shut-off valve (A) to the on position for normal operation. Move the valve to the off position when the machine is not in use, and during transport.

Using Throttle



MX31727

- Push throttle lever (A) forward to the fast position (B) when mowing.
- Move throttle lever to the fast position (B) when starting and warming the engine.
- Pull throttle lever backward to the slow position (C) to idle engine. Do not run engine at slow idle any longer than necessary.

Starting Engine

1. Lock park brake.



Suggest:

If the above button click is invalid.

Please download this document

first, and then click the above link

to download the complete manual.

Thank you so much for reading

OPERATING



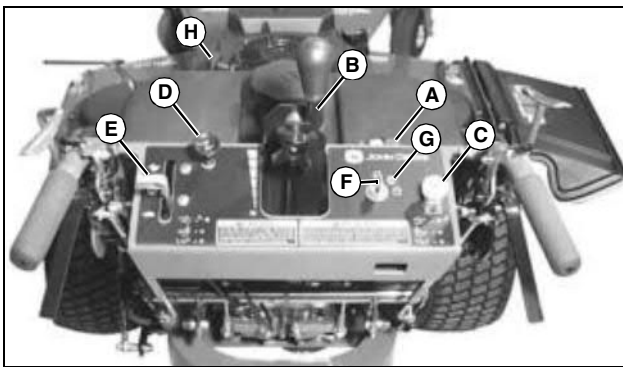
CAUTION: Avoid injury! Engine exhaust fumes contain carbon monoxide and can cause serious illness or death.

Move the machine to an outside area before running the engine.

Do not run an engine in an enclosed area without adequate ventilation.

- Connect a pipe extension to the engine exhaust pipe to direct the exhaust fumes out of the area.

- Allow fresh outside air into the work area to clear the exhaust fumes out.



MX31983

2. Open fuel shut-off valve (A).
3. Move speed control lever (B) to neutral position.
4. Check PTO switch knob (C). It must be down (OFF) for machine to start.
5. Set choke:
 - If engine is cold, pull choke knob (D) up to on position.
 - If engine is at operating temperature, choke should be in down (off) position. If necessary, pull choke knob up part way to start.
6. Set throttle lever:
 - If the engine is cold, push throttle lever (E) forward to the full open position.
 - If the engine is at operating temperature, push throttle forward to the full open position.
7. Turn key on (first position).
8. Start engine.

Manual Start

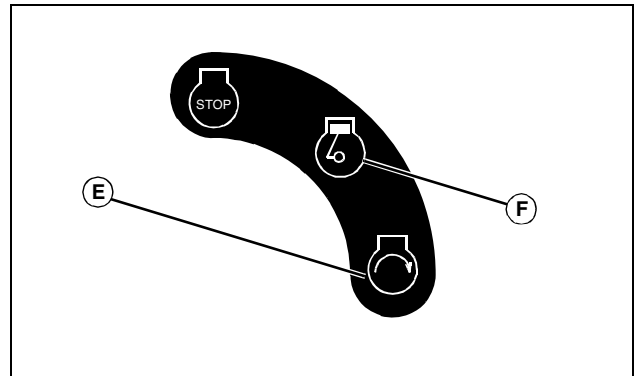
- a. Pull starter handle (H) slowly until slack is removed, then pull hard to cycle engine. Repeat as necessary until engine starts, then let starter handle return slowly.

Do not let go of handle and let it snap back to starter.

Electric Start (Optional)

IMPORTANT: Avoid damage! Starter may be damaged if starter is operated for more than 20 seconds at a time:

- Wait two minutes before trying again if engine does not start.



MIF

- a. Turn key switch to the start position (E).
 - b. If the engine does not start, wait 10 seconds.
 - c. Turn key to start position again for no more than 5 seconds.
 - d. Repeat the procedure if necessary.
 - e. Release key to the run position (F) when the engine starts.
9. Push choke knob in to off position when engine starts, and move throttle lever to desired engine speed.

Stopping the Engine

IMPORTANT: Avoid damage! Do not stop engine when mower is on a slope of more than 10°. Oil may run through valve train into carburetor and muffler.

1. Move speed control lever to the neutral position.
2. Slowly move throttle lever back to the 3/4 position.
3. Turn key switch to stop position.
4. Lock park brake.
5. Move fuel shut-off valve to closed/off position.
6. Remove the key.

<https://www.ebooklibonline.com>

Hello dear friend!

Thank you very much for reading.

Enter the link into your browser.

The full manual is available for immediate download.

<https://www.ebooklibonline.com>