

TRS22
Walk-Behind
Snowblowers
(Serial No. 120001—)

John Deere Horicon Works
OMM117853 Issue G2

LITHO IN U.S.A.
ENGLISH

Introduction

THANK YOU for purchasing a John Deere product.

READ THIS MANUAL carefully to learn how to operate and service your machine correctly. Failure to do so could result in personal injury or equipment damage.

THIS MANUAL SHOULD BE CONSIDERED a permanent part of your machine and should remain with the machine when you sell it.

MEASUREMENTS in this manual are given in both metric and customary U.S. unit equivalent. Use only correct replacement parts and fasteners. Metric and inch fasteners may require a specific metric or inch wrench.

RIGHT-HAND AND LEFT-HAND sides are determined by facing in the direction the machine or implement will travel when going forward.

WRITE PRODUCT IDENTIFICATIONS NUMBERS (P.I.N.) in the Specification or Identification Numbers section. Accurately record all the numbers to help in tracing the machine should it be stolen. Your dealer also needs these numbers when you order parts. File the identification numbers in a secure place off the machine.

WARRANTY is provided as part of John Deere's support program for customers who operate and maintain their equipment as described in this manual. The warranty is explained on the warranty certificate which you should have received from your dealer.

This warranty provides you the assurance that John Deere will back its products where defects appear within the warranty period. In some circumstances, John Deere also provides field improvements, often without charge to the customer, even if the product is out of warranty. Should the equipment be abused, or modified to change its performance beyond the original factory specifications, the warranty will become void and field improvements may be denied.

TIRE WARRANTY—John Deere warranty applies for tires available through the John Deere parts system. For tires not available through the John Deere parts system, the tire manufacturer's warranty applicable to your machine may not apply outside the U.S. (See your John Deere dealer for specific information.)



TRS22 Snowblower

M71546
-JUN-12JUN92

Contents

	Page		Page
Safety	1	Cleaning Fuel Cap Vents	36
Controls	9	Replacing Fuel Filter	37
Operating the Engine		Storage	
Starting the Engine	10	Assembly	40
Starting the Engine—Optional Electric Start	12	Specifications	45
Stopping the Engine	13	Record Identification Numbers	46
Operating the Snowblower		Index	
Adjusting Skids	14		
Using Speed Selector Lever	15		
Using Drive Control Levers	16		
Using Wheel Lockout	16		
Using Chute and Spout Control	17		
Stopping the Snowblower	17		
Emergency Stopping	18		
Snowblower Tips	18		
Fuels and Lubricants	19		
Troubleshooting	21		
Service	22		
Service Intervals	22		
Checking Hardware	23		
Checking Engine Oil	23		
Changing Engine Oil	24		
Adjusting Auger Drive Belt	25		
Cleaning and Gapping Spark Plug	27		
Checking Tire Pressure	27		
Adjusting Traction and Auger Drive Cable	28		
Adjusting Belt Guides	29		
Replacing Auger Drive Belt	30		
Replacing Traction Drive Belt	31		
Replacing Shear Bolt	33		
Adjusting Chute Worm Drive	33		
Adjusting Carburetor	34		
Adjusting Friction Wheel	35		
Reversing Scraper Blade	36		

All information, illustrations and specifications in this manual are based on the latest information available at the time of publication. The right is reserved to make changes at any time without notice.

OMM117853 G2-19-12JUN92

COPYRIGHT© 1992
DEERE & COMPANY
Moline, Illinois
All rights reserved
A John Deere ILLUSTRATION™ Manual

<https://www.ebooklibonline.com>

Hello dear friend!

Thank you very much for reading.

Enter the link into your browser.

The full manual is available for immediate download.

<https://www.ebooklibonline.com>

Safety

RECOGNIZE SAFETY INFORMATION

This is the safety-alert symbol. When you see this symbol on your machine or in this manual, be alert to the potential for personal injury.

Follow recommended precautions and safe operating practices.



DX,ALERT -19-04JUN90

T81389 -UN-07DEC68

UNDERSTAND SIGNAL WORDS

A signal word—DANGER, WARNING, or CAUTION—is used with the safety-alert symbol. DANGER identifies the most serious hazards.

DANGER or WARNING safety signs are located near specific hazards. General precautions are listed on CAUTION safety signs. CAUTION also calls attention to safety messages in this manual.



DX,SIGNAL -19-09JAN92

TS187 -19-30SEP88

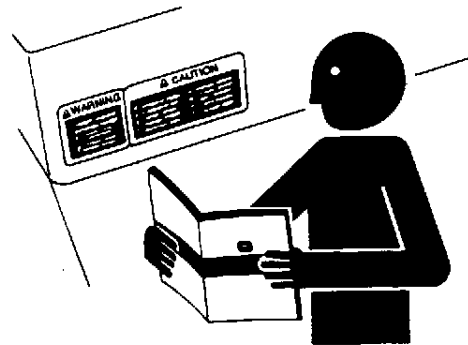
FOLLOW SAFETY INSTRUCTIONS

Carefully read all safety messages in this manual and on your machine safety signs. Keep safety signs in good condition. Replace missing or damaged safety signs. Be sure new equipment components and repair parts include the current safety signs. Replacement safety signs are available from your John Deere dealer.

Learn how to operate the machine and how to use controls properly. Do not let anyone operate without instruction.

Keep your machine in proper working condition. Unauthorized modifications to the machine may impair the function and/or safety and affect machine life.

If you do not understand any part of this manual and need assistance, contact your John Deere dealer.



DX,READ -19-04JUN90

TS201 -UN-23AUG88



OPEI CERTIFICATION

This OPEI label on your snow thrower indicates that this model has been certified by an independent laboratory for compliance with American National Standard B-71.3-1984, "Safety Specifications" for Snowthrowers.



DX,CERT2 -19-04JUN90

TS289 -19-07OCT88

INSPECT SNOWBLOWER BEFORE YOU USE IT

Check hardware. Keep it tight.

Keep snowblower clean.

Replace missing parts.

Repair damaged or badly worn parts.

Guards and shields must be in good condition and fastened in place.

Make adjustments before you operate.

MX,SAHM,A -19-12JUN92

PROTECT FROM THROWN OBJECTS

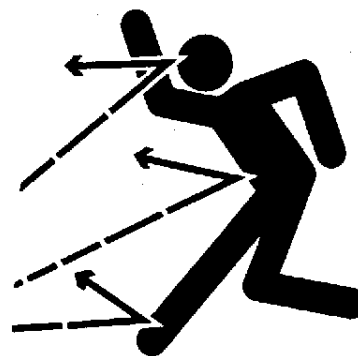
Before snow falls clear work area of objects that might be picked up and thrown by snowblower.

Keep people and pets out of work area. Keep children in the house when you are operating the snowblower.

Do not blow snow toward people, cars, or buildings.

BE EXTREMELY CAREFUL IF YOU MUST CLEAR SNOW FROM A GRAVEL PATH:

- During operation the blower turns 1320 times per minute (rpm). It can throw gravel—or other objects—with great force, and cause serious face, eye, or bodily injury.
- Adjust skids lower so scraper blade is well above gravel.
- Be aware that snowblower may pick up gravel in snow. Adjust spout angle carefully to blow this snow safely.



MX,SAHM,B -19-12JUN92

IM41423 -UN-30AUG88



OPERATE SAFELY

Do not let children or untrained persons operate snowblower.

Do not run engine in a building unless there is good ventilation.

Be sure of footing. Operate slowly on slippery surfaces.

Avoid sudden starts and stops.

If you hit an object, or run an object through snowblower, stop engine immediately, disconnect spark plug wire. Inspect snowblower for damage. Repair damage.

If snowblower starts vibrating abnormally during operation, stop engine immediately, disconnect spark plug wire and inspect snowblower. Repair any damage.

Blow snow in daylight or good artificial light.

Do not use snowblower on surfaces above ground level, such as, a roof of a building.

Operate safely on slopes:

- Do not clear snow across a slope.
- Be very careful when you change direction on a slope.
- Do not try to clear snow from a steep slope.

Keep away from edge of a ditch or bank.

Avoid holes, rocks, roots, etc.

Be very careful of your footing when you back the snowblower.

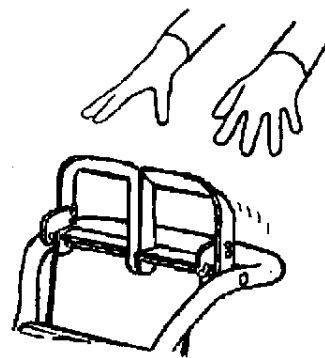
Do not leave snowblower unattended with engine running.

MX,SAHM,C -19-12JUN92

EMERGENCY STOP

Release levers:

- Snowblower will stop.
- Auger will stop.
- Engine will NOT STOP.



MX,SAHM,D -19-12JUN92

MT1547 -JUN-12JUN92



HANDLE FUEL SAFELY—AVOID FIRES

Handle fuel with care, it is highly flammable.

DO NOT refuel machine:

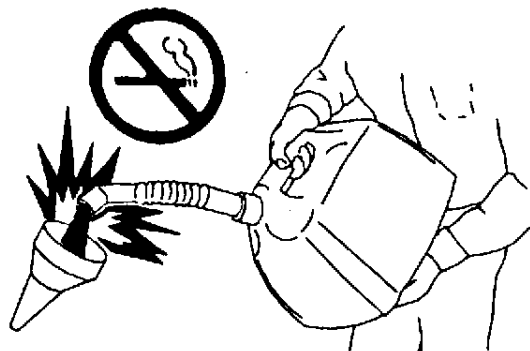
- While you smoke.
- When machine is near open flame or sparks.
- When engine is running. STOP engine.

Fill fuel tank outdoors.

Help prevent fires:

- Clean oil, grease and dirt from machine.
- Clean up spilled fuel immediately.

Do not store machine with fuel in tank in a building where fumes may reach an open flame or spark.



M73115 -UN-09MAR90

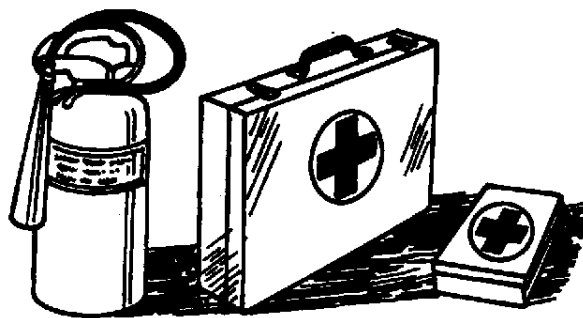
MX,FIRE,5 -19-15JUN92

PREPARE FOR EMERGENCIES

Be prepared if a fire starts.

Keep a first aid kit and fire extinguisher handy.

Keep emergency numbers for doctors, ambulance service, hospital, and fire department near your telephone.



TS291 -UN-23AUG88

DX,FIRE2 -19-04JUN90



WEAR PROTECTIVE CLOTHING

Wear close-fitting clothing, adequate for cold weather protection.

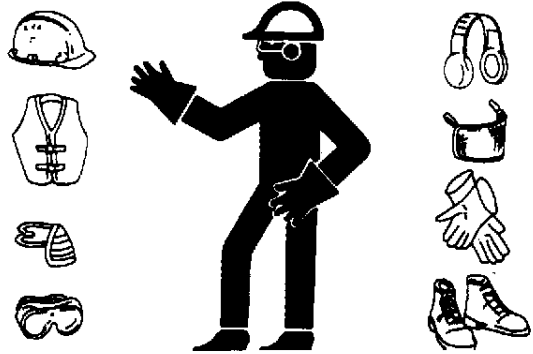
Wear footwear that will help footing on slippery surfaces.

Wear eye protection when you operate and service snowblower to help prevent injury from thrown objects.

Prolonged exposure to loud noise can cause impairment or loss of hearing.

Wear earmuffs or earplugs to protect against loud noise.

Operating equipment safely requires the full attention of the operator. Do not wear radio or music headphones while you operate the snowblower.



TS206 -UN-23AUG68

MX,SAHM,E -19-12JUN92

AVOID INJURY FROM MOVING PARTS

During operation the blower can cut off fingers or a hand in an instant. Keep hands, feet, and clothing away from discharge chute and auger.

Before you unplug, inspect, or repair snowblower, STOP ENGINE.

Stop auger:

- When you are driving between jobs.
- When you are not blowing snow.

Do not make adjustments while engine is running unless the procedure is approved. If adjustments need to be made, STOP ENGINE.



MS36022 -UN-23AUG68

MX,SAHM,F -19-12JUN92



SERVICE SNOWBLOWER SAFELY

Keep work area floor clean and dry.

Understand service procedure before you do the work.

Help prevent injury from moving parts during service:

- Do not lubricate or service machine while parts are moving.
- Keep hands, feet, and clothing from power-driven parts.
- Disengage power. Stop engine. Remove key. Let engine cool.

Safely support parts of snowblower that must be raised for service.

Keep all parts in good condition and properly installed:

- Fix damage immediately.
- Replace worn or broken parts.
- Remove grease, oil, or dirt from parts.



MX_SAHM,G -19-12JUN92

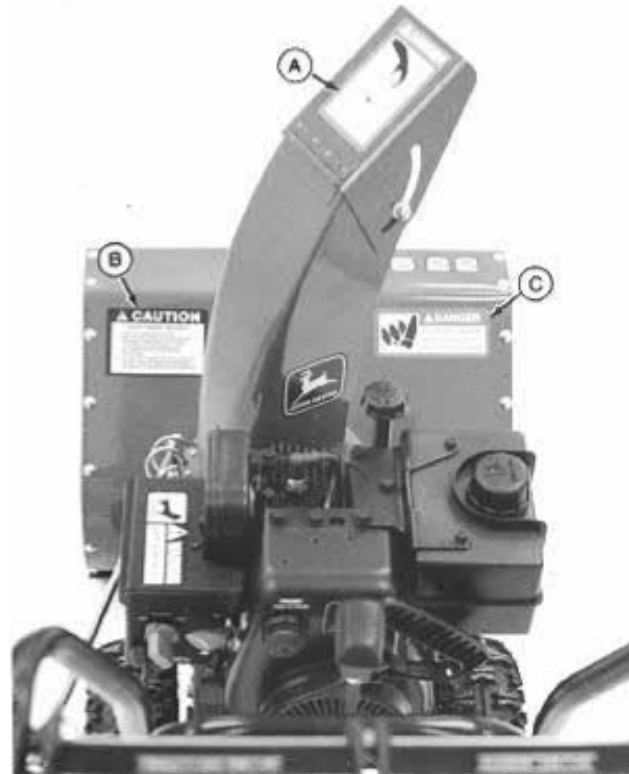
TSS218 -UN-23AUG88



READ SAFETY SIGNS



(A)



(B)



(C)

M71549 -19-11JUN92

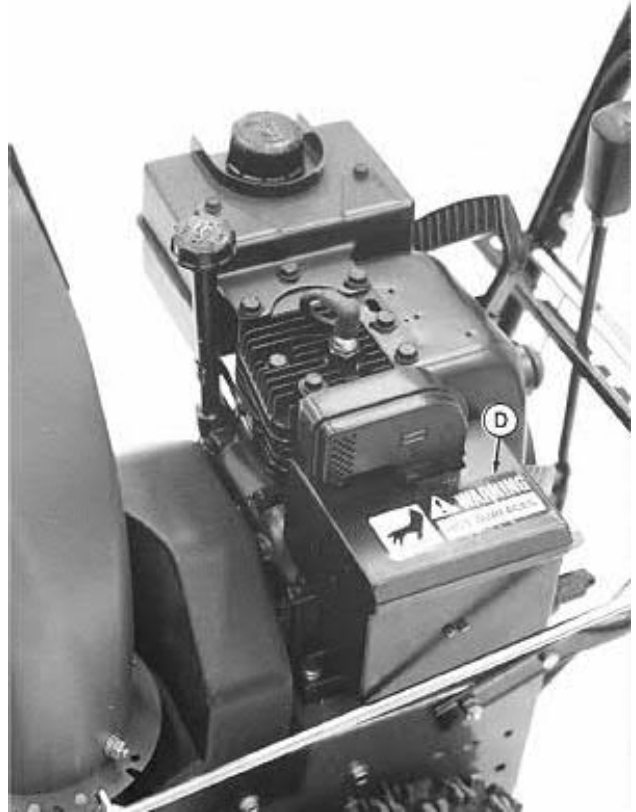
M71550 -19-11JUN92

MX,SAHM,H -19-12JUN92



M34187 -19-13MAR89

(D)



-UN-12JUN92

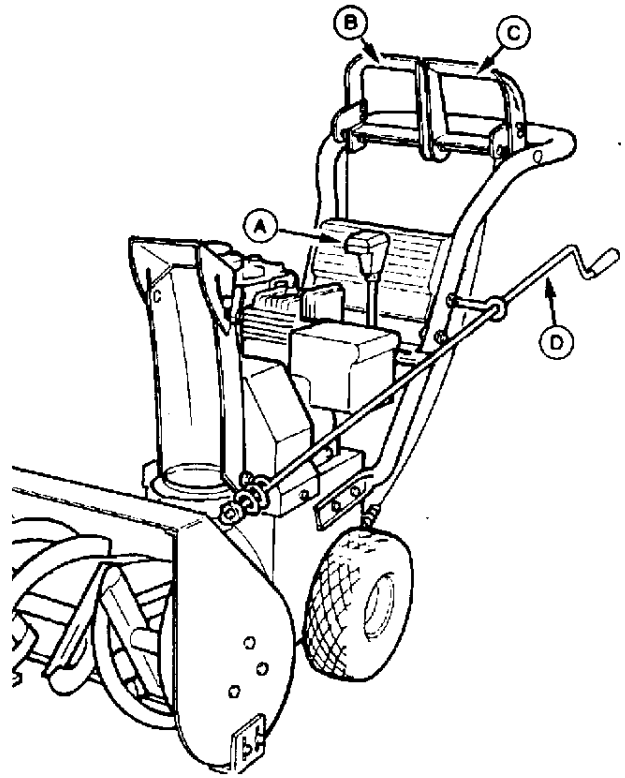
M71597

MX,SAHM,I -19-12JUN92

Controls

SNOWBLOWER CONTROLS

- A—Speed Selector Lever
- B—Auger Drive Control Lever
- C—Traction Drive Control Lever
- D—Chute Crank

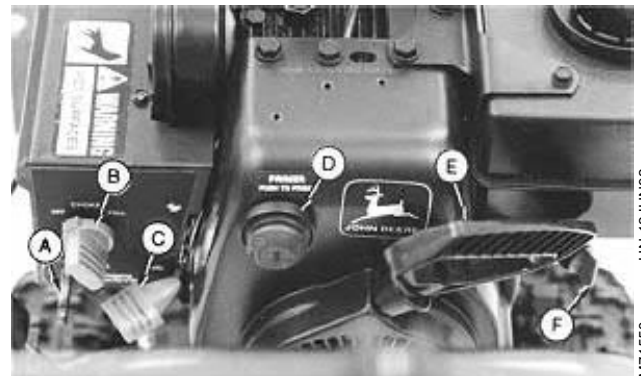


MX,CTHM,A -19-12JUN92

MT71552 -UN-12JUN92

ENGINE CONTROLS

- A—Key Switch
- B—Choke Control Knob
- C—Throttle Lever
- D—Primer Button
- E—Starter Handle
- F—Fuel Shutoff Knob



MX,CTHM,B -19-12JUN92

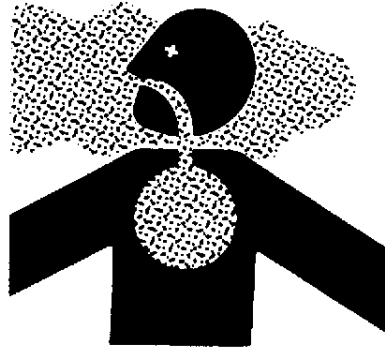
MT71553 -UN-12JUN92

Operating the Engine

WORK IN VENTILATED AREA

Engine exhaust fumes can cause sickness or death. If it is necessary to run an engine in an enclosed area, remove the exhaust fumes from the area with an exhaust pipe extension.

If you do not have an exhaust pipe extension, open the doors and get outside air into the area.



DX,AIR -19-04JUN90

TS220 -UN-23AUG88

STARTING THE ENGINE

1. Turn fuel shutoff knob (A) all the way to the left to the OPEN position.



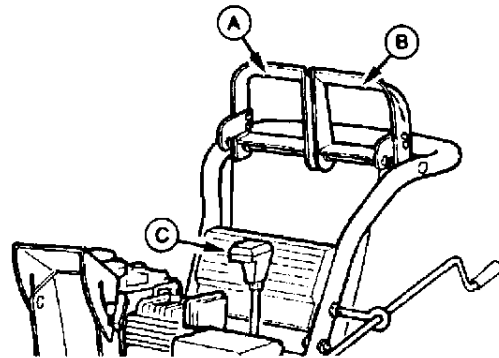
Open Position

MX,OEHM,A -19-12JUN92

MT1554 -UN-12JUN92

2. Auger drive control lever (A) and traction drive control lever (B) must be in the DISENGAGED (UP) position.

3. Speed selector lever (C) should be in the 1ST SPEED position.



MX,OEHM,B -19-12JUN92

MT1555 -UN-12JUN92



Suggest:

If the above button click is invalid.

Please download this document

first, and then click the above link

to download the complete manual.

Thank you so much for reading

Operating the Engine

NOTE: DO NOT choke or prime a warm engine.

4. Choke control:

- For cold engine, turn knob (A) to FULL choke position.
- For warm engine, leave knob in OFF position.

5. Pull throttle lever (B) up to FAST (Rabbit) position.

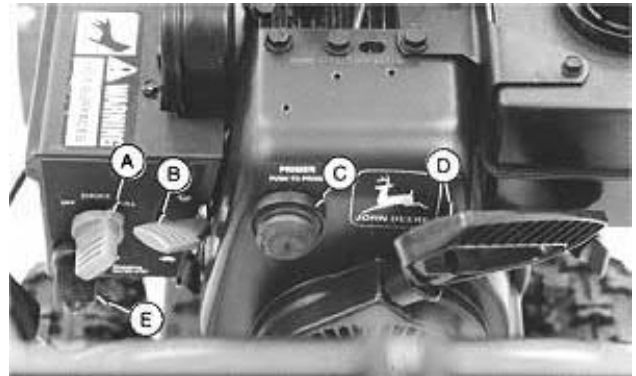
6. Primer button (C):

- For cold engine, push button two or three times.
- If air temperature is below 10°F (—12°C), push button five times.
- If engine is warm, DO NOT push button.

7. Turn key (E) to RUN.

8. Pull starter handle (D) until you feel resistance. Then pull fast and steady. Do not let handle snap back.

Repeat until engine starts.



M71556 -UN-12JUN92

MX,OEHM,C -19-12JUN92

9. After cold engine is started:

- As engine warms, slowly turn choke knob to OFF.
- If engine falters, turn choke knob to the 1/2 position until it runs smoothly then move it to OFF.
- Let engine warm a few minutes.

MX,OEHM,D -19-12JUN92

<https://www.ebooklibonline.com>

Hello dear friend!

Thank you very much for reading.

Enter the link into your browser.

The full manual is available for immediate download.

<https://www.ebooklibonline.com>