

TRS22
Walk-Behind
Snowblower
(Serial No. 140001 –)

OPERATOR'S
MANUAL

John Deere
Lawn & Grounds Care Division
OMM122054 H5

North American Version
Litho in U.S.A
English

INTRODUCTION

THANK YOU for purchasing a John Deere product.

Read this manual and your attachment manuals thoroughly. Failure to do so could result in personal injury or equipment damage.



C WARNING: The Engine Exhaust from this product contains chemicals known to the State of California to cause cancer, birth defects or other reproductive harm.

CALIFORNIA Proposition 65 Warning

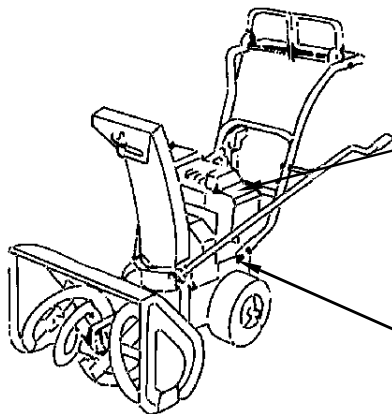
This manual should be considered a permanent part of your machine and should remain with the machine when you sell it.

Measurements in this manual are metric units and their U.S. customary equivalents. RIGHT-HAND and LEFT-HAND sides are determined by facing in the direction the machine will travel when going forward. When you see a broken line arrow (- - - ➔) it indicates the part it is pointing to is hidden.

Record identification numbers below. Be sure to record all the numbers to help in tracing the machine if it is stolen. You also need to give these numbers to your dealer when you order parts.

Date of Purchase:

Dealer Name: _____ **Phone:** _____



Engine Model Number:
□ □ □ □ □ □ □ □ □ □ □ □ □ □ □ □ □ □

Machine Serial Number:
□ □ □ □ □ □ □ □ □ □ □ □ □ □ □ □ □ □

TABLE OF CONTENTS

	Page
Safety Signs	
Safety-Alert Symbol.....	1
Machine Safety Labels	1
Certification Label.....	2
Controls	
Snowblower Controls.....	3
Engine Controls	3
Operating	
Operate Safely.....	4
Rotating Blades Are Dangerous - Protect Children And Prevent Accidents	5
Wear Appropriate Clothing	5
Adjusting Skids	6
Using Speed Selector Lever.....	7
Using Drive Control Lever.....	9
Using Fuel Shutoff Knob.....	10
Starting Engine	10
Electric Start (Optional Equipment)	12
Stopping Engine	13
Emergency Stopping	14
Using Wheel Lockout.....	15
Using Chute And Spout Controls.....	15
Daily Operating Checklist	16
Avoid Damage To Plastic And Painted Surfaces.....	16
Snowblowing Tips.....	16
Service Machine Safely	
Practice Safe Maintenance.....	17
Wear Appropriate Clothing	17
Avoid Injury From Moving Parts.....	18
Handling Waste Products	18

<https://www.ebooklibonline.com>

Hello dear friend!

Thank you very much for reading.

Enter the link into your browser.

The full manual is available for immediate download.

<https://www.ebooklibonline.com>

TABLE OF CONTENTS

	Page
Service	
Service Intervals.....	19
Engine Oil.....	21
Grease	22
Checking Engine Oil.....	23
Changing Engine Oil	23
Gapping Spark Plug.....	25
Adjusting Carburetor	25
Checking Gearbox Lubricant.....	26
Cleaning Fuel Cap Vents	27
Adjusting Auger Drive Belt	28
Adjusting Belt Guides.....	29
Replacing Auger Drive Belt.....	30
Replacing Traction Drive Belt.....	31
Adjusting Friction Wheel	33
Replacing Shear Bolt	34
Reversing Scraper Blade	35
Replacing Fuel Filter	35
Adjusting Traction And Auger Drive Cable.....	36
Lubricating Friction Disc Hub	36
Lubricate Auger Shaft	37
Lubricate Wheel Axle	37
Filling Fuel Tank Safely.....	38
Filling Fuel Tank.....	39
Fuel Recommendations	39
Check Tire Pressure	40
Troubleshooting	
Using Troubleshooting Chart	41
Storing Machine	
Storing Snowblower Safely	44
Storing Snowblower	44
Removing Snowblower From Storage	45

TABLE OF CONTENTS

	Page
Assembly	
Adjustments	47
Install Handlebars	47
Install Chute Crank	48
Install Auger And Traction Drive Cable Ends	50
Install Chute	50
Check Tire Pressure	50
Adjust Skid Height	51
Add Engine Oil	51
Specifications	
Engine	52
Machine	52
Auger	53
Blower	53
Recommended Lubricants	53
Warranty Information	
Product Warranty	54
John Deere Service Literature Available	
Order Form	55

All information, illustrations and specifications in this manual are based on the latest information at the time of publication. The right is reserved to make changes at any time without notice.

COPYRIGHT© 1995
John Deere Horicon Works
All rights reserved
Previous Editions
COPYRIGHT© 1994 and 1992

SAFETY SIGNS

Safety-Alert Symbol

Read and recognize safety information. Be alert to the potential for personal injury when you see this safety-alert symbol.

On your machine safety labels, the words DANGER, WARNING, and CAUTION are used with this safety-alert symbol. DANGER identifies the most serious hazards. In this manual, the word CAUTION and this symbol call attention to safety messages.



Machine Safety Labels



SAFETY SIGNS



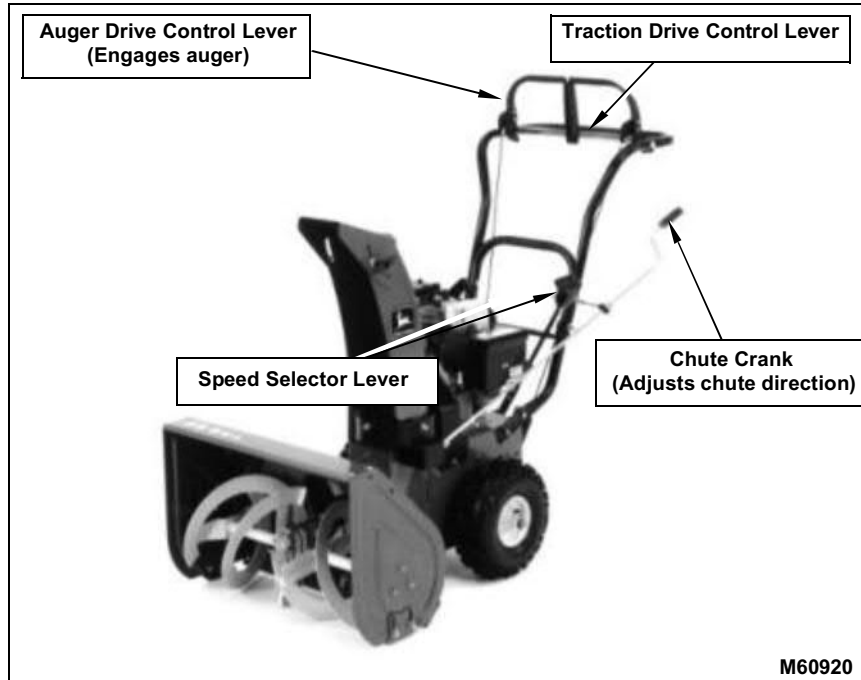
Certification Label

This OPEI label on your snow thrower indicates that this model has been certified by an independent laboratory for compliance with American National Standard B-71.3-1984, "Safety Specifications" for Snowthrowers.

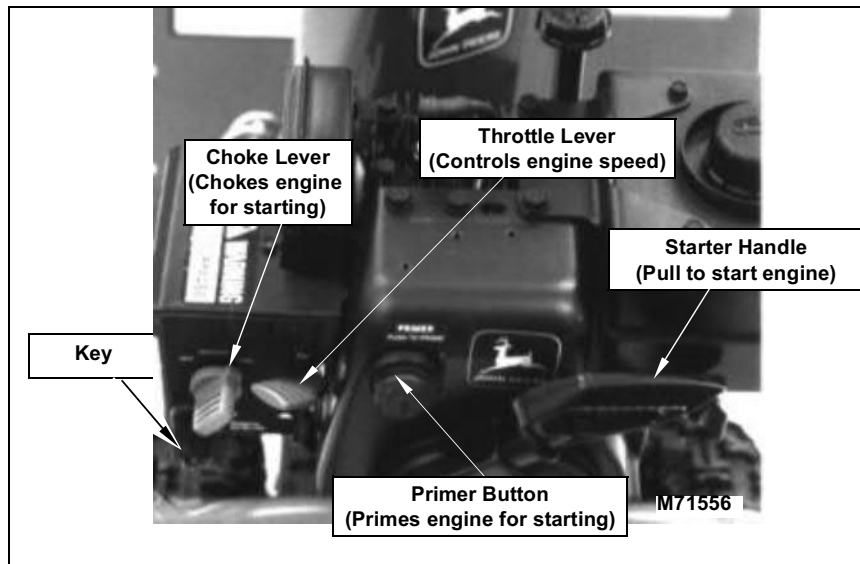


CONTROLS

Snowblower Controls



Engine Controls



OPERATING

SAFETY



Operate Safely

- Inspect machine before you operate. Be sure hardware is tight. Repair or replace damaged, badly worn, or missing parts. Be sure guards and shields are in good condition and fastened in place. Make any necessary adjustments before you operate.
- Clear work area of objects that might be thrown. Keep people and pets out of the work area. Keep children in the house when you are operating the snowblower. Stop machine if anyone enters the area.
- If you hit an object, stop the machine and inspect it. Make repairs before you operate. Keep machine properly maintained, clean, and in good working order. Keep all shields and guards in place.
- DO NOT blow snow toward people, cars, or buildings.
- DO NOT use snowblower on surfaces above ground level, such as, a roof of a building.
- Be extremely careful if you must clear snow from a gravel path. Be aware that snowblower may pick up gravel in snow. Adjust spout angle carefully to blow this snow safely.
- DO NOT leave machine unattended when it is running.
- Only operate during daylight or with good artificial light.
- Be sure of footing. Operate slowly on slippery surfaces. Be especially careful when you pull machine backwards with the engine running. Avoid holes, rocks, roots, etc.
- DO NOT blow snow across a slope. Be very careful when you change direction on a slope. Do not try to clear snow from a steep slope. Keep away from edge of a ditch or bank.
- Keep a firm hold on the machine handles. Avoid sudden starts and stops.
- DO NOT run engine in a building unless there is good ventilation.

OPERATING

Rotating Blades Are Dangerous - Protect Children And Prevent Accidents



PROTECT CHILDREN:

- Never assume that children will remain where you last saw them. Stay alert to the presence of children.
- Keep children in the house when you are operating the machine.
- Turn machine off if a child enters the area.
- Use extra care when you come to blind corners, shrubs, trees, or other objects that may block your vision.
- DO NOT let children or an untrained person operate the machine.

HELP PREVENT SERIOUS OR FATAL ACCIDENTS:

- Be alert at all times, people especially children can move quickly into the area before you know it.
- DO NOT operate snowblower if you are under the influence of drugs or alcohol.
- Keep hands, feet, and clothing away from discharge chute and auger.

Wear Appropriate Clothing



- Wear close fitting clothing and safety equipment appropriate for the job.
- Wear eye protection.
- Loud noise can cause impairment or loss of hearing, wear a suitable protective device such as earplugs.
- Do not wear radio or music headphones while operating the machine. Safe operation requires your full attention.

OPERATING

Adjusting Skids

If you operate on a smooth, hard surface, adjust skids so there is 1/8 in. (3 mm) between scraper blade and surface.

If skid is as high as it will go (bolt against bottom of slot), and scraper blade is still too high:

- Loosen six bolts (A) on scraper blade.
- Move blade down to 1/8 in. (3 mm) above surface.
- Tighten bolts.

Before you operate snowblower on gravel or uneven surface, adjust bottom of skids to 1-1/4 in. (30 mm) below scraper blade.

Before you adjust skids on wheel models:

- Pressure in each tire must be the same.
- Each tire must be resting on hard surface, not on a cross-link of tire chain.

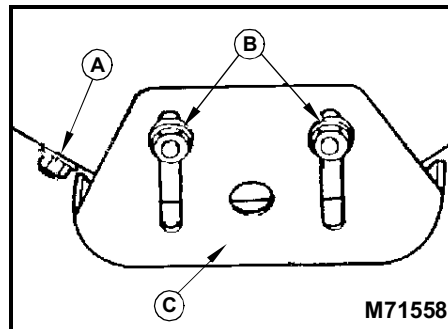
NOTE: Be sure both skids are set to the same height.

1. Park snowblower on a hard, smooth surface.

2. Put a block under auger housing.

3. Loosen two nuts (B). Move skid (C) to desired position.

4. Tighten nuts. Adjust other skid to same height.



OPERATING

Using Speed Selector Lever

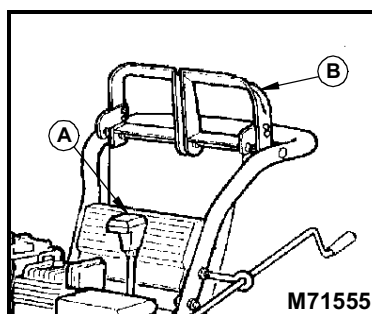
C CAUTION: To help avoid injury, be sure of footing when you operate the snowblower. Use a speed you can safely control.

IMPORTANT: Always release traction drive lever before moving speed selector lever to avoid snowblower damage.

Speed selector lever (A) controls travel direction and speed of snowblower:

- Forward and reverse direction.
- Six speeds forward and two reverse.

Traction drive lever (B) must be **DISENGAGED (Up)** before you move speed selector lever.



USING SIX FORWARD SPEEDS:

- Use 1st and 2nd speeds for deep, hard, or wet snow on slippery or sloping surfaces.
- Use 3rd and 4th speeds for light-to-heavy snow on level surface.
- Use 5th speed for light snow and easy going.
- Use 6th speed for driving between jobs, **NOT FOR BLOWING SNOW.**

OPERATING

Using Speed Selector Lever (Continued)

USING TWO REVERSE SPEEDS:

- Use the R1 (REVERSE) slot for slippery surfaces and difficult going.
- Use the R2 (REVERSE) slot for bare surfaces and easy going.

<u>TRS 22 Travel Speeds</u>	<u>mph (kmh)</u>
1st speed	0.5 (0.8)
2nd speed	0.8 (1.3)
3rd speed	1.2 (1.9)
4th speed	1.6 (2.6)
5th speed	2.0 (3.2)
6th speed	2.5 (4.0)
R1 speed	0.7 (1.1)
R2 speed	1.5 (2.4)



Suggest:

If the above button click is invalid.

Please download this document

first, and then click the above link

to download the complete manual.

Thank you so much for reading

OPERATING

Using Drive Control Levers

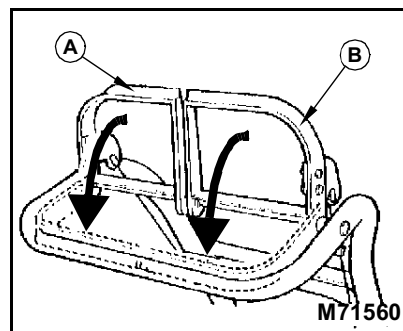
C CAUTION: For an emergency STOP:
Release both drive control levers (A
and B).

TRACTION DRIVE CONTROL LEVER (A):

- Pull lever down to handle to ENGAGE traction drive.
- Release lever to DISENGAGE traction drive.

AUGER DRIVE CONTROL LEVER (B):

- Pull lever down to handle to ENGAGE auger drive.
- Release lever to DISENGAGE auger drive.



TRACTION AND AUGER DRIVE CONTROL LEVERS:

- Pull and hold both levers down to handle to keep the traction and auger drive ENGAGED.
- Release levers to DISENGAGE drives.

<https://www.ebooklibonline.com>

Hello dear friend!

Thank you very much for reading.

Enter the link into your browser.

The full manual is available for immediate download.

<https://www.ebooklibonline.com>