

JOHN DEERE
WORLDWIDE COMMERCIAL & CONSUMER
EQUIPMENT DIVISION

Material Collection System (MCS) for
ZTRAK Front Mowers

OMM145683 A1

OPERATOR'S MANUAL



North American Version
Litho in U.S.A.

INTRODUCTION

Thank You for Purchasing a John Deere Product

We appreciate having you as a customer and wish you many years of safe and satisfied use of your machine.

Using Your Operator's Manual

This manual is an important part of your machine and should remain with the machine when you sell it.

Reading your operator's manual will help you and others avoid personal injury or damage to the machine. Information given in this manual will provide the operator with the safest and most effective use of the machine. Knowing how to operate this machine safely and correctly will allow you to train others who may operate this machine.

If you have an attachment, use the safety and operating information in the attachment operator's manual along with the machine operator's manual to operate the attachment safely and correctly.

This manual and safety signs on your machine may also be available in other languages (see your John Deere dealer to order).

Sections in your operator's manual are placed in a specific order to help you understand all the safety messages and learn the controls so you can operate this machine safely. You can also use this manual to answer any specific operating or servicing questions. A convenient index located at the end of this book will help you to find needed information quickly.

The machine shown in this manual may differ slightly from your machine, but will be similar enough to help you understand our instructions.

RIGHT-HAND and LEFT-HAND sides are determined by facing in the direction the machine will travel when going forward. When you see a broken line arrow (----->), the item referred to is hidden from view.

Special Messages

Your manual contains special messages to bring attention to potential safety concerns, machine damage as well as helpful operating and servicing information. Please read all the information carefully to avoid injury and machine damage.

IMPORTANT: Avoid damage! This text is used to tell the operator of actions or conditions that might result in damage to the machine.

NOTE: General information is given throughout the manual that may help the operator in the operation or service of the machine.



CAUTION: Avoid injury! This symbol and text highlight potential hazards or death to the operator or bystanders that may occur if the hazards or procedures are ignored.

PRODUCT IDENTIFICATION

Record Identification Numbers

Material Collection System (MCS) for ZTRAK Front Mowers

Serial No. (020001-)

If you need to contact an Authorized Service Center for information on servicing, always provide the product model and serial number.

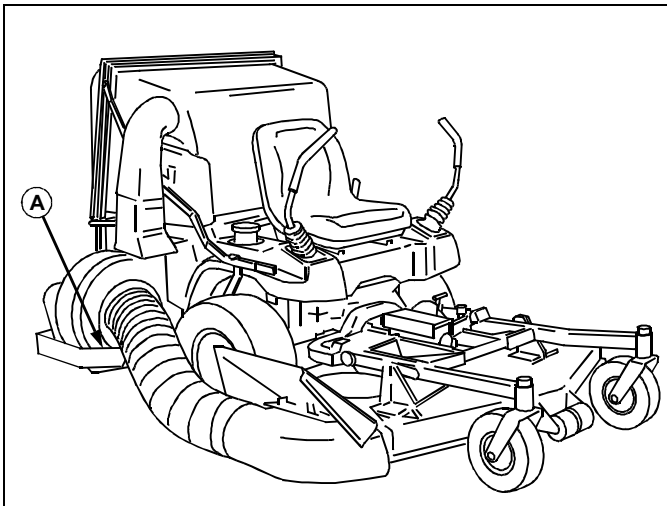
You will need to locate the serial number for the machine. Record the information in the spaces provided below.

DATE OF PURCHASE:

DEALER NAME:

DEALER PHONE:

SERIAL NUMBER (A):



<https://www.ebooklibonline.com>

Hello dear friend!

Thank you very much for reading.

Enter the link into your browser.

The full manual is available for immediate download.

<https://www.ebooklibonline.com>

TABLE OF CONTENTS

Safety	1
Installing	6
Removing	9
Operating	11
Replacement Parts	14
Service	15
Troubleshooting	19
Storage	20
Assembly	21
Specifications	40
Index	41

All information, illustrations and specifications in this manual are based on the latest information at the time of publication. The right is reserved to make changes at any time without notice.

COPYRIGHT© 2001
Deere & Co.

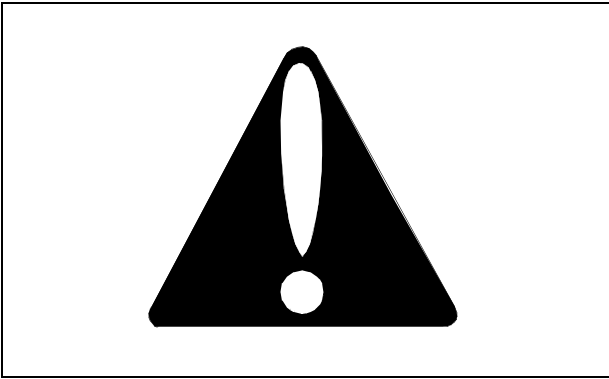
John Deere Worldwide Commercial and
Consumer Equipment Division

All rights reserved
Previous Editions
COPYRIGHT© 2000

OMM145683 A1 - English

SAFETY

Understanding The Machine Safety Labels

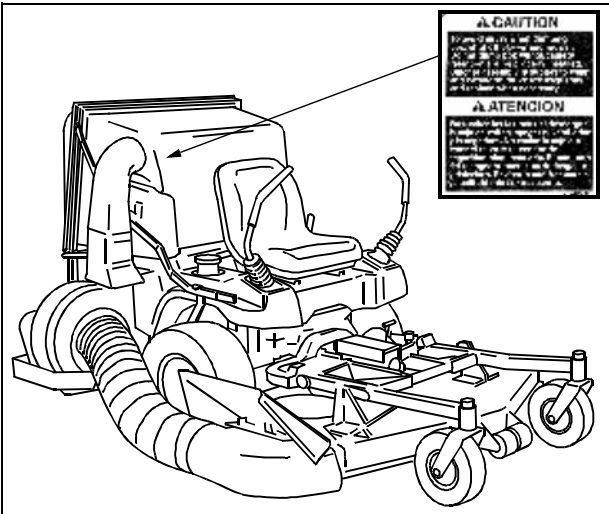


The machine safety labels shown in this section are placed in important areas on your machine to draw attention to potential safety hazards.

On your machine safety labels, the words **DANGER**, **WARNING**, and **CAUTION** are used with this safety-alert symbol, (▲). **DANGER** identifies the most serious hazards.

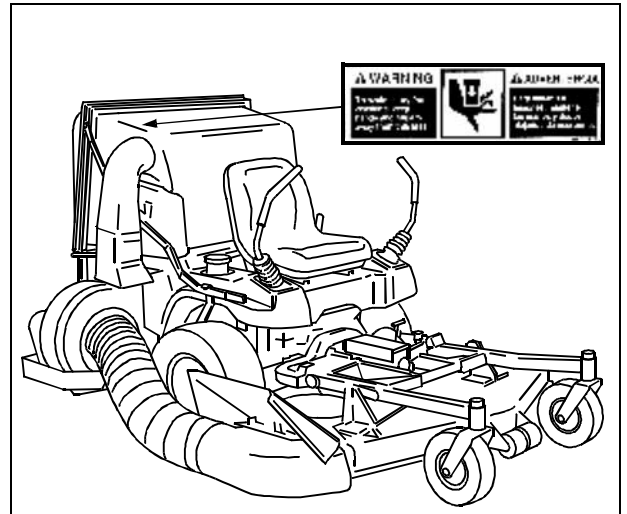
The operator's manual also explains any potential safety hazards whenever necessary in special safety messages that are identified with the word, **CAUTION**, and the safety-alert symbol, (▲).

Caution—Avoid Injury When Dumping MCS Box



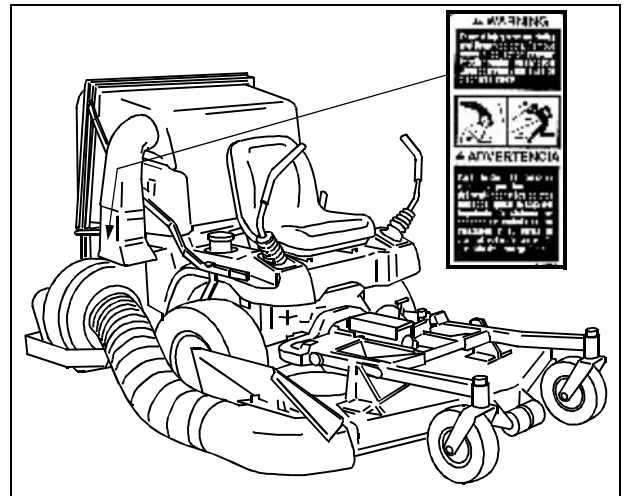
To avoid injury when dumping box, shut off blower and mower. Do Not dump box without safety retention spring properly installed. Catcher assembly is subject to wear and deterioration, check frequently and replace when necessary.

Warning—Avoid Injury From Crushing



To avoid injury from crushing, keep hands and fingers away from this area.

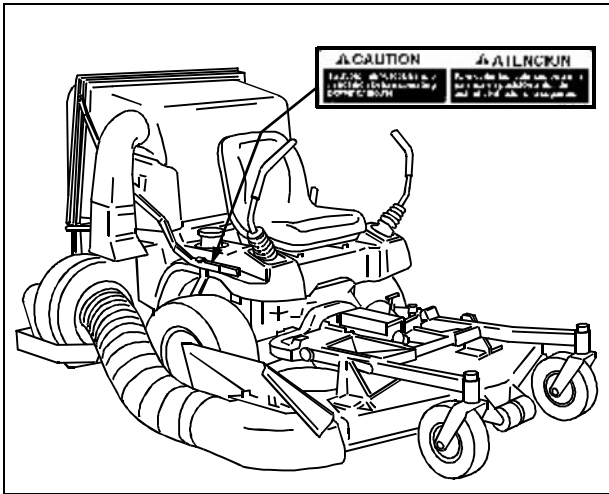
Warning—Avoid Injury From Fan Blades and Thrown Objects



Avoid injury from fan blades and thrown objects. Remove material collection systems impeller housing, hose and boot when operating vehicle in side discharge mode.

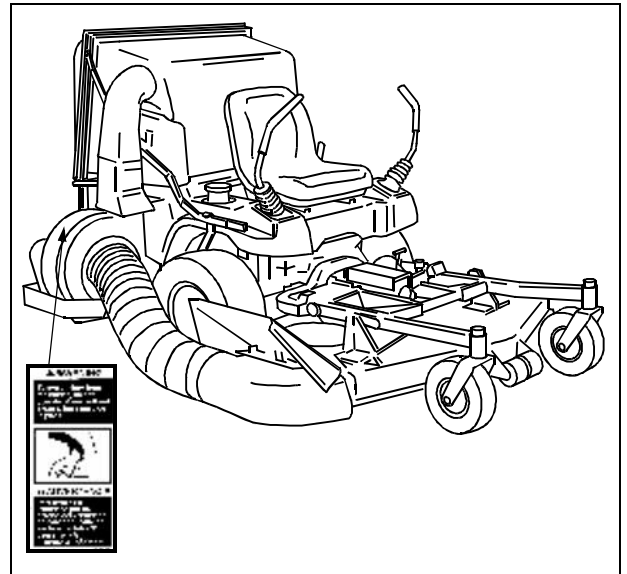
SAFETY

Caution—Avoid Injury From MCS Handle



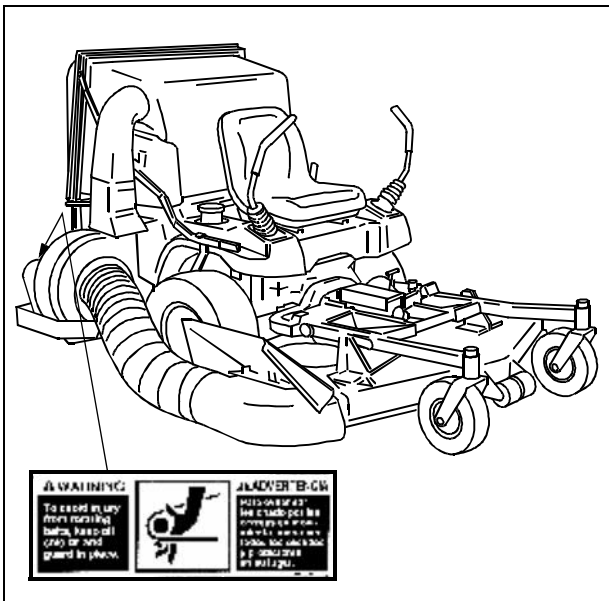
To avoid injury, lock handle in position before operating blower or mower.

Warning—Avoid Injury From Fan Blades



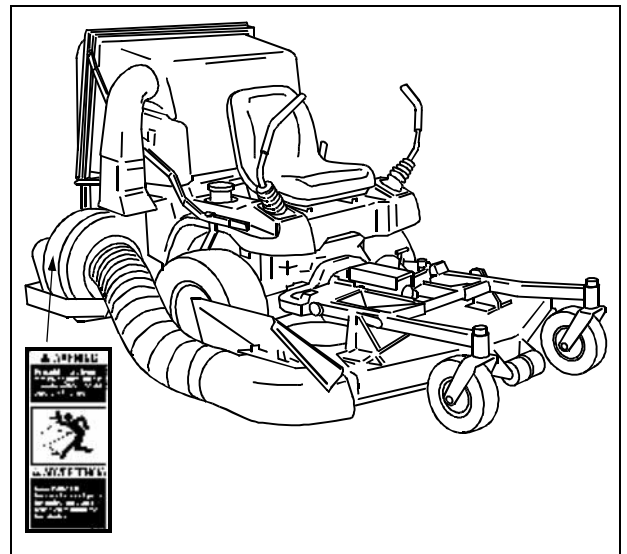
To avoid injury from fan blades, Do Not operate blower without chute and hose secured in place.

Warning—Avoid Injury From Rotating Belts



To avoid injury from rotating belts, keep all shields and guard in place.

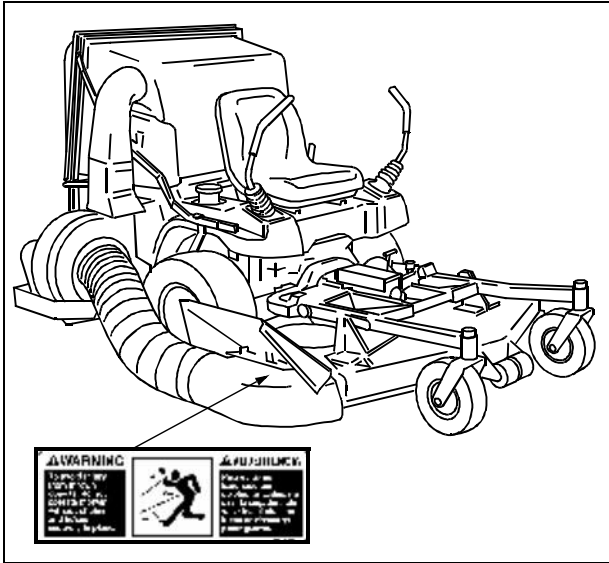
Warning—Avoid Injury From Thrown Objects



To avoid injury from thrown objects, Do Not operate without hoses securely in place.

SAFETY

Warning–Avoid Injury From Thrown Objects



To avoid injury from thrown objects, Do Not operate mower without chutes and hoses securely in place.

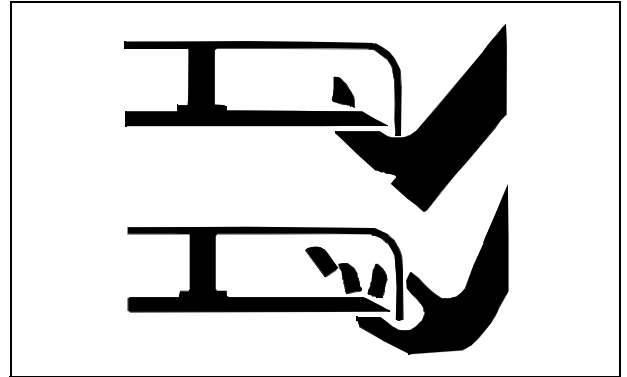
Park Vehicle Safely

1. Stop vehicle on a level surface, not on a slope.
2. Disengage PTO.
3. Lock park brake.
4. Stop the engine.
5. Remove the key.
6. Before you leave the operator's seat, wait for the engine and all moving parts to stop.

Avoid Injury From Thrown Objects

- When operating the vehicle with the MCS installed make sure all chutes and hoses are securely in place.
- Avoid injury from impeller blades and thrown objects. Remove MCS blower, hose and boot when operating vehicle in side discharge mode.

Avoid Injury From Contacting Blades



Before dismounting to unplug the MCS or adjust the mower:

- DISENGAGE PTO to stop Front Mower blades.
- STOP the engine.
- LOCK the park brake.
- Remove key.
- Wait for mower blades to STOP.
- Keep hands, feet and clothing away from mower deck when engine is running.
- Disengage PTO to stop mower blades when not using the mower.

Stay Clear of Rotating Drivelines



Entanglement in rotating driveline can cause serious injury or death:

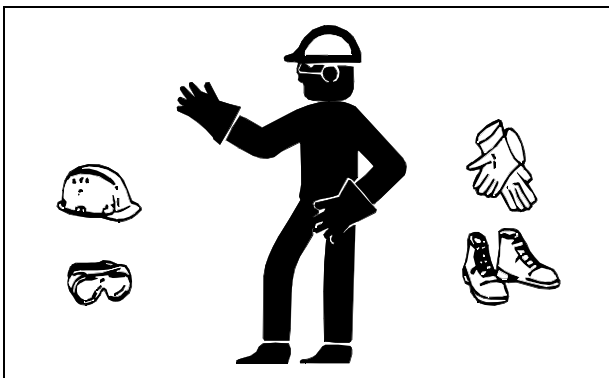
- Wear close fitting clothing.
- STOP the engine and be sure PTO driveline is stopped before getting near it.

SAFETY

Operator Training Required

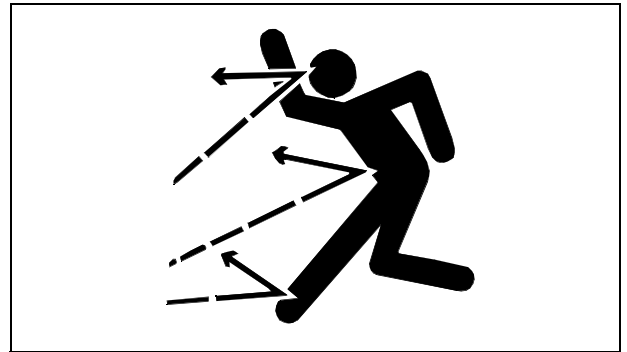
- Read this manual carefully before operating the MCS.
- Read all CAUTION and WARNING safety labels on MCS.
- Learn the use of all controls.
- Operator experience is required to learn the operating characteristics of the MCS.
- The owner of the machine is responsible for training the users of the machine.
- The owner/user can prevent and is responsible for accidents or injuries occurring to themselves, other people, or property.
- Do not allow operation of the machine by untrained persons.
- Read the operator manual and study the safety and operation sections before operating the machine.
- If the operator of the machine cannot read English, the machine owner's responsible to explain this material to the operator. This publication is available in other languages.
- Operate machine in an open, unobstructed area under the direction of an experienced operator.
- Learn the use of all controls.
- Operator experience is required to learn the moving, stopping, turning and other operating characteristics of the machine.

Wear Appropriate Clothing



- Wear close fitting clothing and safety equipment appropriate for the job.
- Loud noise can cause impairment or loss of hearing, wear a suitable protective device such as earplugs.
- Do not wear a radio or music headphones while servicing the machine. Safe servicing requires your full attention.

Operating Safely



- Inspect machine before you operate. Be sure hardware is tight. Repair or replace damaged, badly worn, or missing parts. Be sure guards and shields are in good condition and fastened in place. Make any necessary adjustments before you operate.
- Check before each use that operator presence controls are functioning correctly. Test safety systems. Do not operate unless they are functioning correctly.
- Do not change the engine governor setting or overspeed the engine.
- Check brake action before you operate. Adjust or service brakes as necessary.
- Clear work area of objects that might be thrown. Keep people and pets out of work area.
- Stop machine if anyone enters the area.
- Never raise mower decks when blades are running.
- If you hit an object, stop and inspect the machine. Make repairs before you operate. Keep machine and attachments properly maintained and in good working order.
- Do not leave machine unattended when it is running.
- Only operate during daylight or with good artificial light.
- Slow down and be careful of traffic when operating near or crossing roadways. Stop blades before crossing roads or sidewalks. Use care when approaching blind corners, shrubs, trees, or other objects that may obscure vision.
- Do not wear radio or music headphones while operating the machine. Safe operation requires your full attention.
- DO NOT operate vehicle while under the influence of drugs.
- Disengage PTO and stop engine when emptying the MCS.
- Allow only operator on vehicle. Keep riders off.
- DO NOT operate vehicle with MCS in the dump position.
- DO NOT mow with MCS near a ditch or embankment.

SAFETY

Rotating Blades are Dangerous - Protect Children and Prevent Accidents

PROTECT CHILDREN:

- Never assume that children will remain where you last saw them. Children are attracted to mowing activity, stay alert to the presence of children.
- Keep children in the house when you are operating the machine.
- Turn machine off if a child enters the mowing area.
- Use extra care when you come to blind corners, shrubs, trees, or other objects that may block your vision.
- DO NOT let children or an untrained person operate the machine.
- DO NOT carry or let children ride on vehicle or the MCS.
- DO NOT allow children to get inside or ride inside the MCS.

HELP PREVENT SERIOUS OR FATAL ACCIDENTS:

- Be alert at all times, drive forward carefully. People especially children can move quickly into the mowing area before you know it.
- Back carefully, field of vision is reduced when MCS is installed. Shut off PTO and look behind the vehicle carefully, especially for children, before you back up.
- DO NOT mow in reverse unless it is absolutely necessary.
- Shut off PTO when you are not mowing.
- DO NOT operate machine if you are under the influence of drugs.

- Never lubricate, service, or adjust machine while it is moving. Keep safety devices in place and in working condition. Keep hardware tight.
- Keep hands, feet, clothing, jewelry, and long hair away from any moving parts, to prevent them from getting caught.
- Lower attachments to the ground before servicing machine. Disengage all power and stop the engine. Lock park brake and remove the key. Let machine cool.
- Disconnect battery or remove spark plug wire before making any repairs.
- Securely support any machine elements that must be raised for service work.
- Never run engine unless park brake is locked.
- Keep all parts in good condition and properly installed. Fix damage immediately. Replace worn or broken parts. Replace all worn or damaged decals.
- Help prevent fires. Remove any buildup of grease, oil, or debris from the engine compartment and cutting units.
- Disconnect battery negative (-) cable before making adjustments on electrical systems or welding on machine.
- Charge batteries in an open, well-ventilated area, away from sparks. Unplug battery charger before connecting or disconnecting from the battery. Use insulated tools.
- Do not modify machine. Unauthorized modifications may impair its function and safety.
- Do not wear radio or music headphones while servicing the machine. Safe service requires your full attention.

Practice Safe Maintenance



- Understand service procedure before doing work. Keep area clean and dry.
- Only trained people should service the machine.

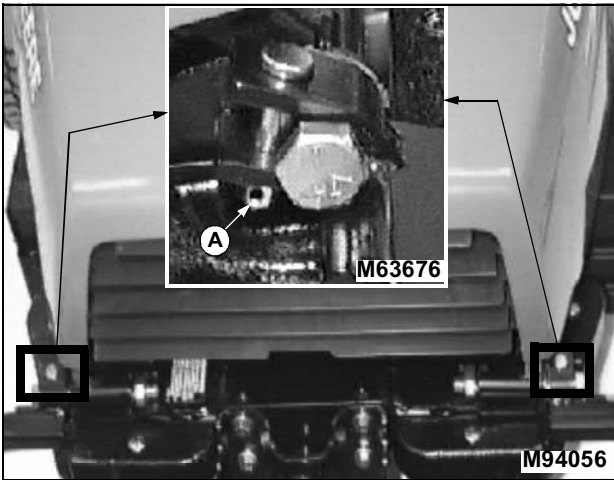
INSTALLING

Installing the MCS

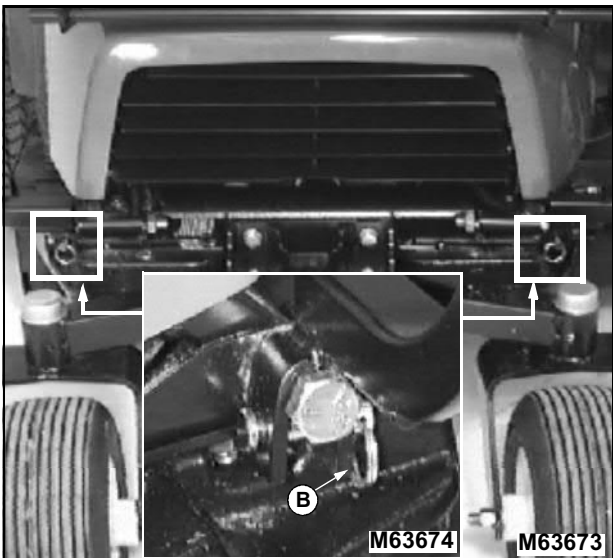


CAUTION: Avoid injury! Stop engine, remove key and wait for all moving parts to stop before installing the MCS.

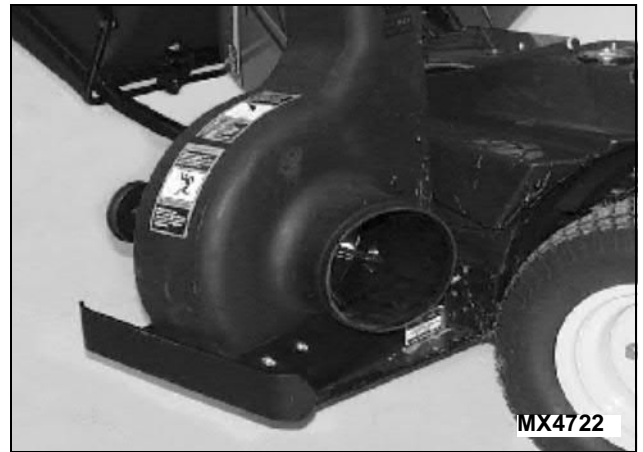
1. Park the vehicle safely. (See Parking Safely in the SAFETY section.)
2. Remove clevis pins from stored position in the rear frame assembly.
3. Install collection box and frame assembly onto each protruding hex bolt shaft as shown.



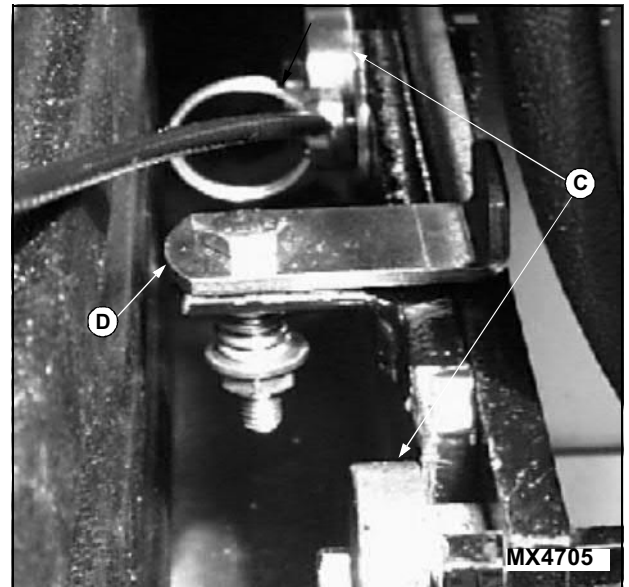
4. Insert clevis pin (A) from the top on each side of the rear frame assembly.



5. Install clevis pin locking rings (B) to secure collection box and frame assembly to the vehicle.
6. Raise and secure cowling in the open position.



7. Install blower onto the mounting bracket.



- Round mounting hardware (C) at the bottom of the blower assembly should be inserted into blower support bracket slots.

8. Rotate locking clip (D) as shown to secure blower to the blower mounting bracket.
9. Remove blower belt shield and hardware attached to the blower housing.



Suggest:

If the above button click is invalid.

Please download this document

first, and then click the above link

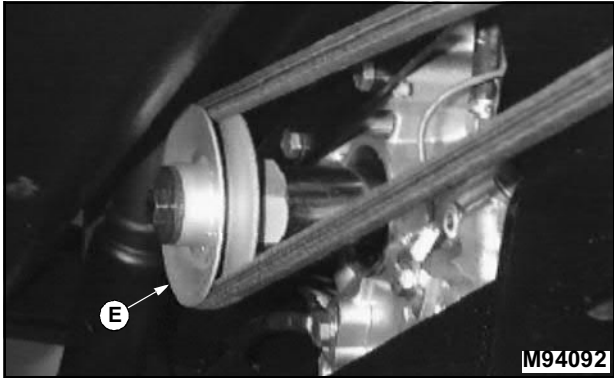
to download the complete manual.

Thank you so much for reading

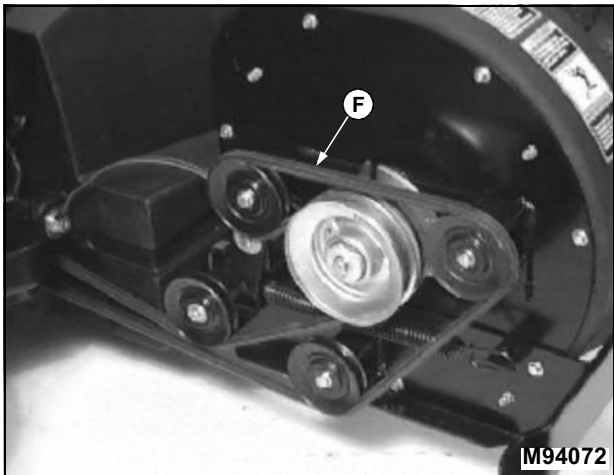
INSTALLING



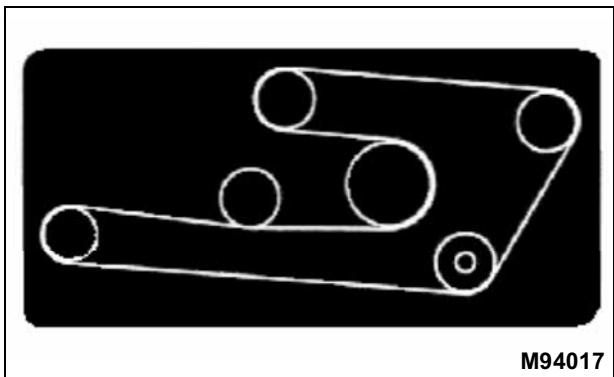
CAUTION: Avoid injury! Fingers or loose clothing can get caught in rotating parts. Shut off engine and remove the key. Do not start the engine when installing the MCS.



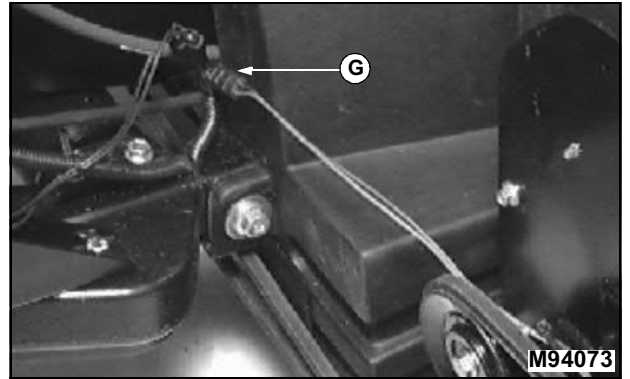
10. Install drive belt onto rear PTO drive sheave (E).



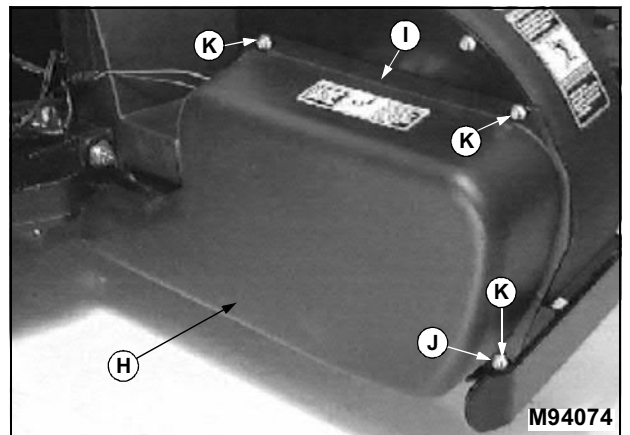
11. Install drive belt (F) onto blower sheaves, idler and electric clutch pulleys.



- If necessary see belt routing label inside of belt shield.



12. Plug in electrical connection (G) from blower PTO clutch assembly to corresponding plug on main wiring harness.



13. Fasten belt shield (H) to blower with the shield reinforcement strap (I), flat washer (J) and three locknuts (K).

14. Lower cowling.

15. Carefully raise collection box into position on top of cowling.

<https://www.ebooklibonline.com>

Hello dear friend!

Thank you very much for reading.

Enter the link into your browser.

The full manual is available for immediate download.

<https://www.ebooklibonline.com>