

**Material
Collection
System (MCS)
for F710 and F725
Front Mowers**
(Serial No. 10,001—)

**John Deere Horicon Works
OMM95863 Issue E1**

LITHO IN U.S.A.
ENGLISH

Introduction

THANK YOU for purchasing a John Deere product.

READ THIS MANUAL carefully to learn how to operate and service your Material Collection System (MCS) correctly. Failure to do so could result in personal injury or equipment damage.

THIS MANUAL SHOULD BE CONSIDERED a permanent part of your MCS and should remain with the MCS when you sell it.

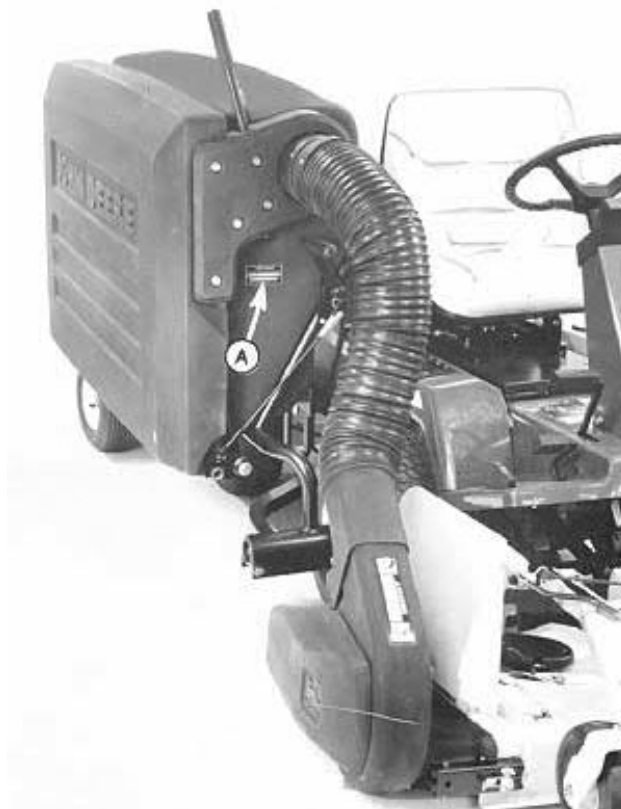
MEASUREMENTS in this manual are U.S. customary units and their metric equivalents.

RIGHT AND LEFT SIDES are determined by facing in the direction of forward travel.

WRITE MCS NUMBER: _____ See the picture below for location of the number (A). Accurately record the number to help trace the MCS if it is stolen. Your dealer also needs this number when you order parts. File the number in a safe place.

WARRANTY is provided as part of John Deere's support program for customers who operate and maintain their equipment as described in this manual. The warranty is explained on the warranty certificate which you should have received from your dealer.

This warranty provides you the assurance that John Deere will back its products where defects appear within the warranty period. In some circumstances, John Deere also provides field improvements, often without charge to the customer, even if the product is out of warranty. Should the equipment be abused, or modified to change its performance beyond the original factory specifications, the warranty will become void and field improvements may be denied. Setting fuel delivery above specifications or otherwise overpowering machines will result in such action.



A—MCS Number

1M73490
-UN-25APR91

Contents

	Page
Safety	1
Preparing the Front Mower	5
Installing the MCS	8
Removing and Storing the MCS	11
Operating the MCS	15
Troubleshooting	17
Service	18
Assembly	20

All information, illustrations and specifications in this manual are based on the latest information available at the time of publication. The right is reserved to make changes at any time without notice.

OMM95863 E1-19-14MAY91

COPYRIGHT© 1991
DEERE & COMPANY
Moline, Illinois
All rights reserved
A John Deere ILLUSTRATION™ Manual

<https://www.ebooklibonline.com>

Hello dear friend!

Thank you very much for reading.

Enter the link into your browser.

The full manual is available for immediate download.

<https://www.ebooklibonline.com>

Safety

RECOGNIZE SAFETY INFORMATION

This is the safety-alert symbol. When you see this symbol on your MCS or in this manual, read the safety message and be alert to the potential for personal injury.

Follow the recommended precautions and safe operating practices.



MX,SAGW,A -19-23MAY91

T81389 -UN-07DEC88

UNDERSTAND SIGNAL WORDS

A signal word—DANGER, WARNING, or CAUTION—is used with the safety-alert symbol. DANGER identifies the most serious hazards.

DANGER or WARNING safety signs are located near specific hazards. General precautions are listed on CAUTION safety signs. CAUTION also calls attention to safety messages in this manual.



DX,SIGNAL -19-04JUN90

TS187 -19-30SEP88

FOLLOW SAFETY INSTRUCTIONS

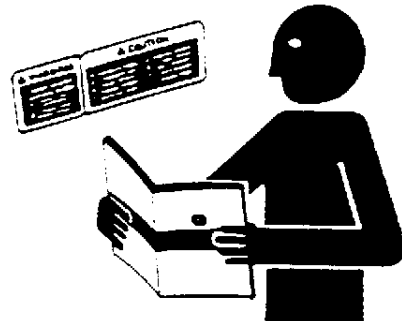
Carefully read all the safety messages in this manual and on your MCS safety sign. Keep the safety sign in good condition. Replace a missing or damaged safety sign.

Be sure new and repair parts have the current safety sign. A replacement safety sign is available from your John Deere dealer.

Learn how to operate the MCS and how to use controls properly. Do not let anyone operate the MCS without instruction.

Keep your MCS in proper working condition. Unauthorized modifications to the mower may impair the function and/or safety and affect mower life.

If you do not understand any part of this manual and need help, see your John Deere dealer.



MX,SAGW,B -19-23MAY91

M73113 -UN-06DEC88



INSPECT THE MCS BEFORE YOU OPERATE IT

Do not operate the MCS unless all parts are in good condition and fastened in place.

Check for loose, badly worn, damaged, or missing parts.

The controls must operate freely.

MX,SAGW,C -19-23MAY91

PROTECT CHILDREN

Before you back or turn the Front Mower, LOOK CAREFULLY FOR CHILDREN.

Do not let children get inside the MCS box.

Do not let children ride on the Front Mower or MCS.



IM62294 -UN-15MAR89

MX,SAGW,D -19-23MAY91

AVOID INJURY FROM THROWN OBJECTS

Clear the work area of objects that may be thrown.

Keep bystanders out of the work area.

Before you empty the MCS:

—STOP the Front Mower.

—Push the PTO switch down to the OFF position to stop the mower and Power Flow™.



IM41423 -UN-30AUG88

MX,SAGW,E -19-23MAY91



OPERATE THE MCS SAFELY

Allow only the operator on the Front Mower. Keep riders off the Front Mower and MCS.

Do not drive the Front Mower with the MCS in the dump position.

The MCS box holds 9 bu (0.3 m³) of clippings. Be aware that when the box is full, the weight of the MCS and clippings may affect the stability of the Front Mower on a slope. Use extra care when you turn or change direction on a slope. Do not use the MCS on a steep slope.

Be alert as you operate the MCS. Notice unusual sounds. Especially learn the sounds of the MCS and mower when the box is filling and when it is full.

The MCS box may block some of your vision to the right. Be alert for people—**ESPECIALLY CHILDREN**—coming into this area.

Slow down before you make a turn.

Empty and clean the MCS at the end of each day's operation.

MX,SAGW,F -19-23MAY91

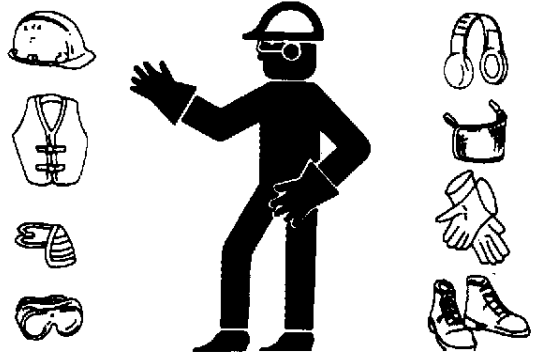
WEAR THE RIGHT CLOTHING AND EQUIPMENT

Wear close fitting clothing and safety equipment to fit the job.

Prolonged exposure to loud noise can cause impairment or loss of hearing.

Wear earmuffs or earplugs to protect against loud noise.

Operating equipment safely requires the full attention of the operator. Do not wear radio or music headphones while you operate the Front Mower.



TSS206 -UN-23AUG88

MX,SAFR,L -19-07JAN91



STORE OR PARK THE MCS SAFELY

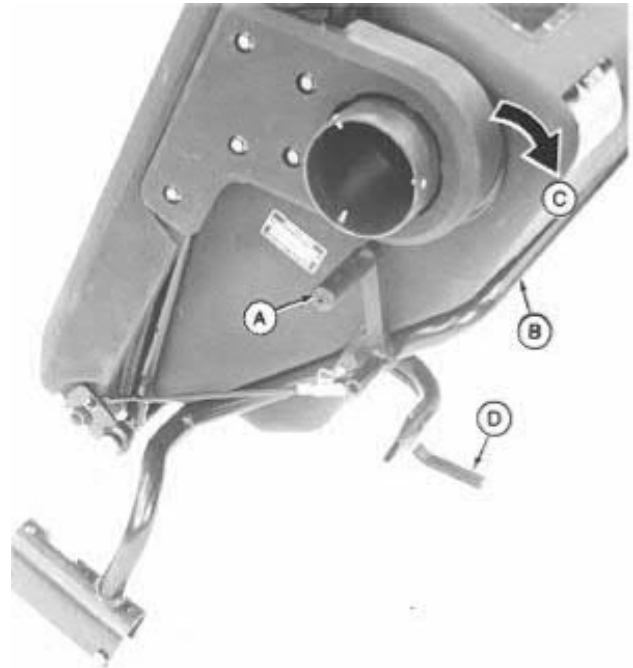
The MCS standing in vertical position by itself is not stable without proper support. It could fall and cause personal injury.

DO NOT leave the MCS unattended in the vertical position. Put it in the PARK or STORAGE position shown at right.

To put the MCS in the PARK or STORAGE position:

- Check to be sure the lid latch lever (A) is in the CLOSED position—all the way to the right.
- Stand next to the MCS, facing the mid-left side.
- Put your left hand on the frame (B).
- Pull the MCS toward you (C) with your right hand.
- Use the left hand to lower the MCS onto the parking stand (D).

DO NOT lift the lid while the MCS is in the PARK or STORAGE position. The MCS could tip over and cause personal injury. Lower the MCS onto its side before you OPEN the lid.



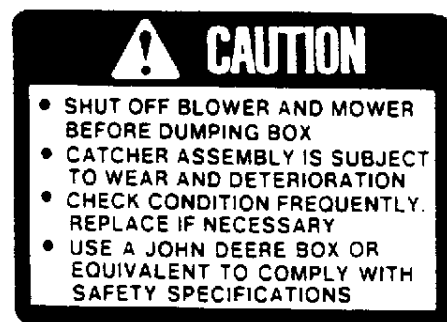
Park or Storage Position

MX,SAGW,G -19-23MAY91

M73494 -JUN-25APR91

READ THE SAFETY SIGN

The safety sign is on the left, front of the box.



MX,SAGW,H -19-23MAY91

M73507 -19-25APR91

Preparing the Front Mower

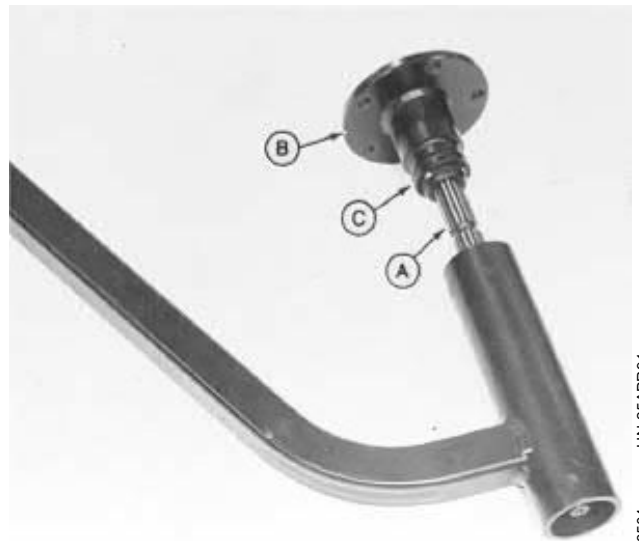
PREPARE THE MOWER

1. Remove parts from the MCS box while the MCS is on its side.
2. Before you install the Power Flow on the mower, install the Wear Strap Kit. This kit is furnished with the Power Flow. Instructions are included with the kit.
3. Remove your 48 or 54-Inch Mower from the Front Mower.
4. Install the Power Flow on the mower. Follow instructions in the Power Flow Operator's Manual for installing the Power Flow.

MX, PFGW, A -19-23MAY91

INSTALL THE HUB ASSEMBLY ON THE WHEEL

1. Remove the spindle shaft (A) from the hub assembly (B):
 - Push the collar (C) back off the bearing as shown.
 - Pull the shaft out of the hub assembly.
 - Pull the collar back to cover the bearing.



M73504 -UN-25APR91

MX, PFGW, B -19-23MAY91



CAUTION: The right, front axle must be safely supported before you remove the five right, front wheel bolts. The wheel could come off when you remove the bolts. The Front Mower could then fall and cause personal injury.

2. Put a floor jack or blocks under the right, front axle of the Front Mower.
3. Remove the five bolts holding the right, front wheel. Save the five bolts for use when you remove the MCS.
4. Install the hub assembly (A) with five 7/16 x 1-1/4-in. bolts (B). Tighten the bolts to 65 lb-ft (90 N·m).



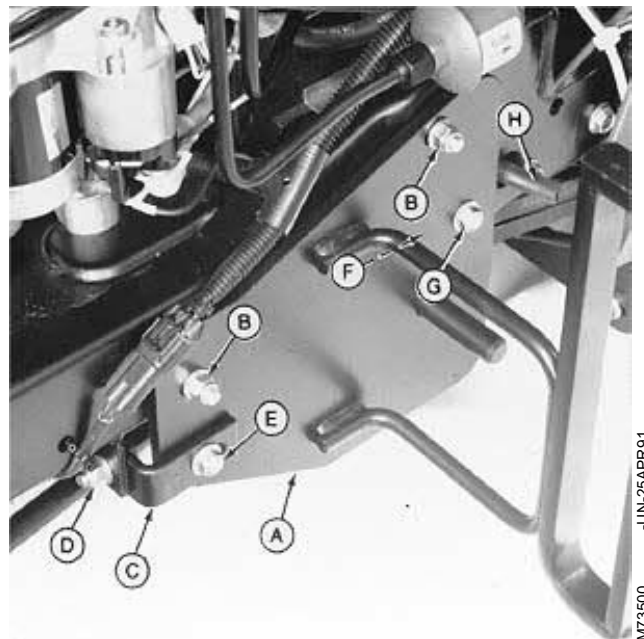
M73501 -UN-25APR91

MX, PFGW, C -19-23MAY91

INSTALL THE BRACKET ON THE FRAME

NOTE: DO NOT TIGHTEN HARDWARE in this procedure until after you install the stabilizer and spindle. See the next procedure.

1. Remove the battery from the Front Mower.
2. Hold the bracket (A) against the Front Mower frame as shown.
3. Install the two M10 x 30 round-head bolts and lock nuts (B), with bolt heads inside the frame.
4. Install the guide-strap (C) to the frame guide with a M10 x 30 hex-head/flange bolt (with head inside the guide) and lock nut (D).
5. Install M10 x 30 hex-head/flange bolt (E) (with head to the outside) and lock nut.
6. Hold the strap (F, approximately 32 x 60 mm) on the inside of the frame so the threaded hole in the strap lines up with holes in the frame and bracket. Install an M10 x 30 hex-head/flange bolt (G) into the threaded hole.
7. Install the battery with the overflow hose (H) routed through the frame as shown.



INSTALL THE STABILIZER AND SPINDLE

1. Apply multipurpose grease to the inside of the hole (A) in the end of the stabilizer.
2. Push the collar (B) of the coupler in toward the hub assembly.
3. Install the spindle shaft (C) in the coupler, and push the shaft a short distance into the hub assembly.
4. Install the end of the stabilizer on the bracket shaft (D). Hardware should be loose enough to allow you to move the frame bracket, if necessary.
5. Push the spindle shaft until the balls in the bearing (under the collar) retract as far as they can.
6. Pull the collar out to cover the bearing.
7. Tighten all the frame bracket hardware.



M73499 -UN-25APR91

MX, PFGW, E -19-23MAY91



Suggest:

If the above button click is invalid.

Please download this document

first, and then click the above link

to download the complete manual.

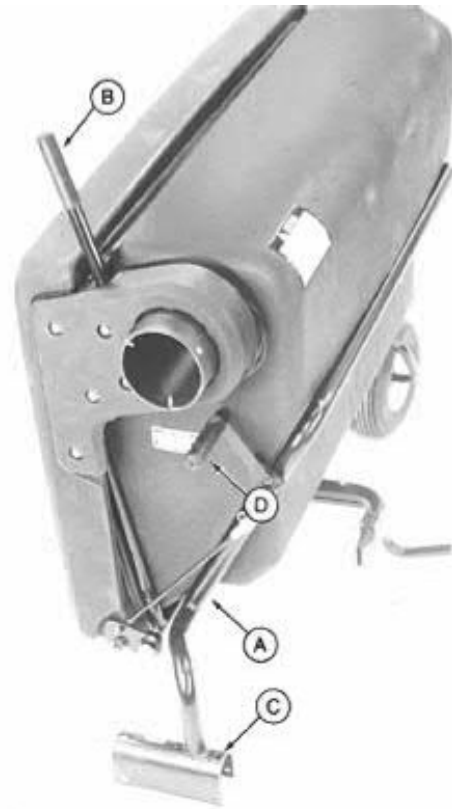
Thank you so much for reading

Installing the MCS

INSTALLING THE LEFT FRAME EXTENSION IN THE BRACKET

- ⚠ CAUTION:** The MCS in vertical position (shown) is not stable without proper support. It could fall and cause personal injury. If necessary, use two people to wheel the MCS into position and install it. To move the MCS:
- Check to be sure the lid latch lever (D) is in the CLOSED position.
 - Lift with the right hand on the frame at A.
 - Hold the lever (B) with the left hand to keep the MCS from moving side-to-side.

1. If necessary, lift the MCS to vertical position, so it stands on its wheel and front frame (C).



MX.IMGW.A -19-23MAY91

M73505 -UN-25APR91

2. Lift the front of the MCS and wheel it alongside the Front Mower so the left frame extension (A) fits into the bracket (B).



MX.IMGW.B -19-23MAY91

M73503 -UN-25APR91

<https://www.ebooklibonline.com>

Hello dear friend!

Thank you very much for reading.

Enter the link into your browser.

The full manual is available for immediate download.

<https://www.ebooklibonline.com>