


JOHN DEERE
WORLDWIDE COMMERCIAL & CONSUMER
EQUIPMENT DIVISION

Lawn Tractors
LT133, LT155 and LT166
045,001 -)

OPERATOR'S MANUAL



 **WARNING:** The Engine Exhaust from this product contains chemicals known to the State of California to cause cancer, birth defects or other reproductive harm.

California Proposition 65 Warning

OMM139992 J9

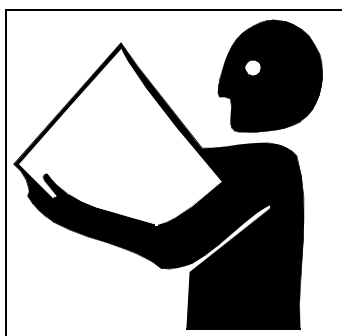
North American Version
Litho in U.S.A.

INTRODUCTION

Thank You for Purchasing a John Deere Product

We appreciate your business and wish you many years of safe and satisfied use of your machine.

Using Your Operator's Manual



This manual is an important part of your machine and should remain with the machine when you sell it.

Reading your operator's manual will help you and others avoid personal injury or damage to the machine. Information given in this manual will provide the operator with the safest and most effective use of the machine. Knowing how to operate this machine safely and correctly will allow you to train others who may operate this machine.

Sections in your operator's manual are placed in a specific order to help you understand all the safety messages and learn the controls so you can operate this machine safely. You can also use this manual to answer any specific operating or servicing questions. A convenient index located at the end of this book will help you to find needed information quickly.

The machine shown in this manual may differ slightly from your machine, but will be similar enough to help you understand our instructions.

RIGHT-HAND and LEFT-HAND sides are determined by facing in the direction the machine will travel when going forward. When you see a broken line arrow (----->), the item referred to is hidden from view.

Special Messages

Your manual contains special messages to bring attention to potential safety concerns, machine damage as well as helpful operating and servicing information. Please read all the information carefully to avoid injury and machine damage.



CAUTION: Avoid injury!

This symbol and text highlight potential hazards or death to the operator or bystanders that may occur if the hazards or procedures are ignored.

IMPORTANT: Avoid machine damage! This text is used to tell the operator of actions or conditions that might result in damage to the machine.

NOTE: General information is given throughout the manual that may help the operator in the operation or service of the machine.

CALIFORNIA Proposition 65 Warning



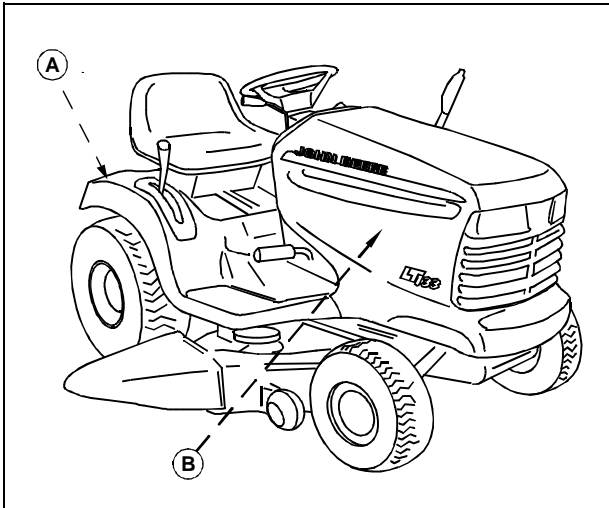
WARNING: The Engine Exhaust from this product contains chemicals known to the State of California to cause cancer, birth defects or other reproductive harm.

PRODUCT IDENTIFICATION

Record Identification Numbers

If you need to contact an Authorized Service Center for information on servicing, always provide the product model and serial number.

You will need to locate the serial number for the machine and for the engine. Record the information in the spaces provided below.



DATE OF PURCHASE:

DEALER NAME:

DEALER PHONE:

PRODUCT IDENTIFICATION NUMBER (A):

ENGINE SERIAL NUMBER (B):

<https://www.ebooklibonline.com>

Hello dear friend!

Thank you very much for reading.

Enter the link into your browser.

The full manual is available for immediate download.

<https://www.ebooklibonline.com>

TABLE OF CONTENTS

Contents

Safety	1
Operating - Machine	8
Replacement Parts	21
Service Interval Chart	22
Service - Lubrication	23
Service - Engine	24
Service - Mower	30
Service - Electrical	40
Service - Miscellaneous	43
Troubleshooting	45
Storing Machine	49
Assembly	51
Specifications	53
Warranty	57
Index	60
Service Record	63
John Deere Quality Statement	64

All information, illustrations and specifications in this manual are based on the latest information at the time of publication. The right is reserved to make changes at any time without notice.

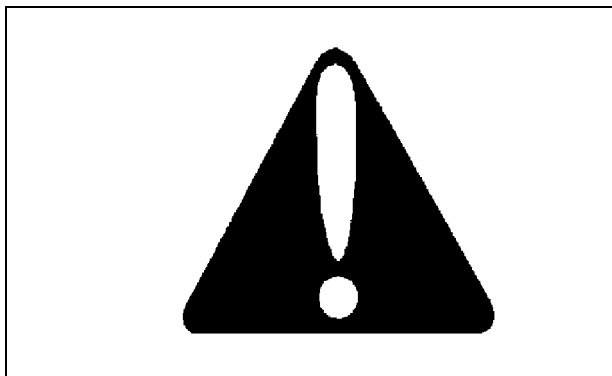
English

COPYRIGHT© 1999
Deere & Co.
John Deere Worldwide Commercial and
Consumer Equipment Division
Horicon, WI
All rights reserved
Previous Editions
COPYRIGHT© 1997, 1998

OMM139992 J9

SAFETY

Understanding The Machine Safety Labels

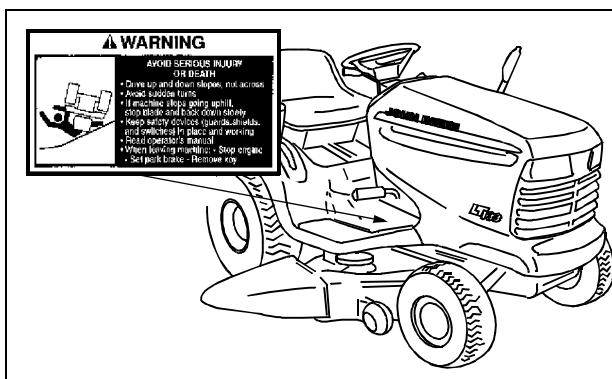


The machine safety labels shown in this section are placed in important areas on your machine to draw attention to potential safety hazards.

On your machine safety labels, the words DANGER, WARNING, and CAUTION are used with this safety-alert symbol, (▲). DANGER identifies the most serious hazards.

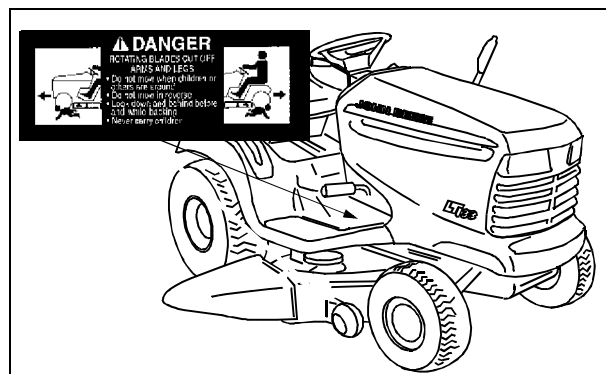
The operator's manual also explains any potential safety hazards whenever necessary in special safety messages that are identified with the word, CAUTION, and the safety-alert symbol, (▲).

WARNING: AVOID SERIOUS INJURY OR DEATH



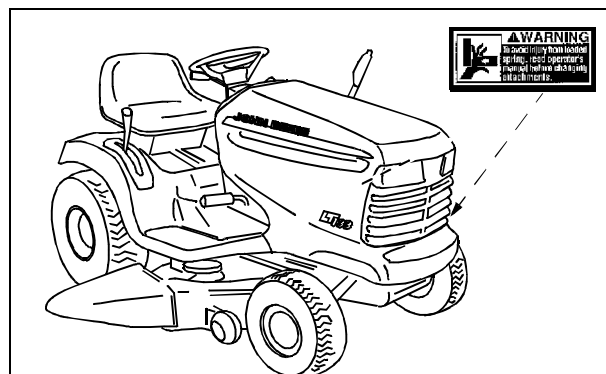
- Drive up and down slopes, not across.
- Avoid sudden turns.
- If machine stops going uphill, stop blade and back down slowly.
- Keep safety devices (guards, shields, and switches) in place and working.
- Read Operator's Manual.
- When leaving machine: Stop engine, Set park brake, Remove key.

DANGER: ROTATING BLADES CUT OFF ARMS AND LEGS



- Do not mow when children or others are around.
- Do not mow in reverse.
- Look down and behind before and while backing.
- Never carry children.

WARNING

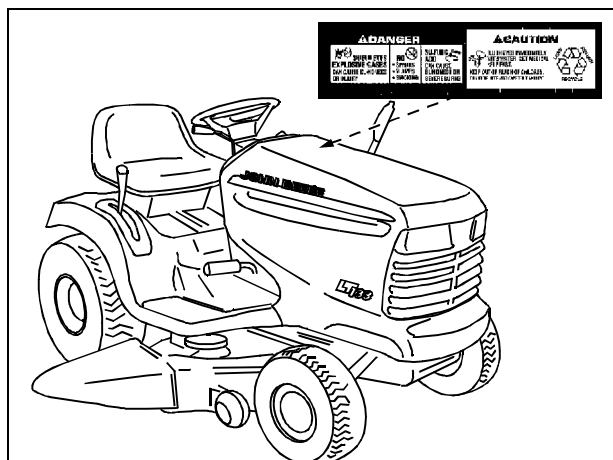


Picture Note: Label is located on Left-Hand Side of Tractor Frame with 48C Deck and when Optional Lift Assist Kit is installed on 38-Inch or Freedom42 Deck

- To avoid injury from loaded spring, read Operator's Manual before changing attachment.

SAFETY

DANGER: SHIELD EYES-EXPLOSIVE GASES CAN CAUSE BLINDNESS OR INJURY



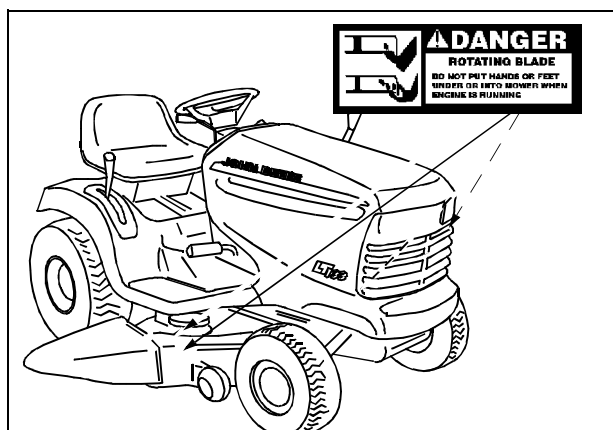
Picture Note: Label is located on battery

- No sparks, flames, smoking.
- Sulfuric acid can cause blindness or severe burns.

CAUTION: FLUSH EYES IMMEDIATELY WITH WATER

- Get medical help fast.
- Keep out of reach of children.
- Do not tip.
- Keep vent caps tight and level.

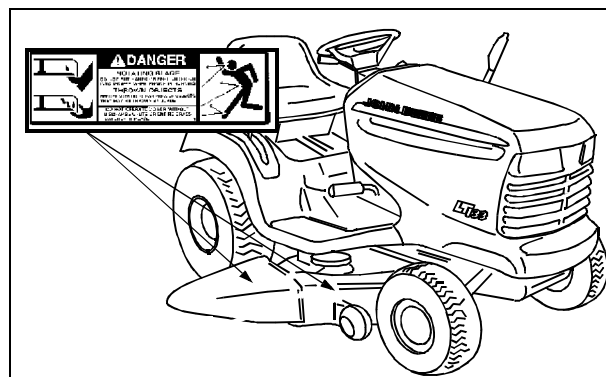
DANGER: ROTATING BLADE



Picture Note: 38-Inch Deck used for Illustration. Labels are located on: Left-Hand Side of ALL Decks (and) Right-Hand Side of Freedom42 Deck

- Do not put hands or feet under or into mower when engine is running.

DANGER: ROTATING BLADE



Picture Note: Labels are located on Discharge Chute and Right-Hand Side of 38-Inch and 48C Deck

- Do not put hands or feet under or into mower when engine is running.
- Thrown objects.
- Before mowing, clear area of objects that may be thrown by blade.
- Do not operate mower without discharge chute or entire grass catcher in place.

Certification Label

This OPEI label on your mower indicates that this model has been certified by an independent laboratory for compliance with American National Standard B-71.1, "Safety Specifications" for Power Lawn Mowers, Lawn and Garden Tractors, and Lawn Tractors.

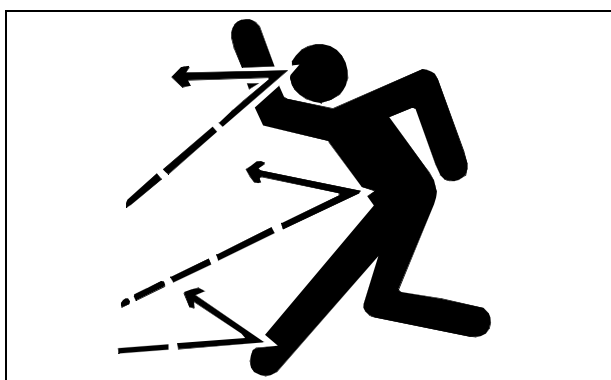
Operating Safely

- Check brake action before you operate. Adjust or service brakes as necessary.
- Inspect machine before you operate. Be sure hardware is tight. Repair or replace damaged, badly worn, or missing parts. Be sure guards and shields are in good condition and fastened in place. Make any necessary adjustments before you operate.
- Stop machine if anyone enters the area.
- If you hit an object, stop the machine and inspect it. Make repairs before you operate. Keep machine and attachments properly maintained and in good working order.
- Do not leave machine unattended when it is running.
- Only operate during daylight or with good artificial light.

SAFETY

- Be careful of traffic when operating near or crossing roadways.
- Do not wear radio or music headphones while operating the machine. Safe operation requires your full attention.
- Older adults are involved in a large percentage of riding mower accidents involving injury. These operators should evaluate their ability to operate a mower safely enough to protect the operator and others from serious injury.

Checking Mowing Area



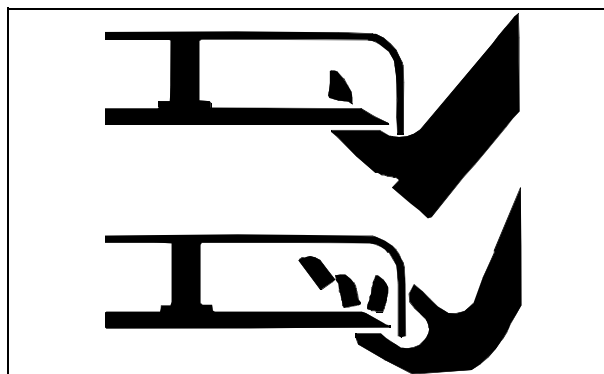
- Clear mowing area of objects that might be thrown. Keep people and pets out of mowing area.
- Study mowing area. Set up a safe mowing pattern. Do not mow where traction or stability is doubtful.
- Test drive area with mower lowered but not running. Slow down when you travel over rough ground.

Parking Safely

1. Stop machine on a level surface, not on a slope.
2. Disengage mower blades.
3. Lower attachments to the ground.
4. Lock the park brake.
5. Stop the engine.
6. Remove the key.
7. Wait for engine and all moving parts to stop before you leave the operator's seat.

Rotating Blades are Dangerous

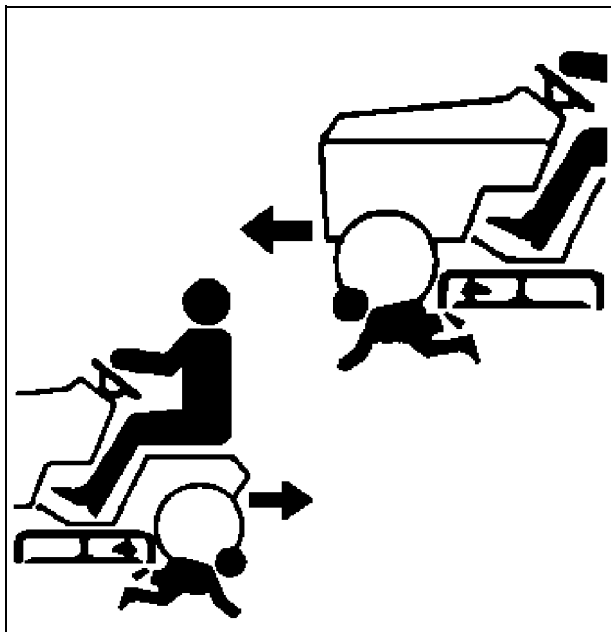
HELP PREVENT SERIOUS OR FATAL ACCIDENTS:



- Rotating blades can cut off arms and legs.
- Keep hands, feet and clothing away from mower deck when engine is running.
- Be alert at all times, drive forward carefully. People, especially children can move quickly into the mowing area before you know it.
- Before backing up, shut off PTO and look behind the machine carefully, especially for children.
- Do not mow in reverse.
- Shut off blades when you are not mowing.
- Do not operate machine if you are under the influence of drugs or alcohol.
- Park machine safely before inspecting or unplugging mower or bagger.

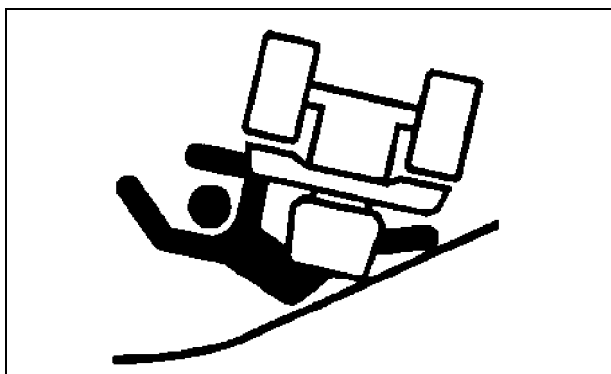
SAFETY

PROTECT CHILDREN:



- Never assume that children will remain where you last saw them. Children are attracted to mowing activity, stay alert to the presence of children.
- Keep children out of the area when you are mowing. Turn the machine off if a child enters the mowing area.
- Use extra care when you come to blind corners, shrubs, trees, or other objects that may block your vision.
- Do not let children or an untrained person operate the machine.
- Do not carry or let children ride on machine or any attachment. Do not tow children in a cart or trailer.

Avoid Tipping



- Do not drive where machine could slip or tip.
- Stay alert for holes and other hidden hazards in the terrain.

- Keep away from drop-offs.
- Slow down before you make a sharp turn or operate on a slope.
- Limit loads to those you can safely control. Use only approved hitches when pulling loads or using heavy equipment. Use counterweights or wheel weights as required in this manual or your attachment manual.
- Use wheel weights for added stability when operating on slopes or using rear mounted attachments.
- Drive up and down a hill - not across. Be careful when you change direction on a slope.
- Do not stop when going up hill or down hill. If machine stops going up hill, disengage mower blades and back down slowly.
- Mowing when grass is wet can cause reduced traction and sliding.
- Do not try to stabilize the machine by putting your foot on the ground.

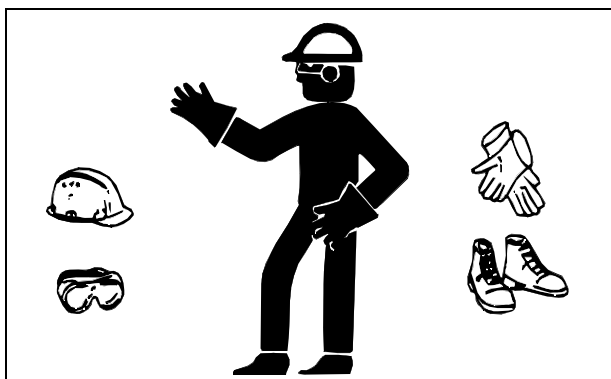
Keep Riders Off



- Only allow the operator on the machine. Keep riders off.
- Riders on the machine or attachment may be struck by foreign objects or thrown off the machine causing serious injury.
- Riders obstruct the operator's view resulting in the machine being operated in an unsafe manner.

SAFETY

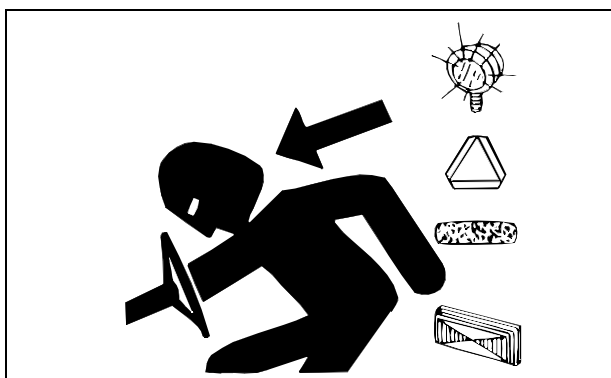
Wear Appropriate Clothing



- Wear close fitting clothing and safety equipment appropriate for the job.
- Wear a suitable protective device such as earplugs. Loud noise can cause impairment or loss of hearing.
- Do not wear radio or music headphones. Safe service and operation requires your full attention.

Driving Safely on Public Roads

Avoid personal injury or death resulting from a collision with another vehicle on public roads:



- Use safety lights and devices. Slow moving machines when driven on public roads are hard to see, especially at night.
- Whenever driving on public roads, use flashing warning lights and turn signals according to local regulations. Extra flashing warning lights may need to be installed.

Practice Safe Maintenance

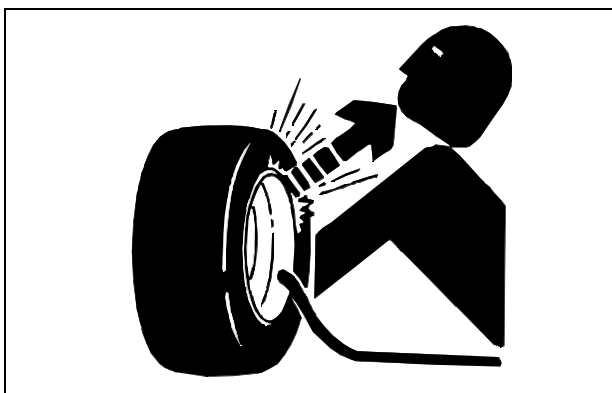


- Understand service procedure before doing work. Keep area clean and dry.
- Never lubricate, service, or adjust machine while it is moving. Keep safety devices in place and in working condition. Keep hardware tight.
- Keep hands, feet, clothing, jewelry, and long hair away from any moving parts, to prevent them from getting caught.
- Lower attachments to the ground before servicing machine. Disengage all power and stop the engine. Lock park brake and remove the key. Let machine cool.
- Securely support any machine elements that must be raised for service work.
- Never run engine unless park brake is locked.
- Keep all parts in good condition and properly installed. Fix damage immediately. Replace worn or broken parts. Remove any buildup of grease, oil, or debris.
- Disconnect battery negative (-) cable before making adjustments on electrical systems or welding on machine.
- Do not modify machine. Unauthorized modifications may impair its function and safety.
- Do not wear radio or music headphones while servicing the machine. Safe service requires your full attention.

SAFETY

Tire Safety

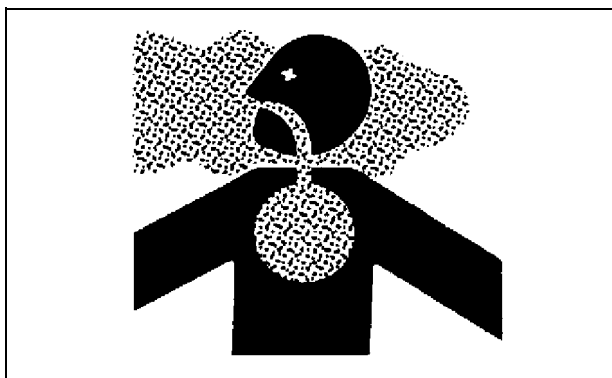
Explosive separation of a tire and rim parts can cause serious injury or death:



- Do not attempt to mount a tire without the proper equipment and experience to perform the job.
- Always maintain the correct tire pressure. Do not inflate the tires above the recommended pressure. Never weld or heat a wheel and tire assembly. The heat can cause an increase in air pressure resulting in a tire explosion. Welding can structurally weaken or deform the wheel.
- When inflating tires, use a clip-on chuck and extension hose long enough to allow you to stand to one side and NOT in front of or over the tire assembly.
- Check tires for low pressure, cuts, bubbles, damaged rims or missing lug bolts and nuts.

Handling Fuel Safely

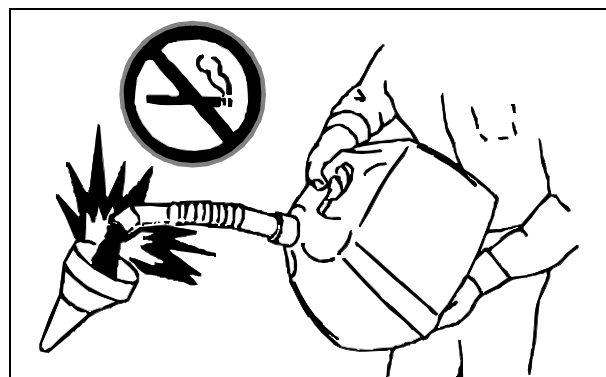
Fuel and fuel vapors are highly flammable:



- DO NOT refuel machine while you smoke, when machine is near an open flame or sparks, or when engine is running. STOP engine.
- Fill fuel tank outdoors.
- Prevent fires: clean oil, grease and dirt from machine.

Clean up spilled fuel immediately.

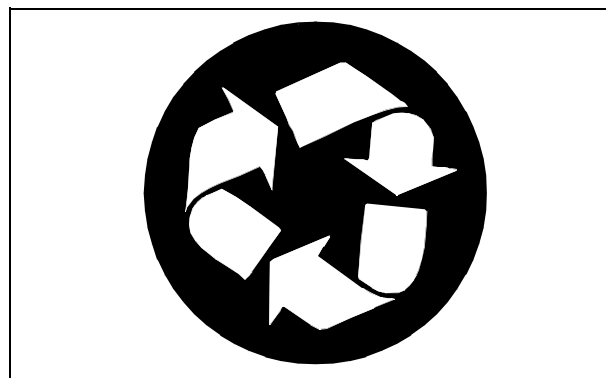
- Do not store machine with fuel in tank in a building where fumes may reach an open flame or spark.



- To prevent fire and explosion caused by static electric discharge, while you fill tank, use a non-metal fuel container. If you use a funnel, MAKE SURE it is PLASTIC and has a plastic mesh strainer. Avoid using a funnel which has a metal screen or filter.
- Use only clean approved containers and funnels.
- Store oil and fuel in an area protected from dust, moisture and other contamination.
- DO NOT use METHANOL gasoline. METHANOL is harmful to the environment and to your health.

Handling Waste Product and Chemicals

Waste products, such as, used oil, fuel, coolant, brake fluid, and batteries, can harm the environment and people:



- DO NOT use beverage containers for waste fluids - someone may drink from them.
- See your local Recycling Center or John Deere dealer to learn how to recycle or get rid of waste products.
- A Material Safety Data Sheet (MSDS) provides specific details on chemical products: physical and health hazards,

SAFETY

safety procedures, and emergency response techniques.
The seller of the chemical products used with your machine
is responsible for providing the MSDS for that product.

OPERATING - MACHINE

Daily Operating Checklist

- Test safety systems.
- Check tire pressure.
- Check fuel level.
- Check engine oil level.
- Remove grass and debris from machine.
- Clean air intake screen.
- Check area below machine for leaks.

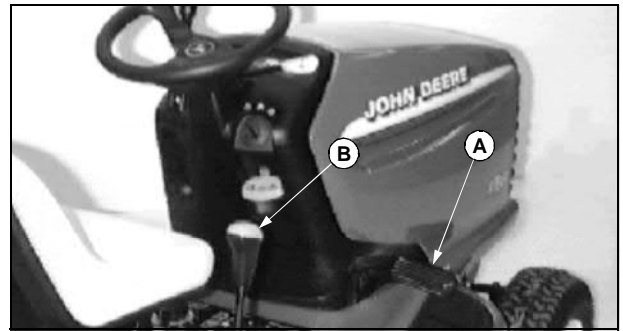
Avoid Damage to Plastic and Painted Surfaces

- Do not wipe plastic parts unless rinsed first.
- Insect repellent spray may damage plastic and painted surfaces. Do not spray insect repellent near machine.
- Be careful not to spill fuel on machine. Fuel may damage surface. Wipe up spilled fuel immediately.

Operator Station

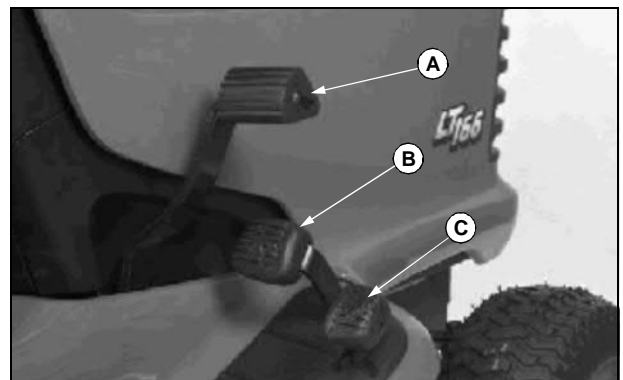


- A - Mower Engagement Lever
- B - Key Switch
- C - Park Brake Lever
- D - Reverse Implement Option (RIO) Switch
- E - Choke Knob (LT166 Only)
- F - Throttle Lever
- G - Lift Lever
- H - Mower Height Control Knob



Picture Note: LT133

- A - Brake/Clutch Pedal
- B - Transmission Shift Lever

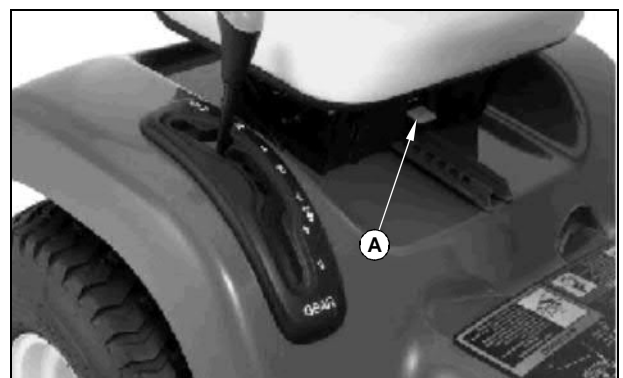


Picture Note: LT155 and LT166

- A - Brake Pedal
- B - Forward Travel Pedal
- C - Reverse Travel Pedal

Adjusting Seat

To adjust seat position:

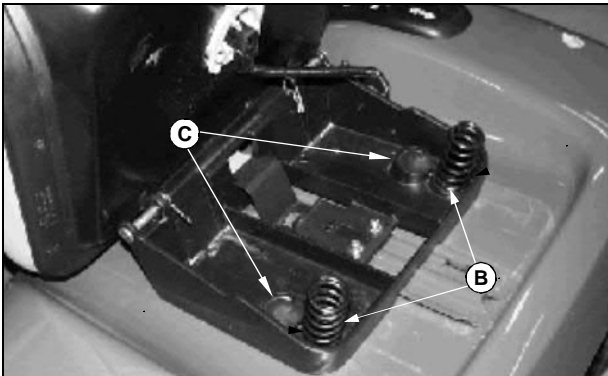


1. Pull lever (A) up, out of locked position.
2. Slide seat forward or rearward to desired position.
3. Release lever.

OPERATING - MACHINE

To adjust seat for ride comfort:

Lift seat, unscrew and move springs to desired position as follows:



- Install both springs into front position (C) for softest ride.
- Install both springs into rear position (B) for firm ride.
- Install springs in all four positions (B and C) for the firmest ride. (Order additional springs from your John Deere dealer.)

Adjusting Cutting Height

NOTE: Lift lever should be in transport position before turning cutting height knob.

Cutting height can be adjusted from approximately 25–100 mm (1–4 in). When lift lever is in transport position, cutting height is approximately 100 mm (4 in).

1. Put lift lever in transport position.



2. Turn cutting height knob (A) to desired cutting height. Mower will be at that cutting height when it is lowered.
3. Adjust mower wheels.

Adjusting Mower Wheels

CAUTION: Avoid injury from contact with rotating blades. Before adjusting or servicing mower:

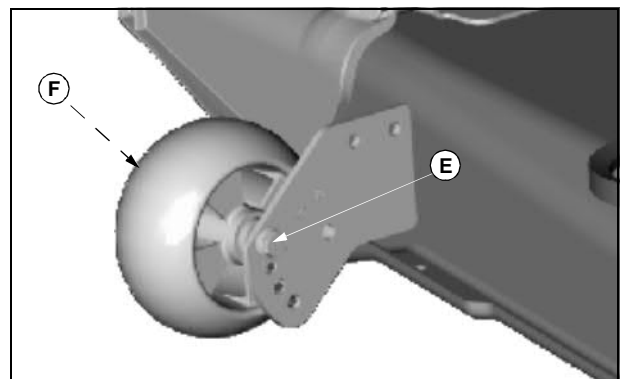
- Disconnect spark plug wire(s).
- Wear gloves.

IMPORTANT: Avoid machine damage which can result from incorrectly adjusted mower wheels:

- Wheels must not ride on ground supporting mower weight.
- Check wheel adjustment each time cutting height is changed.

1. Park machine safely on a level surface.
2. Inflate tires to the correct pressure.
3. Move lift lever to the transport position and adjust cutting height.
4. Move lift lever to the mowing position.

NOTE: Bottom of wheels should be approximately 3-13 mm (1/8-1/2 in.) from the ground.



5. Check mower wheel position. Remove bolt (E) and nut (F) on wheels and move wheels to proper hole.



Suggest:

If the above button click is invalid.

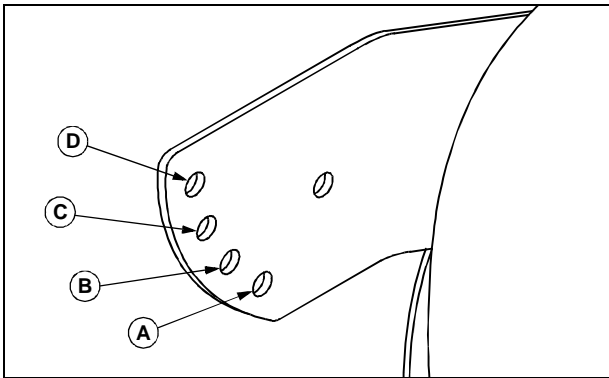
Please download this document

first, and then click the above link

to download the complete manual.

Thank you so much for reading

OPERATING - MACHINE



6. Install bolts and nuts and tighten to:

- **38-Inch:** 47 N•m (35 lb-ft)
- **Freedom42:** 34 N•m (25 lb-ft)
- **48C:** 34 N•m (25 lb-ft)

Hole	38-In. and 48C Deck	Freedom42 Deck
A	64 mm (2.5-In.) and above	76 mm (3-In.) and above
B	51 mm (2-In.)	64 mm (2.5-In.)
C	38 mm (1.5-In.)	51 mm (2-In.)
D	25 mm (1-In.)	38 mm (1.5-In.)

Adjusting Mower Level (Side-to-Side)



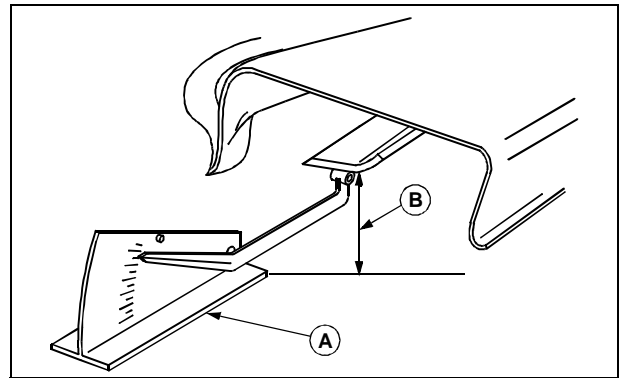
CAUTION: Avoid injury from contact with rotating blades. Before adjusting or servicing mower:

- Disconnect spark plug wire(s).
- Wear gloves.

NOTE: Mower wheels should not contact the ground when leveling the deck.

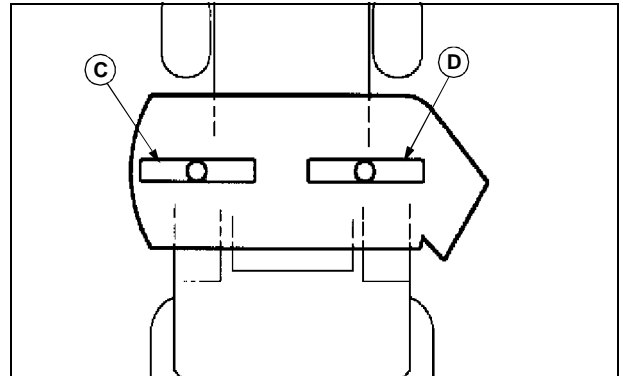
1. Park machine safely on a level surface.
2. Inflate tires to the correct pressure.
3. Adjust cutting height to 50 mm (2 in).
4. Put lift lever in mowing position.

NOTE: The difference between blade measurements must not be more than 3 mm (1/8 in).



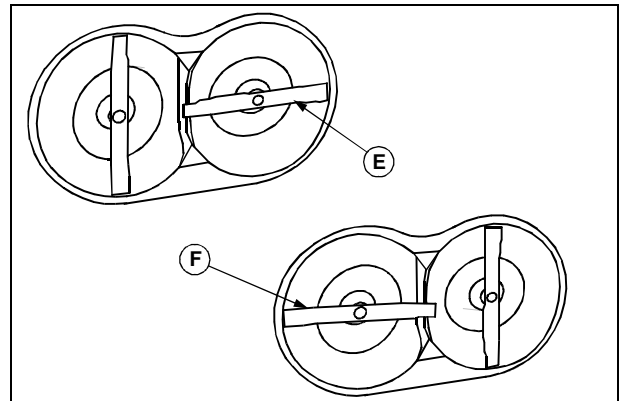
Picture Note: A convenient leveling gauge (A) is available from your John Deere dealer.

5. Position mower blades as follows and measure from each outside blade tip (B) to the level surface:



- 38-inch and 48C mowers:

Turn left blade (C) as shown. Hold drive belt and turn right blade (D) as shown. Take measurement for both blades.



Picture Note: Underside of deck shown.

- Freedom42 mulching mower:

Turn blade (E) as shown. Take measurement. Rotate blades 90° so that blade (F) is positioned as shown. Take measurement.

<https://www.ebooklibonline.com>

Hello dear friend!

Thank you very much for reading.

Enter the link into your browser.

The full manual is available for immediate download.

<https://www.ebooklibonline.com>