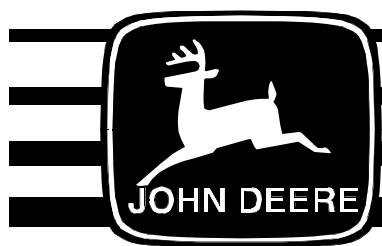


# Hydraulic Dump Material Collection System (MCS) For 4200, 4300 and 4400 Tractors

Serial No. (010001 -)



## OPERATOR'S MANUAL

**John Deere**  
**Worldwide Commercial And**  
**Consumer Equipment Division**  
**OMM139550 E9**

North American  
Litho in U.S.A.  
English

# INTRODUCTION

---

**THANK YOU** for purchasing a John Deere product.

Read this manual thoroughly. Failure to do so could result in personal injury or equipment damage.

This manual should be considered a permanent part of your machine and should remain with the machine when you sell it.

Measurements in this manual are metric units and their U.S. customary equivalents. RIGHT-HAND and LEFT-HAND sides are determined by facing in the direction the machine will travel when going forward. When you see a broken line arrow (--->), it indicates the part it is pointing to is hidden.

Record identification numbers below. Be sure to record all the numbers to help in tracing the machine if it is stolen. You also need to give these numbers to your dealer when you order parts.



**DATE OF PURCHASE:**

\_\_\_\_\_

**DEALER NAME:**

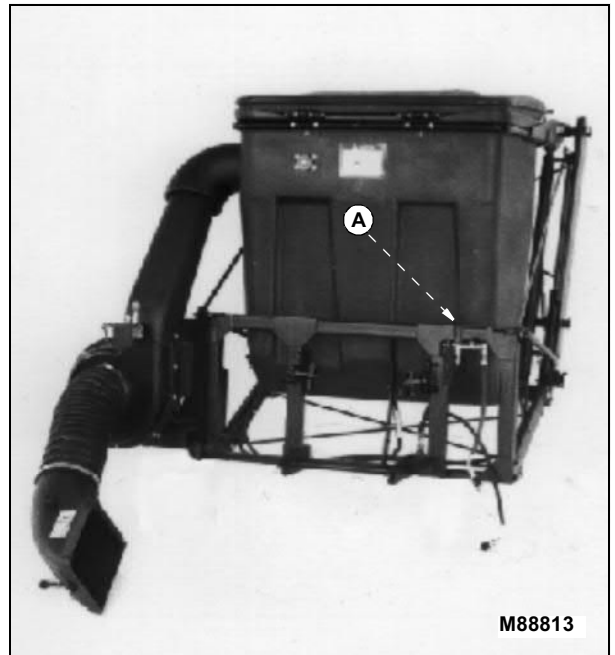
\_\_\_\_\_

**DEALER PHONE:**

\_\_\_\_\_

**PRODUCT IDENTIFICATION NUMBER (A):**

-----



M88813

# TABLE OF CONTENTS

---

Safety Signs . . . . .	1
Installing . . . . .	3
Removing . . . . .	7
Operating . . . . .	10
Service Machine Safely . . . . .	18
Service . . . . .	20
Troubleshooting . . . . .	23
Storing Machine . . . . .	25
Assembly . . . . .	26
Specifications . . . . .	41
Index . . . . .	42
John Deere Service Literature . . . . .	45

All information, illustrations and specifications in this manual are based on the latest information at the time of publication. The right is reserved to make changes at any time without notice.

COPYRIGHT© 1999  
Deere & Co.  
John Deere Worldwide Commercial and  
Consumer Equipment Division  
Horicon, WI  
All rights reserved

OMM139550 E9

**<https://www.ebooklibonline.com>**

Hello dear friend!

Thank you very much for reading.

Enter the link into your browser.

The full manual is available for immediate download.

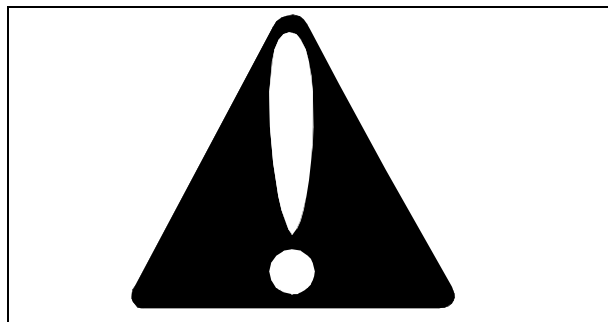
**<https://www.ebooklibonline.com>**

# SAFETY SIGNS

## Safety-Alert Symbol

Read and recognize safety information. Be alert to the potential for personal injury when you see this safety-alert symbol.

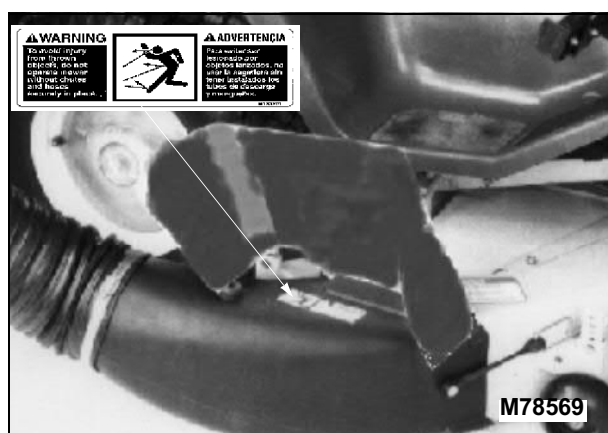
On your machine safety labels, the words DANGER, WARNING, and CAUTION are used with this safety-alert symbol. DANGER identifies the most serious hazards. In this manual, the word CAUTION and this symbol call attention to safety messages.



## Machine Safety Labels

### WARNING

To avoid injury from thrown objects: DO NOT operate mower without chutes and hoses securely in place.



### CAUTION

- Shut off blower and mower before dumping box.
- Catcher assembly is subject to wear and deterioration. Check condition frequently. Replace if necessary.
- Use a John Deere box or equivalent to comply with safety specifications.

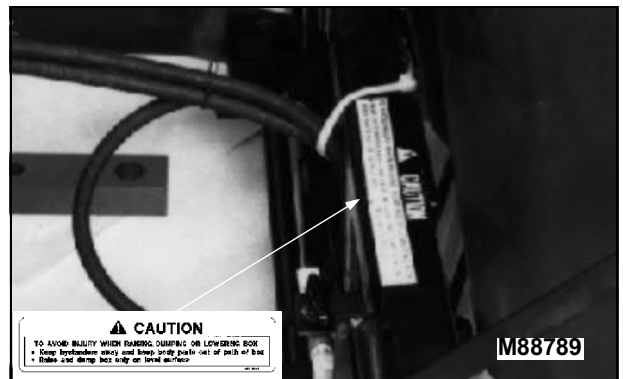


## SAFETY SIGNS

### CAUTION

To avoid injury when raising, dumping or lowering box.

- Keep bystanders away and keep body parts out of path of box.
- Raise and dump box only on level surface.



### CAUTION

To maintain steering control and stability.

See operator's manual for ballasting recommendations.

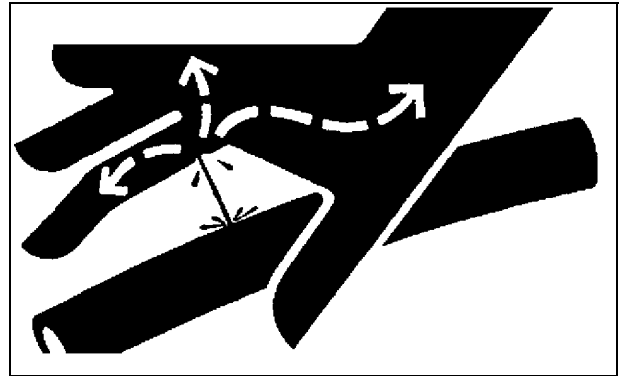


# INSTALLING

---

## Avoid High Pressure Fluids

- Hydraulic hoses and lines can fail due to physical damage, kinks, age, and exposure. Check hoses and lines regularly. Replace damaged hoses and lines.
- Hydraulic fluid connections can loosen due to physical damage and vibration. Check connections regularly. Tighten loose connections.
- Escaping fluid under pressure can penetrate the skin causing serious injury. Avoid the hazard by relieving pressure before disconnecting hydraulic or other lines. Tighten all connections before applying pressure.
- Search for leaks with a piece of cardboard. Protect hands and body from high pressure fluids.
- If an accident occurs, see a doctor immediately. Any fluid injected into the skin must be surgically removed within a few hours or gangrene may result. Doctors unfamiliar with this type of injury should reference a knowledgeable medical source. Such information is available from Deere & Company Medical Department in Moline, Illinois, U.S.A. Information may be obtained in the United States and Canada only by calling 1-800-822-8262.



## Tractor Requirements

- Tractor must have a category 1, 3-point hitch.
- Tractor must have a mid-rockshaft hydraulic cylinder. This prevents the MCS from raising and lowering every time the mower deck is raised or lowered.
- Tractor must have optional Dual SCV kit installed.
- Install six 32 kg (70 lb) front weights.
- Tractor must have a 60-inch mower deck.

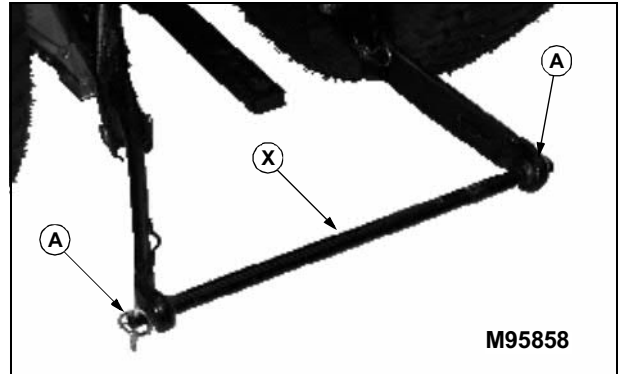
# INSTALLING

## Installing MCS

1. Park tractor safely and on level ground.

**NOTE: Crossbar and quick lock pins are stored with MCS.**

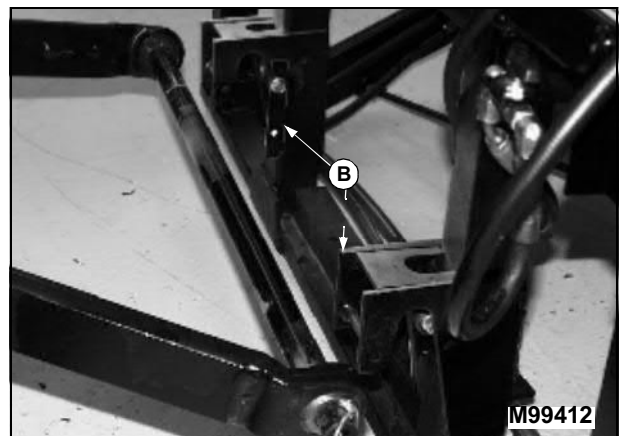
2. Install crossbar (X) through draft-links. Fasten with two quick-lock pins (A).



3. Open left and right MCS frame safety latches (B).

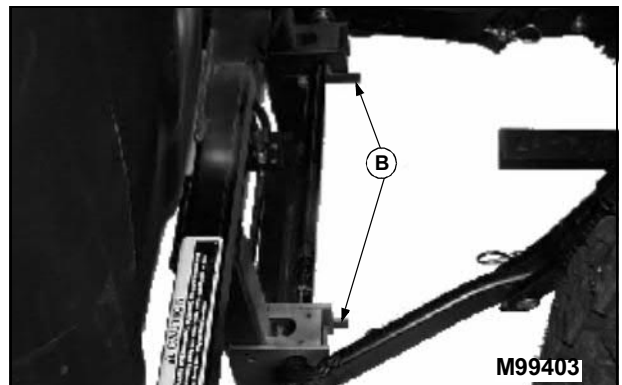
4. Back tractor into position. Raise hitch until crossbar contacts top of hydraulic dump brackets.

5. Engage park brake, stop engine and remove key.



**IMPORTANT: To help prevent damage to the hydraulic dump, close safety latches before raising or lowering MCS.**

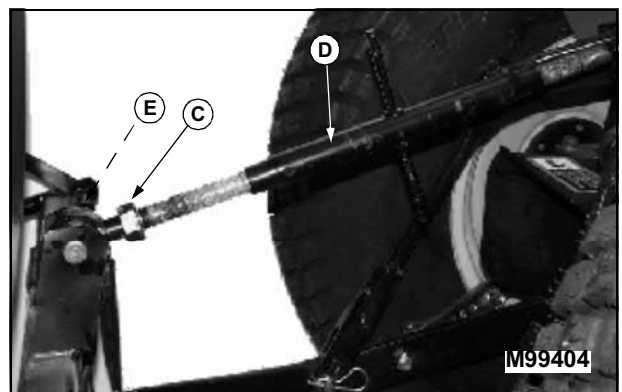
6. Close each safety latch (B).



7. Loosen locking nut (C) on center link (D).

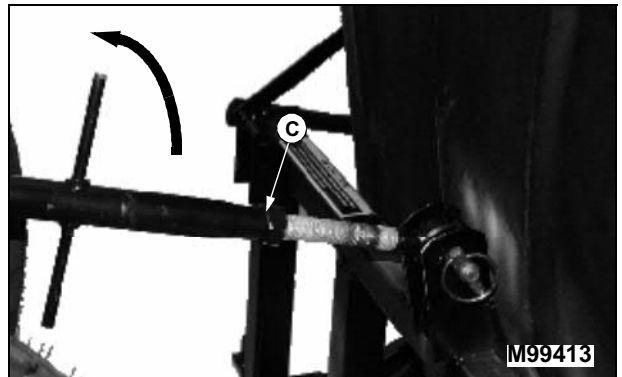
**NOTE: The same amount of threaded rod should show on each end of the center link.**

8. Adjust center link and install pin. Fasten with quick-lock pin (E).

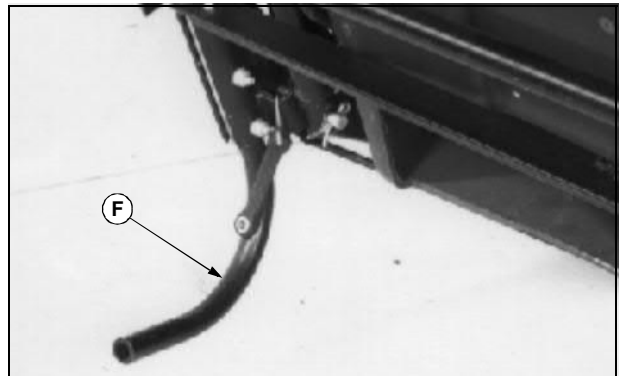


## INSTALLING

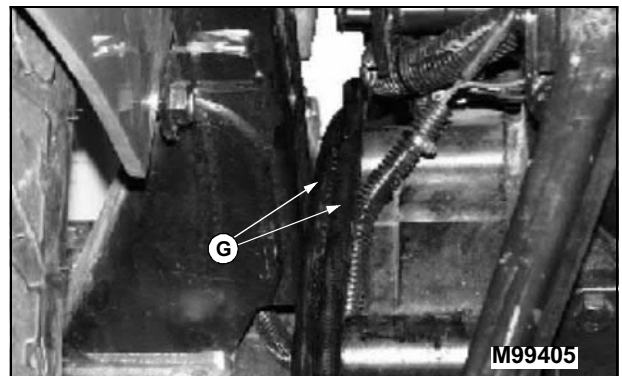
9. Start tractor engine and raise MCS 350 mm (14 in.) off ground.
10. Stop engine and remove key.
11. Adjust center link until frame is perpendicular to the ground.
12. Tighten locking nut (C) against center link.



13. Remove both stabilizer feet (F).

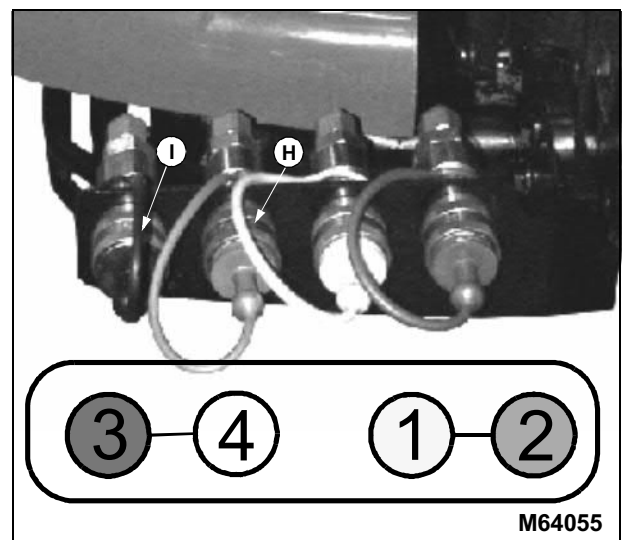


14. Route both hydraulic lines (G) between left side of ROPS and transaxle. Continue routing the hoses under the tractor from the left side to the right side.



**NOTE:** Refer to the color-coded label on the side of the tractor to assist in connecting the hydraulic hoses.

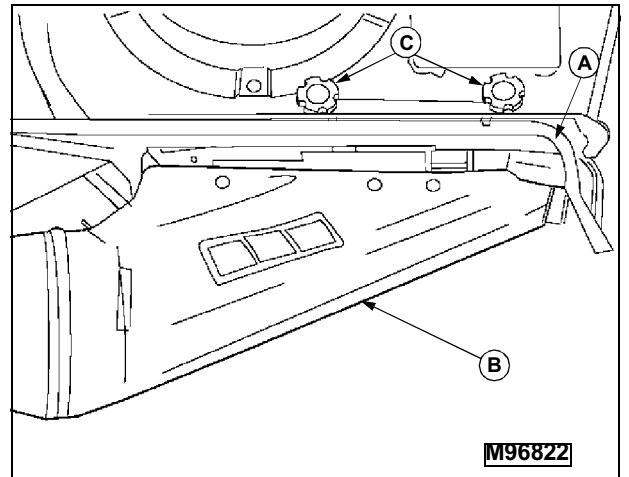
15. Connect hydraulic coupler (H) to the green No. 4 SCV connection. This line is connected to shut-off valve on MCS frame.
16. Connect hydraulic coupler (I) to black No. 3 SCV connection. This line is connected to "raise" side of lift cylinders.
17. Attach hoses to tractor frame with tie straps.
18. Connect plug for optional light kit into tractor if equipped.



## INSTALLING

### Installing Boot

1. Clean grass and dirt from underside of discharge chute.
2. Lower mower deck to its lowest position.
3. Raise hydraulic dump to its highest operating position.
4. Raise discharge chute (A) and fasten boot (B) to mower deck with knobs (C).
5. Turn plastic knobs clockwise, to the right, to secure boot in position.



# REMOVING

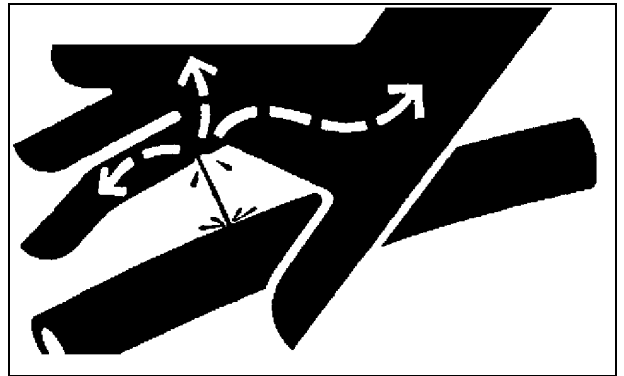
---

## Park Vehicle Safely

- Stop vehicle on a level surface, not on a slope.
- Disengage PTO.
- Engage the park brake.
- STOP the engine.
- Remove the key.
- Before you leave the operator's seat, wait for engine and all moving parts to STOP.

## Avoid High Pressure Fluids

- Hydraulic hoses and lines can fail due to physical damage, kinks, age, and exposure. Check hoses and lines regularly. Replace damaged hoses and lines.
- Hydraulic fluid connections can loosen due to physical damage and vibration. Check connections regularly. Tighten loose connections.
- Escaping fluid under pressure can penetrate the skin causing serious injury. Avoid the hazard by relieving pressure before disconnecting hydraulic or other lines. Tighten all connections before applying pressure.
- Search for leaks with a piece of cardboard. Protect hands and body from high pressure fluids.
- If an accident occurs, see a doctor immediately. Any fluid injected into the skin must be surgically removed within a few hours or gangrene may result. Doctors unfamiliar with this type of injury should reference a knowledgeable medical source. Such information is available from Deere & Company Medical Department in Moline, Illinois, U.S.A. Information may be obtained in the United States and Canada only by calling 1-800-822-8262.



# REMOVING

## Removing MCS

1. Park vehicle safely.



**CAUTION: Stop tractor and Power-Pak engines before removing MCS.**

2. Remove mower boot from mower.

3. Raise MCS off ground.

4. Shut off engine and engage park brake.

5. Install both MCS stabilizer feet (A).

6. Start engine.

7. Lower MCS to the ground using 3-point hitch.

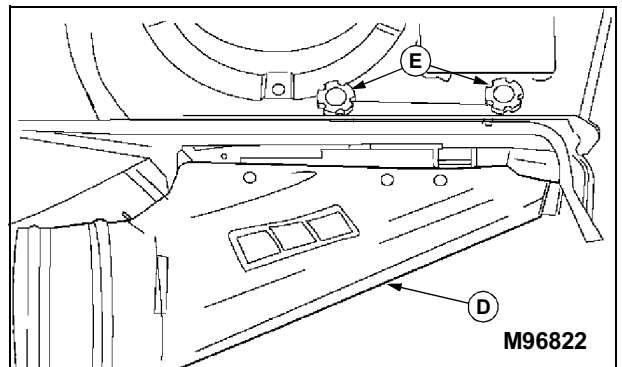
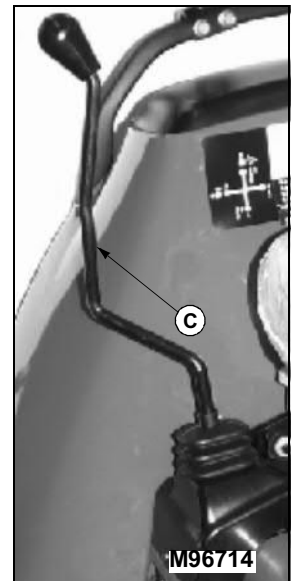
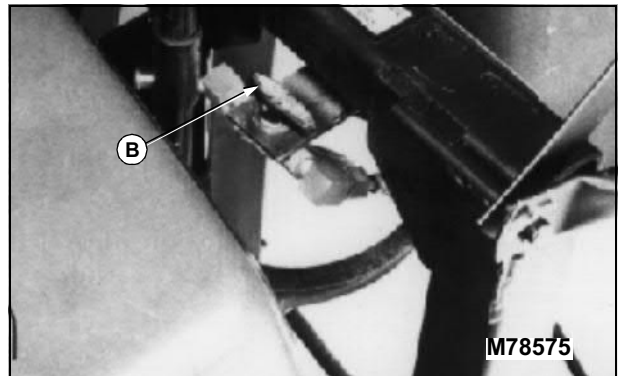
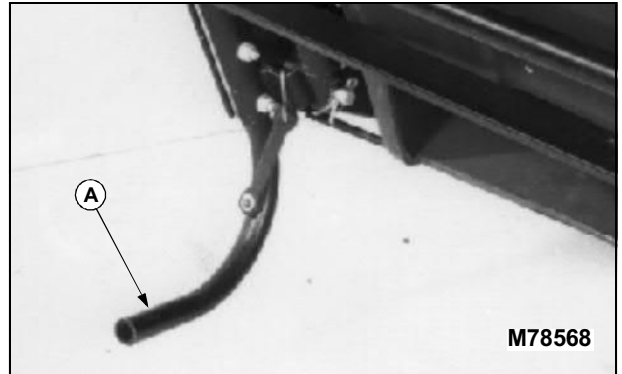
8. Put hydraulic dump shut-off valve (B) in the horizontal and open position shown.

9. Shut off engine and engage park brake.

10. Relieve hydraulic pressure by moving SCV control lever (C) in both directions.

11. Remove boot and tube together (D) from mower deck. Turning plastic knobs (E) to the left, clockwise.

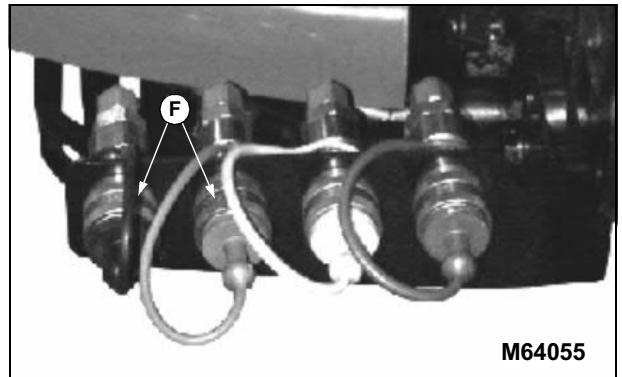
12. Secure boot to MCS.



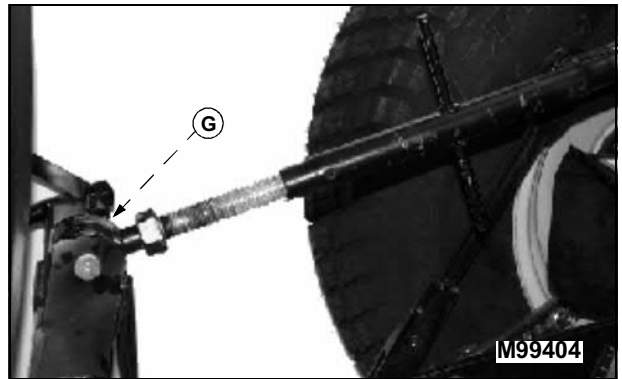
## REMOVING

13. Remove hoses from tractor hydraulic couplers (F). Install hose protectors on hose ends. Remove tie straps securing hoses to tractor.

14. Remove plug for optional light kit from tractor if equipped.

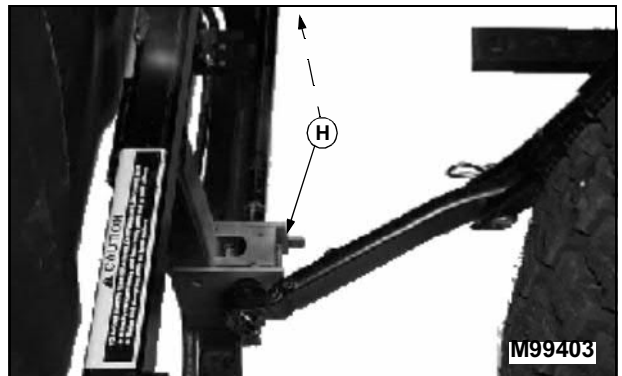


15. Remove center link from MCS by removing quick lock pin (G) and drilled pin.

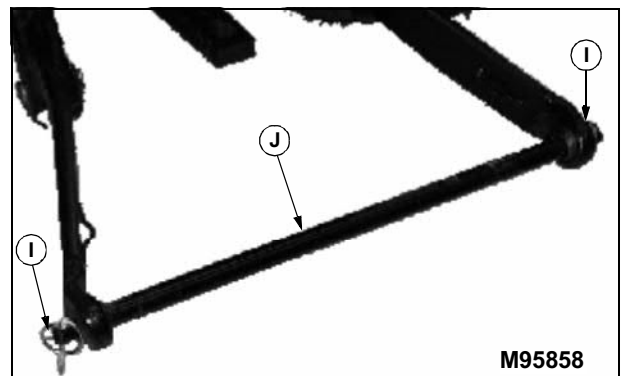


16. Open both MCS frame safety latches (H).

17. Start tractor and drive slowly away from MCS.



18. Remove and store quick lock pins (I) and cross bar (J) with MCS.





**Suggest:**

**If the above button click is invalid.**

**Please download this document**

**first, and then click the above link**

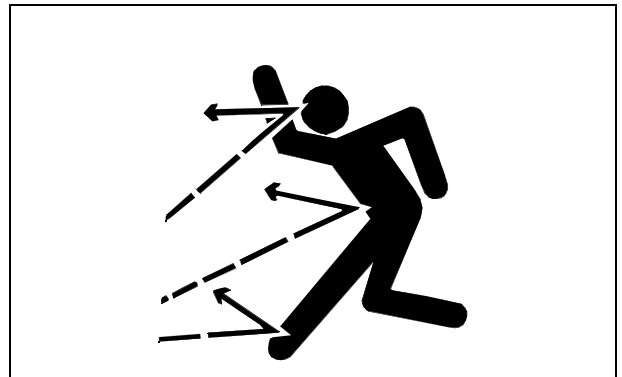
**to download the complete manual.**

**Thank you so much for reading**

# OPERATING

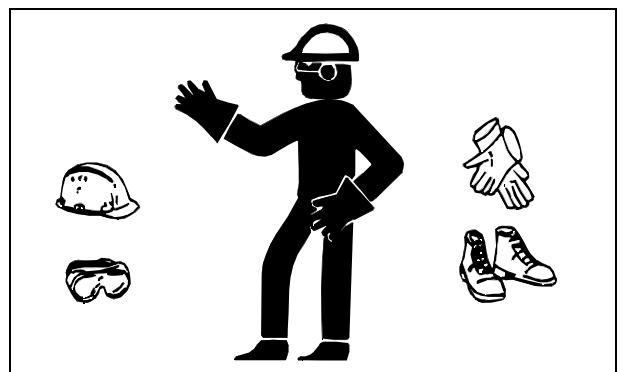
## Operate Safely

- Check vehicle brake action before you operate. Adjust or service brakes as necessary.
- Inspect machine before you operate. Be sure hardware is tight. Repair or replace damaged, badly worn, or missing parts. Be sure guards and shields are in good condition and fastened in place. Make any necessary adjustments before you operate.
- Clear work area of objects that might be thrown. Keep people and pets out of the work area. Stop machine if anyone enters the area.
- If you hit an object, stop the machine and inspect it. Make repairs before you operate. Keep machine properly maintained and in good working order. Keep all shields and guards in place.
- DO NOT leave machine unattended when it is running.
- Operate only during daylight or with good artificial light.
- DO NOT let anyone, especially children, ride on machine or vehicle.
- DO NOT let children or an untrained person operate machine.
- Do not wear radio or music headphones while operating the machine. Safe operation requires your full attention.
- DO NOT operate machine while under the influence of drugs or alcohol.



## Wear Appropriate Clothing

- Wear close fitting clothing and safety equipment appropriate for the job.
- Loud noise can cause impairment or loss of hearing; wear a suitable protective device such as earplugs.



**<https://www.ebooklibonline.com>**

Hello dear friend!

Thank you very much for reading.

Enter the link into your browser.

The full manual is available for immediate download.

**<https://www.ebooklibonline.com>**