

# **GX85 and SX85 Riding Mowers**

**(Serial No. 085001 – )**

## **OPERATOR'S MANUAL**

**John Deere  
Worldwide Commercial and  
Consumer Equipment Division  
OMM133763 F7**

**North American Version  
Litho in U.S.A  
English**

# INTRODUCTION

**THANK YOU** for purchasing a John Deere product.

Read this manual and your attachment manuals thoroughly. Failure to do so could result in personal injury or equipment damage.



**WARNING:** The Engine Exhaust from this product contains chemicals known to the State of California to cause cancer, birth defects or other reproductive harm.

CALIFORNIA Proposition 65 Warning

This manual should be considered a permanent part of your machine and should remain with the machine when you sell it.

Measurements in this manual are metric units and their U.S. customary equivalents. RIGHT-HAND and LEFT-HAND sides are determined by facing in the direction the machine will travel when going forward. When you see a broken line arrow ( - - - → ) it indicates the part it is pointing to is hidden.

Record identification numbers below. Be sure to record all the numbers to help in tracing the machine if it is stolen. You also need to give these numbers to your dealer when you order parts.

**Date of Purchase:**  
\_\_\_\_\_

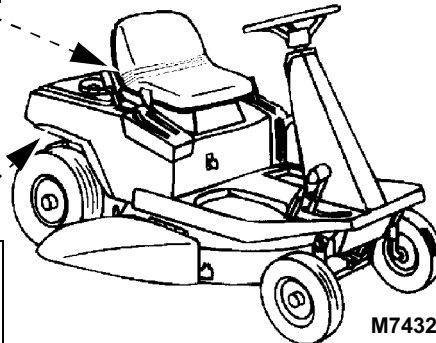
**Dealer Name:** \_\_\_\_\_ **Phone:** \_\_\_\_\_

**Engine Serial Number:**

□ □ □ □ □ □ □ □ □ □ □ □ □ □ □ □

**Product Identification Number:**

□ □ □ □ □ □ □ □ □ □ □ □ □ □ □ □



M74329b

## TABLE OF CONTENTS

---

---

	Page
Safety Signs .....	1
Controls .....	4
Operating.....	7
Operating The Mower .....	24
Lawn Care.....	38
Replacement Parts .....	42
Service Machine Safely.....	43
Service Interval Chart.....	46
Service - Engine.....	48
Service - Mower .....	59
Service - Electrical.....	91
Service - Miscellaneous .....	97
Removing Mower .....	104
Installing Mower.....	107
Troubleshooting .....	110
Storing Vehicle.....	112

**<https://www.ebooklibonline.com>**

Hello dear friend!

Thank you very much for reading.

Enter the link into your browser.

The full manual is available for immediate download.

**<https://www.ebooklibonline.com>**

## TABLE OF CONTENTS

---

---

	Page
<b>Assembly .....</b>	<b>115</b>
<b>Specifications.....</b>	<b>119</b>
<b>Warranty.....</b>	<b>126</b>
<b>Index.....</b>	<b>133</b>
<b>John Deere Service Literature .....</b>	<b>141</b>

All information, illustrations and specifications in this manual are based on the latest information at the time of publication. The right is reserved to make changes at any time without notice.

COPYRIGHT© 1997  
Deere & Co.  
John Deere Worldwide Commercial and  
Consumer Equipment Division  
Horicon, WI  
All rights reserved  
Previous Editions  
COPYRIGHT© 1996

# SAFETY SIGNS

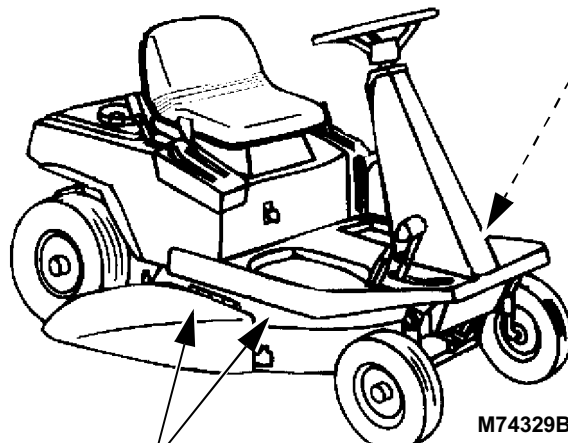
## Safety-Alert Symbol

Read and recognize safety information. Be alert to the potential for personal injury when you see this safety-alert symbol.



On your machine safety labels, the words DANGER, WARNING, and CAUTION are used with this safety-alert symbol. DANGER identifies the most serious hazards. In this manual, the word CAUTION and this symbol call attention to safety messages.

## Machine Safety Labels



# SAFETY SIGNS

**MAINTENANCE-FREE • SANS ENTRETIEN**

**⚠ DANGER/POISON**

**SHIELD EYES.**  
EXPLOSIVE BASES CAN CAUSE BLINDNESS OR INJURY.  
PROTÉGER LES YEUX.  
BAZ EXPLOSIFS.  
PEUVENT RENDRE AVEUGLE OU PROVOQUER DES LÉSIONS.

**NO**  
• SPARKS  
• FLAMES  
• SMOKING  
ACIDE SULFURIQUE PEUT RENDRE AVEUGLE OU PROVOQUER DES BRÛLURES GRAVES.  
• CIGARETTES

**SULFURIC ACID CAN CAUSE BLINDNESS OR SEVERE BURNS.**

**FLUSH EYES IMMEDIATELY WITH WATER. GET MEDICAL HELP FAST.**  
RINCER IMMÉDIATEMENT LES YEUX À GRANDE EAU. CONTACTER RAPIDEMENT UN MÉDECIN DE LA PROFESSION MÉDICALE.

**KEEP OUT OF THE REACH OF CHILDREN. DO NOT TIP. DO NOT OPEN BATTERY!**  
MAINTENIR HORS DE LA PORTEE D'ENFANTS. NE RENVERSEZ PAS. N'OUVREZ PAS LA BATTERIE!

1996

EPM Products, Baltimore, MD 21228

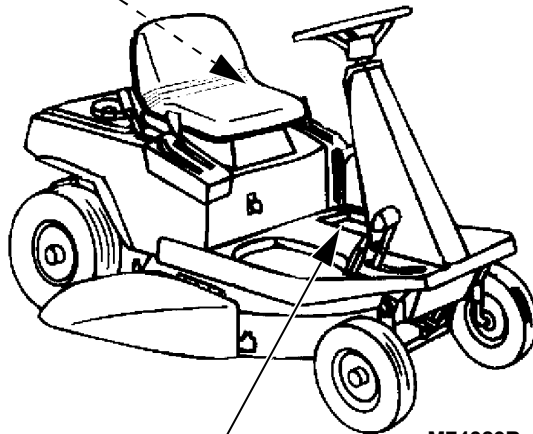
MADE IN U.S.A. - FABRIQUE AUX E.U.

NO. 121593

230

190

M86467



M74329B

**⚠ DANGER**

**ROTATING BLADES CUT OFF ARMS AND LEGS**

- Do not mow when children or others are around
- Do not mow in reverse
- Look down and behind before and while backing
- Never carry children

**⚠ WARNING**

**AVOID SERIOUS INJURY OR DEATH**

- Drive up and down slopes, not across
- Avoid sudden turns
- If machine stops going uphill, stop blade and back down slowly
- Keep safety devices (guards, shields, and switches) in place and working
- Read operator's manual
- When leaving machine:
  - Stop engine
  - Set park brake
  - Remove key

M47707

# SAFETY SIGNS

---

---

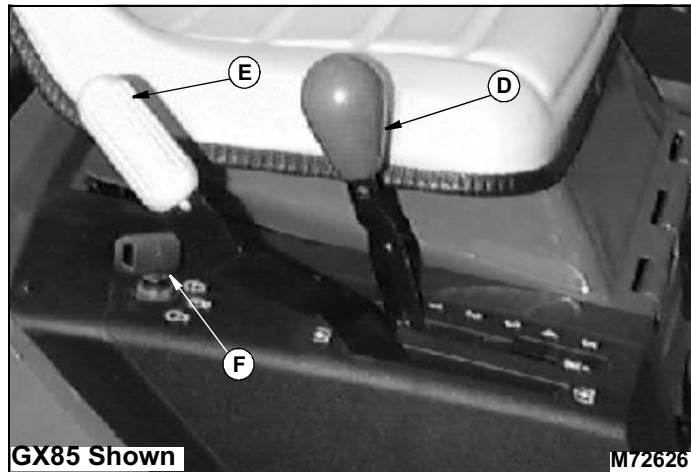
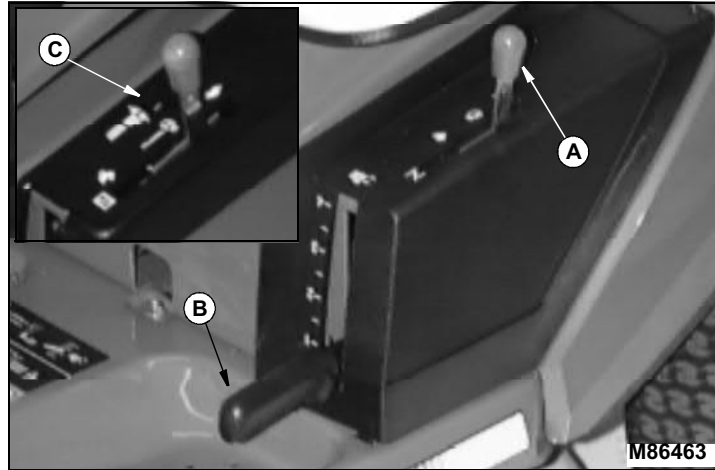
## Certification Label

This OPEI label on your mower indicates that this model has been certified by an independent laboratory for compliance with American National Standard B-71.1-1996, "Safety Specifications" for Power Lawn Mowers, Lawn and Garden Tractors, and Lawn Tractors.



# CONTROLS

## Console Controls



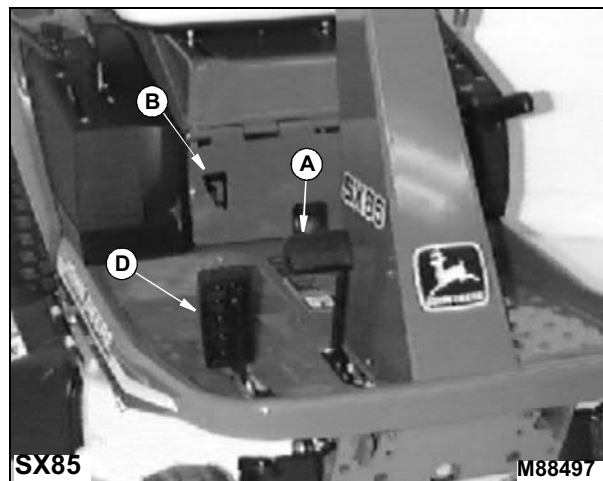
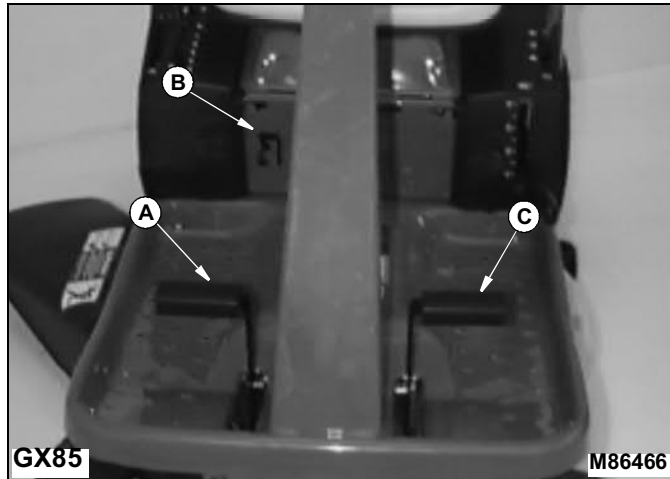
- A - Throttle Lever ..... Controls engine speed
- B - Mower Lift Lever..... Sets cutting height
- C - Mower Height Indicator (Old SX85 Model Only) .....  
.....Indicates mower height
- D - Shift Lever.....Changes ground speed
- E - PTO Lever ..... Engages mower deck
- F - Key..... Starts engine

# CONTROLS

---

---

## Foot Controls and Park Brake



- A - Brake Pedal ..... Stops machine
- B - Park Brake Lever ..... Engages park brake
- C - Clutch..... Disengages engine drive
- D - Accelerator ..... Engages machine travel

# CONTROLS

---

---

## Miscellaneous



A - Fuel Shut-Off .....

# OPERATING

---

## SAFETY



### Operate Safely

- Check brake action before you operate. Adjust or service brakes as necessary.
- Inspect machine before you operate. Be sure hardware is tight. Repair or replace damaged, badly worn, or missing parts. Be sure guards and shields are in good condition and fastened in place. Make any necessary adjustments before you operate.
- Clear work area of objects that might be thrown. Keep people and pets out of the work area. Stop machine if anyone enters the area.
- If you hit an object, stop the machine and inspect it. Make repairs before you operate. Keep machine and attachments properly maintained and in good working order.
- DO NOT leave machine unattended when it is running.
- Only operate during daylight or with good artificial light.
- Be careful of traffic when operating near or crossing roadways.
- Do not wear radio or music headphones while operating the machine. Safe operation requires your full attention.

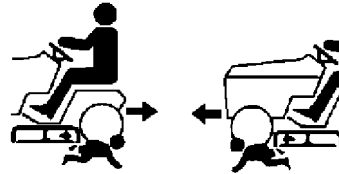
### Park Safely

- Stop machine on a level surface, not on a slope.
- Disengage PTO.
- Lower attachments to the ground.
- Engage park brake.
- STOP engine.
- Remove key.
- Before you leave the operator's seat, wait for engine and all moving parts to STOP.

## OPERATING

---

### **Rotating Blades are Dangerous - Protect Children and Prevent Accidents**



#### PROTECT CHILDREN:

- Never assume that children will remain where you last saw them. Children are attracted to mowing activity, stay alert to the presence of children.
- Keep children in the house when you are operating the machine.
- Turn machine off if a child enters the mowing area.
- Use extra care when you come to blind corners, shrubs, trees, or other objects that may block your vision.
- DO NOT let children or an untrained person operate the machine.
- DO NOT carry or let children ride on machine or any attachment. DO NOT tow children in a cart or trailer.

#### HELP PREVENT SERIOUS OR FATAL ACCIDENTS:

- Be alert at all times, drive forward carefully. People, especially children, can move quickly into the mowing area before you know it.
- Back carefully. Shut off PTO and look behind the machine carefully, especially for children, before you back up.
- DO NOT mow in reverse unless it is absolutely necessary.
- Shut off PTO when you are not mowing.
- DO NOT operate machine if you are under the influence of drugs or alcohol.

# OPERATING

---

## Avoid Tipping



- DO NOT drive where machine could slip or tip.
- Stay alert for holes and other hidden hazards in the terrain.
- Keep away from drop-offs.
- Slow down before you make a sharp turn or operate on a slope.
- When pulling loads or using heavy equipment, use only approved hitches, limit loads to those you can safely control, and use counterweights or wheel weights when required per this manual or your attachment manual.
- Drive up and down a hill - not across. Be careful when you change direction on a slope.
- DO NOT stop when going up hill or down hill. If machine stops going up hill, STOP PTO and back down slowly.
- DO NOT mow wet grass. Reduced traction could cause sliding.
- DO NOT try to stabilize the machine by putting your foot on the ground.

## Keep Riders Off



- Only allow the operator on the machine. Keep riders off.
- Riders on the machine or attachment may be struck by foreign objects or thrown off the machine causing serious injury.
- Riders obstruct the operator's view resulting in the machine being operated in an unsafe manner.

# OPERATING

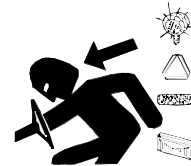
---

## Wear Appropriate Clothing



- Wear close fitting clothing and safety equipment appropriate for the job.
- Loud noise can cause impairment or loss of hearing, wear a suitable protective device such as earplugs.

## Transport Safely



- Use safety lights and devices. Slow moving machines when driven on public roads are hard to see, especially at night. Avoid personal injury or death resulting from a collision with a vehicle.
- Whenever driving on public roads, use flashing warning lights and turn signals according to local regulations. Extra flashing warning lights may need to be installed.



**Suggest:**

**If the above button click is invalid.**

**Please download this document**

**first, and then click the above link**

**to download the complete manual.**

**Thank you so much for reading**

# OPERATING

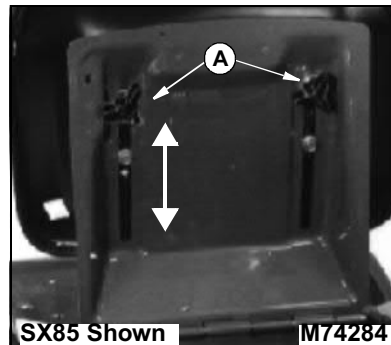
---

---

## ADJUSTMENTS

### Adjusting Seat

1. Lift seat.
2. Loosen knob(s) (A).
3. Slide seat forward or rearward as needed.
4. Tighten knob(s).
5. Lower seat.



## DRIVING

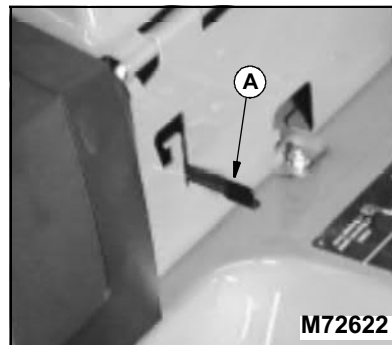
### Using Park Brake

To lock park brake:

- Depress brake pedal and hold.
- Move park brake lever (A) to bottom of slot.
- Release brake pedal.

To unlock park brake:

- Depress brake pedal and hold.
- Move park brake lever (A) to top of slot and then to the right.
- Release brake pedal.



**<https://www.ebooklibonline.com>**

Hello dear friend!

Thank you very much for reading.

Enter the link into your browser.

The full manual is available for immediate download.

**<https://www.ebooklibonline.com>**