


JOHN DEERE
WORLDWIDE COMMERCIAL & CONSUMER
EQUIPMENT DIVISION

Lawn and Garden Tractor
GT225 and GT235

OPERATOR'S MANUAL



 **WARNING:** The Engine Exhaust from this product contains chemicals known to the State of California to cause cancer, birth defects or other reproductive harm.

California Proposition 65 Warning

OMM142611 C0

North American Version
Litho in U.S.A.

INTRODUCTION

Thank You for Purchasing a John Deere Product

We appreciate having you as a customer and wish you many years of safe and satisfied use of your machine.

Using Your Operator's Manual

This manual is an important part of your machine and should remain with the machine when you sell it.

Reading your operator's manual will help you and others avoid personal injury or damage to the machine. Information given in this manual will provide the operator with the safest and most effective use of the machine. Knowing how to operate this machine safely and correctly will allow you to train others who may operate this machine.

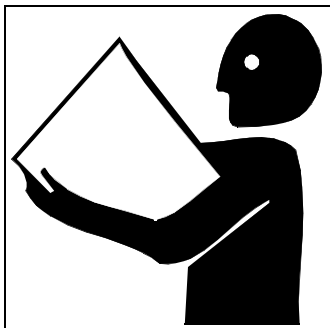
Sections in your operator's manual are placed in a specific order to help you understand all the safety messages and learn the controls so you can operate this machine safely. You can also use this manual to answer any specific operating or servicing questions. A convenient index located at the end of this book will help you to find needed information quickly.

The machine shown in this manual may differ slightly from your machine, but will be similar enough to help you understand our instructions.

RIGHT-HAND and LEFT-HAND sides are determined by facing in the direction the machine will travel when going forward. When you see a broken line arrow (----->), the item referred to is hidden from view.

Special Messages

Your manual contains special messages to bring attention to potential safety concerns, machine damage as well as helpful operating and servicing information. Please read all the highlighted information carefully to avoid injury and machine damage.



CAUTION: Avoid injury!

This symbol and text highlight potential hazards or death to the operator or bystanders may occur if the hazards or procedures are ignored.

IMPORTANT: Avoid damage! This text is used to tell the operator of actions or conditions that might result in damage to the machine.

NOTE: General information is given throughout the manual that may help the operator in the operation of the machine.

PRODUCT IDENTIFICATION

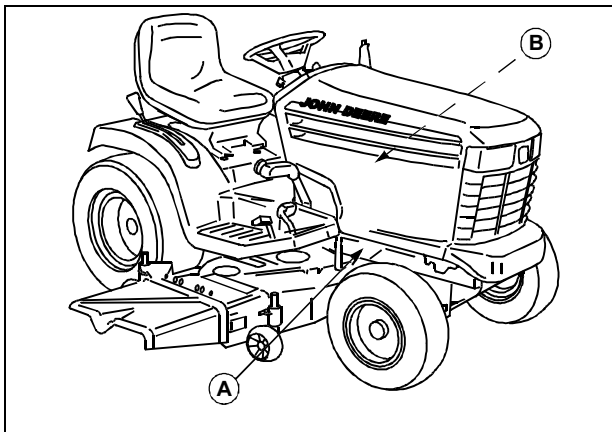
Record Identification Numbers

Lawn and Garden Tractor

GT225 and GT235 PIN (010001-)

If you need to contact an Authorized Service Center for information on servicing, always provide the product model and identification numbers.

You will need to locate the model and identification numbers for the product and record the information in the spaces provided below.



DATE OF PURCHASE:

DEALER NAME:

DEALER PHONE:

PRODUCT IDENTIFICATION NUMBER (A):

ENGINE SERIAL NUMBER (B):

<https://www.ebooklibonline.com>

Hello dear friend!

Thank you very much for reading.

Enter the link into your browser.

The full manual is available for immediate download.

<https://www.ebooklibonline.com>

TABLE OF CONTENTS

Safety	1
Operating	7
Replacement Parts	20
Service Intervals	21
Service Lubrication	22
Service Engine	23
Service Transmission	29
Service Electrical	32
Service Miscellaneous	36
Troubleshooting	39
Storage	42
Assembly	44
Specifications	46
Warranty	49
Index	52

All information, illustrations and specifications in this manual are based on the latest information at the time of publication. The right is reserved to make changes at any time without notice.

COPYRIGHT© 2000
Deere & Co.

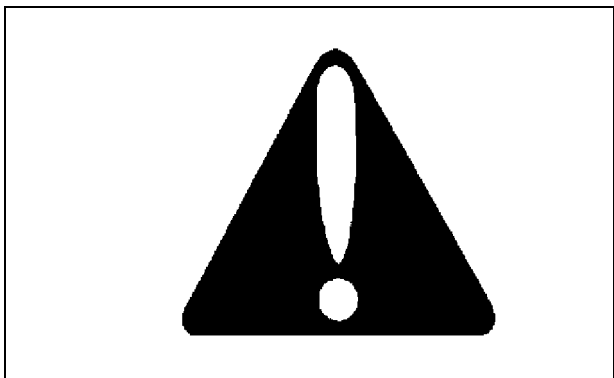
John Deere Worldwide Commercial and
Consumer Equipment Division
Horicon, WI

All rights reserved
Previous Editions
COPYRIGHT© 1998

OMM142611 C0 - English

SAFETY

Understanding The Machine Safety Labels

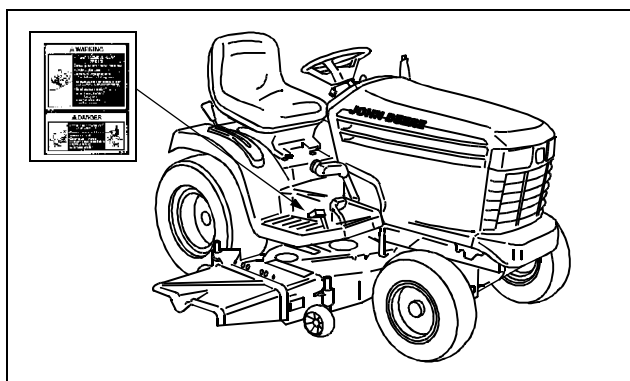


The machine safety labels shown in this section are placed in important areas on your machine to draw attention to potential safety hazards.

On your machine safety labels, the words DANGER, WARNING, and CAUTION are used with this safety-alert symbol, (▲). DANGER identifies the most serious hazards.

The operator's manual also explains any potential safety hazards whenever necessary in special safety messages that are identified with the word, CAUTION, and the safety-alert symbol, (▲).

Machine Safety Labels



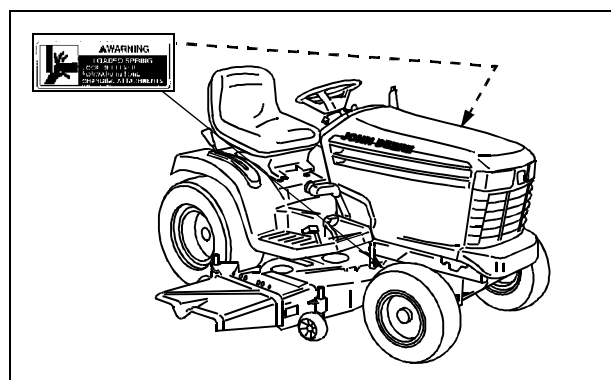
WARNING - AVOID SERIOUS INJURY OR DEATH

- Drive up and down slopes, not across
- Avoid sudden turns
- If machine stops going uphill, stop blade and back down slowly
- Keep safety devices (guards, shields, and switches) in place and working
- Read operator's manual
- When leaving machine:

- Stop engine
- Set park brake
- Remove key

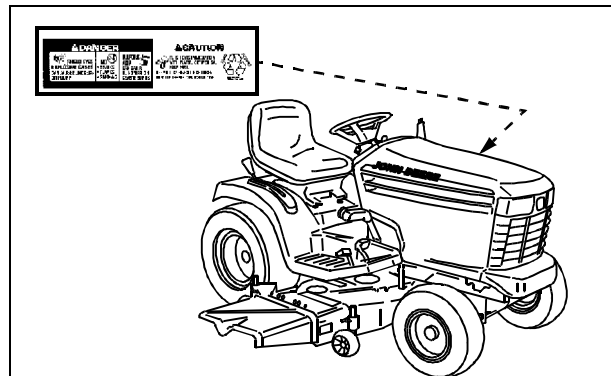
DANGER - ROTATING BLADES CUT OFF ARMS AND LEGS

- Do not mow when children or others are around.
- Do not mow in reverse
- Look down and behind before and while backing
- Never carry children even with blades off.



WARNING - LOADED SPRING

Lock lift lever forward before changing attachments.



DANGER: SHIELD EYES-EXPLOSIVE GASES CAN CAUSE BLINDNESS OR INJURY

NO SPARKS, FLAMES, SMOKING

SULFURIC ACID CAN CAUSE BLINDNESS OR SEVERE BURNS

CAUTION: FLUSH EYES IMMEDIATELY WITH WATER.

- GET MEDICAL HELP FAST.
- KEEP OUT OF REACH OF CHILDREN.
- DO NOT TIP.
- KEEP VENT CAPS TIGHT AND LEVEL.
- Located on Battery

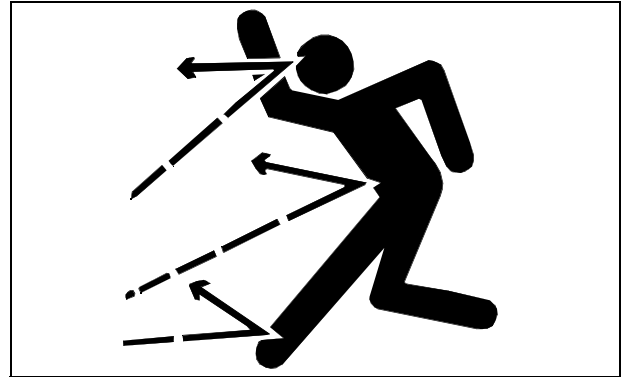
SAFETY

Checking Mowing Area

Operating Safely



- Inspect machine before you operate. Be sure hardware is tight. Repair or replace damaged, badly worn, or missing parts. Be sure guards and shields are in good condition and fastened in place. Make any necessary adjustments before you operate.
- Check brake action before you operate. Adjust or service brakes as necessary.
- Stop machine if anyone enters the area.
- If you hit an object, stop the machine and inspect it. Make repairs before you operate. Keep machine and attachments properly maintained and in good working order.
- Do not leave machine unattended when it is running.
- Only operate during daylight or with good artificial light.
- Be careful of traffic when operating near or crossing roadways.
- Do not wear radio or music headphones while operating the machine. Safe operation requires your full attention.
- Older adults are involved in a large percentage of riding mower accidents involving injury. These operators should evaluate their ability to operate a mower safely enough to protect the operator and others from serious injury.



- Clear mowing area of objects that might be thrown. Keep people and pets out of mowing area.
- Study mowing area. Set up a safe mowing pattern. Do not mow where traction or stability is doubtful.
- Test drive area with mower lowered but not running. Slow down when you travel over rough ground.

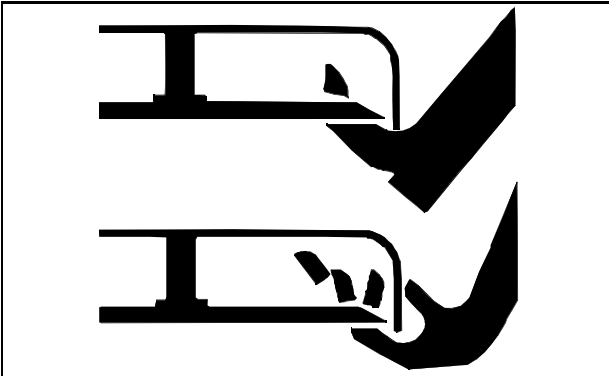
Parking Safely

1. Stop machine on a level surface, not on a slope.
2. Disengage mower blades.
3. Lower attachments to the ground.
4. Lock the park brake.
5. Stop the engine.
6. Remove the key.
7. Wait for engine and all moving parts to stop before you leave the operator's seat.

SAFETY

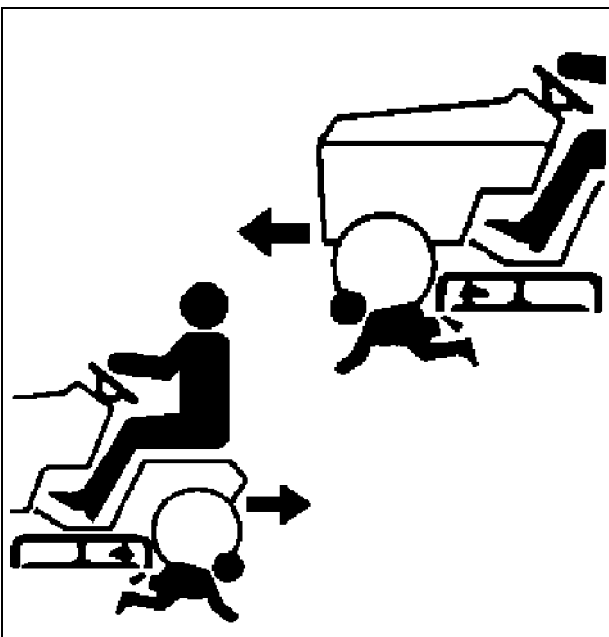
Rotating Blades are Dangerous

HELP PREVENT SERIOUS OR FATAL ACCIDENTS:



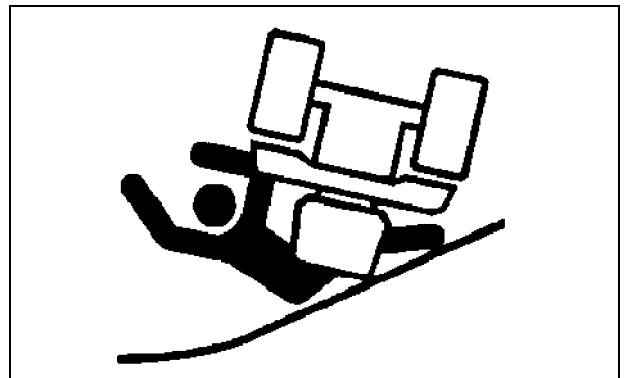
- Rotating blades can cut off arms and legs.
- Keep hands, feet and clothing away from mower deck when engine is running.
- Be alert at all times, drive forward carefully. People, especially children can move quickly into the mowing area before you know it.
- Before backing up, shut off PTO and look behind the machine carefully, especially for children.
- Do not mow in reverse.
- Shut off blades when you are not mowing.
- Do not operate machine if you are under the influence of drugs or alcohol.
- Park machine safely before inspecting or unplugging mower or bagger.

PROTECT CHILDREN:



- Never assume that children will remain where you last saw them. Children are attracted to mowing activity, stay alert to the presence of children.
- Keep children indoors when you are mowing. Turn the machine off if a child enters the mowing area.
- Use extra care when you come to blind corners, shrubs, trees, or other objects that may block your vision.
- Do not let children or an untrained person operate the machine.
- Do not carry or let children ride on any attachment or machine even with the blades off. Do not tow children in a cart or trailer.

Avoid Tipping



- Do not drive where machine could slip or tip.
- Stay alert for holes and other hidden hazards in the terrain.
- Keep away from drop-offs.
- Slow down before you make a sharp turn or operate on a slope.
- Limit loads to those you can safely control. Use only approved hitches when pulling loads or using heavy equipment. Use counterweights or wheel weights as required in this manual or your attachment manual.
- Use wheel weights for added stability when operating on slopes or using rear mounted attachments.
- Drive up and down a hill - not across. Be careful when you change direction on a slope.
- Do not stop when going up hill or down hill. If machine stops going up hill, disengage mower blades and back down slowly.
- Mowing when grass is wet can cause reduced traction and sliding.
- Do not try to stabilize the machine by putting your foot on the ground.

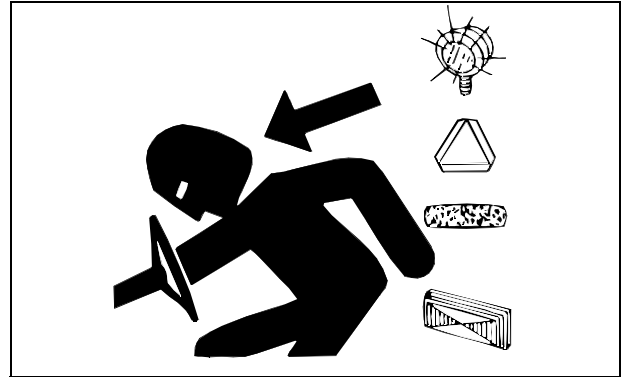
SAFETY

Keep Riders Off



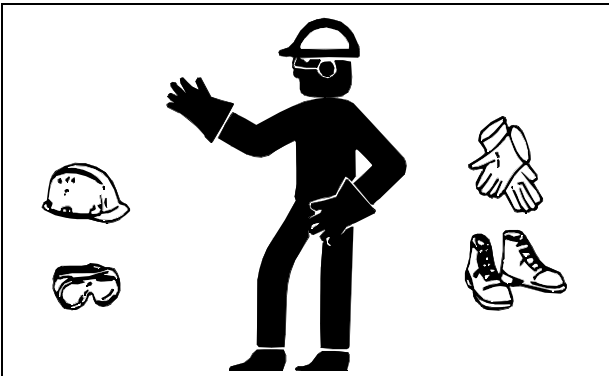
- Only allow the operator on the machine. Keep riders off.
- Riders on the machine or attachment may be struck by foreign objects or thrown off the machine causing serious injury.
- Riders obstruct the operator's view resulting in the machine being operated in an unsafe manner.

Transport Safely



- Use safety lights and devices. Slow moving machines when driven on public roads reheard to see, especially at night. Avoid personal injury or death resulting from a collision with a vehicle.
- Whenever driving on public roads, use flashing warning lights and turn signals according to local regulations. Extra flashing warning lights may need to be installed.

Wear Appropriate Clothing



- Wear close fitting clothing and safety equipment appropriate for the job.
- Wear a suitable protective device such as earplugs. Loud noise can cause impairment or loss of hearing.
- Do not wear radio or music headphones. Safe service and operation requires your full attention.

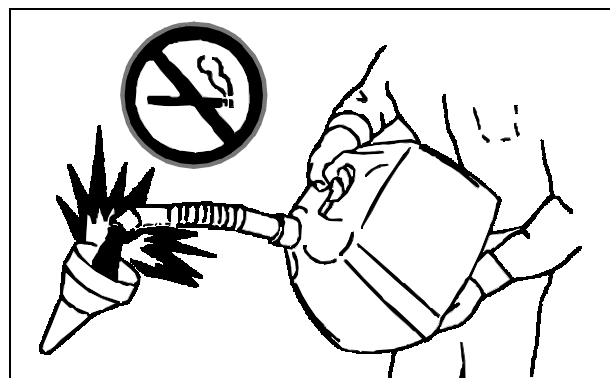
Practice Safe Maintenance



- Understand service procedure before doing work. Keep area clean and dry.
- Never lubricate, service, or adjust machine while it is moving. Keep safety devices in place and in working condition. Keep hardware tight.
- Keep hands, feet, clothing, jewelry, and long hair away from any moving parts, to prevent them from getting caught.
- Lower attachments to the ground before servicing machine. Disengage all power and stop the engine. Lock park brake and remove the key. Let machine cool.
- Securely support any machine elements that must be raised for service work.
- Never run engine unless park brake is locked.

SAFETY

- Keep all parts in good condition and properly installed. Fix damage immediately. Replace worn or broken parts. Remove any buildup of grease, oil, or debris.
- Disconnect battery negative (-) cable before making adjustments on electrical systems or welding on machine.
- Do not modify machine. Unauthorized modifications may impair its function and safety.
- Do not wear radio or music headphones while servicing the machine. Safe service requires your full attention.



Tire Safety



Explosive separation of a tire and rim parts can cause serious injury or death:

- Do not attempt to mount a tire without the proper equipment and experience to perform the job.
- Always maintain the correct tire pressure. Do not inflate the tires above the recommended pressure. Never weld or heat a wheel and tire assembly. The heat can cause an increase in air pressure resulting in a tire explosion. Welding can structurally weaken or deform the wheel.
- When inflating tires, use a clip-on chuck and extension hose long enough to allow you to stand to one side and NOT in front of or over the tire assembly.
- Check tires for low pressure, cuts, bubbles, damaged rims or missing lug bolts and nuts.

Handling Fuel Safely

Fuel and fuel vapors are highly flammable:

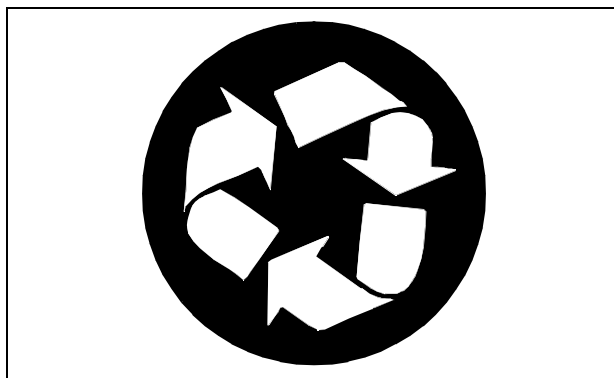
- DO NOT refuel machine while you smoke, when machine is near an open flame or sparks, or when engine is running. STOP engine.
- Fill fuel tank outdoors.
- Prevent fires: clean oil, grease and dirt from machine. Clean up spilled fuel immediately.
- Do not store machine with fuel in tank in a building where fumes may reach an open flame or spark.
- Prevent fire and explosion caused by static electric discharge. Use only non-metal, portable fuel containers approved by the Underwriter's Laboratory (U.L.) or the American Society for Testing & Materials (ASTM). If using a funnel, make sure it is plastic and has no screen or filter.
- Static electric discharge can ignite gasoline vapors in an ungrounded fuel container. Remove the fuel container from the bed of a vehicle or the trunk of a car and place on the ground away from the vehicle before filling. Keep nozzle in contact with container opening while filling.



- When practical, remove equipment from trailers or truck beds and refuel them on the ground. If this is not possible, use a portable, plastic fuel container to refuel equipment on a truck bed or trailer.
- DO NOT use METHANOL gasoline. METHANOL is harmful to the environment and to your health.

SAFETY

Handling Waste Product and Chemicals



Waste products, such as, used oil, fuel, coolant, brake fluid, and batteries, can harm the environment and people:

- DO NOT use beverage containers for waste fluids - someone may drink from them.
- See your local Recycling Center or John Deere dealer to learn how to recycle or get rid of waste products.
- A Material Safety Data Sheet (MSDS) provides specific details on chemical products: physical and health hazards, safety procedures, and emergency response techniques. The seller of the chemical products used with your machine is responsible for providing the MSDS for that product.

the engine has been certified to meet EPA and/or CARB emission requirements. The following table provides the engine compliance period in hours associated with the category found on the certification label.

Agency	Category	Hours
EPA	C	250
EPA	B	500
EPA	A	1000
CARB	Moderate	125
CARB	Intermediate	250
CARB	Extended	500

Emission Control System Certification Label

NOTE: Tampering with emission controls and components by unauthorized personnel may result in severe fines or penalties. Emission controls and components can only be adjusted by EPA and/or CARB authorized service centers. Contact your John Deere Commercial and Consumer Equipment Retailer concerning emission controls and component questions.

The presence of an emissions label signifies that the engine has been certified with the United States Environmental Protection Agency (EPA) and/or California Air Resources Board (CARB).

The emissions warranty applies only to those engines marketed by John Deere that have been certified by the EPA and/or CARB; and used in the United States and Canada in off-road mobile equipment.

Emission Compliance Period

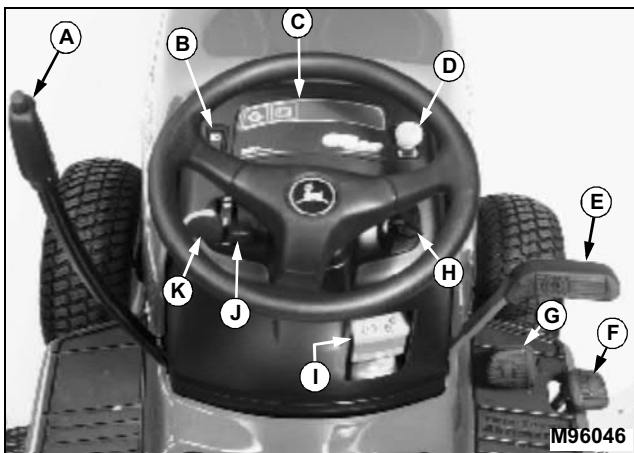
If your engine has the emission compliance category listed on the emission control system certification or air index label, this indicates the number of operating hours for which

OPERATING

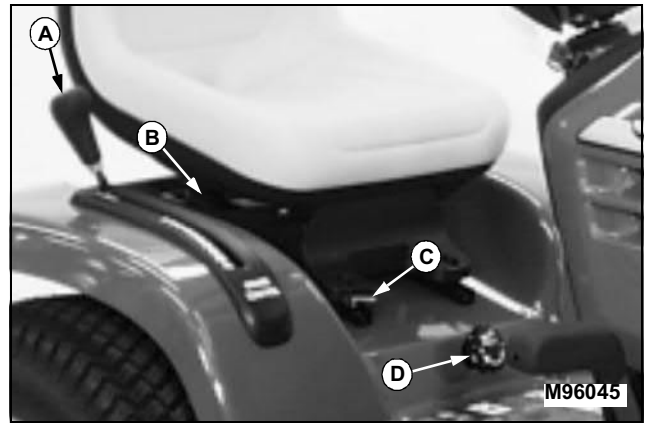
Daily Operating Checklist

- Test safety systems.
- Check tire pressure.
- Check fuel level.
- Check engine oil level.
- Remove grass and debris from machine.
- Clean air intake screen.
- Check area below machine for leaks.

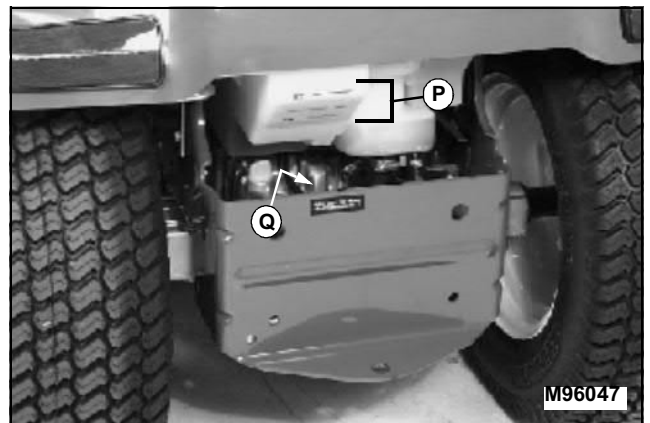
Controls



- A - Lift lever - Raises and lowers attachments**
- B - Light switch - Push to engage lights**
- C - Instrument panel - Indicator lights**
- D - PTO knob - Engages attachments**
- E - Brake pedal - Stops machine**
- F - Reverse travel pedal - Starts reverse travel**
- G - Forward travel pedal - Starts forward travel**
- H - Key - Starts engine**
- I - Park brake lever - Engages park brake**
- J - Choke lever - Controls fuel for starting engine**
- K - Throttle lever - Controls engine speed**



- A - Cruise control lever - Sets cruise control**
- B - Seat suspension - Adjusts suspension for operator weight**
- C - Seat lever - Locks seat in different positions**
- D - Mower depth control - Sets mowing height**

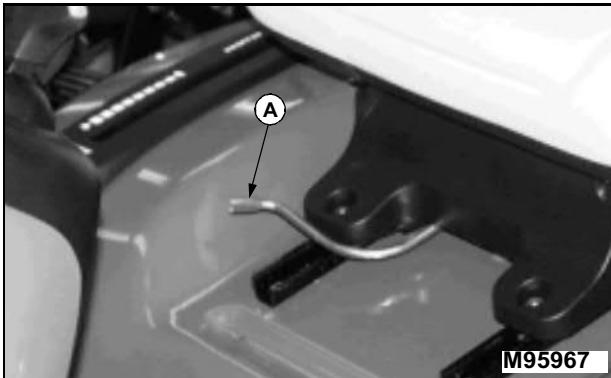


- A - Fuel gauge - Indicates amount of fuel in tank**
- B - Free wheeling lever - Allows tractor to be moved manually**

OPERATING

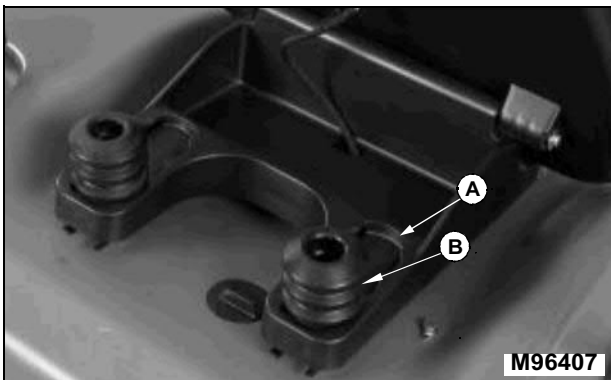
Adjusting Seat

To adjust seat position:



1. Push lever (A) to the left.
2. Slide seat forward or rearward to desired position.
3. Release lever.

To adjust seat for ride comfort:



Lift seat, unscrew and move springs to desired position as follows:

- Install both springs into front position (A) for softest ride.
- Install both springs into rear position (B) for firm ride.
- Install springs in all four positions (A and B) for the firmest ride. (Order additional springs from your John Deere dealer.)

Adjusting Rear Wheel Spacing

NOTE: • Tractors equipped the bar tires should always have tires mounted with TRACTION ARROW pointing towards the front of tractor.

• Tractors equipped with 48C Mower Decks: Due to rear tire and left rear gage wheel bracket interference, the rear wheels cannot be put into the wide position.

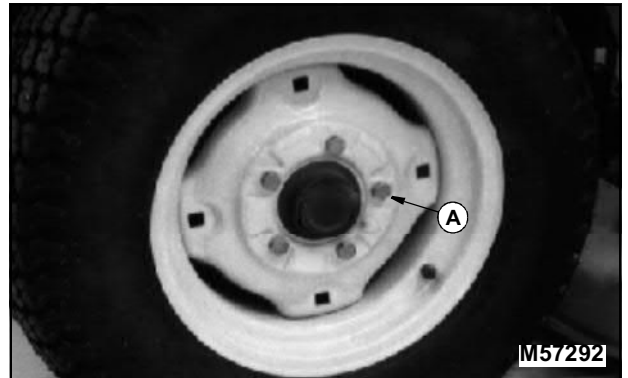
1. Park tractor on a level surface.

2. STOP engine and LOCK park brake.



CAUTION: Avoid injury! Do not work under a raised tractor unless it is safely supported. A tractor that slips and falls off a jack could cause serious injury or death.

3. Put blocks in front and back of front wheels.



4. Loosen five rear wheel bolts (A). Lift rear wheels off the ground with floor jack or hoist.
5. Remove wheel bolts.
6. Reverse wheels to change spacing:
 - Narrow Position: Install wheel with valve stem on the outside. Overall tire width will be approximately 990 mm (39 in.).
 - Wide Position: Install wheel with valve stem on the inside. Overall tire width will be approximately 1060 mm (41.7 in.).
7. Tighten wheel bolts to 88 N•m (65 lb-ft.).
8. Lower rear wheels to the ground. Remove blocks from front wheels.

Testing Safety Systems



CAUTION: Avoid injury! Engine exhaust fumes can cause sickness or death.

- If it is necessary to run an engine in an enclosed area, remove the exhaust fumes for the area with an exhaust pipe extension.
- If you do not have an exhaust pipe extension, open the doors and get outside air into the area.

Service Interval: Check the safety system every 50 hours of operation.

OPERATING

Use the following checkout procedure to check for normal operation of tractor.

If there is a malfunction during one of these procedures, DO NOT operate tractor. (See your John Deere dealer for service.)

IMPORTANT: Avoid damage! Tests 1, 2 and 3 are performed WITHOUT the engine running.

Perform these tests in a clear open area. Keep bystanders away.

Test 1

Check operation of indicator lights:



1. Turn key (A) to RUN position (B).



2. LOOK: Indicator light (C) must light.
 - If indicator does not light, see Replacing Indicator Light Bulb in Service-Electrical section.
 - If new indicator bulb does not light, see your John Deere dealer.

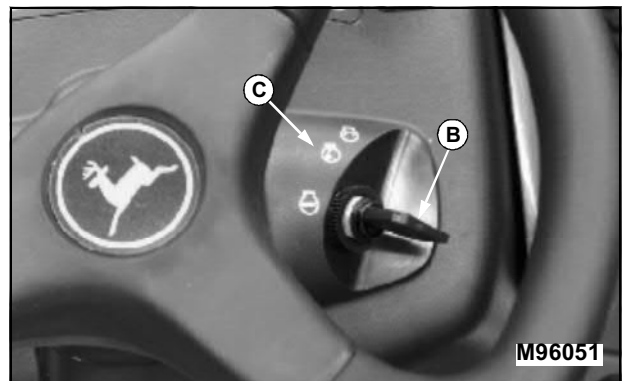
Test 2

IMPORTANT: Avoid damage! If test fails, the engine may start and tractor may move.

Test brake switch:



1. Unlock park brake (A). Release lever and brake pedal.



2. Turn key (B) to START position (C).
3. Engine must not crank.

Test 3

IMPORTANT: Avoid damage! If test fails, the engine may start and PTO may engage.

Test PTO switch:



1. Depress brake pedal (A), or lock park brake.



Suggest:

If the above button click is invalid.

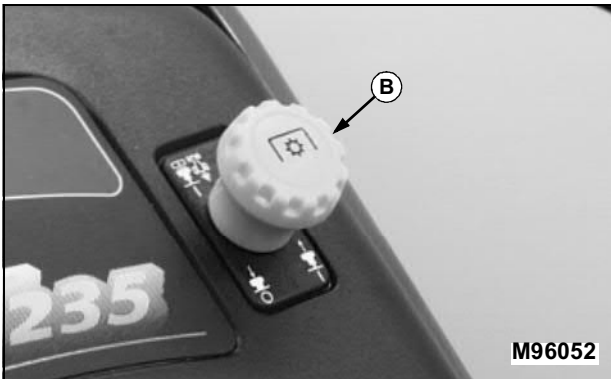
Please download this document

first, and then click the above link

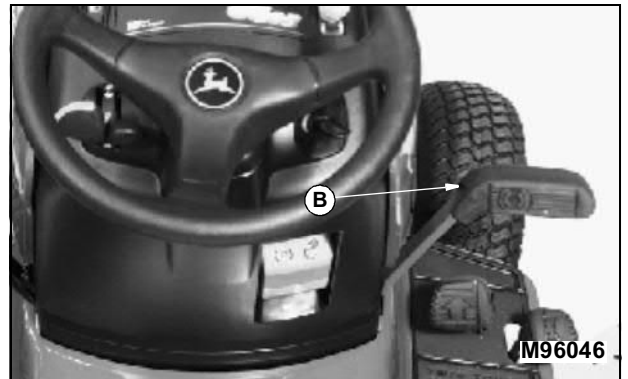
to download the complete manual.

Thank you so much for reading

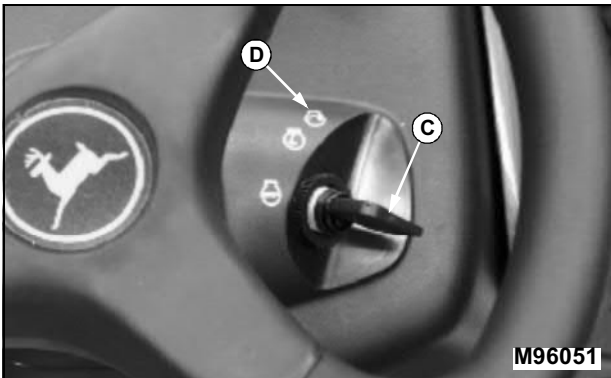
OPERATING



2. ENGAGE PTO (B).



c. Unlock park brake and release brake pedal (B).



3. Turn key (C) to START position (D).

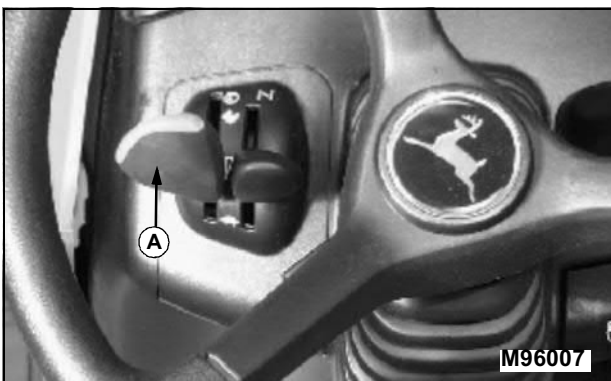
4. Engine must NOT crank.

Test 4

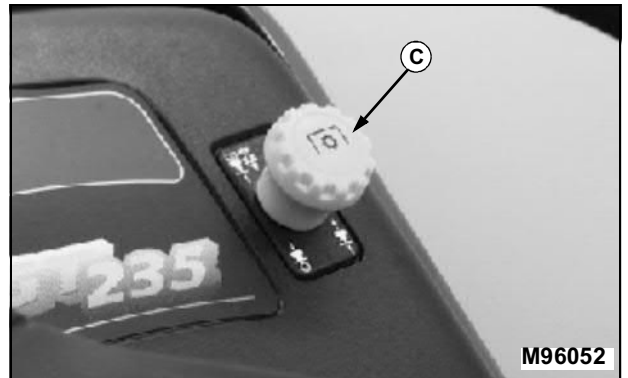
Test seat switch:

1. First part of test:

a. Start engine.



b. Move throttle lever (A) up to MAXIMUM (🐎) engine speed.



d. ENGAGE PTO (C).



e. Raise up off seat. DO NOT get off tractor.

f. After an approximate 1/2 second delay, engine should begin to die and PTO should shut off (mower blades should stop).

<https://www.ebooklibonline.com>

Hello dear friend!

Thank you very much for reading.

Enter the link into your browser.

The full manual is available for immediate download.

<https://www.ebooklibonline.com>