

JOHN DEERE
AG & TURF DIVISION

Front Hitch

OMLVU20139 G1

OPERATOR'S MANUAL



JOHN DEERE

Original Instruction

All information, illustrations and specifications in this manual are based on the latest information at the time of publication. The right is reserved to make changes at any time without notice.

COPYRIGHT© 2011
Deere & Co.

John Deere Ag & Turf Division
All rights reserved
Previous Editions
COPYRIGHT© 2007

Introduction

Table of Contents

| | |
|------------------------------|----|
| Introduction..... | 1 |
| Product Identification..... | 1 |
| Safety..... | 1 |
| Preparing Vehicle..... | 2 |
| Assembly..... | 3 |
| Installing..... | 8 |
| Removing and Storing..... | 10 |
| Operating..... | 11 |
| Service..... | 11 |
| Getting Quality Service..... | 11 |

Introduction

Using Your Operator's Manual

Read this entire operator's manual, especially the safety information, before operating.

This manual is an important part of your machine. Keep all manuals in a convenient location so they can be accessed easily.

Use the safety and operating information in the attachment operator's manual, along with the machine operator's manual, to operate and service the attachment safely and correctly.

If your attachment manual has a section called Preparing the Machine, it means that you will have to do something to your tractor or vehicle before you can install the attachment. The Assembly and Installation sections of this manual provide information to assemble and install the attachment to your tractor or vehicle. Use the Service section to make any needed adjustments and routine service to your attachment.

If you have any questions or concerns with the assembly, installation, or operation of this attachment, see your local John Deere dealer or call the John Deere Customer Contact Center at 1-800-537-8233 for assistance.

Warranty information on this John Deere attachment can be found in the warranty that came with your John Deere tractor or vehicle.

Product Identification

Product Compatibility

The front hitch is designed for use with compact utility tractors. The front hitch is recommended for installation on machine models 3120, 3320, 3520 and 3720 only.

Contact your John Deere dealer before installation on any other machines.

Record Purchase Information

Record your purchase information in the spaces provided below.

DATE OF PURCHASE:

DEALER NAME:

DEALER PHONE:

PRODUCT SERIAL NUMBER:

Safety

Read Safety in Machine Operator's Manual

Read the general safety operating precautions in your machine operator's manual for additional safety information.

Operate Safely

- Read the machine and attachment operator's manual carefully. Be thoroughly familiar with the controls and the proper use of the equipment. Know how to stop the machine and disengage the controls quickly.
- Only allow responsible adults, who are familiar with the instructions to operate the machine.
- Inspect machine before you operate. Be sure hardware is tight. Repair or replace damaged, badly worn, or missing parts. Be sure guards and

Preparing Vehicle

shields are in good condition and fastened in place. Make any necessary adjustments before you operate.

- If you hit an object, stop the machine and inspect it. Make repairs before you operate. Keep machine properly maintained and in good working order. Keep all shields and guards in place.
- Use recommended ballast.
- Look behind machine before you back up. Back up carefully.
- Do not let anyone, especially children, ride on machine or attachment. Riders are subject to injury such as being struck by foreign objects and being thrown off. Riders may also obstruct the operator's view, resulting in the machine being operated in an unsafe manner.
- Slow down before turning. Avoid sudden turns.

Parking Safely

1. Stop machine on a level surface, not on a slope.
2. Disengage PTO and stop attachments.
3. Lower attachments to the ground.
4. Lock park brake.
5. Stop engine.
6. Remove key.
7. Wait for engine and all moving parts to stop before you leave the operator's station.
8. Close fuel shut off valve before servicing the fuel system, if your machine is equipped.
9. Disconnect the battery ground cable before making repairs to electrical system or doing any welding.

Stay Clear of Rotating Drivelines

Entanglement in rotating driveline can cause serious injury or death.

- Wear close fitting clothing.
- Stop the engine and be sure PTO driveline is stopped before getting near it.

Practice Safe Maintenance

- Only qualified, trained adults should service this machine.
- Understand service procedure before doing work. Keep area clean and dry.
- Do not operate the engine in a confined space where dangerous carbon monoxide fumes can collect.
- Never lubricate, service or adjust the machine or attachment while it is moving. Keep safety devices in place and in working condition. Keep hardware tight.
- Keep hands, feet, clothing, jewelry, and long hair away from any moving parts, to prevent them from getting caught.
- Lower any attachment completely to the ground or to an existing attachment mechanical stop before servicing the attachment. Disengage all power and stop the engine. Lock park brake and remove the key. Let machine cool.
- Disconnect battery or remove spark plug wire (for gasoline engines) before making any repairs.
- Before servicing machine or attachment, carefully release pressure from any components with stored energy, such as hydraulic components and springs.
- Release hydraulic pressure by lowering attachment or cutting units to the

ground or to a mechanical stop and move hydraulic control levers.

- Securely support any machine or attachment elements that must be raised for service work. Use jack stands or lock service latches to support components when needed.
- Never run engine unless park brake is locked.
- Keep all parts in good condition and properly installed. Fix damage immediately. Replace worn or broken parts. Replace all worn or damaged safety and instruction decals.
- Check all hardware at frequent intervals to be sure the equipment is in safe working condition.
- Do not modify machine or safety devices. Unauthorized modifications to the machine or attachment may impair its function and safety.



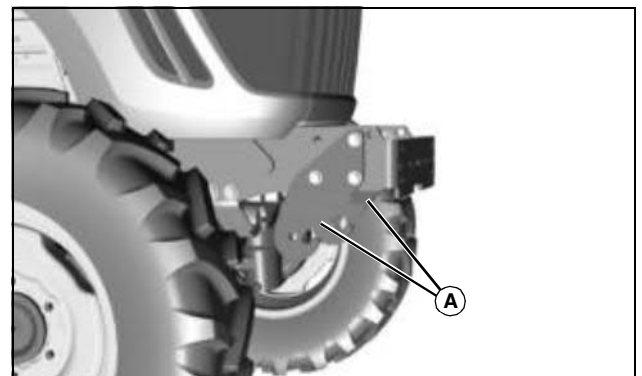
Avoid High Pressure Fluids

- Hydraulic hoses and lines can fail due to physical damage, kinks, age, and exposure. Check hoses and lines regularly. Replace damaged hoses and lines.
- Hydraulic fluid connections can loosen due to physical damage and vibration. Check connections regularly. Tighten loose connections.
- Escaping fluid under pressure can penetrate the skin causing serious injury. Avoid the hazard by relieving pressure before disconnecting hydraulic or other lines. Tighten all connections before applying pressure.
- Search for leaks with a piece of cardboard. Protect hands and body from high pressure fluids.
- If an accident occurs, see a doctor immediately. Any fluid injected into the skin must be surgically removed within a few hours or gangrene may result. Doctors unfamiliar with this type of injury should reference a knowledgeable medical source. Such information is available from Deere & Company Medical Department in Moline, Illinois, U.S.A. Information may be obtained in the United States and Canada only by calling 1-800-822-8262.

Preparing Vehicle

Prepare Tractor

1. Park machine safely. (See Parking Safely in SAFETY.)
2. Remove front weights if installed.



MX17728

3. Remove lift mounting plates (A) if mid-mount mower was installed.

<https://www.ebooklibonline.com>

Hello dear friend!

Thank you very much for reading.

Enter the link into your browser.

The full manual is available for immediate download.

<https://www.ebooklibonline.com>

<https://www.ebooklibonline.com>

Hello dear friend!

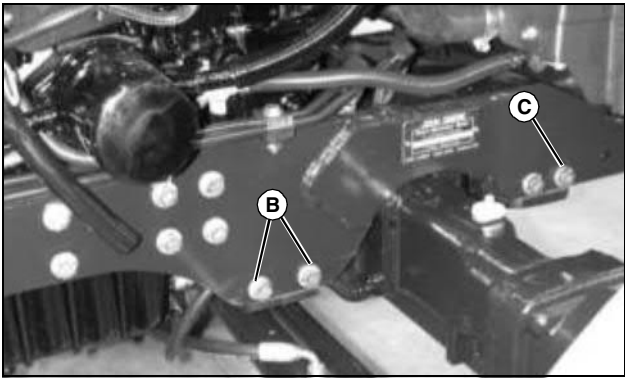
Thank you very much for reading.

Enter the link into your browser.

The full manual is available for immediate download.

<https://www.ebooklibonline.com>

Assembly

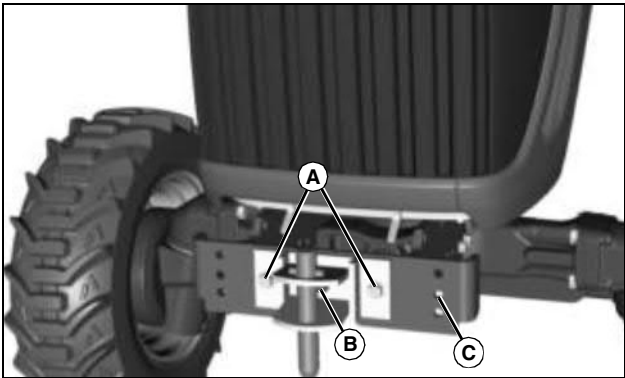


MX22098

4. Remove cap screws (B) from right side of machine.
5. Remove cap screw (C) from both sides of machine.

Move Tow Hitch

- If tow hitch is installed on front weight bracket:

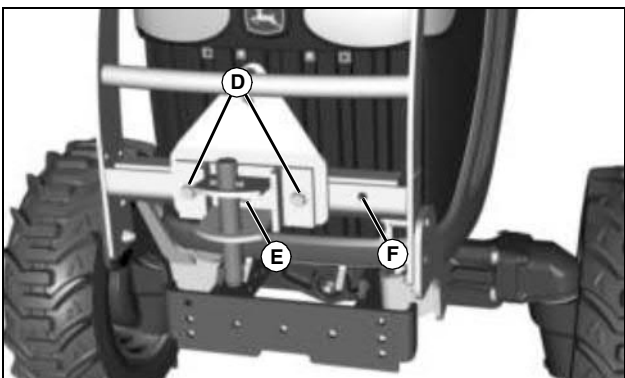


MX22040

- a. Remove nuts, bolts (A) and hitch.
- b. Install hitch on left side of bracket using center hole (B) and hole (C).

- If tow hitch is installed on hood guard:

- a. See Tow Hitch Support Kit installation instructions.



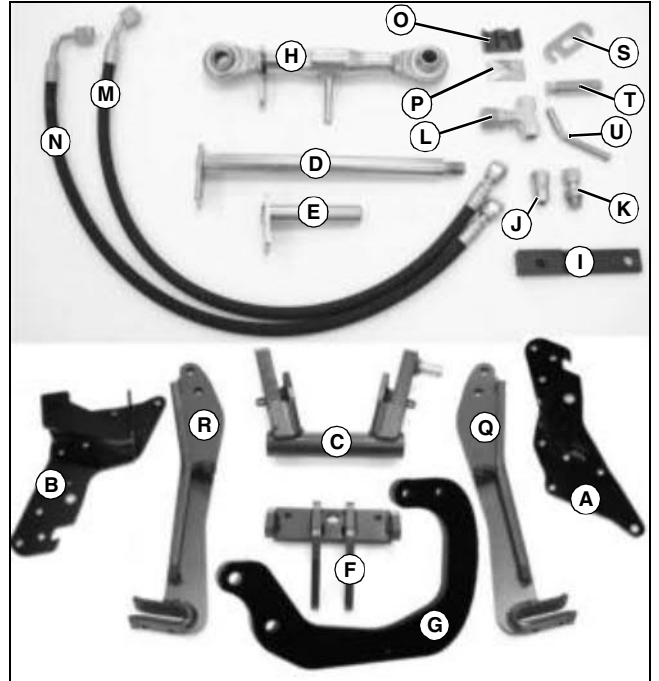
MX22041

- b. Remove nuts, bolts (D) and hitch.
- c. Install hitch on left side of hood guard using center hole (E) and hole (F) with 13.5 x 19 x 8 mm spacer included in Tow Hitch Support Kit.

Assembly

Parts

Hitch Parts



MX22089

| Qty. | Description |
|------|--------------------------|
| 1 | Bracket, Left Mount (A) |
| 1 | Bracket, Right Mount (B) |
| 5 | Screw, M12 x 50 |
| 1 | Screw, M12 x 60 |
| 10 | Nut, M12 |
| 20 | Washer, 12 mm |
| 2 | Fitting, Grease |
| 1 | Bracket, Lower Pivot (C) |
| 1 | Rod, Lower Pivot (D) |
| 1 | Cylinder, Hydraulic |
| 1 | Rod, Cylinder Pivot (E) |
| 1 | Washer, 18 mm |
| 1 | Nut, M18 |
| 2 | Screw, M8 x 35 |
| 5 | Washer, 8 mm |
| 3 | Nut, M8 |
| 1 | Ring, Snap |



Suggest:

If the above button click is invalid.

Please download this document

first, and then click the above link

to download the complete manual.

Thank you so much for reading

Assembly

| Qty. | Description |
|------|---------------------------------|
| 1 | Bracket, Center Link (F) |
| 8 | Screw, M12 x 65 |
| 2 | Screw, M16 x 70 |
| 4 | Washer, 16 mm |
| 2 | Nut, M16 |
| 1 | Brace (G) |
| 1 | Center Link (H) |
| 1 | Pin, Link |
| 4 | Pin, Lynch |
| 3 | Pin, Spring Locking* |
| 1 | Support, Hose Clamp (I) |
| 8 | Bushing |
| 2 | Fitting, 90 Degree Swivel Elbow |
| 3 | Fitting, Union (J) |
| 1 | Fitting, Union (K) |
| 2 | Fitting, Male Quick Coupler |
| 1 | Valve, Hitch Control (L) |
| 1 | Fitting, 90 Degree |
| 1 | Fitting, Straight Stud |
| 1 | Hose, 45 Degree Elbow (M) |
| 1 | Hose, 90 Degree Elbow (N) |
| 1 | Support, Hose |
| 2 | Clamp, Hose Support (O) |
| 1 | Plate, Clamp (P) |
| 1 | Screw, M8 x 60 |
| 1 | Cover, Hydraulic Coupler (Blue) |
| 1 | Cover, Hydraulic Coupler (Red) |
| 1 | Lift Arm, Left (Q) |
| 1 | Lift Arm, Right (R) |
| 2 | Plate, Pin Retainer (S) |
| 4 | Pin, Lift Arm Retention (T) |
| 2 | Pin, Lift Hook (U)* |
| 2 | Screw, M10 x 60 |
| 2 | Locknut, M10 |
| 1 | Fitting, Adjustable Stud Elbow* |

Front PTO Bracket Parts

| Qty. | Description |
|------|--------------------|
| 1 | Support, Front PTO |
| 4 | Screw, M16 x 70 |
| 10 | Washer, 16 mm |
| 4 | Nut, M16 |

*Two lift hook pins and two spring locking pins are included in kit to be used in place of two M10 x 60 screws and two M10 locknuts. Typical installation will use the screws, not the spring locking pins.

Assemble Hitch

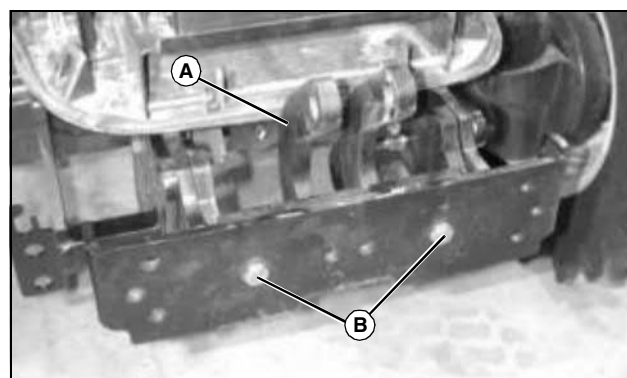


CAUTION: Avoid injury! Escaping fluid under pressure can penetrate skin and cause serious injury, including gangrene.

- Relieve pressure before disconnecting hydraulic or other pressurized lines.
- Use a piece of cardboard to search for leaks. Do not expose hands or body to high pressure fluids.
- Tighten all connections before applying pressure.

Install Hitch

IMPORTANT: Avoid damage! Left and right mount brackets must fit snugly against tractor frame. Clean the tractor frame and grind away any weld spatter before installing the mount brackets. Chamfer or bevel the top edge of the mount brackets to fit over weldments if needed.



MX22092

1. Install center link bracket (A) on front of machine with two M12 x 50 screws (B), four 12 mm washers and two M12 nuts.

*Fitting not for use with all tractor models.