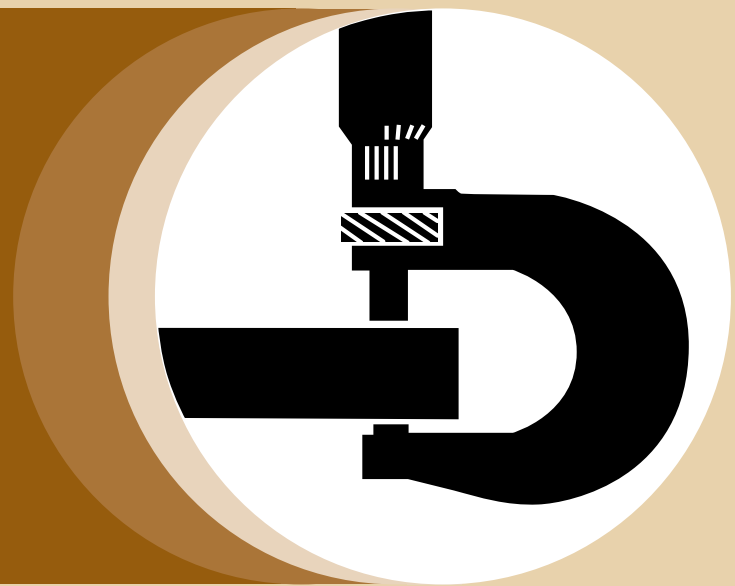


Alternators and Starter Motors

COMPONENT TECHNICAL MANUAL



Deere Power Systems Group
CTM77 (30OCT00)

LITHO IN U.S.A.
ENGLISH



Introduction

Foreword

This manual is written for an experienced technician. Essential tools required in performing certain service work are identified in this manual and are recommended for use.

Live with safety: Read the safety messages in the introduction of this manual and the cautions presented throughout the text of the manual.



CAUTION: This is the safety-alert symbol. When you see this symbol on the machine or in this manual, be alert to the potential for personal injury.

This Component Technical Manual (CTM) contains the latest available instructions necessary to repair engine alternators and starter motors. It includes theory of operation, and diagnostic and testing procedures to help troubleshoot and understand potential failure modes.

The information is organized in sections and groups by various suppliers. At the beginning of each repair group are summary listings of all applicable essential tools, service equipment and tools, other materials needed to do the job, service parts kits, specifications, wear tolerances, and torque values.

Component Technical Manuals are concise service guides for specific components. They are written as stand-alone manuals covering multiple machine applications.

Fundamental service information is available from other sources covering basic theory of operation, fundamentals of troubleshooting, general maintenance, and basic types of failures and their causes.

This manual covers alternator and starter motor applications for all John Deere diesel engines—both older 300/400/500-Series and newer POWERTECH® 2.9 L—12.5 L engines. This manual covers components for both Deere OEM engines and Deere machine engine applications.

NOTE: Remanufactured alternators and starter motors are available for replacement on most applications listed in this manual. Refer to John Deere's "Remanufactured Components" catalogs to cross-reference your original equipment part number and obtain a suitable remanufactured replacement starter or alternator.

John Deere Dealers

IMPORTANT: Please copy this page listing changes and route it through your service department.

This CTM is a complete revision of CTM77, Alternators and Starter Motors, dated 15 MAR 97.

This manual covers alternators and starter motors on most John Deere applications manufactured since 1972, except 40, 50 and 55 Series Utility Tractors.

New information added to this manual includes:

- Section 45—Leece-Neville Alternators
- Section 50—Prestolite Alternators

Revised information includes:

1. Updated specifications for all current alternators and starter motors, including those adopted since the 15 MAR 97 edition.
2. Added new applications and specifications for all current alternators and starter motors.

OUO1004,0000B49 -19-15SEP00-1/1

<https://www.ebooklibonline.com>

Hello dear friend!

Thank you very much for reading.

Enter the link into your browser.

The full manual is available for immediate download.

<https://www.ebooklibonline.com>

Contents

SECTION 05—Introduction and Safety Information

- Group 05—Safety
- Group 10—General Information
- Group 15—Electrical System Basic Information and Wiring Diagrams

SECTION 10—Delco-Remy Alternators

- Group 05—Delco-Remy Alternator Theory of Operation
- Group 10—Delco-Remy (Delcotron) 10SI, 12SI and 15SI Alternator Repair
- Group 15—Delco-Remy (Delcotron) 21SI Alternator Repair

SECTION 15—Motorola Alternators

- Group 05—Motorola Alternator Theory of Operation
- Group 10—Motorola 8E-Series Alternator Repair
- Group 15—Motorola HC-, MA-, MR-Series Alternator Repair
- Group 20—Motorola A-, RA-, 8AR-Series Alternator Repair
- Group 25—Motorola SA-Series Alternator Repair
- Group 30—Motorola TA-Series Alternator Repair

SECTION 20—Nihoff Alternators

- Group 05—Nihoff Alternator Theory of Operation
- Group 10—Nihoff 12-Volt, 110-Amp Alternator Repair
- Group 15—Nihoff 24-Volt, 50-Amp Alternator Repair

SECTION 25—Denso Alternators

- Group 05—Denso Alternator Theory of Operation
- Group 10—Denso Alternator with Add-On Regulator Repair
- Group 15—Denso Alternator with Built-In Regulator Repair

SECTION 30—Robert Bosch Alternators

- Group 05—Robert Bosch Alternator Theory of Operation
- Group 10—Robert Bosch Alternator Repair

SECTION 35—Valeo Alternators

- Group 05—Valeo Alternator Theory of Operation
- Group 10—Valeo Alternator Repair
- Group 15—Valeo A13N-Series Alternator Repair

SECTION 40—Magnetron Alternators

- Group 05—Magnetron Alternator Theory of Operation
- Group 10—Magnetron Alternator Repair

SECTION 45—Leece-Neville Alternators

- Group 05—Leece-Neville Alternator Theory of Operation
- Group 10—Leece-Neville Alternator Repair

SECTION 50—Prestolite Alternators

- Group 05—Prestolite Alternator Theory of Operation
- Group 10—Prestolite Alternator Repair

SECTION 60—Delco-Remy Starter Motors

- Group 05—Starting Circuit Theory of Operation
- Group 10—Delco-Remy 10/20/22/25/27/28MT Starter Motor Repair
- Group 15—Delco-Remy 30MT, 35MT, 37MT Starter Motor Repair
- Group 20—Delco-Remy 40MT, 41MT, 42MT, 50MT Starter Motor Repair

SECTION 65—John Deere/Denso Starter Motors

- Group 05—Starting Circuit Theory of Operation
- Group 10—John Deere/Denso Conventional Starter Motor Repair
- Group 15—John Deere/Denso Gear Reduction Starter Motor Repair

SECTION 70—Robert Bosch Starter Motors

- Group 05—Starting Circuit Theory of Operation
- Group 10—Robert Bosch Starter Motor Repair

SECTION 75—Iskra Starter Motors

- Group 05—Starting Circuit Theory of Operation
- Group 10—Iskra Starter Motor Repair

SECTION 80—Valeo Starter Motors

- Group 05—Starting Circuit Theory of Operation
- Group 10—Valeo Starter Motor Repair

All information, illustrations and specifications in this manual are based on the latest information available at the time of publication. The right is reserved to make changes at any time without notice.

COPYRIGHT © 2000
DEERE & COMPANY
Moline, Illinois
All rights reserved
A John Deere ILLUSTRATION® Manual
Previous Editions
Copyright © 1994, 1997

Section 05

Introduction and Safety Information

Contents

| | Page |
|---|----------|
| Group 05—Safety | 05-05-1 |
| Group 10—General Information | |
| Unified Inch Bolt and Cap Screw Torque Values | 05-10-1 |
| Metric Bolt and Cap Screw Torque Values . . . | 05-10-2 |
| Group 15—Electrical System Basic Information and Wiring Diagrams | |
| Electrical Circuit Malfunctions | 05-15-1 |
| High Resistance Circuit | 05-15-2 |
| Open Circuit | 05-15-3 |
| Grounded Circuit | 05-15-5 |
| Shorted Circuit | 05-15-7 |
| Seven Step Electrical Test Procedure | 05-15-8 |
| Multimeter | 05-15-10 |

Handle Fluids Safely—Avoid Fires

When you work around fuel, do not smoke or work near heaters or other fire hazards.

Store flammable fluids away from fire hazards. Do not incinerate or puncture pressurized containers.

Make sure machine is clean of trash, grease, and debris.

Do not store oily rags; they can ignite and burn spontaneously.



TS227 -UN-23AUG88

DX,FLAME -19-29SEP98-1/1

Prevent Battery Explosions

Keep sparks, lighted matches, and open flame away from the top of battery. Battery gas can explode.

Never check battery charge by placing a metal object across the posts. Use a volt-meter or hydrometer.

Do not charge a frozen battery; it may explode. Warm battery to 16°C (60°F).



TS204 -UN-23AUG88

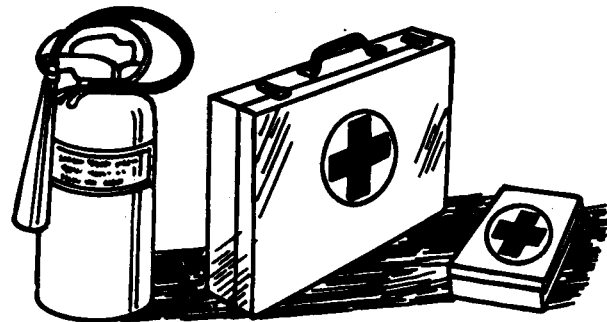
DX,SPARKS -19-03MAR93-1/1

Prepare for Emergencies

Be prepared if a fire starts.

Keep a first aid kit and fire extinguisher handy.

Keep emergency numbers for doctors, ambulance service, hospital, and fire department near your telephone.



TS291 -UN-23AUG88

DX,FIRE2 -19-03MAR93-1/1

Handling Batteries Safely

! **CAUTION:** Battery gas can explode. Keep sparks and flames away from batteries. Use a flashlight to check battery electrolyte level.

Never check battery charge by placing a metal object across the posts. Use a voltmeter or hydrometer.

Always remove grounded (—) battery clamp first and replace it last.

! **CAUTION:** Sulfuric acid in battery electrolyte is poisonous. It is strong enough to burn skin, eat holes in clothing, and cause blindness if splashed into eyes.

Avoid the hazard by:

1. Filling batteries in a well-ventilated area.
2. Wearing eye protection and rubber gloves.
3. Avoiding breathing fumes when electrolyte is added.
4. Avoiding spilling or dripping electrolyte.
5. Using proper jump start procedure.

If you spill acid on yourself:

1. Flush your skin with water.
2. Apply baking soda or lime to help neutralize the acid.
3. Flush your eyes with water for 15—30 minutes. Get medical attention immediately.

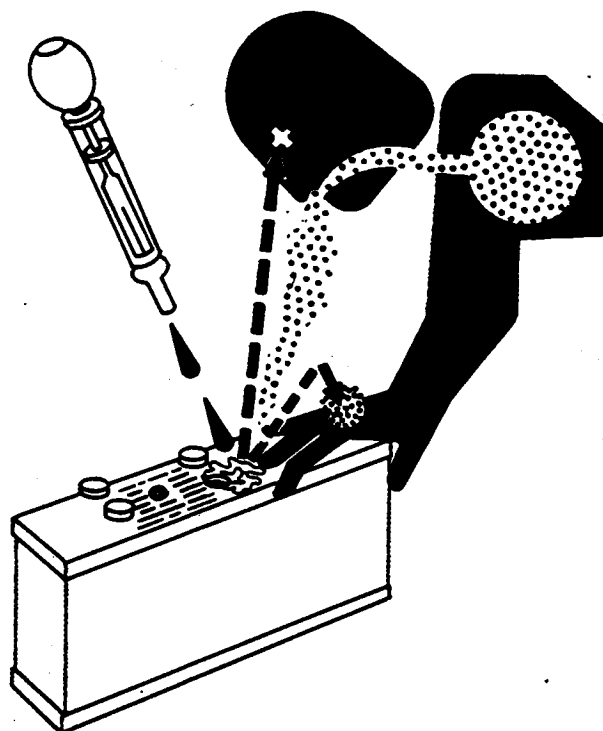
If acid is swallowed:

1. Do not induce vomiting.
2. Drink large amounts of water or milk, but do not exceed 2 L (2 quarts).
3. Get medical attention immediately.

WARNING: Battery posts, terminals, and related accessories contain lead and lead compounds, chemicals known to the State of California to cause cancer and reproductive harm. **Wash hands after handling.**



TS204 -UN-23AUG88



TS203 -UN-23AUG88

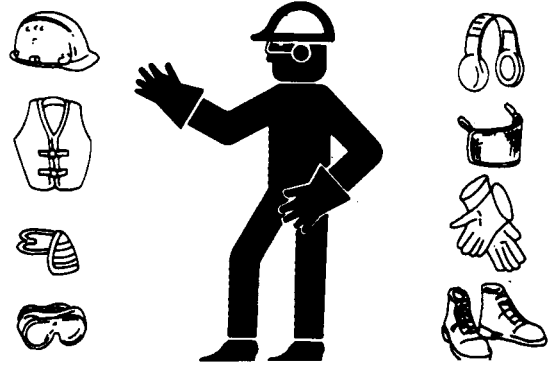
Wear Protective Clothing

Wear close fitting clothing and safety equipment appropriate to the job.

Prolonged exposure to loud noise can cause impairment or loss of hearing.

Wear a suitable hearing protective device such as earmuffs or earplugs to protect against objectionable or uncomfortable loud noises.

Operating equipment safely requires the full attention of the operator. Do not wear radio or music headphones while operating machine.



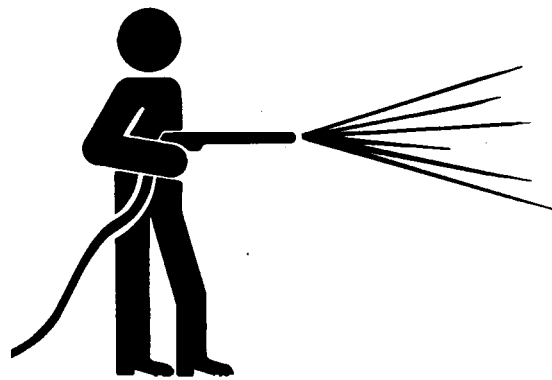
TS206 -JUN-23AUG88

DX,WEAR -19-10SEP90-1/1

Work in Clean Area

Before starting a job:

- Clean work area and machine.
- Make sure you have all necessary tools to do your job.
- Have the right parts on hand.
- Read all instructions thoroughly; do not attempt shortcuts.



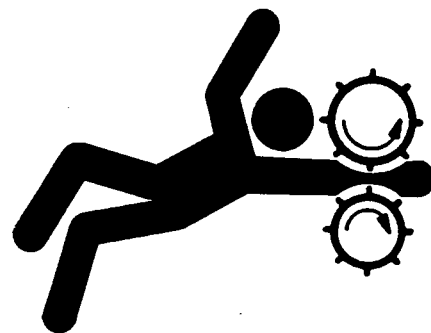
T6642EJ -JUN-18OCT88

DX,CLEAN -19-04JUN90-1/1

Service Machines Safely

Tie long hair behind your head. Do not wear a necktie, scarf, loose clothing, or necklace when you work near machine tools or moving parts. If these items were to get caught, severe injury could result.

Remove rings and other jewelry to prevent electrical shorts and entanglement in moving parts.



TS228 -JUN-23AUG88

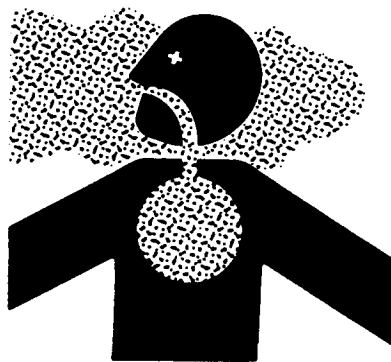
DX,LOOSE -19-04JUN90-1/1

05
05
4

Work In Ventilated Area

Engine exhaust fumes can cause sickness or death. If it is necessary to run an engine in an enclosed area, remove the exhaust fumes from the area with an exhaust pipe extension.

If you do not have an exhaust pipe extension, open the doors and get outside air into the area



TS220 -UN-23AUG88

DX,AIR -19-17FEB99-1/1

Illuminate Work Area Safely

Illuminate your work area adequately but safely. Use a portable safety light for working inside or under the machine. Make sure the bulb is enclosed by a wire cage. The hot filament of an accidentally broken bulb can ignite spilled fuel or oil.



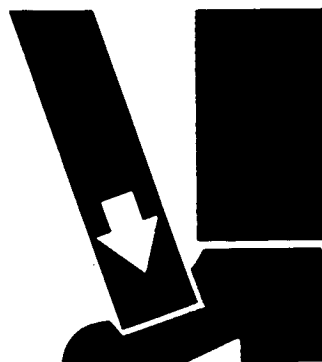
TS223 -UN-23AUG88

DX,LIGHT -19-04JUN90-1/1

Use Proper Lifting Equipment

Lifting heavy components incorrectly can cause severe injury or machine damage.

Follow recommended procedure for removal and installation of components in the manual.



TS226 -UN-23AUG88

DX,LIFT -19-04JUN90-1/1

Remove Paint Before Welding or Heating

Avoid potentially toxic fumes and dust.

Hazardous fumes can be generated when paint is heated by welding, soldering, or using a torch.

Remove paint before heating:

- Remove paint a minimum of 76 mm (3 in.) from area to be affected by heating.
- If you sand or grind paint, avoid breathing the dust. Wear an approved respirator.
- If you use solvent or paint stripper, remove stripper with soap and water before welding. Remove solvent or paint stripper containers and other flammable material from area. Allow fumes to disperse at least 15 minutes before welding or heating.

Do all work in an area that is ventilated to carry toxic fumes and dust away.

Dispose of paint and solvent properly.



TSS20 -JUN-23AUG88

DX,PAINT -19-22OCT99-1/1

05
05
6

Practice Safe Maintenance

Understand service procedure before doing work. Keep area clean and dry.

Never lubricate, service, or adjust machine while it is moving. Keep hands, feet, and clothing from power-driven parts. Disengage all power and operate controls to relieve pressure. Lower equipment to the ground. Stop the engine. Remove the key. Allow machine to cool.

Securely support any machine elements that must be raised for service work.

Keep all parts in good condition and properly installed. Fix damage immediately. Replace worn or broken parts. Remove any buildup of grease, oil, or debris.

On self-propelled equipment, disconnect battery ground cable (-) before making adjustments on electrical systems or welding on machine.

On towed implements, disconnect wiring harnesses from tractor before servicing electrical system components or welding on machine.



TS218 -UN-23AUG88

DX,SERV -19-17FEB99-1/1

Use Proper Tools

Use tools appropriate to the work. Makeshift tools and procedures can create safety hazards.

Use power tools only to loosen threaded parts and fasteners.

For loosening and tightening hardware, use the correct size tools. DO NOT use U.S. measurement tools on metric fasteners. Avoid bodily injury caused by slipping wrenches.

Use only service parts meeting John Deere specifications.



TS779 -UN-08NOV89

DX,REPAIR -19-17FEB99-1/1

Dispose of Waste Properly

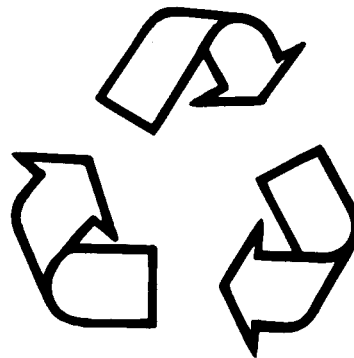
Improperly disposing of waste can threaten the environment and ecology. Potentially harmful waste used with John Deere equipment include such items as oil, fuel, coolant, brake fluid, filters, and batteries.

Use leakproof containers when draining fluids. Do not use food or beverage containers that may mislead someone into drinking from them.

Do not pour waste onto the ground, down a drain, or into any water source.

Air conditioning refrigerants escaping into the air can damage the Earth's atmosphere. Government regulations may require a certified air conditioning service center to recover and recycle used air conditioning refrigerants.

Inquire on the proper way to recycle or dispose of waste from your local environmental or recycling center, or from your John Deere dealer.



TSS1133 -UN-26NOV90

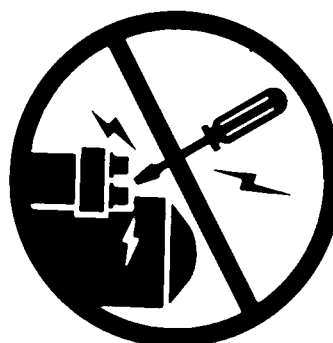
DX,DRAIN -19-03MAR93-1/1

Prevent Machine Runaway

Avoid possible injury or death from machinery runaway.

Do not start engine by shorting across starter terminals. Machine will start in gear if normal circuitry is bypassed.

NEVER start engine while standing on ground. Start engine only from operator's seat, with transmission in neutral or park.



TS177 -UN-11JAN89

DX,BYPAS1 -19-29SEP98-1/1

Live With Safety

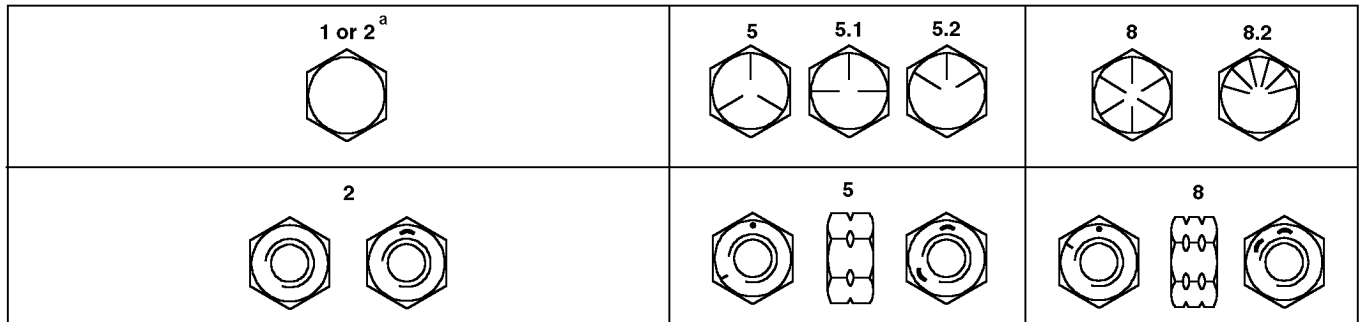
Before returning machine to customer, make sure machine is functioning properly, especially the safety systems. Install all guards and shields.



TS231 -19-07OCT88

DX,LIVE -19-25SEP92-1/1

Unified Inch Bolt and Cap Screw Torque Values



Top, SAE Grade and Head Markings; Bottom, SAE Grade and Nut Markings

| Size | Grade 1 (No Mark) | | Grade 2 ^a (No Mark) | | Grade 5, 5.1 or 5.2 | | Grade 8 or 8.2 | |
|-------|---------------------------------------|--------------------------------|---------------------------------------|--------------------------------|---------------------------------------|--------------------------------|---------------------------------------|--------------------------------|
| | Lubricated ^b N•m(lb-ft) | Dry ^c N•m(lb-ft) | Lubricated ^b N•m(lb-ft) | Dry ^c N•m(lb-ft) | Lubricated ^b N•m(lb-ft) | Dry ^c N•m(lb-ft) | Lubricated ^b N•m(lb-ft) | Dry ^c N•m(lb-ft) |
| 1/4 | 3.8 (2.8) | 4.7 (3.5) | 6 (4.4) | 7.5 (5.5) | 9.5 (7) | 12 (9) | 13.5 (10) | 17 (12.5) |
| 5/16 | 7.7 (5.7) | 9.8 (7.2) | 12 (9) | 15.5 (11.5) | 19.5 (14.5) | 25 (18.5) | 28 (20.5) | 35 (26) |
| 3/8 | 13.5 (10) | 17.5 (13) | 22 (16) | 27.5 (20) | 35 (26) | 44 (32.5) | 49 (36) | 63 (46) |
| 7/16 | 22 (16) | 28 (20.5) | 35 (26) | 44 (32.5) | 56 (41) | 70 (52) | 80 (59) | 100 (74) |
| 1/2 | 34 (25) | 42 (31) | 53 (39) | 67 (49) | 85 (63) | 110 (80) | 120 (88) | 155 (115) |
| 9/16 | 48 (35.5) | 60 (45) | 76 (56) | 95 (70) | 125 (92) | 155 (115) | 175 (130) | 220 (165) |
| 5/8 | 67 (49) | 85 (63) | 105 (77) | 135 (100) | 170 (125) | 215 (160) | 240 (175) | 305 (225) |
| 3/4 | 120 (88) | 150 (110) | 190 (140) | 240 (175) | 300 (220) | 380 (280) | 425 (315) | 540 (400) |
| 7/8 | 190 (140) | 240 (175) | 190 (140) | 240 (175) | 490 (360) | 615 (455) | 690 (510) | 870 (640) |
| 1 | 285 (210) | 360 (265) | 285 (210) | 360 (265) | 730 (540) | 920 (680) | 1030 (760) | 1300 (960) |
| 1-1/8 | 400 (300) | 510 (375) | 400 (300) | 510 (375) | 910 (670) | 1150 (850) | 1450 (1075) | 1850 (1350) |
| 1-1/4 | 570 (420) | 725 (535) | 570 (420) | 725 (535) | 1280 (945) | 1630 (1200) | 2050 (1500) | 2600 (1920) |
| 1-3/8 | 750 (550) | 950 (700) | 750 (550) | 950 (700) | 1700 (1250) | 2140 (1580) | 2700 (2000) | 3400 (2500) |
| 1-1/2 | 990 (730) | 1250 (930) | 990 (730) | 1250 (930) | 2250 (1650) | 2850 (2100) | 3600 (2650) | 4550 (3350) |

^a Grade 2 applies for hex cap screws (not hex bolts) up to 6 in. (152 mm) long. Grade 1 applies for hex cap screws over 6 in. (152 mm) long, and for all other types of bolts and screws of any length.

^b "Lubricated" means coated with a lubricant such as engine oil, or fasteners with phosphate and oil coatings.

^c "Dry" means plain or zinc plated without any lubrication.

DO NOT use these values if a different torque value or tightening procedure is given for a specific application. Torque values listed are for general use only. Check tightness of fasteners periodically.

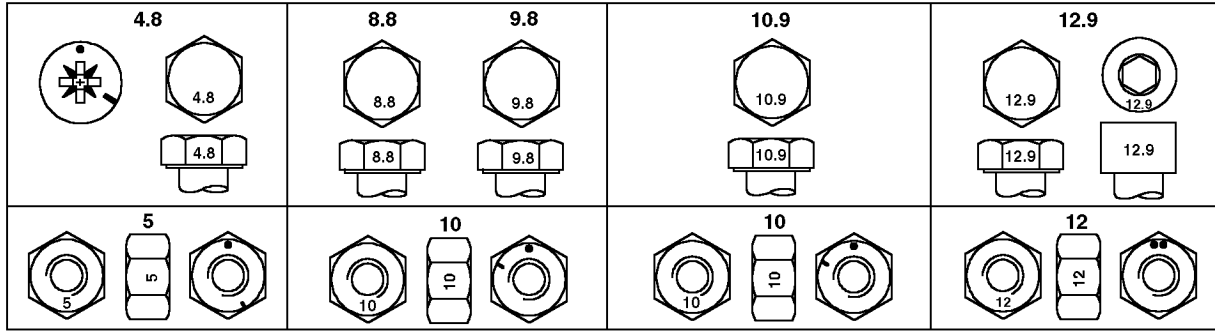
Shear bolts are designed to fail under predetermined loads. Always replace shear bolts with identical grade.

Fasteners should be replaced with the same or higher grade. If higher grade fasteners are used, these should only be tightened to the strength of the original.

Make sure fastener threads are clean and that you properly start thread engagement. This will prevent them from failing when tightening.

Tighten plastic insert or crimped steel-type lock nuts to approximately 50 percent of the dry torque shown in the chart, applied to the nut, not to the bolt head. Tighten toothed or serrated-type lock nuts to the full torque value.

Metric Bolt and Cap Screw Torque Values



Top, Property Class and Head Markings; Bottom, Property Class and Nut Markings

TORQ2 -UN-07SEP99

| Size | Class 4.8 | | Class 8.8 or 9.8 | | Class 10.9 | | Class 12.9 | |
|------|---------------------------------------|--------------------------------|---------------------------------------|--------------------------------|---------------------------------------|--------------------------------|---------------------------------------|--------------------------------|
| | Lubricated ^a N•m(lb-ft) | Dry ^b N•m(lb-ft) | Lubricated ^a N•m(lb-ft) | Dry ^b N•m(lb-ft) | Lubricated ^a N•m(lb-ft) | Dry ^b N•m(lb-ft) | Lubricated ^a N•m(lb-ft) | Dry ^b N•m(lb-ft) |
| M6 | 4.7 (3.5) | 6 (4.4) | 9 (6.6) | 11.5 (8.5) | 13 (9.5) | 16.5 (12.2) | 15.5 (11.5) | 19.5 (14.5) |
| M8 | 11.5 (8.5) | 14.5 (10.7) | 22 (16) | 28 (20.5) | 32 (23.5) | 40 (29.5) | 37 (27.5) | 47 (35) |
| M10 | 23 (17) | 29 (21) | 43 (32) | 55 (40) | 63 (46) | 80 (59) | 75 (55) | 95 (70) |
| M12 | 40 (29.5) | 50 (37) | 75 (55) | 95 (70) | 110 (80) | 140 (105) | 130 (95) | 165 (120) |
| M14 | 63 (46) | 80 (59) | 120 (88) | 150 (110) | 175 (130) | 220 (165) | 205 (150) | 260 (190) |
| M16 | 100 (74) | 125 (92) | 190 (140) | 240 (175) | 275 (200) | 350 (255) | 320 (235) | 400 (300) |
| M18 | 135 (100) | 170 (125) | 265 (195) | 330 (245) | 375 (275) | 475 (350) | 440 (325) | 560 (410) |
| M20 | 190 (140) | 245 (180) | 375 (275) | 475 (350) | 530 (390) | 675 (500) | 625 (460) | 790 (580) |
| M22 | 265 (195) | 330 (245) | 510 (375) | 650 (480) | 725 (535) | 920 (680) | 850 (625) | 1080 (800) |
| M24 | 330 (245) | 425 (315) | 650 (480) | 820 (600) | 920 (680) | 1150 (850) | 1080 (800) | 1350 (1000) |
| M27 | 490 (360) | 625 (460) | 950 (700) | 1200 (885) | 1350 (1000) | 1700 (1250) | 1580 (1160) | 2000 (1475) |
| M30 | 660 (490) | 850 (625) | 1290 (950) | 1630 (1200) | 1850 (1350) | 2300 (1700) | 2140 (1580) | 2700 (2000) |
| M33 | 900 (665) | 1150 (850) | 1750 (1300) | 2200 (1625) | 2500 (1850) | 3150 (2325) | 2900 (2150) | 3700 (2730) |
| M36 | 1150 (850) | 1450 (1075) | 2250 (1650) | 2850 (2100) | 3200 (2350) | 4050 (3000) | 3750 (2770) | 4750 (3500) |

^a "Lubricated" means coated with a lubricant such as engine oil, or fasteners with phosphate and oil coatings.
^b "Dry" means plain or zinc plated without any lubrication.

DO NOT use these values if a different torque value or tightening procedure is given for a specific application. Torque values listed are for general use only. Check tightness of fasteners periodically.

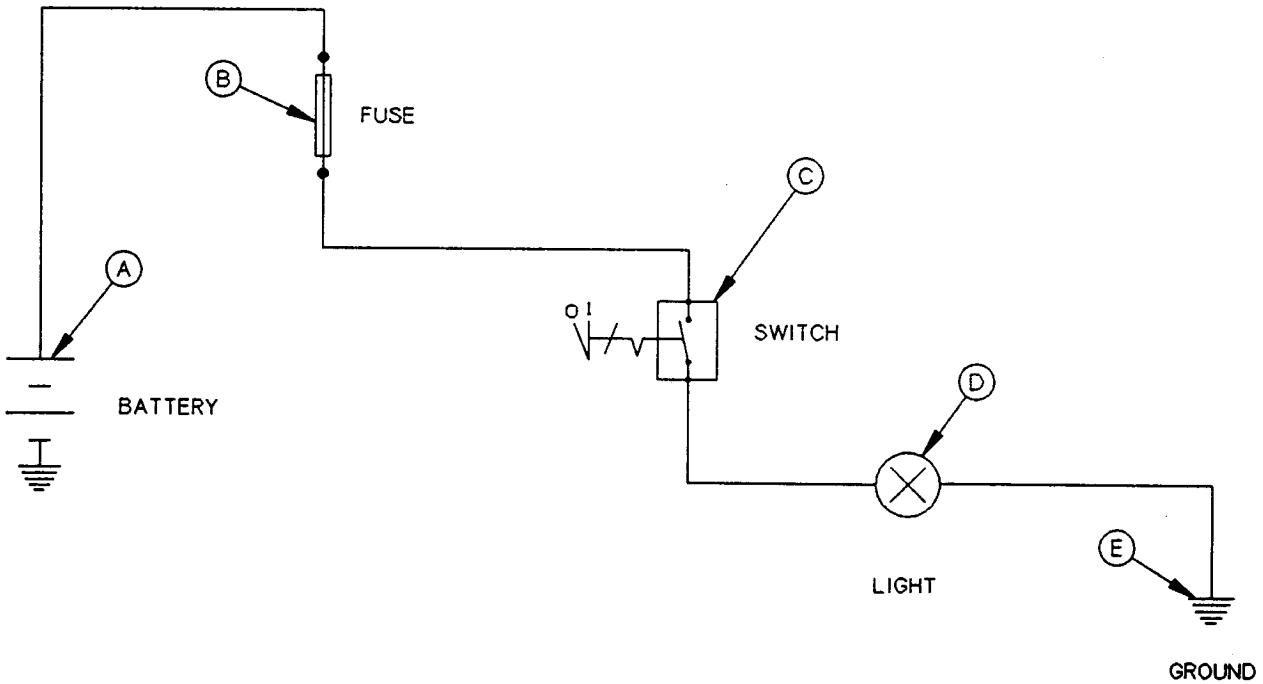
Make sure fastener threads are clean and that you properly start thread engagement. This will prevent them from failing when tightening.

Shear bolts are designed to fail under predetermined loads. Always replace shear bolts with identical property class.

Tighten plastic insert or crimped steel-type lock nuts to approximately 50 percent of the dry torque shown in the chart, applied to the nut, not to the bolt head. Tighten toothed or serrated-type lock nuts to the full torque value.

Fasteners should be replaced with the same or higher property class. If higher property class fasteners are used, these should only be tightened to the strength of the original.

Electrical Circuit Malfunctions



T7713AD (CV)

T7713AD -19-27FEB92

A—Battery
B—Fuse

C—Switch

D—Light

E—Ground

1. There are four common circuit malfunctions.

- High-Resistance Circuit
- Open Circuit
- Grounded Circuit
- Shorted Circuit

2. Three sections in a simple circuit where these malfunctions can occur:

- Before the controlling switch (C).
- Between the controlling switch and before the component, light (D).

- After the component.

Component malfunctions can easily be confused with circuit malfunctions. Therefore, care must be exercised when isolating the cause of a problem.

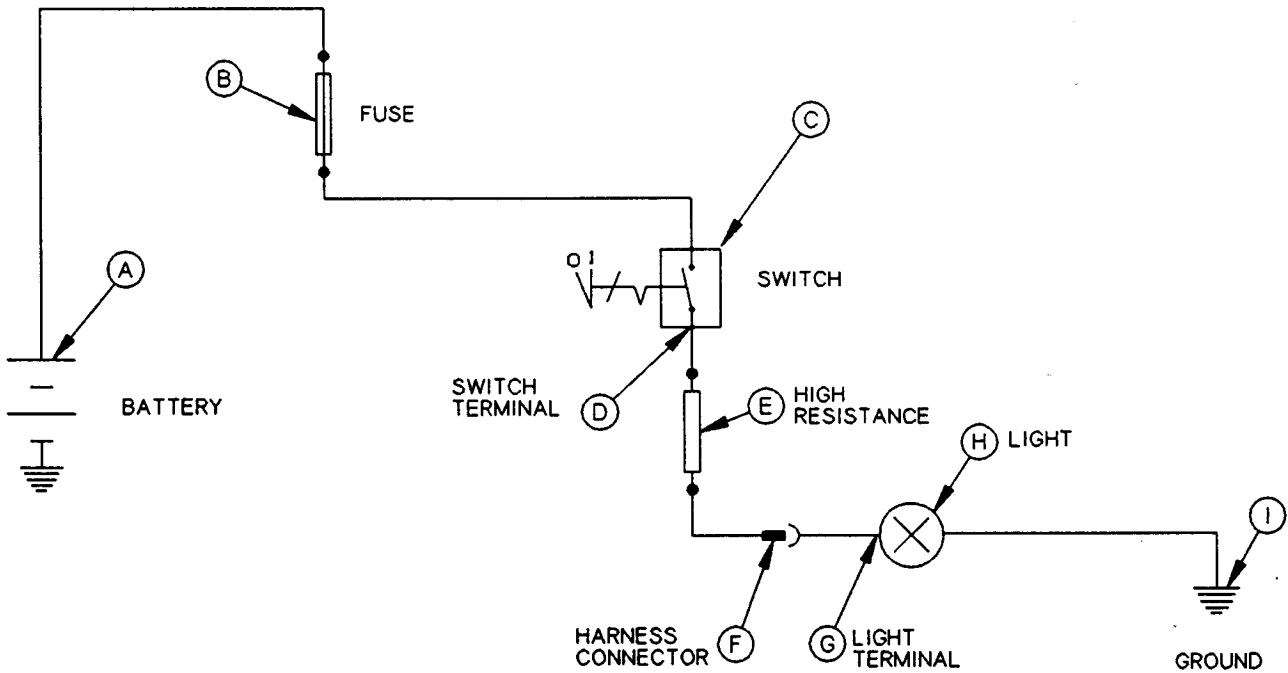
Example: Light does not operate or is dim when switch is turned ON, until switch connector is disconnected and reconnected.

Reason: High resistance caused by a dirty switch connector, caused a voltage drop which prevented the proper amount of current from flowing to the light.

DPSG.OU01004,785 -19-19APR99-1/1

05
15
2

High Resistance Circuit



T7713AG (CV)

T7713AG -19-26FEB92

A—Battery
B—Fuse
C—Switch

D—Switch Terminal
E—High Resistance

F—Harness Connector
G—Light Terminal

H—Light
I—Ground

A high resistance circuit can result in slow, dim or no component operation.

Examples: Loose, corroded, dirty or oily terminals.
Wire size too small. Strands broken inside the wire.
Poor ground connection to frame.

To locate the cause of high resistance:

With switch (C) ON, check for battery voltage between switch and ground (I) at an easily accessible location, like harness connector (F).

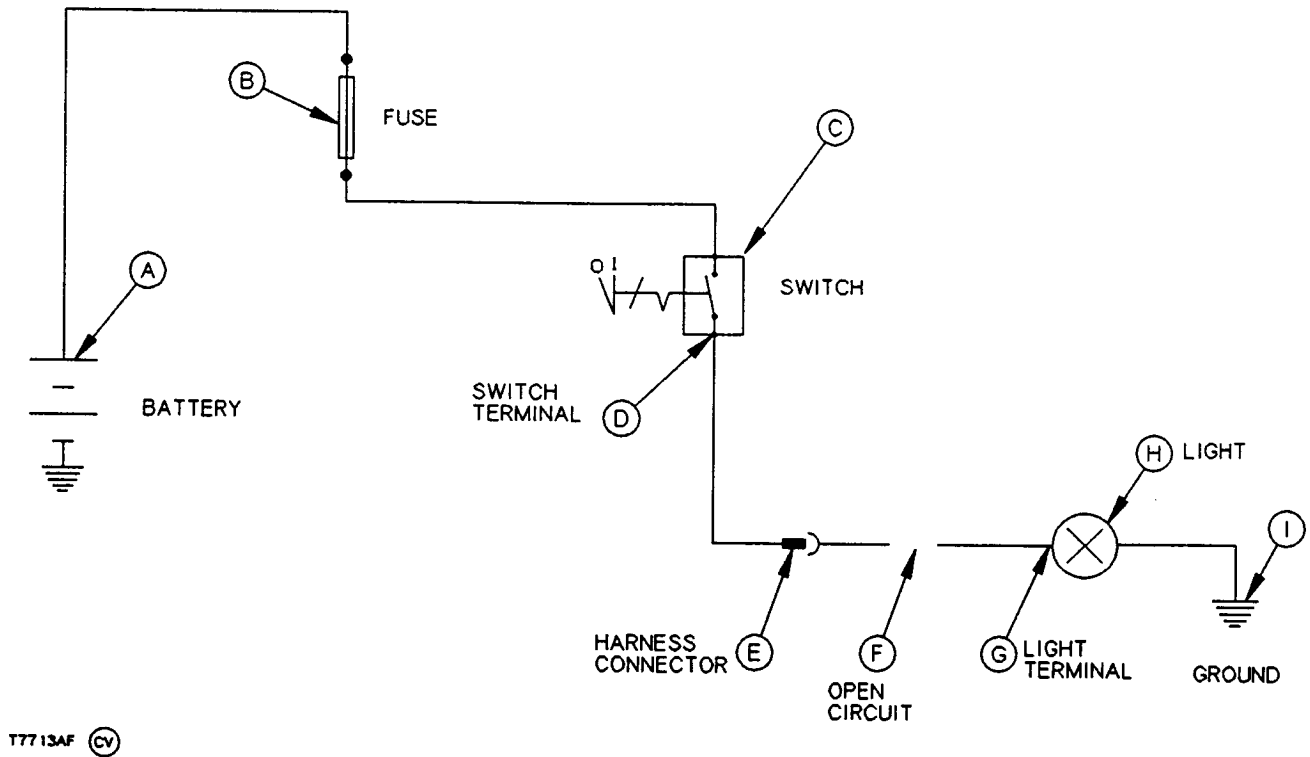
If less than battery voltage is indicated, check again closer to switch.

If battery voltage is indicated, check closer to ground to locate point of voltage drop. The example shows high resistance (E) between switch and harness connector.

Repair circuit as required. In the example, strands were broken inside the wire. Replace that section of wire.

Repeat check-out procedure after repair.

Open Circuit



T7713AF (CV)

A—Battery
B—Fuse
C—Switch

D—Switch Terminal
E—Harness Connector

F—Open Circuit
G—Light Terminal

H—Light
I—Ground

An open circuit will result in no components operating. Fuse may or may not be blown.

Example: Broken wire, disconnected component terminal, pins inside a connector not making contact, blown fuse, open circuit breaker, failed switch or component, or a disconnected ground wire.

To locate an open circuit:

Check fuse. If blown, replace and operate circuit. If fuse blows a second time, continue check.

With switch (C) ON, check for battery voltage at switch terminal (D).

If no voltage is indicated, check switch, fuse and wiring to battery.

If battery voltage is indicated, check for voltage closer to ground at harness connector (E).

If no voltage is indicated, wire may be broken between switch and connector.

If battery voltage is indicated, inspect connector pins. If pins are OK, check for voltage at light terminal (G).

In the example, zero voltage will be indicated at light terminal, indicating a broken wire between harness connector and light terminal.

If battery voltage had been indicated, the next check for voltage would be at ground connection (I).

Normal indicated voltage at a ground connection should be 0.0 to 0.5 volts.

Continued on next page

DPSG,UO01004,661 -19-15MAR99-1/2

T7713AF -19-27FEB92

Electrical System Basic Information and Wiring Diagrams

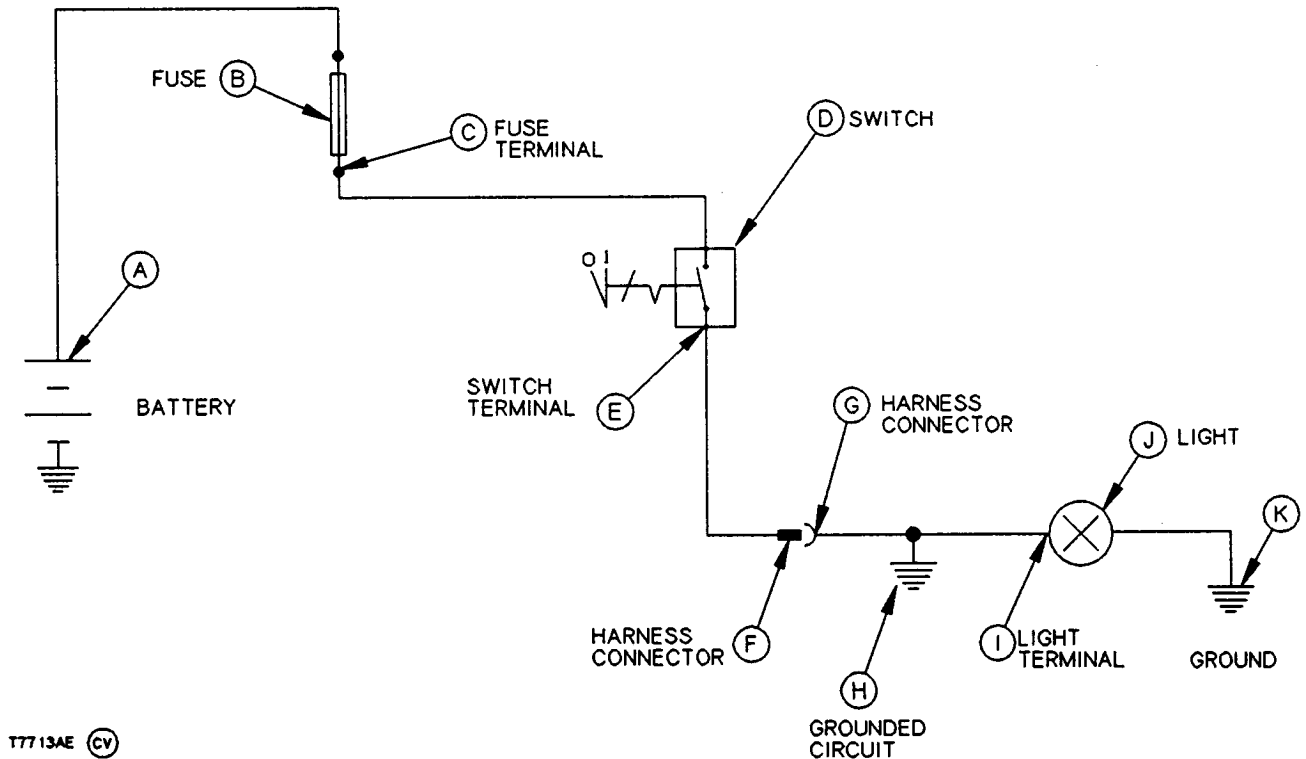
05
15
4

If battery voltage is indicated, poor connection to frame or broken wire is indicated.

When problem is located, repair as needed, then repeat last check.

DPSG,OUO1004,661 -19-15MAR99-2/2

Grounded Circuit



T7713AE (CV)

T7713AE -19-27FEB92

A—Battery
B—Fuse
C—Fuse Terminal

D—Switch
E—Switch Terminal
F—Harness Connector

G—Harness Connector
H—Grounded Circuit
I—Light (Component) Terminal

J—Light
K—Ground

If no component operates, the fuse is blown and replacement fuses blow immediately or the circuit breaker is open and reopens when reset, a grounded circuit exists. (Example: power wire contacting frame or other metal component). A wire may be pinched or insulation may be worn from a wire. To isolate the location of a grounded circuit:

If circuit is grounded between battery and fuse, wire will be burned and circuit will be open. Fuse will not be blown.

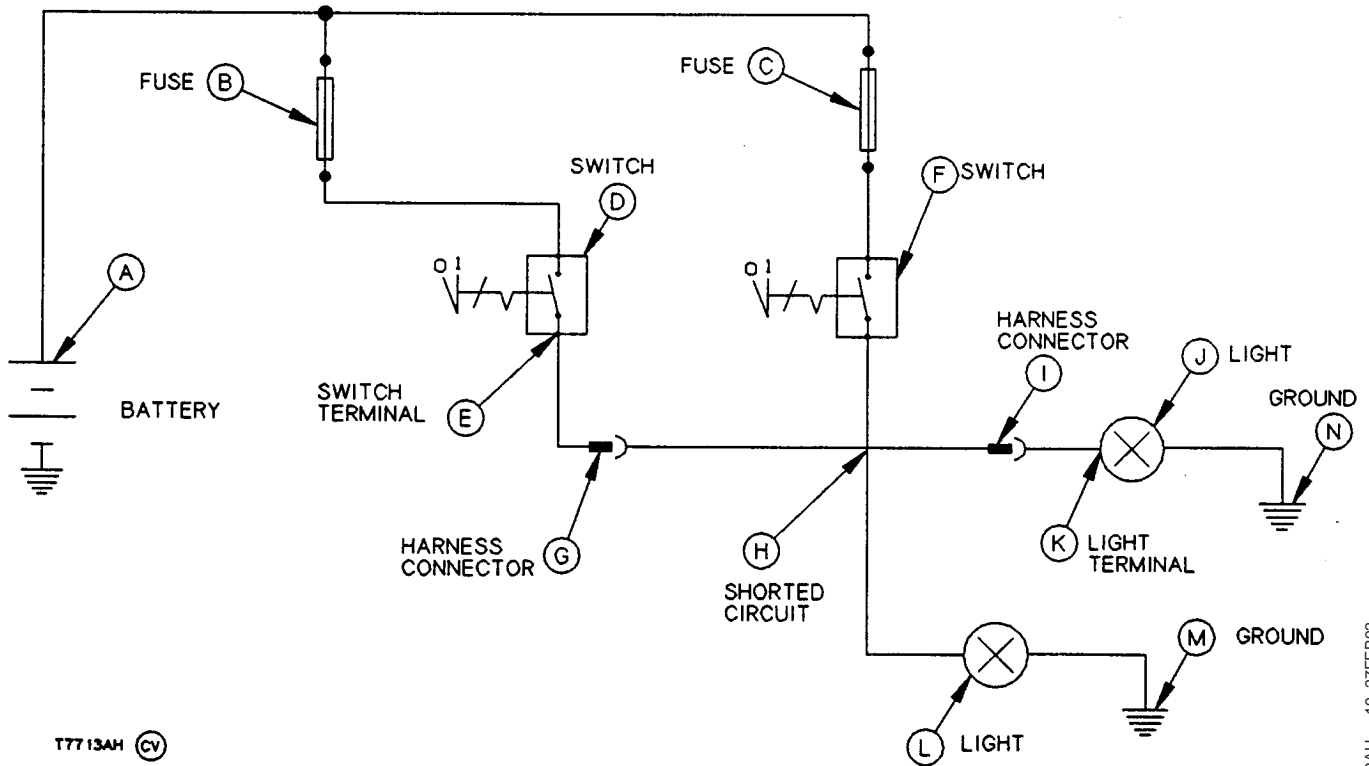
If fuse is blown, remove fuse from circuit, disconnect circuit near its center, such as harness connector (F). Turn switch (D) ON and check for continuity to ground at harness connector (F). This will check harness from harness connector to fuse.

If continuity to ground is indicated, there is a pinched or bare wire between fuse terminal (C) and harness connector (F).

If continuity to ground does not exist, disconnect ground (K) from frame. Measure continuity to ground at harness connector (G). This checks harness from harness connector to ground terminal. In the example, continuity to ground will exist because circuit is grounded (wire is pinched) at (H).

If continuity exists, disconnect circuit at light terminal (I) and measure continuity to ground on light terminal. This checks harness from light to ground terminal. In the example, continuity will not exist, indicating a grounded circuit between the light and harness connector (G).

Shorted Circuit



T7713AH (CV)

A—Battery
B—Fuse
C—Fuse
D—Switch

E—Switch Terminal
F—Switch
G—Harness Connector
H—Shorted Circuit

I—Harness Connector
J—Light
K—Light Terminal

L—Light
M—Ground
N—Ground

A shorted circuit causes components in separate circuits to operate when a switch in either circuit is turned ON. (Example: two harnesses rubbing together until insulation is worn through, allowing bare wires to touch). Components can also become shorted. However, shorted components will usually blow the fuse.

To locate a shorted circuit:

Turn switch (F) ON then OFF. Turn switch (D) ON then OFF. Both lights (J and L) will be ON when either switch (D or F) is ON.

Turn switch (F) ON. Both lights (J and L) will be ON; only light (L) should be ON.

Disconnect wire from switch of component that should not be ON. In the example, disconnect wire from terminal (E) at switch (D). Light (J) remains ON.

Disconnect circuit at convenient places like harness connectors (G and I) and light terminal (K) until light (J) goes OFF.

The short circuit will be between the last two places the circuit was disconnected. In the example, it is between harness connectors (G and I). Light (J) will go OFF when harness connector (I) is disconnected. Inspect harness between connectors (G and I).

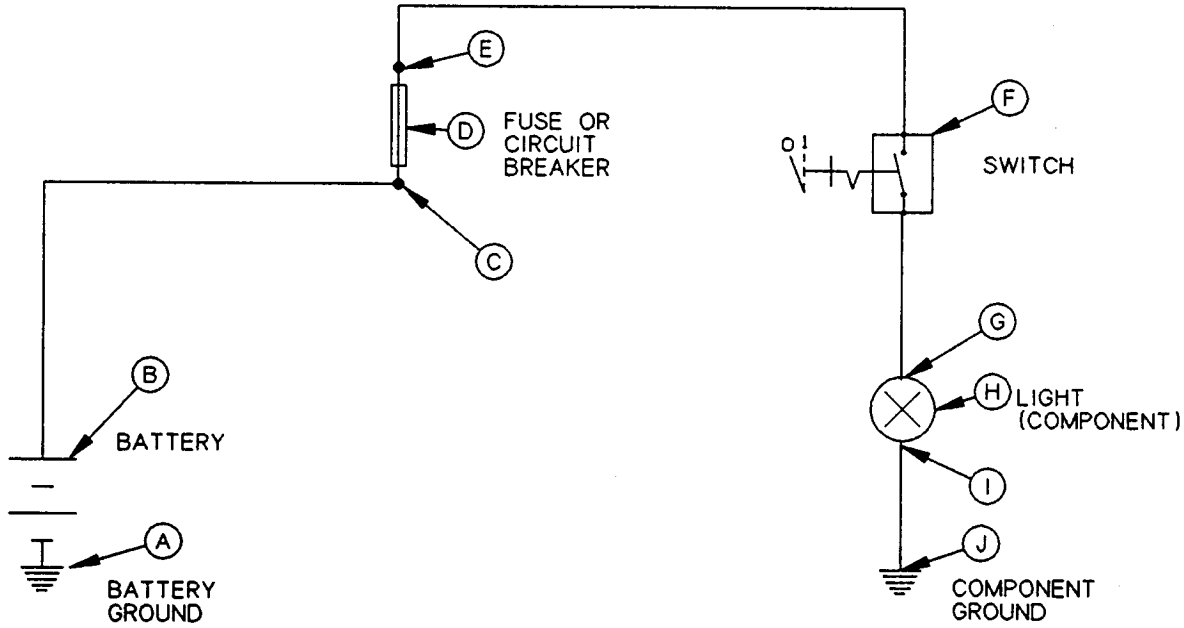
T7713AH -19-27FEB92

05
15
8
Repair or replace wires and harnesses as needed.
Install tie bands and clamps on harnesses as required
to prevent future problems.

Repeat check-out procedure after repair.

DPSG.OUO1004,664 -19-15MAR99-2/2

Seven Step Electrical Test Procedure



T7719AA (CV)

- | | | | |
|---|---|--------------------------------------|-------------------------------------|
| A—Battery Ground | D—Fuse or Circuit Breaker | G—Battery Side of Component Terminal | I—Ground Side of Component Terminal |
| B—Battery | E—Component Side of Fuse or Circuit Breaker | H—Light (Component) | J—Component Ground |
| C—Battery Side of Fuse or Circuit Breaker | F—Switch | | |

Continued on next page

DPSG.OUO1004,666 -19-15MAR99-1/2

T7719AA -19-05MAR92

| | |
|--|---|
| Step 1—Switch ON | |
| Check battery side of circuit breaker (C) for battery voltage. | Battery voltage normal, go to Step 2. Low voltage, repair high resistance. Open circuit from battery. |
| Step 2—Switch OFF | |
| Check component side of circuit breaker (E) for battery voltage. | Battery voltage normal, go to Step 4. Low voltage, repair high resistance. No voltage, go to Step 3. |
| Step 3—Switch OFF | |
| Check component side of circuit breaker (E) for continuity to ground. | Continuity to ground, repair grounded circuit at or before switch. No continuity to ground, replace circuit breaker. |
| Step 4—Switch ON | |
| Check component side of circuit breaker (E) for battery voltage. | Battery voltage normal, go to Step 6. Low voltage, repair high resistance. No voltage, go to Step 5. |
| Step 5 ^a | |
| Disconnect wire at battery side of component (G). Switch ON. Check wire at (G) for battery voltage. | Battery voltage, repair component. No voltage, repair grounded or open circuit at or after switch. |
| Step 6—Switch ON | |
| Check lead to component at (G) for battery voltage. | Battery voltage normal, go to Step 7. Low voltage, repair high resistance in circuit between fuse and component. No voltage, repair high resistance or open circuit between fuse and component. |
| Step 7—Switch ON | |
| Check ground wire of component at (I) for voltage. | No voltage, good continuity to ground, repair component. Voltage, poor continuity to ground, repair high resistance or open ground circuit. |
| ^a A multimeter will not apply a load to the circuit at Step 5. The multimeter result is tested as a voltage condition in the result column. | |

DPSG,OUO1004,666 -19-15MAR99-2/2



Suggest:

If the above button click is invalid.

Please download this document

first, and then click the above link

to download the complete manual.

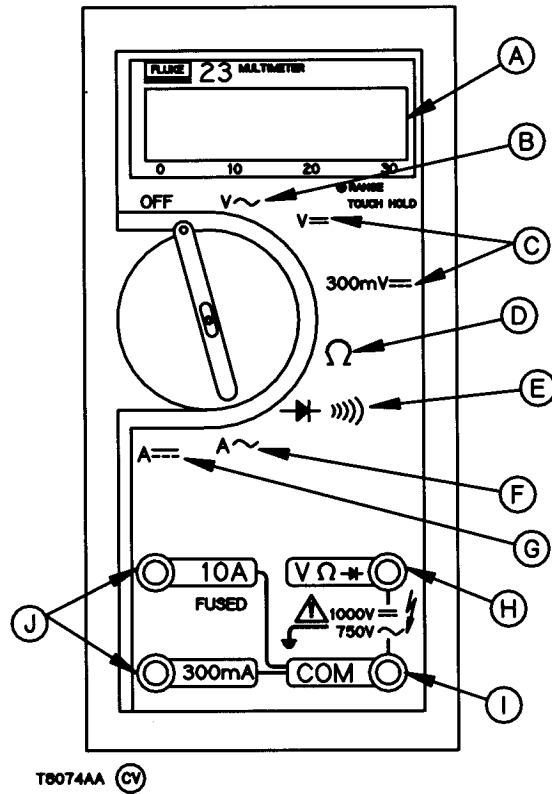
Thank you so much for reading

05
15
10

Multimeter

The multimeter is an autoranging digital display that allows very accurate readings to be taken.

- A—Display
- B—Voltage AC (Alternating Current)
- C—Voltage DC (Direct Current)
- D—Resistance
- E—Diode Test/Continuity
- F—Current AC (Alternating Current)
- G—Current DC (Direct Current)
- H—Voltage, Resistance, Diode/Continuity (Red Lead Input)
- I—Ground (Black Lead Input)
- J—Current/Amps (Red Lead Input)



T8074AA (CV)

T8074AA -19-03SEP93

DPSG.OUO1004,665 -19-15MAR99-1/1

<https://www.ebooklibonline.com>

Hello dear friend!

Thank you very much for reading.

Enter the link into your browser.

The full manual is available for immediate download.

<https://www.ebooklibonline.com>