

# **Sabre Lawn Tractors** **1438GS, 1438HS, 1538HS, 1542HS,** **1642HS, 1646HS, 1846HV** **and 1846HMS**

Serial No. (010,001-)



## **OPERATOR'S MANUAL**

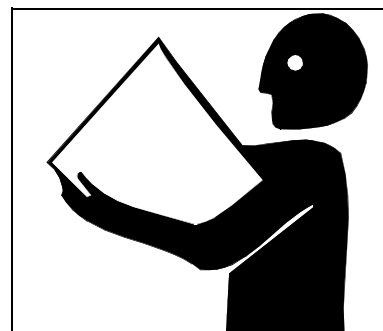
**John Deere**  
**Worldwide Commercial And**  
**Consumer Equipment Division**  
**OMGX10485 B9**

North American Version  
Litho in U.S.A.  
English

# INTRODUCTION

**THANK YOU** for purchasing a John Deere product.

Read this manual and your attachment manual thoroughly. Failure to do so could result in personal injury or equipment damage.



**WARNING:** The Engine Exhaust from this product contains chemicals known to the State of California to cause cancer, birth defects or other reproductive harm.

CALIFORNIA Proposition 65 Warning

This manual should be considered a permanent part of your machine and should remain with the machine when you sell it.

Product warranty is provided as part of John Deere's support program for customers who operate and maintain their equipment as described in this manual. The product warranty is explained on the warranty certificate you received from your dealer.

Measurements in this manual are metric units and their U.S. customary equivalents. RIGHT-HAND and LEFT-HAND sides are determined by facing in the direction the machine will travel when going forward. When you see a broken line arrow (----->), it indicates the part it is pointing to is hidden.

Record identification numbers below. Be sure to record all the numbers to help in tracing the machine if it is stolen. You also need to give these numbers to your dealer when you order parts.

**DATE OF PURCHASE:** \_\_\_\_\_

**DEALER NAME:** \_\_\_\_\_

**DEALER PHONE:** \_\_\_\_\_

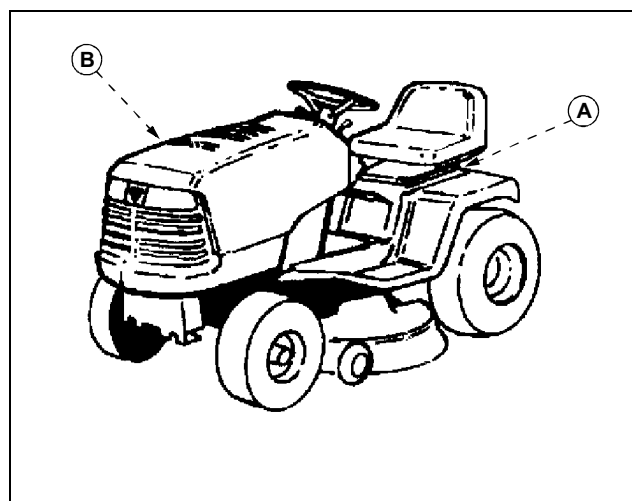
**TRACTOR SERIAL NUMBER (A), (Under seat):**

\_\_\_\_\_

**ENGINE SERIAL NUMBER (B), (Right side of engine):**

\_\_\_\_\_

*Sabre® is a registered trademark of Deere & Company*



---

---

# TABLE OF CONTENTS

---

---

Assembly .....	1
Safety Signs.....	10
Controls .....	12
Operating the Machine .....	13
Operating the Mower .....	31
Replacement Parts .....	37
Service Machine Safely .....	38
Service Interval Chart.....	40
Service Engine .....	42
Service Steering and Brakes .....	51
Service Mower.....	54
Service Electrical .....	62
Service Miscellaneous.....	67
Removing Mower.....	74
Installing Mower.....	76
Troubleshooting .....	78
Storing Machine.....	83
Specifications.....	86
Warranty .....	90
Index.....	95
Service Literature .....	99

All information, illustrations and specifications in this manual are based on the latest information at the time of publication. The right is reserved to make changes at any time without notice.

COPYRIGHT© 1999  
Deere & Co.

John Deere Worldwide Commercial and  
Consumer Equipment Division  
Horicon, WI

All rights reserved

Previous Editions  
COPYRIGHT© 1998, 1997, 1996

OMGX10485 B9

**<https://www.ebooklibonline.com>**

Hello dear friend!

Thank you very much for reading.

Enter the link into your browser.

The full manual is available for immediate download.

**<https://www.ebooklibonline.com>**

# ASSEMBLY

## Identify Parts

**NOTE:** If you are missing any parts see the **Replacement Parts** section for additional service part numbers.

A Operator's Manual  
Safety Video

B Seat

C Steering Wheel

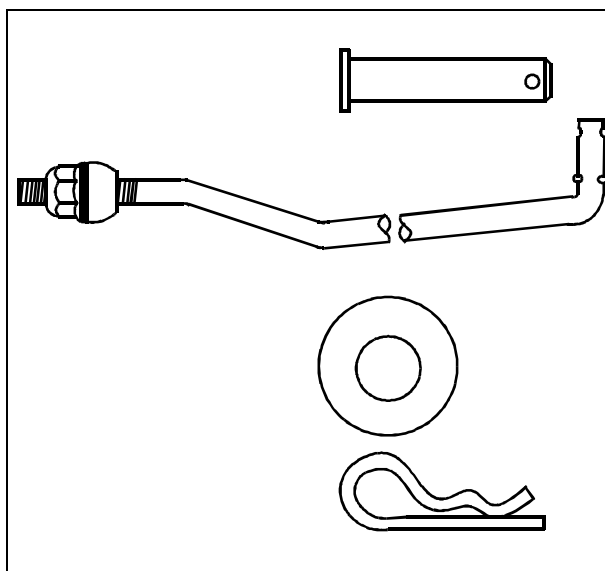
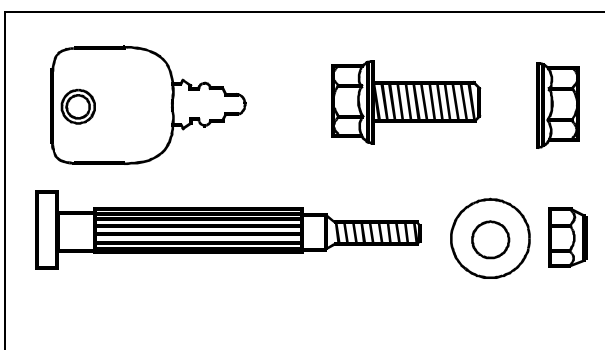
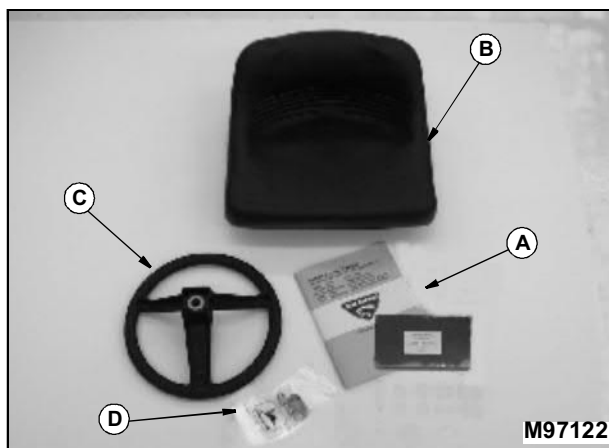
D Bag of Hardware

Common Hardware:

- 2 - Keys M127340 and M40718
- 2 - M8x16 Bolts - Battery 19M7775
- 2 - M8x16 Nuts - Battery 14M7303
- 1 - Serrated Screw - Steering Wheel M87404
- 1 - Flat Washer - Steering Wheel 24H1721
- 1 - M10-24 Nut - Steering Wheel M63662

46-Inch Deck Mounting Hardware:

- 2 - Rear Draft Pins H98765
- 2 - Front Draft Rod Assembly:
  - Rod Gx10093
  - Leveling Ball M112982
  - Nut 14M7400
- 3- Flat Washers 24H1305
- 5 - Spring Locking Pins J16931



# ASSEMBLY

## Seat Hardware:

### For Model 1846HMS:

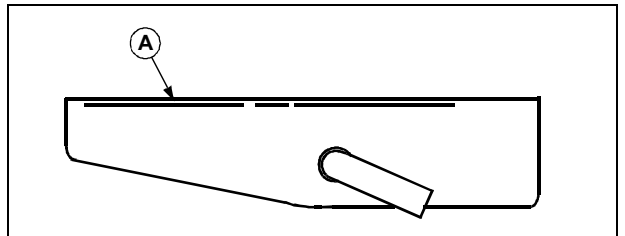
- 2 - Seat Knobs GX10425
- 2 - Seat Shoulder Bolts M96322
- 2 - Spacers (Serrated Washers) M120369
- 2 - Cupped Washers M120771

### For All Other Models:

- 2 - Seat Capscrews 19H1813
- 2 - Seat Shoulder Bolts M96322
- 2 - Flat Washers 24M7024
- 2 - Cupped Washers M120771

## Slide Adjuster Hardware:

- 4 - Seat Capscrews 19H2127
- 4 - Spring Washers M46935
- 2 - Flat Washers 24M7207
- 4 - Nylon Washers M123750
- 4 - Spacers M123751
- 1 - Seat Adjuster Assembly (A) AM121971

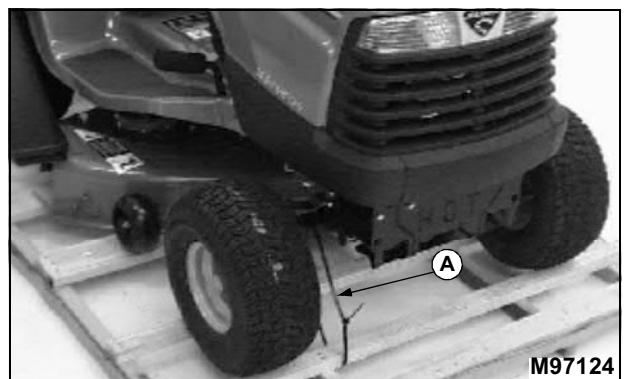


## Remove Packaging



**CAUTION: Avoid eye injury. Wear eye protection when removing wire bands. Wire bands are under tension and could snap when removed.**

1. Remove plastic and paper.
2. Remove wire band (A) securing front axle.
3. Remove steering wheel, seat, and bag of parts from seat base.



# ASSEMBLY

## Tractors With 38-Inch and 42-Inch Mower Decks Only

1. Lift the deck to the highest position. (See ADJUSTING CUTTING HEIGHT in Operating Mower section.)
2. Proceed to STEERING WHEEL INSTALLATION.

## Removing 46-Inch Mower Deck From Packing

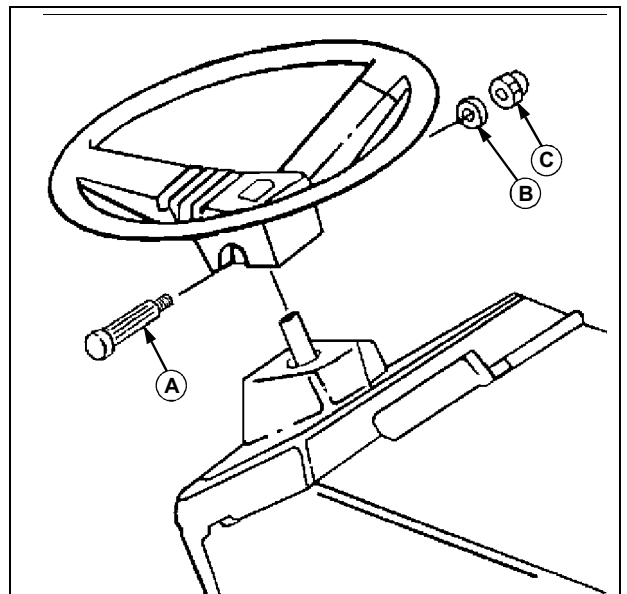
**CAUTION:** •Mower Deck is heavy. To avoid injury, use a hoist or safe lifting device when removing mower deck from crate.  
•Mower Blades are sharp. Always wear gloves when handling mower deck.

1. Remove the banding securing the 46-Inch mower deck to the crate.
2. Using a hoist or a safe lifting device, carefully remove deck from crate.
3. Place the mower deck on flat surface with the blade side down.



## Install Steering Wheel

1. Position the front tires so they are pointing in a straight ahead direction.
2. Remove the steering wheel from its packaging and place on the steering shaft with the center spoke pointing towards the rear of the tractor.
3. Remove the 2-1/4 in. serrated screw, flat washer and M10-24 nut from the parts bag.
4. Drive serrated screw (A) from the right hand side through the steering wheel and steering shaft with a hammer. Secure with the flat washer (B) and M10-24 nut (C) using a 3/8 in. (or 10 mm) socket and ratchet.



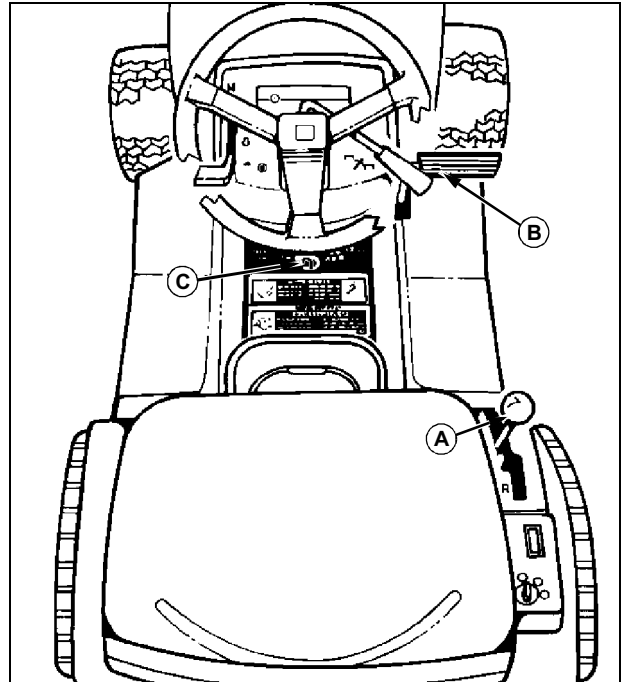
# ASSEMBLY

## Remove Tractor From The Skid

**CAUTION: TO AVOID INJURY, Do not start and drive tractor from the skid.**

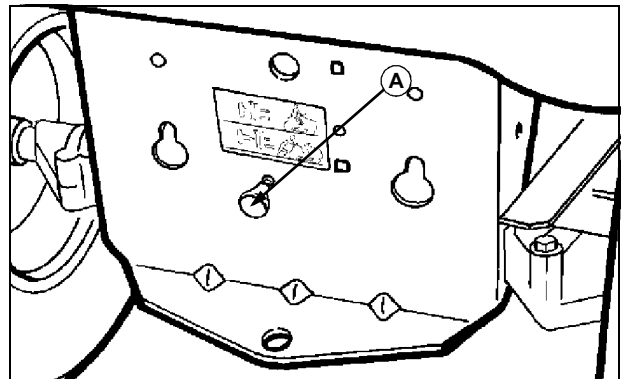
### GEAR TRACTOR ONLY

1. Move the shift lever (A) to the neutral (N) position.
2. Depress brake pedal (B) and move the park brake lock lever (C) to the right and toward the rear to the UNLOCK position.
3. With one person in the front, and the other in the rear, steer straight, and gently push the tractor rearward off the skid to a level area.
4. Depress brake pedal and move park brake lock lever to locked position and release brake pedal.



### AUTOMATIC TRACTOR ONLY

1. Move to the rear of the tractor. On the rear of the tractor locate free-wheeling knob (A) and pull it rearward until it locks into a fully extended position. This releases the hydro lock in the transmission, allowing it to free-wheel in order to move tractor.
2. With one person in the front, and the other in the rear, steer straight, and gently push the tractor rearward off the skid to a level area.
3. Push the free-wheeling knob to its original position so that the knob is fully seated.



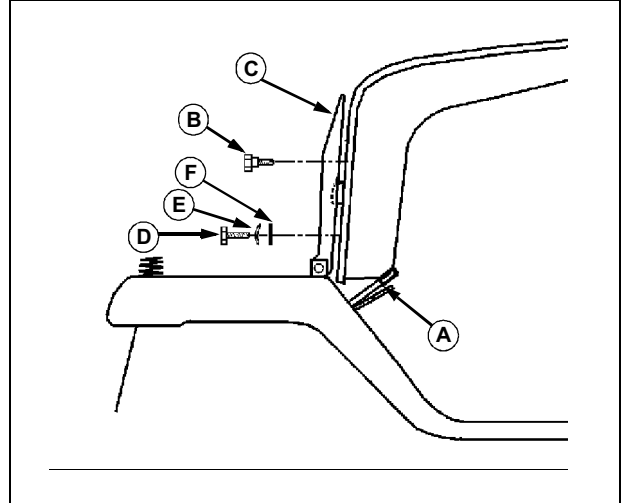
**NOTE: Failure to push the free-wheeling knob forward to the drive position will result in the tractor not propelling itself when the shift lever is moved into forward or reverse.**

# ASSEMBLY

## Install Seat

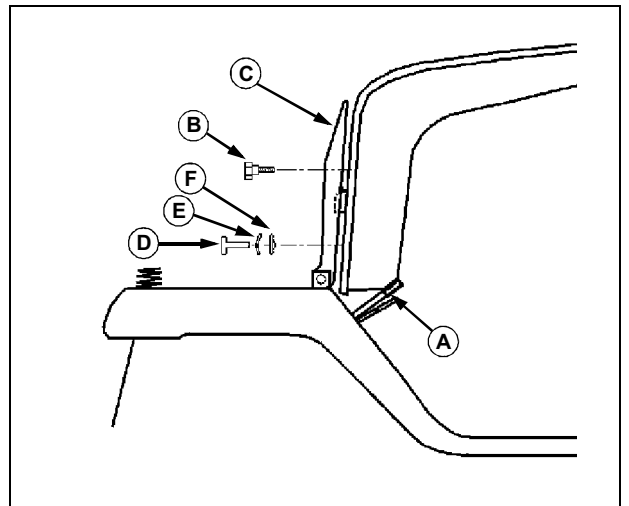
### Seat With Capscrew Adjuster

1. Stand seat on mower deck lift handle (A) allowing seat back to rest on steering wheel.
2. Raise seat pan so that it rests against seat bottom.
3. Remove hardware from parts bag:
  - 2 Shoulder Bolts
  - 2 Capscrews
  - 2 Cupped Washers
  - 2 Flat Washers
4. Install shoulder bolts (B) through seat pan (C) into top two holes in seat. Secure tightly.
5. Take one capscrew (D) and place one of the cupped washers (E) onto it so that cupped side of washer is away from capscrew head. Place one of the flat washers (F) onto capscrew with cupped washer. Repeat for other capscrew and washers.
6. Install capscrews with washers through seat pan into bottom holes of seat. Tighten finger tight.
7. Refer to ADJUSTING SEAT in the Operating Machine section for setting seat position. Securely tighten all hardware.



### Seat With Knob Adjuster

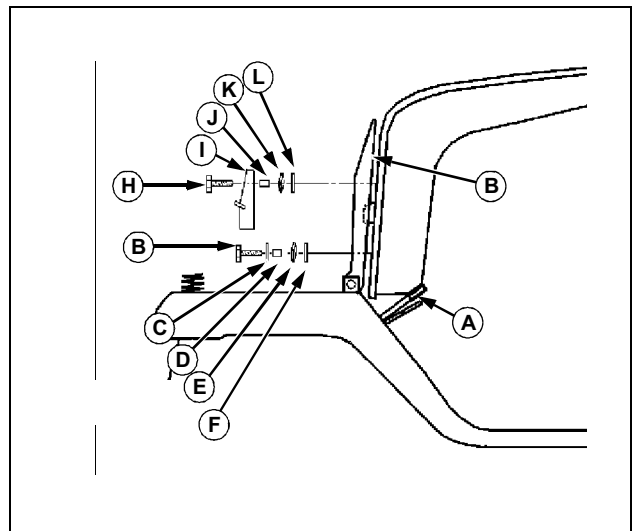
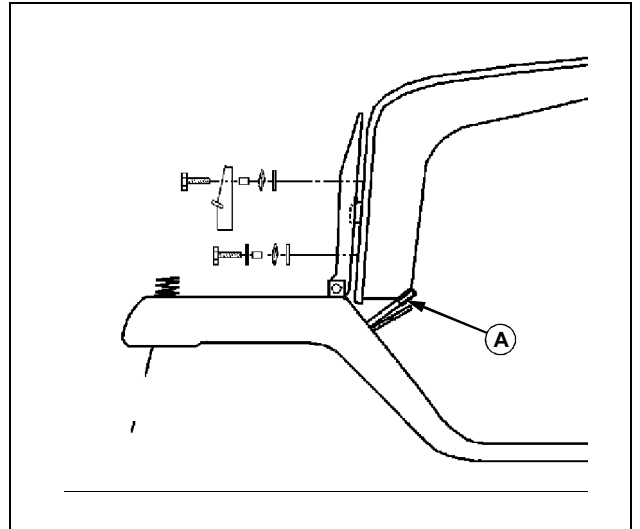
1. Stand seat on mower deck lift handle (A) allowing seat back to rest on steering wheel.
2. Raise seat pan so that it rests against seat bottom.
3. Remove hardware from parts bag:
  - 2 Shoulder Bolts
  - 2 Knobs
  - 2 Cupped Washers
  - 2 Spacers (Serrated Washers)
4. Install shoulder bolts (B) through seat pan (C) into top two holes in seat. Secure tightly.
5. Take one knob (D) and place one of the cupped washers (E) onto it so that cupped side of washer is away from capscrew head. Place one of the spacers (F), so that the protruded side of spacer is facing away from capscrew head, onto knob with cupped washer. Repeat for other knob, washers and spacers.
6. Install knobs with washers and spacers through seat pan into bottom holes of seat. Tighten finger tight.
7. Refer to ADJUSTING SEAT in the Operating Machine section for setting seat position. Securely tighten all hardware.



# ASSEMBLY

## Install Slide Adjuster (46-Inch Deck Units Only)

1. Stand seat on mower deck lift handle (A) allowing seat back to rest on steering wheel.
2. Raise seat pan so that it rests against seat bottom.
3. Remove hardware from parts bag:
  - 4 Spacers
  - 4 Capscrews
  - 4 Spring Washers
  - 2 Flat Washers
  - Seat Adjustment Bracket
  - 4 Nylon Washers
4. Place flat washer, spacer, spring washer and nylon washer on capscrew. Repeat assembly for second capscrew.
5. Insert capscrew (B) with flat washer (C), spacer (D), spring washer (E) and nylon washer (F) through right hand edge of seat pan (G) into seat. Tighten finger tight.
6. Insert second capscrew with flat washer, spacer, spring washer and nylon washer through left hand side of seat pan into seat. Tighten finger tight.
7. Place one of the remaining two capscrews (H) through the seat adjustment bracket assembly (I).
8. Place a spacer (J), spring washer (K) and nylon washer (L) on the capscrew, and screw the capscrew into the seat pan finger tight.
9. Pull pin in adjustment bracket assembly and rotate pin to the locked position.
10. Place the remaining capscrew through the seat adjustment bracket assembly.
11. Place a spacer, spring washer and nylon washer on the capscrew, and screw the capscrew into the seat pan finger tight.
12. Tighten all four capscrews.
13. Refer to ADJUSTING SEAT in the Operating Machine section for setting seat position. Securely tighten all hardware.

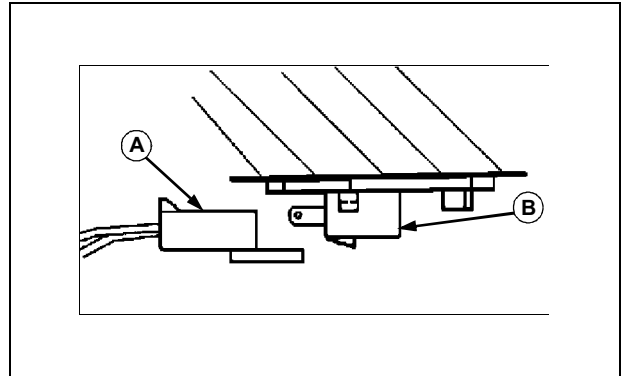


# ASSEMBLY

## Connect Seat Switch

Connect the operator's seat switch connector (A) on to the switch (B) located on the bottom of the seat. Insure the connector locks onto the switch body.

**NOTE:** *Failure to connect the seat switch will result in the tractor engine stopping when the clutch/brake pedal is released or when the PTO lever is engaged.*



## 38-Inch And 42-Inch Mowers Only

**CAUTION:** TO AVOID INJURY, Never operate the mower without the discharge chute guard in place.

Remove and discard the tape holding the discharge guard up.

## Install 46-Inch Mower Deck

**CAUTION:** Mower Blades are sharp. Always wear gloves when handling mower deck.

- Install mower deck to tractor. (See Installing Mower in the Installing Mower section.)

# ASSEMBLY

## Connect and Check Battery



### CAUTION: Prevent Battery Explosions:

- Keep sparks, lighted matches, and open flame away from the top of battery. Battery gas can explode.
- Never check battery charge by placing a metal object across the posts. Use a volt-meter or hydrometer.
- Do not charge a frozen battery; it may explode. Warm battery to 16° C (60° F)



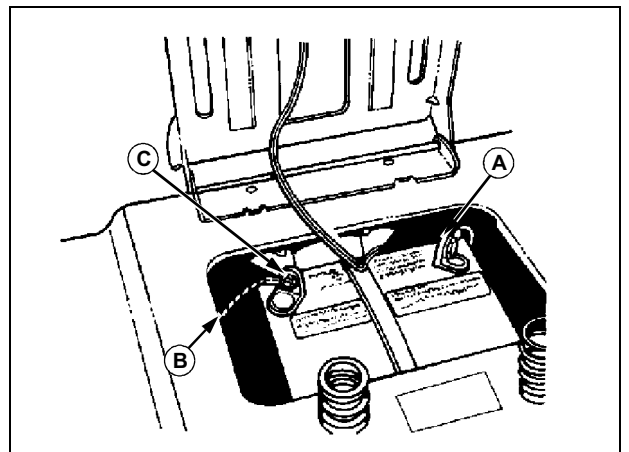
**IMPORTANT:** This battery comes fully charged. If the mower is not used by the Service Expiration Date indicated on the battery, charge the battery. (See Charging the Battery in the Service - Electrical section.)



**CAUTION:** DO NOT attempt to open, add fluid or service battery. Any attempt to do so will void warranty and lead to possible injury.

**NOTE:** Do not remove the **BLACK negative (-) protective cap at this time.**

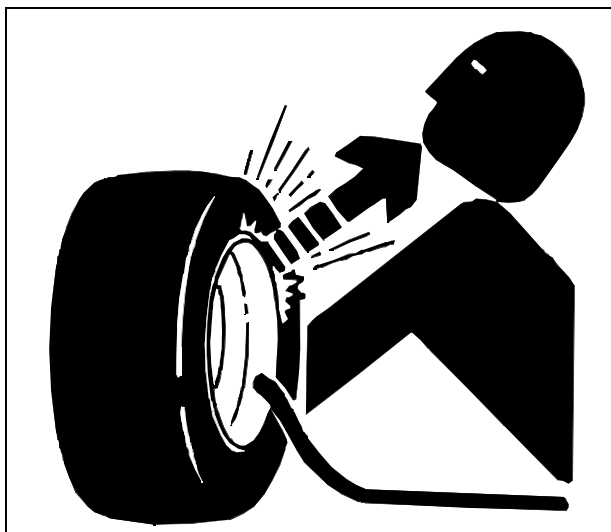
1. Remove and discard the RED positive (+) protective cap from the positive (+) battery terminal.
2. Connect RED positive (+) cable (A) to battery with 6mm hex head bolt and 6 mm flange nut. Tighten securely. Apply petroleum jelly or silicone spray to terminal to prevent corrosion. Install the red terminal cover.
3. Remove and discard the BLACK (-) protective cap from the negative battery terminal.
4. Connect silver braided grounding cable (B) to the negative (-) terminal (C) with remaining 6 mm hex head bolt and 6 mm flange nut and tighten securely. Apply petroleum jelly or silicone spray to terminal to prevent corrosion.



# ASSEMBLY

## Checking Tire Pressure

- ⚠ CAUTION:** Explosive separation of a tire and rim parts can cause serious injury or death:
- Do not attempt to mount a tire without the proper equipment and experience to perform the job.
  - Always maintain the correct tire pressure. Do not inflate the tires above the recommended pressure. Never weld or heat a wheel and tire assembly. The heat can cause an increase in air pressure resulting in a tire explosion. Welding can structurally weaken or deform the wheel.
  - When inflating tires, use a clip-on chuck and extension hose long enough to allow you to stand to one side and NOT in front of or over the tire assembly.
  - Check tires for low pressure, cuts, bubbles, damaged rims or missing lug bolts and nuts.



1. Check tires for damage.
2. Check tire pressure with an accurate gauge.
3. Add or remove air, if necessary:

Tire Size	Pressure-kPa (psi)
Front: 15-Inch	97 kPa (14 psi)
Rear: 20-Inch	69 kPa (10 psi)

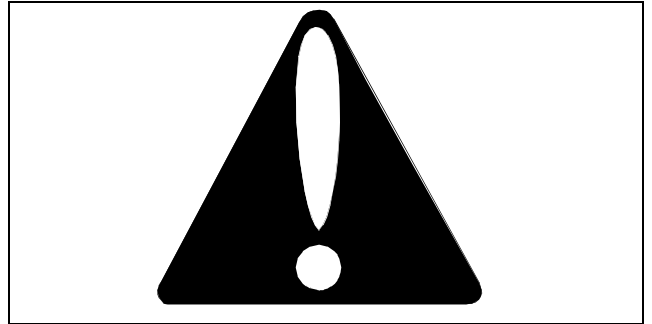
# SAFETY SIGNS

## Safety-Alert Symbol

Read and recognize safety information. Be alert to the potential for personal injury when you see this safety-alert symbol.

On your machine safety labels, the words DANGER, WARNING, and CAUTION are used with this safety-alert symbol. DANGER identifies the most serious hazards.

In this manual, the word CAUTION and this symbol call attention to safety messages.



## Certification

Your mower has been certified by an independent laboratory for compliance with American National Standard B-71.1-1996, "Safety Specifications" for Power Lawn Mowers, Lawn and Garden Tractors, and Lawn Tractors.

## Machine Safety Labels

### DANGER

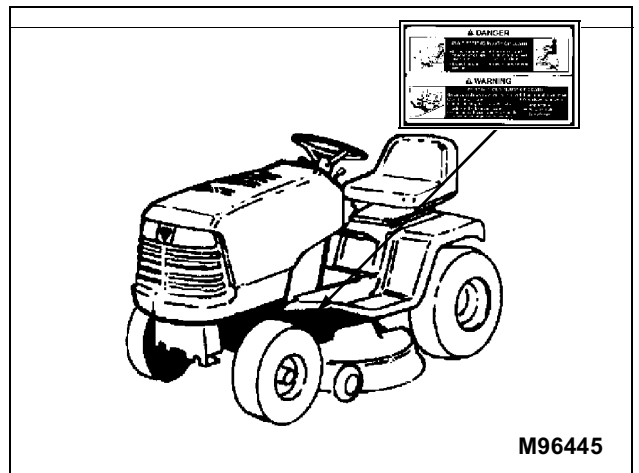
#### AVOID SERIOUS INJURY OR DEATH

- Do not mow when children or others are around
- Do not mow in reverse
- Look down and behind before and while backing
- Never carry children

### WARNING

#### AVOID SERIOUS INJURY OR DEATH

- Drive up and down slopes, not across
- Avoid sudden turns
- If machine stops going uphill, stop blade and back down slowly
- Keep safety devices (guards, shields, and switches) in place and working
- Read operator's manual
- When leaving machine:
  - Stop engine
  - Set park brake
  - Remove key



## SAFETY SIGNS

### DANGER/POISON

#### SHIELD EYES.

**EXPLOSIVE GASES CAN CAUSE BLINDNESS OR INJURY.**

#### NO

- SPARKS
- FLAMES
- SMOKING

**SULFURIC ACID CAN CAUSE BLINDNESS OR SEVERE BURNS**

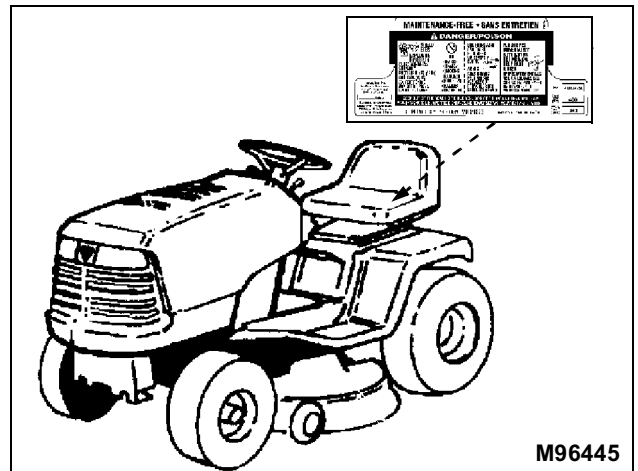
**FLUSH EYES IMMEDIATELY WITH WATER.**

**GET MEDICAL HELP FAST.**

#### MAINTENANCE-FREE

**KEEP OUT OF THE REACH OF CHILDREN. DO NOT TIP. DO NOT OPEN BATTERY!**

Picture Note: Located on Battery under seat



### DANGER

#### ROTATING BLADE

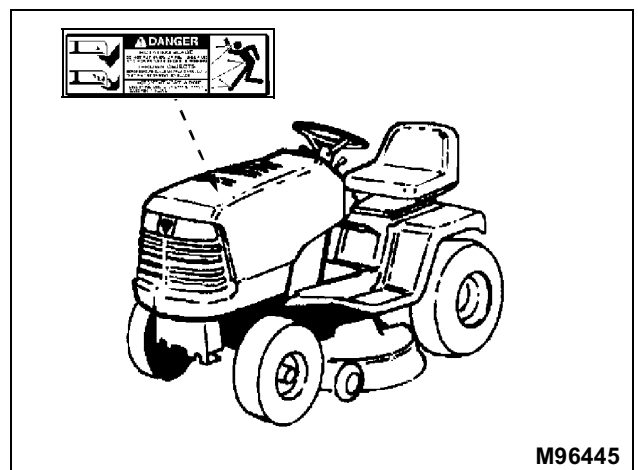
**DO NOT PUT HANDS OR FEET UNDER OR INTO MOWER WHEN ENGINE IS RUNNING**

#### THROWN OBJECTS

**BEFORE MOWING, CLEAR AREA OF OBJECTS THAT MAY BE THROWN BY BLADE**

**DO NOT OPERATE MOWER WITHOUT DISCHARGE CHUTE OR ENTIRE GRASS CATCHER IN PLACE**

Picture Note: Located on Right-Hand side of deck

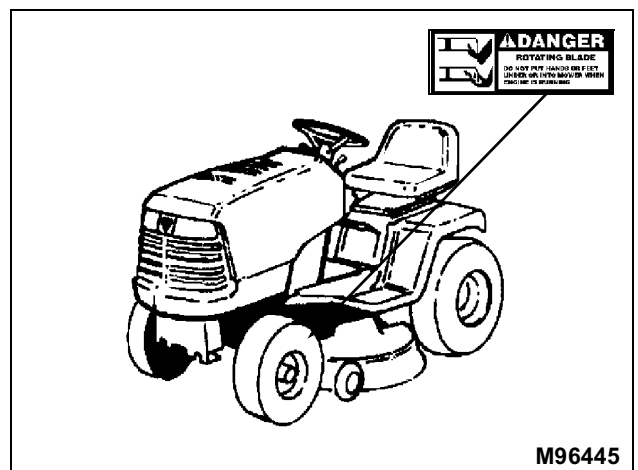


### DANGER

#### ROTATING BLADE

**DO NOT PUT HANDS OR FEET UNDER OR INTO MOWER WHEN ENGINE IS RUNNING**

Picture Note: Located on Left-Hand side of deck





**Suggest:**

**If the above button click is invalid.**

**Please download this document**

**first, and then click the above link**

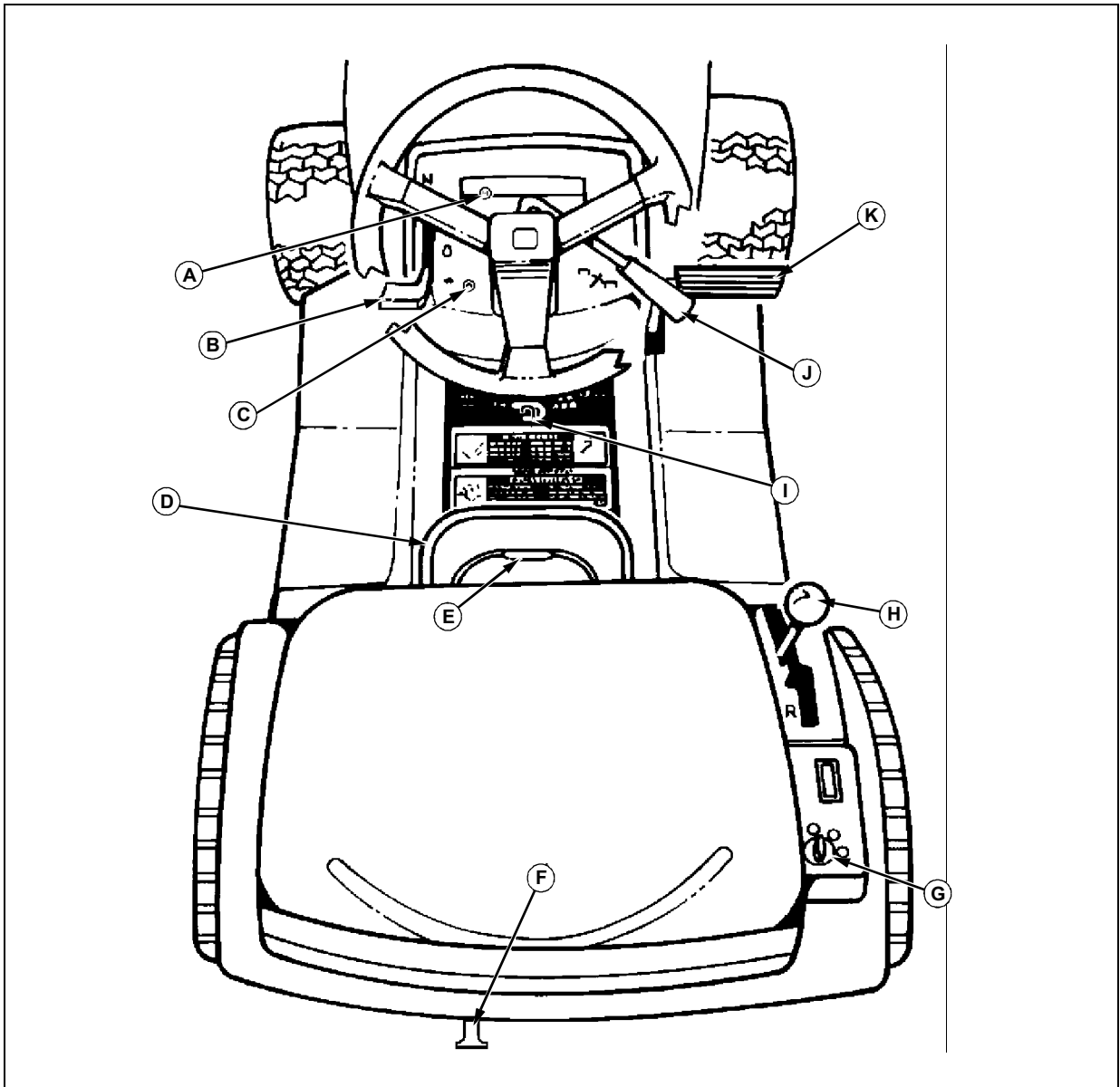
**to download the complete manual.**

**Thank you so much for reading**

# CONTROLS

## Tractor Controls

- A - Choke Knob (V-Twin)
  - B - Throttle/Choke Control (Single Cylinder)  
Throttle Control (V-Twin)
  - C - Reverse Implement Option Switch
  - D - Attachment Lift Lever
  - E - Locking Lever
  - F - Free Wheeling Knob (Automatic Only)
  - G - Ignition Switch
  - H - Transmission Shift Lever
  - I - Park Brake
  - J - PTO Drive Lever
  - K - Foot Pedal
- Gear: Brake/Clutch  
Automatic: Brake/Return to Neutral



**<https://www.ebooklibonline.com>**

Hello dear friend!

Thank you very much for reading.

Enter the link into your browser.

The full manual is available for immediate download.

**<https://www.ebooklibonline.com>**