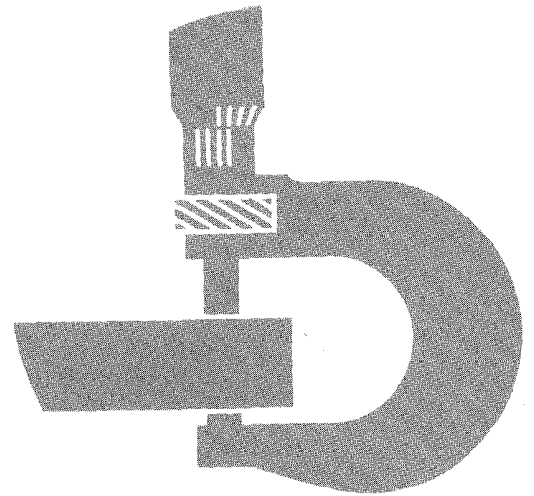


793D Feller-Buncher



TECHNICAL MANUAL

TM1416 (30MAY90)

LITHO IN U.S.A.

Introduction

FOREWORD

This manual is written for an experienced technician. Essential tools required in performing certain service work are identified in this manual and are recommended for use.

Live with safety: Read the safety messages in the introduction of this manual and the cautions presented throughout the text of the manual.



This is the safety-alert symbol. When you see this symbol on the machine or in this manual, be alert to the potential for personal injury.

Technical manuals are divided in two parts: repair and diagnostics. Repair sections tell how to repair the components. Diagnostic sections help you identify the majority of routine failures quickly.

Information is organized in groups for the various components requiring service instruction. At the beginning of each group are summary listings of all applicable essential tools, service equipment and tools, other materials needed to do the job, service parts kits, specifications, wear tolerances, and torque values.

Binders, binder labels, and tab sets can be ordered by John Deere dealers direct from the John Deere Distribution Service Center.

This manual is part of a total product support program.

FOS MANUALS—REFERENCE

TECHNICAL MANUALS—MACHINE SERVICE

COMPONENT MANUALS—COMPONENT SERVICE

Fundamentals of Service (FOS) Manuals cover basic theory of operation, fundamentals of troubleshooting, general maintenance, and basic type of failures and their causes. FOS Manuals are for training new personnel and for reference by experienced technicians.

Technical Manuals are concise guides for specific machines. Technical manuals are on-the-job guides containing only the vital information needed for diagnosis, analysis, testing, and repair.

Component Technical Manuals are concise service guides for specific components. Component technical manuals are written as stand-alone manuals covering multiple machine applications.

Contents

SECTION I—GENERAL INFORMATION

- Group I—Safety Information
- Group II—General Specifications
- Group III—Torque Values
- Group IV—Fuels and Lubricants
- Group V—Inspection Procedures

SECTION 01—TRACKS

- Group 0130—Track Systems

SECTION 02—AXLES AND SUSPENSION SYSTEM

- Group 0250—Axle Shaft, Bearings, and Reduction Gears
- Group 0260—Hydraulic System

SECTION 04—ENGINE

- Group 0400—Removal and Installation

SECTION 16—ELECTRICAL SYSTEM

- Group 1674—Wiring Harness and Switches

SECTION 44—CUTTING MECHANISMS

- Group 4460—Hydraulic System

SECTION 9005—OPERATIONAL CHECKOUT PROCEDURE

- Group 10—Operational Checkout Procedure

SECTION 9010—ENGINE

- Group 20—Adjustments
- Group 25—Test

SECTION 9015—ELECTRICAL SYSTEM

- Group 05—Theory of Operation
- Group 15—Diagnostic Information

SECTION 9020—POWER TRAIN

- Group 05—Theory of Operation
- Group 20—Adjustments
- Group 25—Test

SECTION 9025—HYDRAULIC SYSTEM

- Group 05—Theory of Operation
- Group 15—Diagnostic Information
- Group 25—Test

SECTION 99—DEALER FABRICATED TOOLS

- Group 9900—Dealer Fabricated Tools

All information, illustrations and specifications in this manual are based on the latest information available at the time of publication. The right is reserved to make changes at any time without notice.

TM1416-19-30MAY90

COPYRIGHT® 1990
DEERE & COMPANY
Moline, Illinois
All rights reserved
A John Deere ILLUSTRATION™ Manual
Previous Editions
Copyright® 1988 Deere & Company

<https://www.ebooklibonline.com>

Hello dear friend!

Thank you very much for reading.

Enter the link into your browser.

The full manual is available for immediate download.

<https://www.ebooklibonline.com>

Section I
GENERAL INFORMATION

Contents

Page

Group I—Safety Information	I-I-1
Group II—General Specifications	I-II-1
Group III—Torque Values	I-III-1
Group IV—Fuels and Lubricants	I-IV-1
Group V—Inspection Procedures	I-V-1

HANDLE FLUIDS SAFELY—AVOID FIRES

When you work around fuel, do not smoke or work near heaters or other fire hazards.

Store flammable fluids away from fire hazards. Do not incinerate or puncture pressurized containers.

Make sure machine is clean of trash, grease, and debris.

Do not store oily rags; they can ignite and burn spontaneously.



O53,FLAME -19-26JAN90

TS227
-JUN-23AUG88

PREVENT BATTERY EXPLOSIONS

Keep sparks, lighted matches, and open flame away from the top of battery. Battery gas can explode.

Never check battery charge by placing a metal object across the posts. Use a volt-meter or hydrometer.

Do not charge a frozen battery; it may explode. Warm battery to 16°C (60°F).



O53,SPARKS -19-26JAN90

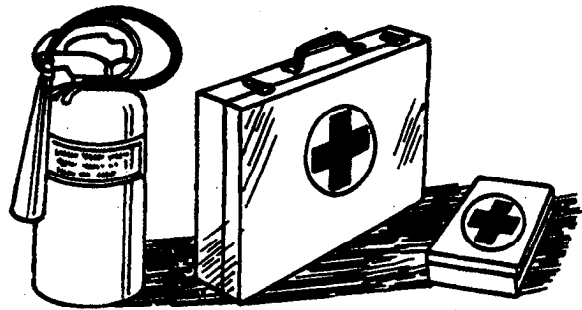
TS204
-JUN-23AUG88

PREPARE FOR EMERGENCIES

Be prepared if a fire starts.

Keep a first aid kit and fire extinguisher handy.

Keep emergency numbers for doctors, ambulance service, hospital, and fire department near your telephone.



O53,FIRE2 -19-26JAN90

TS291
-JUN-23AUG88

PREVENT ACID BURNS

Sulfuric acid in battery electrolyte is poisonous. It is strong enough to burn skin, eat holes in clothing, and cause blindness if splashed into eyes.

Avoid the hazard by:

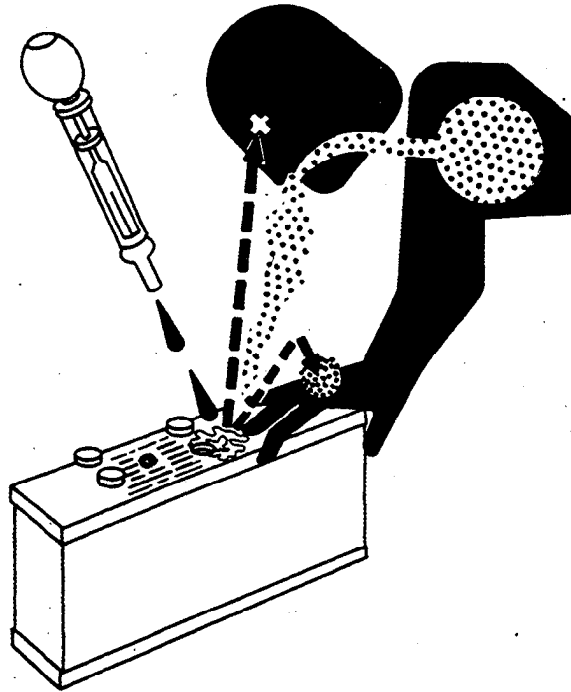
1. Filling batteries in a well-ventilated area.
2. Wearing eye protection and rubber gloves.
3. Avoiding breathing fumes when electrolyte is added.
4. Avoiding spilling or dripping electrolyte.
5. Use proper jump start procedure.

If you spill acid on yourself:

1. Flush your skin with water.
2. Apply baking soda or lime to help neutralize the acid.
3. Flush your eyes with water for 10—15 minutes. Get medical attention immediately.

If acid is swallowed:

1. Drink large amounts of water or milk.
2. Then drink milk of magnesia, beaten eggs, or vegetable oil.
3. Get medical attention immediately.



TS203 JUN-23AUG88

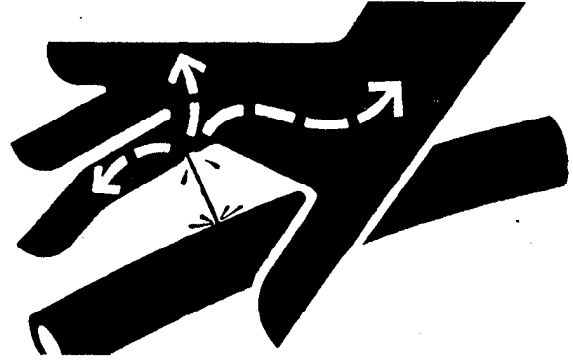
AVOID HIGH-PRESSURE FLUIDS

Escaping fluid under pressure can penetrate the skin causing serious injury.

Avoid the hazard by relieving pressure before disconnecting hydraulic or other lines. Tighten all connections before applying pressure.

Search for leaks with a piece of cardboard. Protect hands and body from high pressure fluids.

If an accident occurs, see a doctor immediately. Any fluid injected into the skin must be surgically removed within a few hours or gangrene may result. Doctors unfamiliar with this type of injury may call the Deere & Company Medical Department in Moline, Illinois, or other knowledgeable medical source.



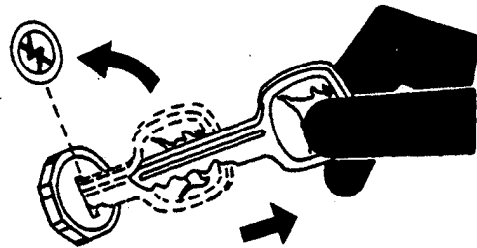
X9811 -UN-23AUG88

O53,FLUID -19-26JAN90

PARK MACHINE SAFELY

Before working on the machine:

- Lower all equipment to the ground.
- Stop the engine and remove the key.
- Disconnect the battery ground strap.
- Hang a "DO NOT OPERATE" tag in operator station.



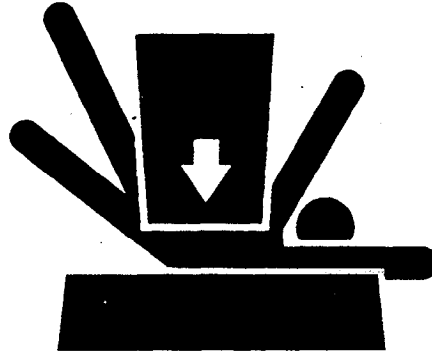
TS230 -UN-24MAY89

O53,PARK -19-26JAN90

SUPPORT MACHINE PROPERLY

Always lower the attachment or implement to the ground before you work on the machine. If you must work on a lifted machine or attachment, securely support the machine or attachment.

Do not support the machine on cinder blocks, hollow tiles, or props that may crumble under continuous load. Do not work under a machine that is supported solely by a jack. Follow recommended procedures in this manual.



-JUN-23AUG88
TS229

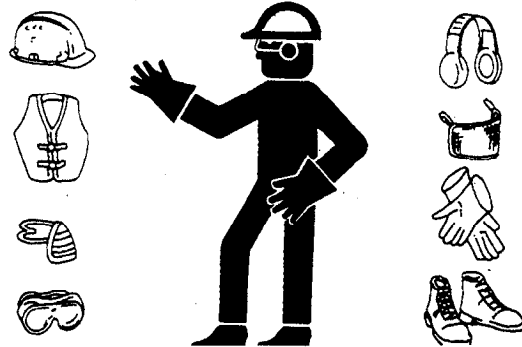
O53.LOWER -19-26JAN90

WEAR PROTECTIVE CLOTHING

Wear close fitting clothing and safety equipment appropriate to the job.

Prolonged exposure to loud noise can cause impairment or loss of hearing.

Wear a suitable hearing protective device such as earmuffs or earplugs to protect against objectionable or uncomfortable loud noises.



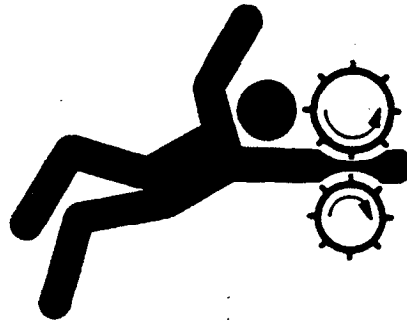
-JUN-23AUG88
TS206

O53.WEAR -19-26JAN90

SERVICE MACHINES SAFELY

Tie long hair behind your head. Do not wear a necktie, scarf, loose clothing, or necklace when you work near machine tools or moving parts. If these items were to get caught, severe injury could result.

Remove rings and other jewelry to prevent electrical shorts and entanglement in moving parts.



-JUN-23AUG88
TS228

O53.LOOSE -19-26JAN90

MEASURE TRACK BUSHING WEAR

BUSHING OUTER DIAMETER SPECIFICATIONS

New 66.6 mm (2.62 in.)

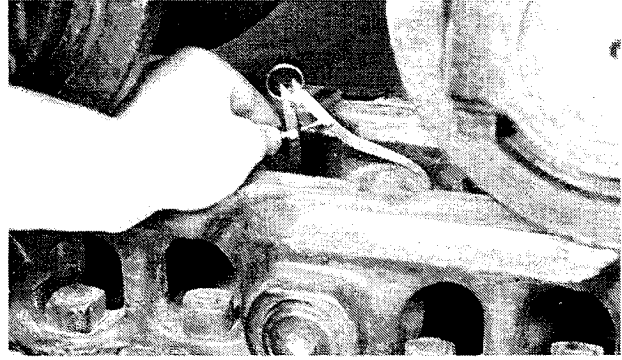
Minimum used 61.8 mm (2.43 in.)

Minimum used is the maximum allowable wear for turning pins and bushings.

1. Measure bushing outer diameter at the two worn places using a caliper such as the D-17524C1 100 mm Caliper from JT05518 or JT05523 Undercarriage Inspection Service Tool Kit.

NOTE: Bushing outer diameter is measured at two places because of the forward and reverse travel of unit.

See Undercarriage Appraisal Manual SP-326 for additional information.



T82865 -UN-08NOV88

TX,0130,WW104 -19-16APR90

MEASURE TRACK PITCH

TRACK PITCH SPECIFICATIONS

New 812 mm (31.97 in.)

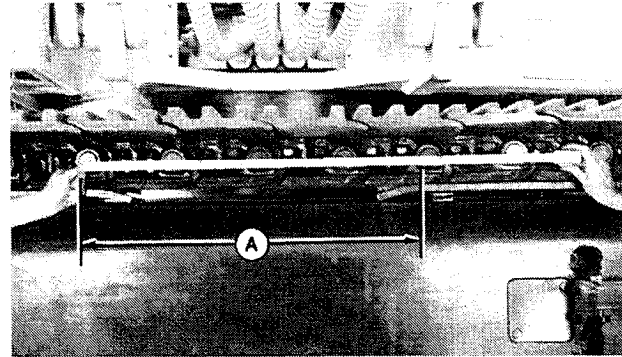
Maximum used 824.7 mm (32.47 in.)

Maximum used is the maximum allowable wear for turning pins and bushings.

1. Remove slack by putting a wooden block between sprocket and chain, then slowly move unit in reverse to tighten chain.

2. Measure pitch across several five link sections (A), except section on either side of master pin, to find average chain wear. Use a tape measure such as the JT05520 Metric Tape from JT05518 or JT05523 Undercarriage Inspection Service Tool Kit.

NOTE: See Undercarriage Appraisal Manual SP-326 for additional information.



T82866 -UN-08NOV88

TX,0130,WW103 -19-16APR90

MEASURE TRACK LINK WEAR

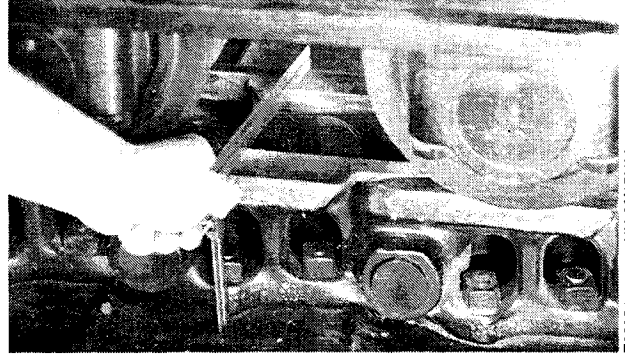
LINK HEIGHT SPECIFICATIONS

New	121.5 mm (4.78 in.)
Minimum used	110.0 mm (4.33 in.)

Minimum used is the maximum allowable wear for rebuilding links.

1. Measure height of several links to find an average using a depth gauge such as the JT05521 200 mm Ruler, JT05534 Right Angle Attachment, and D-05231ST 300 mm Ruler from JT05518 or JT05523 Undercarriage Inspection Service Tool Kit.

NOTE: See Undercarriage Appraisal Manual SP-326 for additional information.



182864
-UN-08NOV88

TX,0130,WW105 -19-16APR90

MEASURE TRACK SHOE GROUSER WEAR

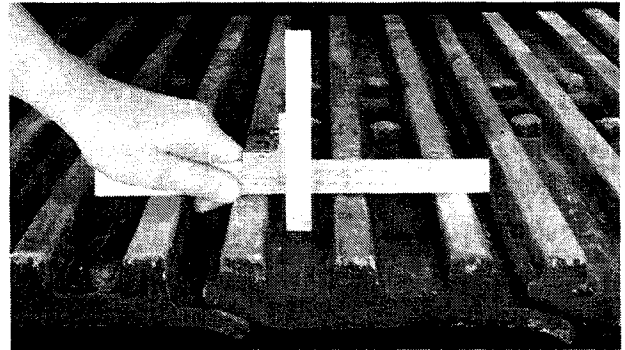
GROUSER HEIGHT SPECIFICATIONS

New:	
Single Bar Grouser Height	71.5 mm (2.81 in.)
Two Bar Height	37.0 mm (1.46 in.)
Minimum used:	
Single Bar Grouser Height	33.4 mm (1.31 in.)
Two Bar Height	16.0 mm (0.63 in.)

Minimum used is the maximum allowable wear for rebuilding grouser bars with weld.

1. Measure grouser height of several track shoes to find an average using a depth gauge such as the JT05521 200 mm Ruler, JT05534 Right Angle Attachment, and D05231ST 300 mm Ruler from JT05518 or JT05523 Undercarriage Inspection Service Tool Kit.

NOTE: See Undercarriage Appraisal Manual SP-326 for additional information.



182859
-UN-08NOV88

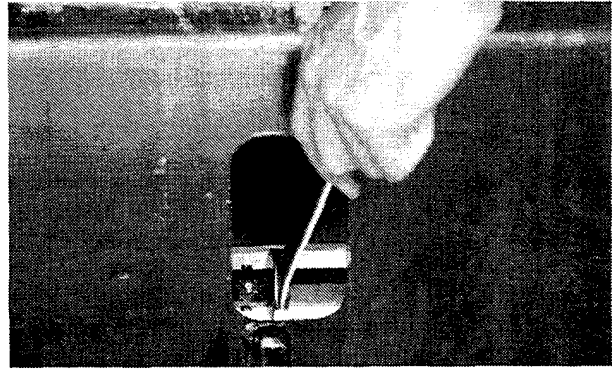
TX,0130,WW106 -19-16APR90

REMOVE AND INSTALL TRACK GUIDES AND SLIDES

IMPORTANT: Slides must be replaced when track chain bushings start to make contact with track guide to prevent excessive wear to bushings.

CAUTION: Grease in track adjusting cylinder is under extreme pressure. **DO NOT** remove grease fittings to release track tension.

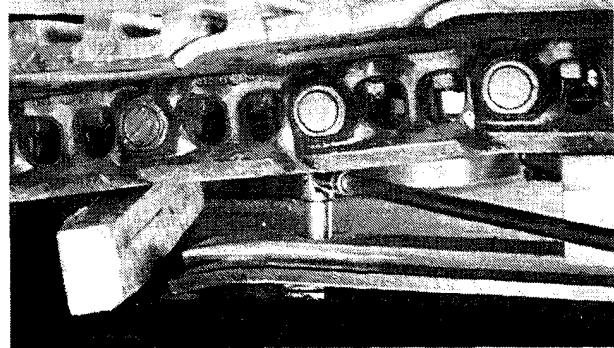
1. Turn the track relief valve counterclockwise approximately three turns to release the grease from track adjusting cylinder.



T6439UJ -UN-25OCT88

TX,0130,WW100 -19-16APR90

2. Lift the track using a chain and hoist.
3. Put wooden blocks between track chain and frame.
4. Remove the cap screws and lock washers to remove track guide, washers and slide.



T82827 -UN-08NOV88

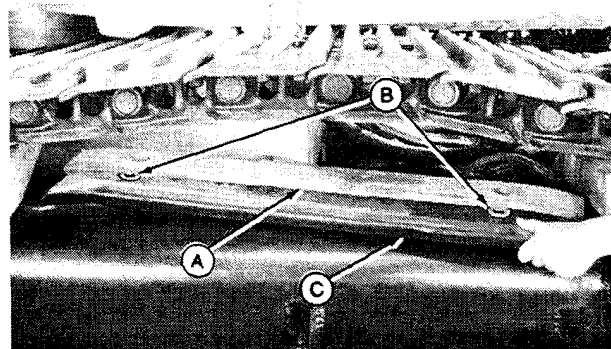
TX,0130,WW101 -19-16APR90

5. Install the slide (C), washers (B) and guide (A).
6. Install the lock washers and cap screws.

TORQUE SPECIFICATIONS

Cap screw 325 N-m (240 lb-ft)

7. Adjust track sag. (See procedure in group 9020.)



T82828 -UN-08NOV88

TX,0130,WW102 -19-16APR90

REMOVE AND INSTALL TRACK PARTS

See TM-1396 790D and 892D—LC for standard remove and install stories. Components that are used only on 793D Feller—Buncher will be covered in this manual.

TX,0130,WW97 -19-16APR90

DISASSEMBLE AND ASSEMBLE TRACKS—LATER UNITS

Later units use split link shown to make it easier to disassemble chain. These new links can be installed on Early Unit track chains but will require a track pin press. See TM-1396 for instructions on how to disassemble chain.

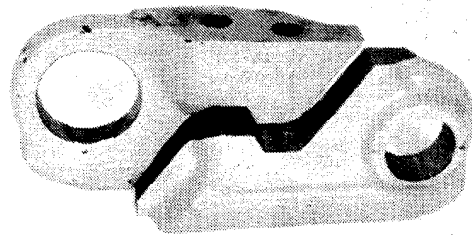
NOTE: If new link is installed on Early Unit chain the Master Link track pad will have to be redrilled to new bolt pattern.

MASTER LINK SPECIFICATIONS

Master Split Link Cap screw

Snug Torque 298 N·m (220 lb-ft)
Torque Turn 1/2 Turn (180°)

NOTE: Master link cap screws and bearing surfaces under head must be lubricated with PT 569 John Deere NEVER-SEEZ® Lubricant or an equivalent.

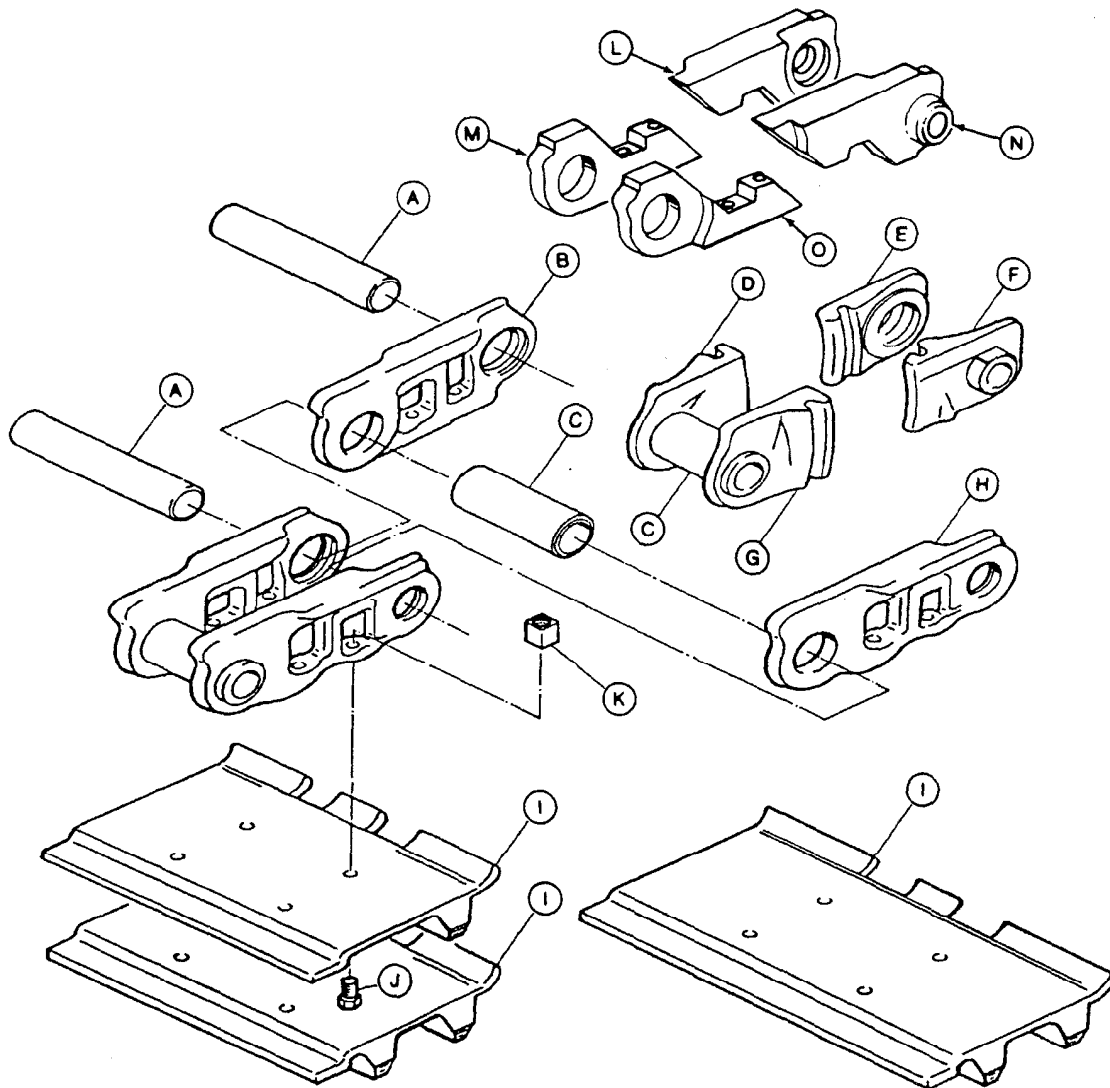


UN-02JUN89
T7076BA

NEVER-SEEZ is a trademark of the Never-Seez Compound Corp.

TX,0130,WW123 -19-16APR90

DISASSEMBLE AND ASSEMBLE TRACKS



- | | | | |
|--|--|--------------------------------------|--|
| A—Pin (45 used) | E—Master Link, Pin End (Early Units) | H—Left Chain Link (44 used) | M—Master Link, Bushing End (Later Units) |
| B—Right Chain Link (44 used) | F—Master Link, Pin End (Early Units) | I—Grouser Shoe (45 used) | N—Master Link, Pin End (Later Units) |
| C—Bushing (45 used) | G—Master Link, Bushing End (Early Units) | J—Cap Screw (180 used) | O—Master Link, Bushing End (Later Units) |
| D—Master Link, Bushing End (Early Units) | | K—Nut (180 used) | |
| | | L—Master Link, Pin End (Later Units) | |

TX.0130,WW122 -19-16MAY90

T7161BA -UN-25OCT89

SPECIFICATIONS

Link Height:

New 121.5 mm (4.78 in.)
100% Worn 110.0 mm (4.33 in.)

Track Pitch: (across five pins)

New 812.0 mm (31.97 in.)
100% Worn 824.7 mm (32.47 in.)

Bushing Outer Diameter:

New 66.6 mm (2.62 in.)
100% Worn 61.8 mm (2.43 in.)

Single Bar Grouser Height:

New 71.5 mm (2.81 in.)
100% Worn 33.4 mm (1.31 in.)

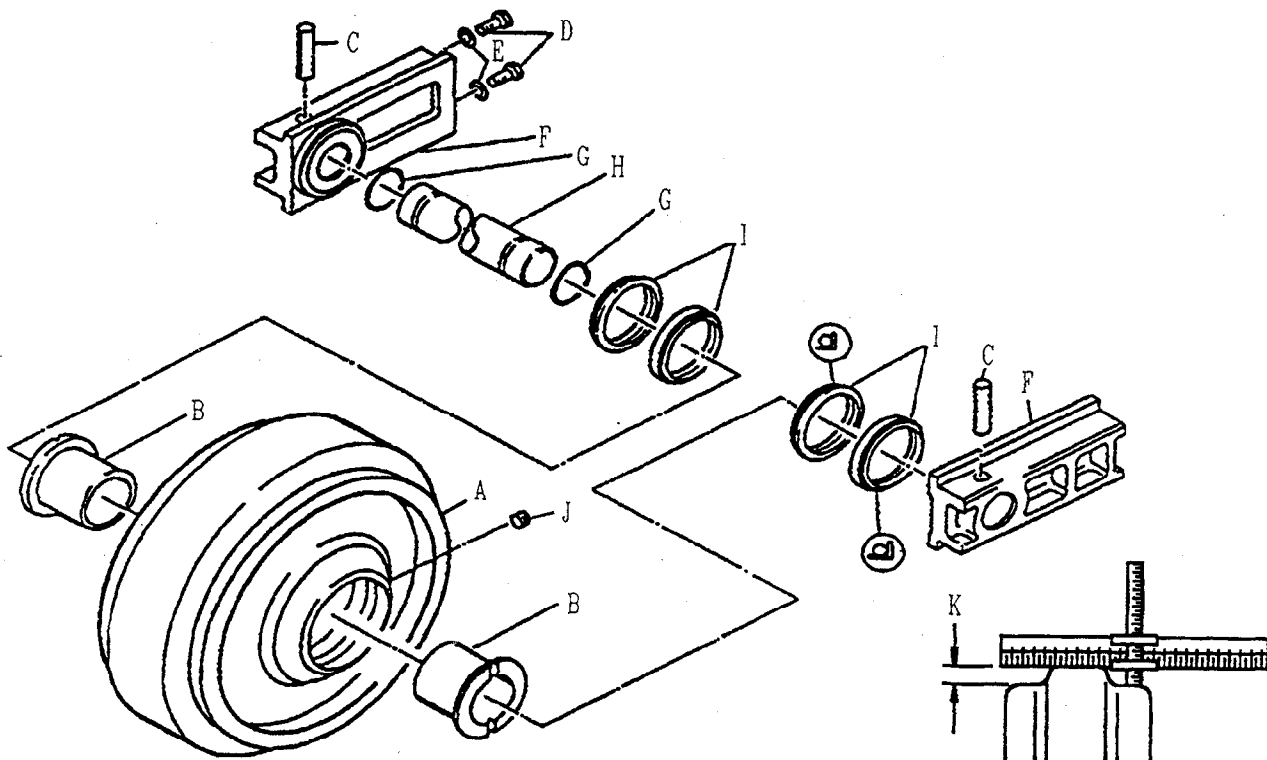
Two Bar Height:

New 37.0 mm (1.46 in.)
100% Worn 16.0 mm (0.63 in.)

NOTE: New Alternate Split Link shown in Later Units can be installed on Early Unit chains. The Master Link track pad bolt pattern will have to be redrilled to match new split link.

TX,0130,SS392 -19-16MAY90

DISASSEMBLE AND ASSEMBLE FRONT IDLER



- | | | | |
|-----------------------|----------------------|-------------------|-----------------|
| A—Idler | D—Cap Screw (2 used) | G—O-Ring (2 used) | J—Plug |
| B—Bushing (2 used) | E—Washer (4 used) | H—Shaft | K—Flange Height |
| C—Spring Pin (2 used) | F—Bracket (2 used) | I—Seal (2 used) | |

1. Remove parts as shown.
2. Remove plug (J) to drain oil.
3. Remove bushings (B) using a puller.
4. Inspect seals (I). Replace if necessary.
5. Install bushings (B) into idler so flange is tight against idler.
6. Install remaining parts.
7. Apply lubricant to end of shaft from O-ring outward, to bore in bracket and to spring pin.
8. Fill idler using recommended oil so it just starts to drip from hole at horizontal to 45° above horizontal.
9. Apply thread lock and sealer (low strength) to threads of plug (J). Tighten plug.
10. Test idler for oil leakage. See procedure in this group.

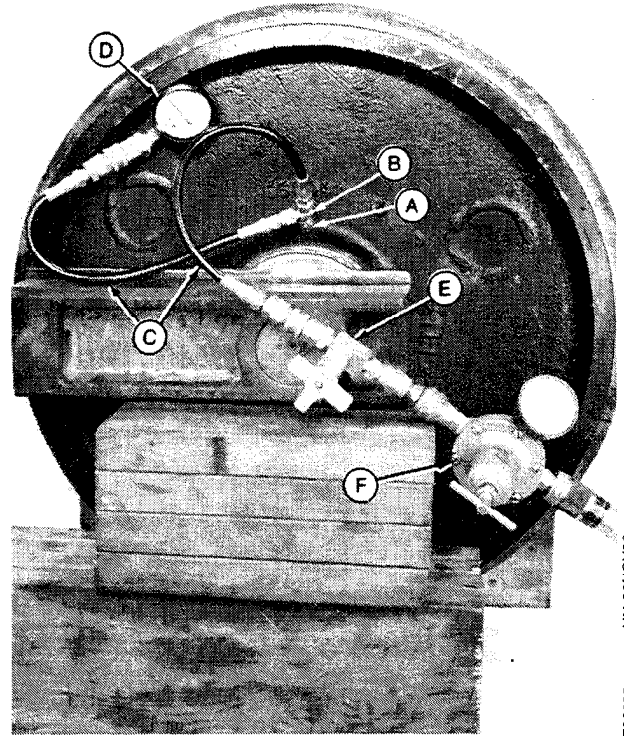
SPECIFICATIONS

Front Idler Flange Height: (K)	
New	25.0 mm (0.98 in.)
100% Worn	18.0 mm (0.71 in.)

T6855AB -JUN-25OCT89

TEST FRONT IDLER FOR OIL LEAKAGE

1. Turn shaft several turns to seat seals.
2. Remove oil plug.
3. Install parts from leak detector kit such as the D-05361ST Rubber Stopper/Leak Detector Kit.
4. Holding plug so it is not pushed out, slowly pressurize oil cavity to 110 ± 28 kPa (1.1 ± 0.3 bar)(16 ± 4 psi) using air.
5. Close valve from leak detector kit and wait for a minimum of 30 seconds to check for oil leakage. Check gauge to see if air pressure has decreased.
6. If there is external leakage, disassemble idler and replace parts as necessary.
7. Check oil level in idler. If the oil level is down and there is no external leakage, check for a leak from oil cavity to interior of idler wheel.
8. Apply thread lock and sealer (low strength) to threads of oil plug. Install and tighten plug.

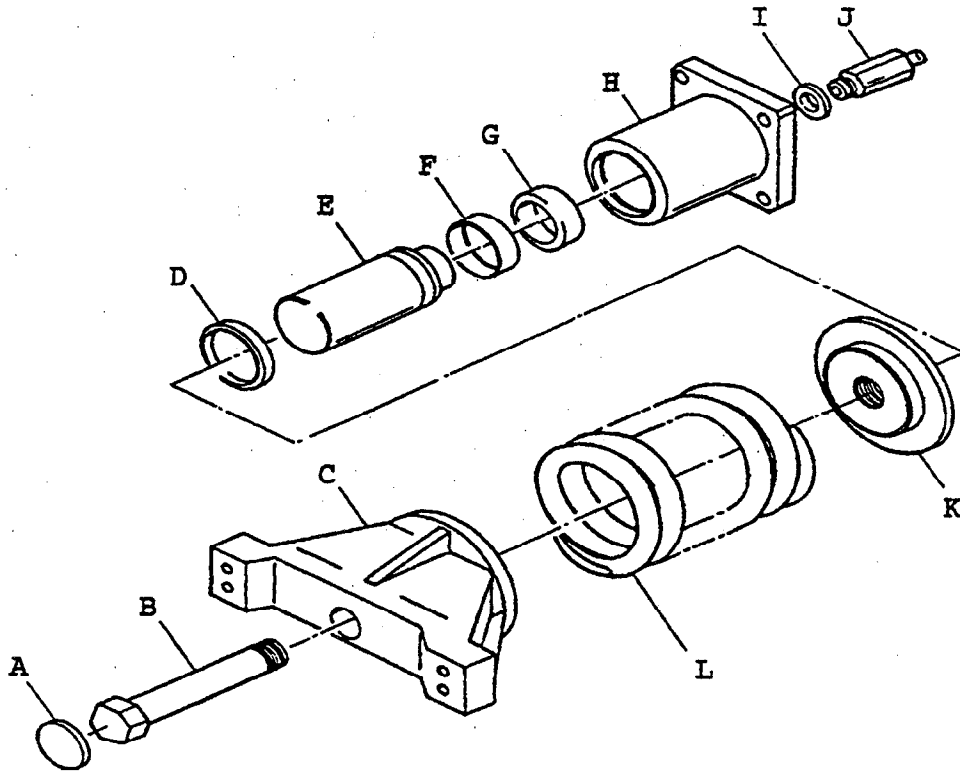


- | | |
|--|-----------------------------|
| A—Plug, Barbed
Adaptor and
Connector | C—Hose |
| B—TO30001 Tee Fitting
7/16-20M 37° x
7/16-20F 37° SW x
7/16-20M | D—Pressure Gauge |
| | E—Snubber (Needle)
Valve |
| | F—Air Pressure
Regulator |

TX,0130,WW95 -19-16APR90

T82933 -UN-08NOV88

DISASSEMBLE TRACK ADJUSTER AND RECOIL SPRING



A—Disk
B—Cap Screw
C—Yoke

D—Wiper Ring
E—Piston
F—Piston Guide Ring

G—Seal
H—Barrel
I—Washer

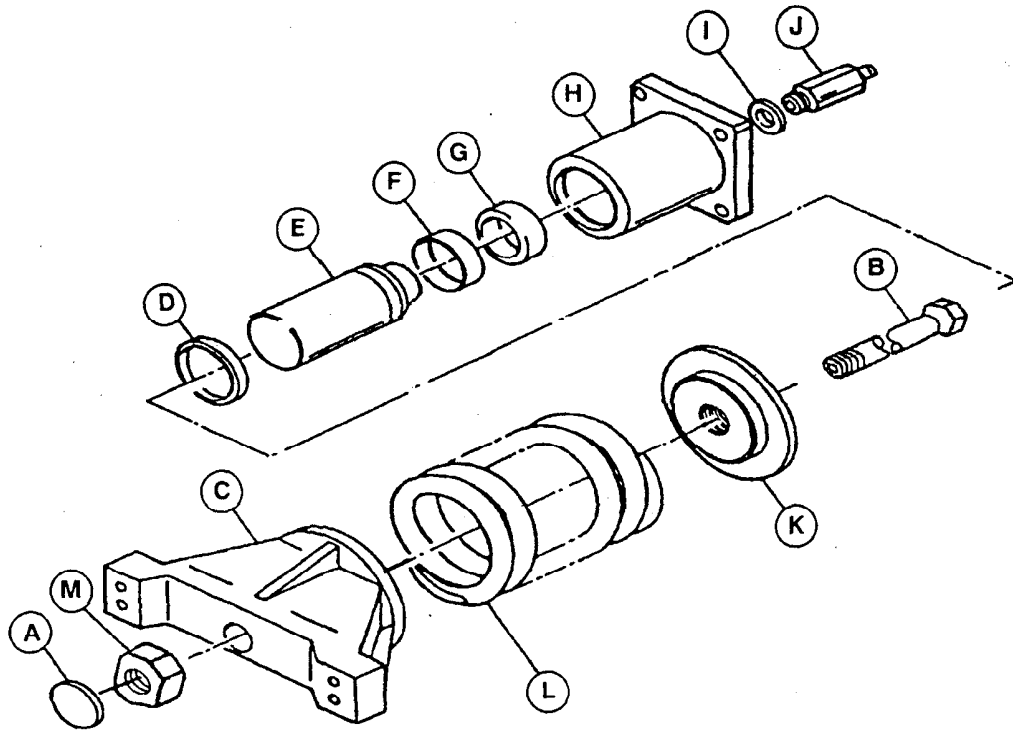
J—Grease Fitting
K—Plate
L—Spring

Early Units

T68159L UN-25OCT88

TX,0130,WW148 -19-17APR90

Track Systems/Track Adjuster And Recoil Spring



T7280AA (CV)

A—Disk
B—Cap Screw
C—Yoke
D—Wiper Ring

E—Piston
F—Piston Guide Ring
G—Seal

H—Barrel
I—Washer
J—Grease Fitting

K—Plate
L—Spring
M—Nut

Later Units

1. Disassemble track adjuster parts (D—J).
2. Remove weld on disk (A) using a torch.

TX,0130,WW127 -19-17APR90

T7280AA -UN-23APR90

CAUTION: Spring or cap screw may break if dropped while handling, transporting or disassembling. Nicks or weld craters in spring and cap screw assembly can cause stress concentration resulting in a weak spot that may result in immediate or eventual spring failure creating a risk of personal injury. Put a heavy protective covering around spring when handling assembly.

A compression tool must be used for disassembly and assembly because of the extreme preload on spring.

3. Place jack on bottom of ST4920 Track Recoil Spring Disassembly and Assembly Tool (A). (See Section 99 for instruction to make tool.)

4. Remove nuts (B) and top plate (C).

SPECIFICATIONS

Recoil Spring Overall Length	
Free	609 mm (23.98 in.)
Compressed	521 mm (20.5 in.)

5. Connect recoil spring assembly to a hoist using lifting strap around spring.

CAUTION: The approximate weight of recoil spring assembly is 144 kg (316 lb).

6. Place recoil spring assembly in compression tool (A).

7. Install DFT1087 Track Recoil Spring Disassembly and Assembly Guard Tool (D). (See Section 99 for instruction to make tool.)

8. Install plate (C) and nuts (B).

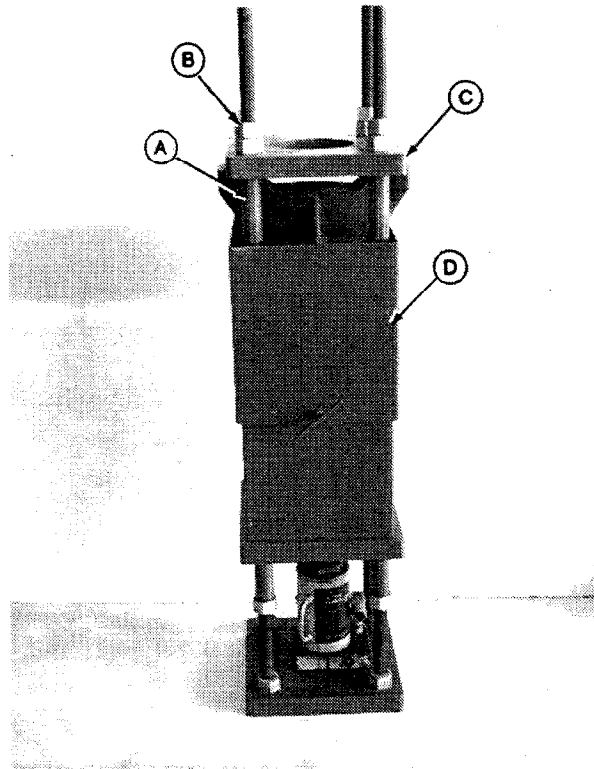
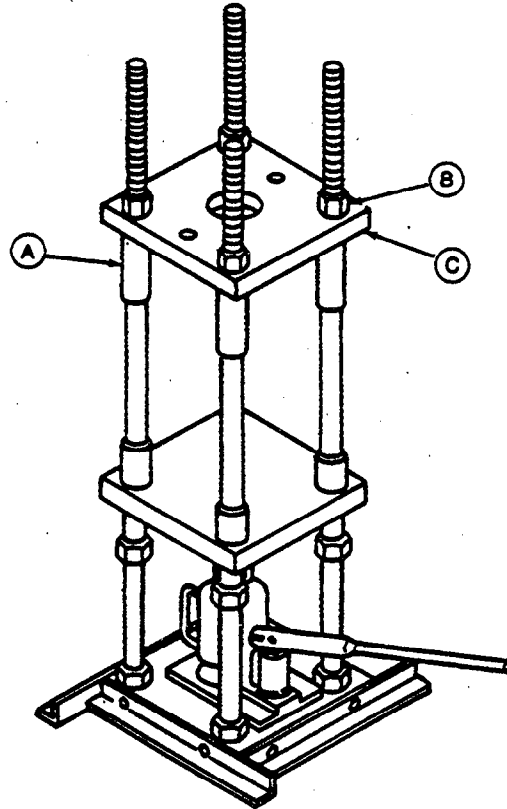
9. Operate jack to compress spring until load is off nut (later units) or cap screw head (early units).

10. Remove nut (later units) or cap screw (early units).

11. Lower jack to release spring force.

12. Remove nuts (B) and plate (C).

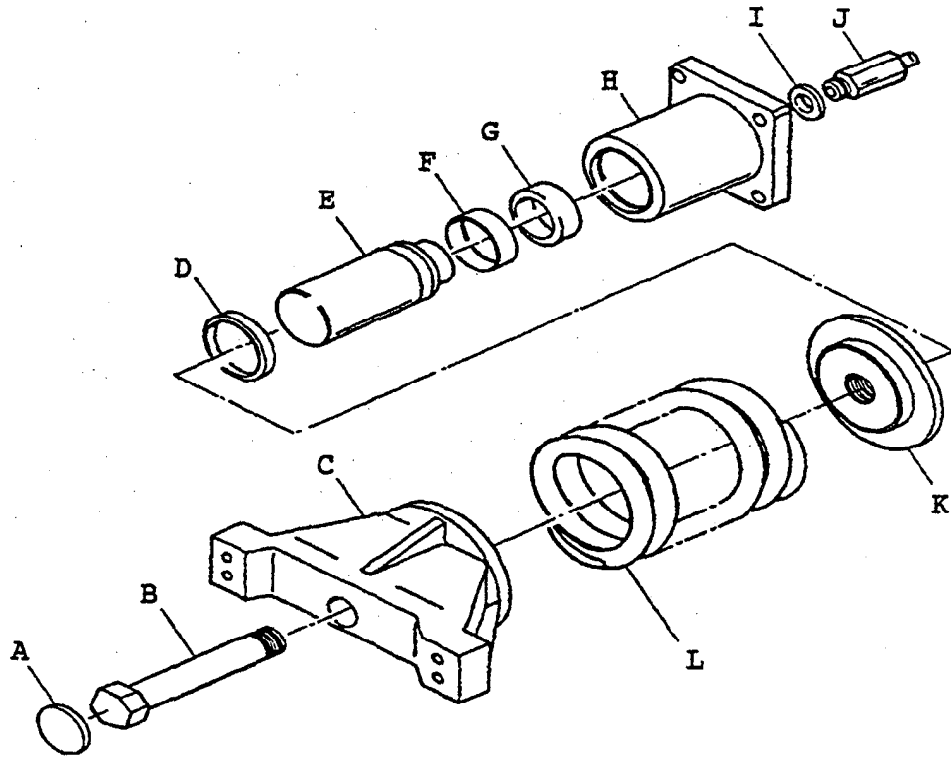
13. Remove remaining parts.



T6557DY -UN-25OCT88

T7199AA -UN-23APR90

ASSEMBLE TRACK ADJUSTER AND RECOIL SPRING



A—Disk
B—Cap Screw
C—Yoke

D—Wiper Ring
E—Piston
F—Piston Guide Ring

G—Seal
H—Barrel
I—Washer

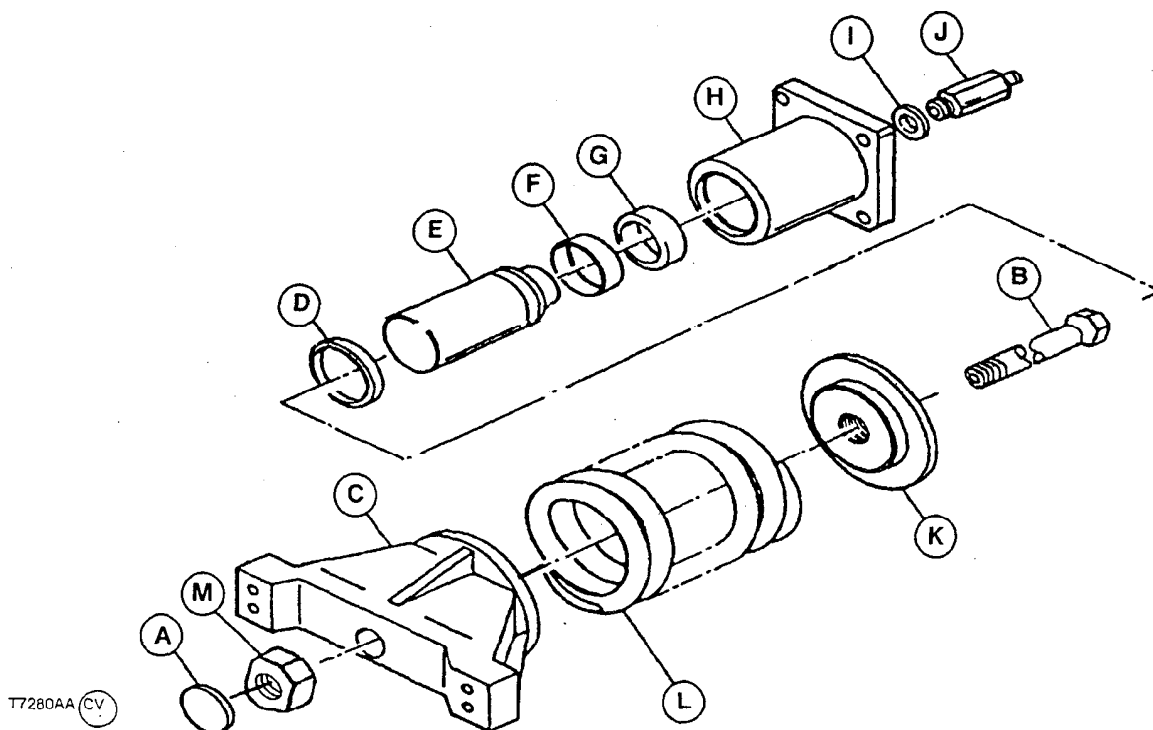
J—Grease Fitting
K—Plate
L—Spring

Early Units

TX,0130,WW130 -19-17APR90

T6815BL UN-25OCT88

Track Systems/Track Adjuster And Recoil Spring



A—Disk
B—Cap Screw
C—Yoke
D—Wiper Ring

E—Piston
F—Piston Guide Ring
G—Seal

H—Barrel
I—Washer
J—Grease Fitting

K—Plate
L—Spring
M—Nut

Later Units

1. Assemble track adjuster parts (D—J).
2. Apply grease to piston, seal and bore of barrel.
3. Push piston to bottom of barrel to push out the air.

TX.0130.WW131 -19-17APR90

T7280AA -UN-23APR90

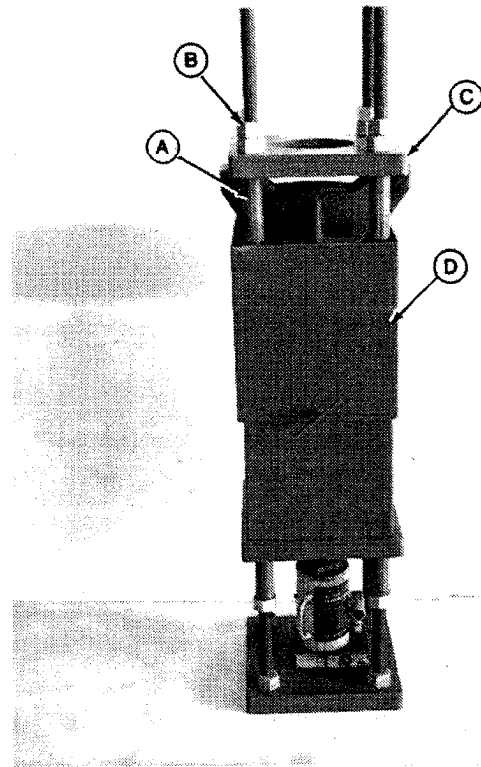
4. Install cap screw, plate, spring and yoke in track recoil spring disassembly and assembly tool (A).
5. Install jack on bottom of tool.
6. Install track recoil spring disassembly and assembly guard tool (D).
7. Install plate (C) and nuts (B).
8. Operate jack to compress spring to the compressed length.

SPECIFICATIONS

Recoil Spring Overall Length

Free	609 mm (23.98 in.)
Compressed	521 mm (20.5 in.)

9. On later units, install nut and tighten. On early units, install cap screw and tighten.
10. Lower jack.
11. Remove nuts (B) and plate (C). Remove guard (D).
12. Remove recoil spring assembly from tool (A) using a hoist with a lifting strap around spring.



T7139AA -UN-23APR90

TX,0130,WW125 -19-17APR90

MEASURE LOWER TRACK ROLLER WEAR

ROLLER TREAD DIAMETER SPECIFICATIONS

New 150 mm (5.90 in.)

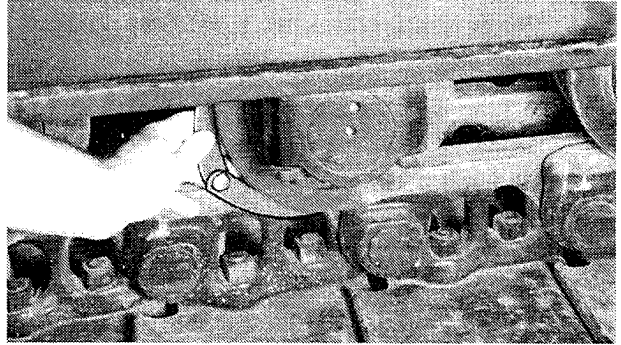
Minimum Used 140 mm (5.51 in.)

Minimum used is the maximum allowable wear for rebuilding roller thread.

Under some conditions roller wear can be uneven. If wear is uneven, rollers may be interchanged to even out the wear.

Measure roller tread diameter using a caliper available in the JT05518 or JT05523 Undercarriage Inspection Service Tool Kit.

NOTE: See Undercarriage Appraisal Manual SP-326 for additional information.

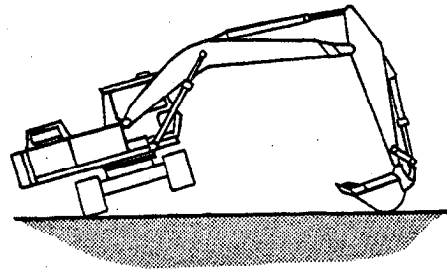


-JUN-06NOV88
T87973

TX,0130,WW98 -19-16APR90

REMOVE AND INSTALL LOWER TRACK ROLLER

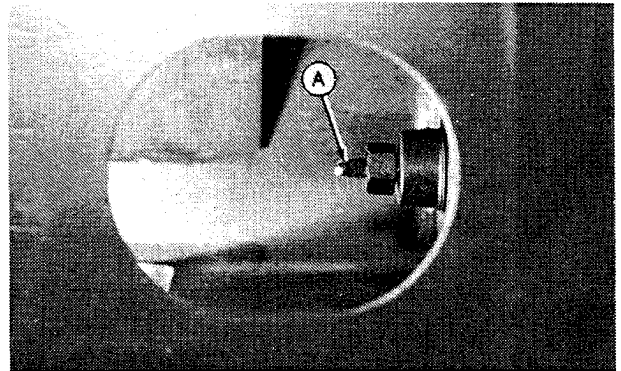
1. Swing upperstructure 90° and lower bucket to raise track off ground. Keep angle between boom and arm 90°—100° and position round side of bucket on ground.



-JUN-19OCT88
T6557CN

0130,NN4 -19-16APR90

2. Open adjuster grease valve (A) to drain grease.



-JUN-25OCT88
T6557DB

0130,NN5 -19-16APR90



Suggest:

If the above button click is invalid.

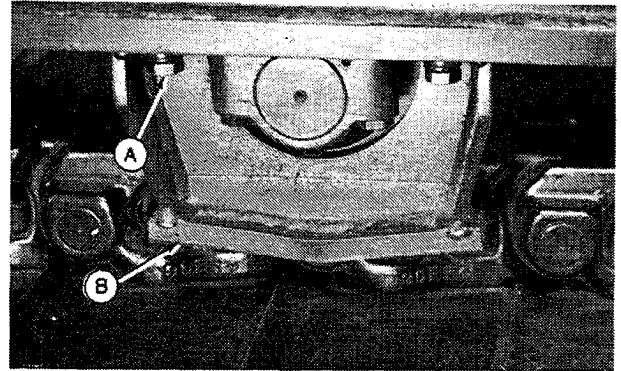
Please download this document

first, and then click the above link

to download the complete manual.

Thank you so much for reading

3. Remove cap screws (A) and roller guard (B).



T6557DA
-JUN-25OCT88

0130,NN6 -19-16APR90

4. Remove cap screws (A).

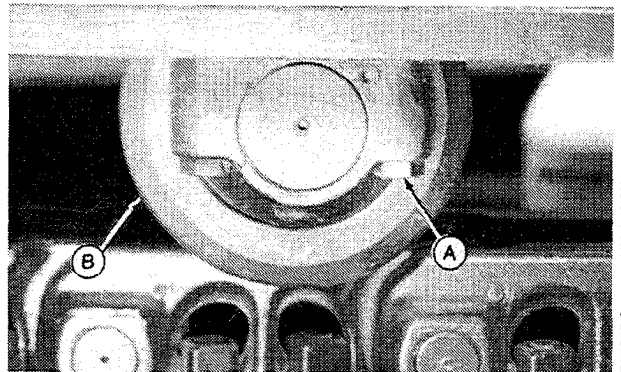
⚠ CAUTION: Lower roller weighs approximately 38 kg (84 lb).

5. Attach hoist to lower roller (B), remove and repair or replace parts. (See procedure in this group.)

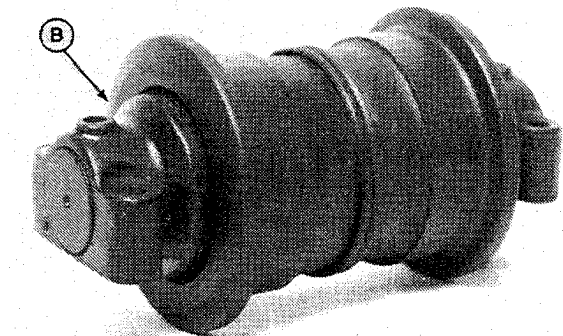
6. Install roller on track link with flat portion of collar pointing upward.

7. Lower excavator enough to allow cap screws (A) to be installed.

8. Apply thread lock and sealer (high strength) to cap screw threads. Tighten cap screws to 264 N·m (195 lb-ft).



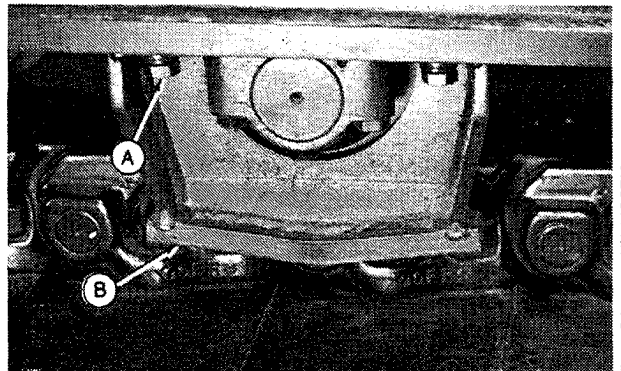
T6557DC
-JUN-25OCT88



T6557DD
-JUN-25OCT88

TX,0130,WW108 -19-16APR90

9. Install roller guard (B) and tighten cap screws (A) to 264 N·m (195 lb-ft).



T6557DA
-JUN-25OCT88

0130,NN8 -19-16APR90

<https://www.ebooklibonline.com>

Hello dear friend!

Thank you very much for reading.

Enter the link into your browser.

The full manual is available for immediate download.

<https://www.ebooklibonline.com>