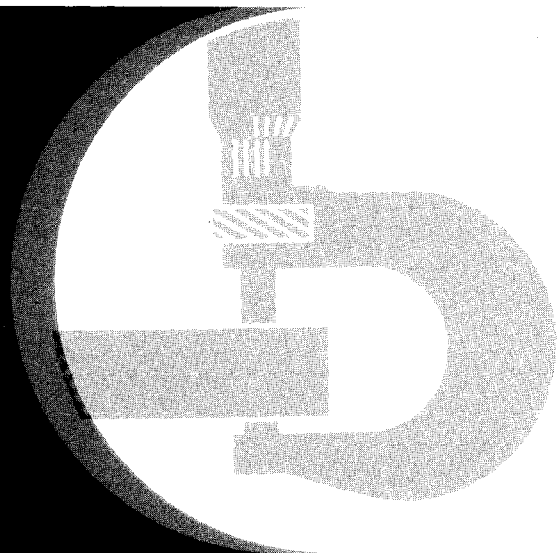


**450D  
Crawler Bulldozer  
455D  
Crawler Loader**



**TECHNICAL MANUAL**

**TM1291 (Oct-87)**  
LITHO IN U.S.A.

# 450D CRAWLER BULLDOZER AND 455D CRAWLER LOADER TECHNICAL MANUAL TM-1291 (OCT-87)

## SECTION AND GROUP CONTENTS

### SECTION I - GENERAL INFORMATION

- Group I - Introduction and Safety Information
- Group II - General Specifications
- Group III - Cap Screw Torque Values
- Group IV - Lubrication

### SECTION 01 - TRACKS

- Group 0130 - Track Systems

### SECTION 02 - AXLES AND SUSPENSION SYSTEMS

- Group 0250 - Axle Shaft, Bearings, Reduction Gears and Steering Clutches

### SECTION 03 - TRANSMISSION

- Group 0315 - Controls
- Group 0350 - Gears, Shafts, Bearings, and H-L-R Clutch
- Group 0360 - Transmission Hydraulics (See Group 0350)

### SECTION 04 - ENGINE

- Group 0400 - Removal and Installation
- Group 0401 - Crankshaft and Main Bearings
- Group 0402 - Camshaft and Valve Actuating Means
- Group 0403 - Connecting Rods and Pistons
- Group 0404 - Cylinder Block (Liners)
- Group 0407 - Engine Oiling System
- Group 0409 - Cylinder Head and Valves
- Group 0413 - Fuel Injection System

### SECTION 04 - ENGINE - Continued

- Group 0415 - Engine Balancer
- Group 0416 - Turbocharger
- Group 0417 - Water Pump
- Group 0418 - Thermostats, Housing and Piping
- Group 0419 - Engine Oil Cooler
- Group 0420 - Fuel Filter
- Group 0421 - Fuel Transfer Pump
- Group 0422 - Starting System
- Group 0433 - Flywheel, Housing and Fasteners

### SECTION 05 - ENGINE AUXILIARY SYSTEMS

- Group 0505 - Cold Weather Starting Aids
- Group 0510 - Cooling Systems
- Group 0515 - Speed Controls
- Group 0560 - External Fuel Supply Systems

### SECTION 07 - TRACTION CLUTCH

- Group 0715 - Controls
- Group 0752 - Elements

### SECTION 09 - STEERING SYSTEMS

- Group 0960 - Power Steering

### SECTION 15 - EQUIPMENT ATTACHING

- Group 1511 - Drawbar

*Continued on next page*

*All information, illustrations and specifications contained in this technical manual are based on the latest information available at the time of publication. The right is reserved to make changes at any time without notice.*

Copyright© 1987  
DEERE & COMPANY  
Moline, Illinois  
All Rights Reserved  
A JOHN DEERE ILLUSTRATION  
Previous Edition  
Copyright© 1986 Deere & Company  
Copyright© 1985 Deere & Company  
Copyright© 1984 Deere & Company  
Copyright© 1983 Deere & Company

T64;1291 01 220987

## SECTION AND GROUP CONTENTS - Continued

### SECTION 16 - ELECTRICAL SYSTEMS

- Group 1671 - Batteries, Support, and Cables
- Group 1672 - Alternator
- Group 1673 - Lighting System
- Group 1674 - Wiring Harness and Switches
- Group 1676 - Instruments and Indicators

### SECTION 17 - FRAME, CHASSIS, OR SUPPORTING STRUCTURE

- Group 1740 - Frame Installation
- Group 1746 - Frame Bottom Guards
- Group 1749 - Chassis Weights

### SECTION 18 - OPERATOR'S STATION

- Group 1810 - Operator Enclosure

### SECTION 19 - SHEET METAL

- Group 1910 - Hood or Engine Enclosure
- Group 1921 - Grille and Grille Housing

### SECTION 30 - WINCH

- Group 3015 - Controls Linkage
- Group 3050 - Winch Drive and Clutches
- Group 3060 - Winch Hydraulic System

### SECTION 31 - LOADER

- Group 3102 - Buckets
- Group 3103 - Forks
- Group 3115 - Controls Linkage
- Group 3140 - Frames
- Group 3160 - Hydraulic System

### SECTION 32 - BULLDOZER

- Group 3201 - Blades
- Group 3215 - Controls Linkage
- Group 3240 - Frames
- Group 3260 - Hydraulic System

### SECTION 33A - BACKHOE 9300

- Group 3300A - Removal and Installation
- Group 3302A - Bucket
- Group 3315A - Controls Linkage
- Group 3340A - Frames
- Group 3360A - Hydraulic System

### SECTION 33B - BACKHOE 9550

- Group 3300B - Removal and Installation
- Group 3302B - Bucket
- Group 3315B - Controls Linkage
- Group 3340B - Frames
- Group 3360B - Hydraulic System

### SECTION 37 - LOG ARCH

- Group 3740 - Arch Frames

### SECTION 40 - WINCH DRIVE

- Group 4051 - Gears, Shafts and Bearings

### SECTION 42 - GROUND CONDITIONING TOOL

- Group 4201 - Teeth and Shanks
- Group 4240 - Frame
- Group 4260 - Hydraulic System

### SECTION 90 - SYSTEM TESTING

- Group 9005 - General Information
- Group 9010 - Engine
- Group 9015 - Electrical System
- Group 9020 - Power Train
- Group 9025 - Hydraulic System
- Group 9030 - Miscellaneous Components

### SECTION 99 - SPECIAL TOOLS

### INDEX

**<https://www.ebooklibonline.com>**

Hello dear friend!

Thank you very much for reading.

Enter the link into your browser.

The full manual is available for immediate download.

**<https://www.ebooklibonline.com>**

# INTRODUCTION AND SAFETY INFORMATION

## INTRODUCTION

This technical manual is part of a twin concept of service.

### FOS Manuals - for reference

### Technical Manuals - for actual service

The two kinds of manuals work as a team to give you both the general background and technical details of shop service.

*Fundamentals of Service (FOS) Manuals* cover basic theory of operation, fundamentals of troubleshooting, general maintenance, and basic types of failures and their causes. FOS Manuals are for training new personnel and for reference by experienced technicians.

*Technical manuals* are concise service guides for specific machines. Technical manuals are on-the-job guides containing only the vital information needed by an experienced service technician.



63A:T35958, T285 II01 150383

## FEATURES OF THIS TECHNICAL MANUAL

- John Deere ILLUSTRATION format emphasizing detailed pictures and fewer words in easy-to-use modules.
- Removal and installation groups preceding some repair groups.
- A section of system diagnostic testing.
- Table of contents of all sections at the front of the manual and a listing of all groups and headings at the front of each section.
- Special tools and specifications listed at the front of each group they are used in.
- Special tools illustrated in numerical order at end of manual.
- Alphabetical listing of all major components, specifications, and special tools.
- Safety rules, general specifications, and lubrication specifications.

This technical manual was planned and written for you - an experienced service technician. Keep it in a permanent binder in the shop where it is handy. Refer to it when you need to know correct service procedures or specifications.

Using the technical manual as a guide will reduce error and costly delay. It will also assure you the best in finished service work.



63A:T85959 T285 I II15 150383

## SAFETY AND YOU



**CAUTION:** This safety symbol is used for important safety messages. When you see this symbol, follow the safety message to avoid personal injury.



65A/T61369 T28:1 1102 150363

## AVOID FIRE HAZARDS

Be prepared if an accident or fire should occur. Know where the first aid kit and the fire extinguishers are located — know how to use them.

Do not smoke while refueling or handling highly flammable material.

Shut off the engine when refueling.

Use care in refueling if the engine is hot.

Do not use open pans of gasoline or diesel fuel for cleaning parts. Use good commercial, nonflammable solvents.

Provide adequate ventilation when charging batteries.

Do not check battery charge by placing metal objects across the posts.

Do not allow sparks or open flame near batteries.

Do not smoke near battery.

Never check fuel, battery electrolyte, or coolant levels with an open flame.

Never use an open flame to look for leaks anywhere on the equipment.

Never use an open flame as light anywhere on or around the equipment.

When preparing engine for storage, remember that inhibitor is volatile and therefore dangerous. Seal and tape openings after adding the inhibitor. Keep container tightly closed when not in use.

Inspect electrical wiring for worn or frayed insulation. Install new wiring if wires are damaged.



88A/T66875 T82:SKSA L 150383

### PREVENT FIRES BEFORE STARTING ENGINE

If machine is equipped with a fire extinguisher, check for correct charge.

Open both side shields and grille and remove trash.

Remove trash from other bottom guards, drive lines, batteries, hydraulic lines, fuel tank and operator's station.

Check for leaking fuel lines, hydraulic lines, hoses, or fittings with a piece of cardboard or wood. Do not use your hands. Tighten loose fittings. If lines are bent or hoses kinked, install new parts.

T82;CRSA A 080483

### PREVENT FIRES AFTER STOPPING ENGINE

Temperature in engine compartment may go up immediately after you stop the engine. **BE ON GUARD FOR FIRES.**

Before you clean trash from the engine compartment, wait until the engine has cooled. Open side shields to cool the engine faster. While the engine cools, clean trash from other areas.

T82;SKSA B 061282

### HANDLE STARTING FLUID SAFELY

If your machine is equipped with a starting fluid starting aid, remember starting fluid is highly flammable. **DO NOT** incinerate or puncture a starting fluid container. **DO NOT** store a starting fluid container in a high-temperature area.

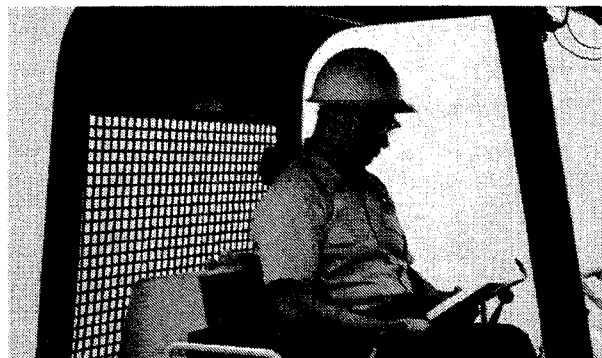


88A;T90207 T82;CRSA G 210283

### UNDERSTAND MACHINE OPERATION

Only qualified people should operate the machine.

Learn the location and purpose of all controls, instruments, indicators, and labels.



88A;T90203 T82;CRSA B 210283

### WEAR PROTECTIVE CLOTHING

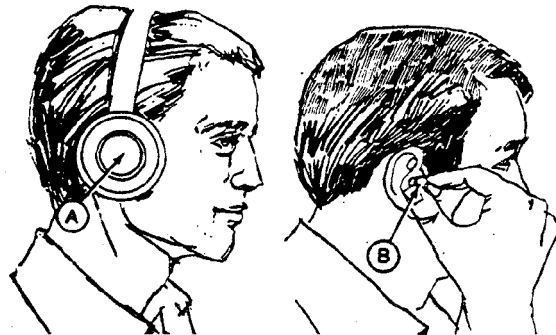
Wear fairly tight clothing . . . and safety equipment.



88A:T85056 T82:EXSA B 100183

### PROTECT AGAINST NOISE

Prolonged exposure to loud noise can cause impairment or loss of hearing. Wear a suitable hearing protective device such as earmuffs (A) or earplugs (B) to protect against objectionable or uncomfortable loud noise.

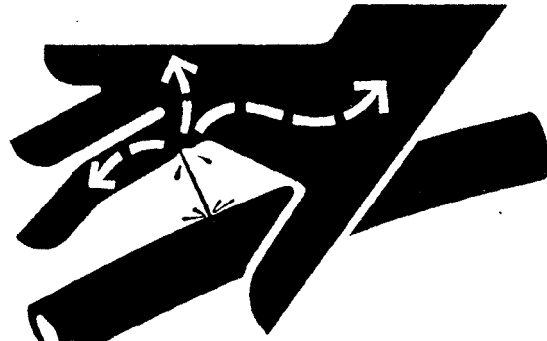


88A:X7662 T82:BHSA E 100183

### AVOID HIGH-PRESSURE FLUIDS

Escaping fluid under pressure can penetrate the skin causing serious injury. Relieve pressure before disconnecting hydraulic or other lines. Tighten all connections before applying pressure. Keep hands and body away from pinholes and nozzles which eject fluids under high pressure. Use a piece of cardboard or paper to search for leaks. Do not use your hand.

If ANY fluid is injected into the skin, it must be surgically removed within a few hours by a doctor familiar with this type injury or gangrene may result.



88A:X9811 T82:BHSA F 100183

### START ENGINE FROM OPERATOR'S SEAT ONLY

Avoid possible injury or death from machinery runaway.

Do not start engine by shorting across starter terminals. Machine will start in gear and will move if normal circuitry is bypassed.

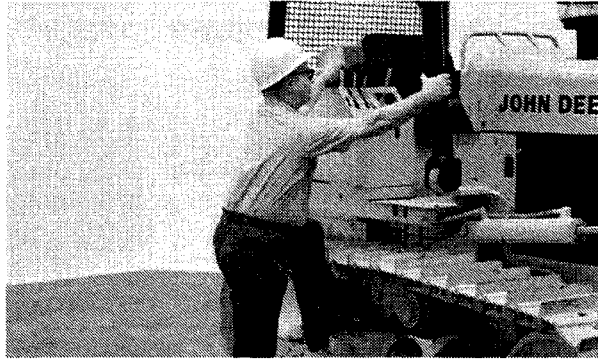
NEVER start engine while standing on ground. Start engine only from operator's seat, with transmission in neutral, neutral-lock lever in LOCK position and brake lock lever engaged.

T82:CRSA AD 260483

*Introduction And Safety Information*

**USE HAND HOLDS AND STEPS**

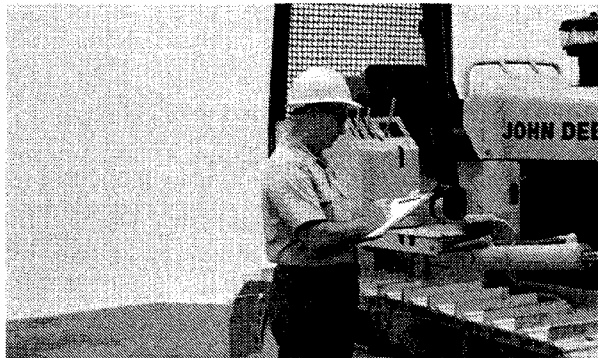
When you get on and off the machine, use handholds and steps.



88A;T90204 T82;CRSA C 210283

**INSPECT MACHINE**

Inspect your machine carefully each day before you start it. See "Pre-Start Inspection".



88A;T90205 T82;CRSA D 210283

**OPERATE MACHINE SAFELY**

DO use your seat belt if your machine has a roll-over protective structure (ROPS).

DO NOT use your seat belt if your machine does not have a ROPS.



88A;T90206 T82;CRSA E 180383

Before you move any equipment, be sure all persons are away from the machine.

When the machine is operating, ONLY the operator should be on it.

Keep operating area level.

T82;CRSA F 210283

## DRIVE CRAWLER BULLDOZER SAFELY

Drive carefully:

- on slopes.
- where room is limited.
- over rough ground, curbs, or tracks.
- near a ditch or excavation.

For traveling:

- carry blade low.
- keep machine in gear at all times.

Use accessory lights and safety devices to warn operators of other vehicles.



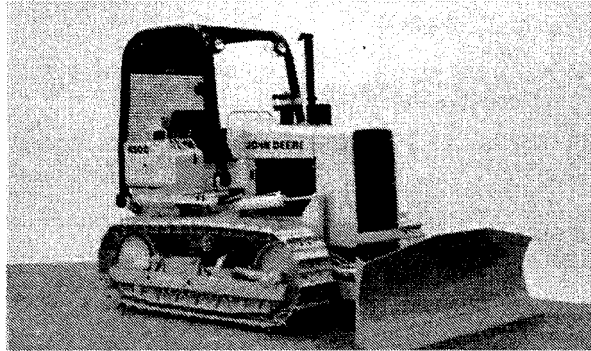
88A:T90208 T82;CRSA H 210283

## PARK SAFELY

Be sure all equipment is on the ground or locked in position.

Before leaving operator's seat be sure machine will not move.

Remove keys from switches and locks.

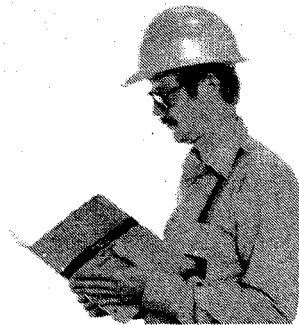


88A:T90209 T82;CRSA I 210283

## UNDERSTAND CORRECT SERVICE

Be sure you understand a service procedure before you work on the machine.

Unauthorized modifications to the machine may impair the function and/or safety and affect machine life.



63A:T87358 T82;TL5A H 191282

## Introduction And Safety Information

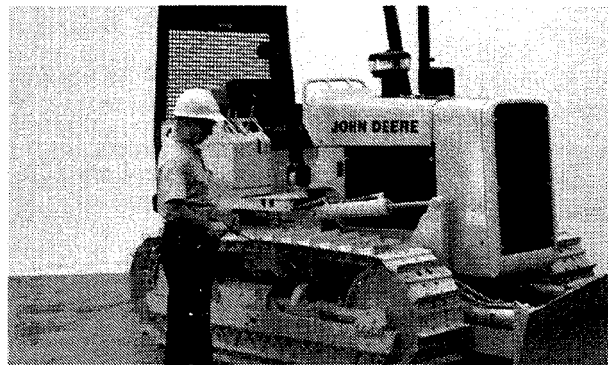
If it is necessary to make checks with the engine running, **ALWAYS USE TWO PEOPLE** — with the operator at the controls, able to see the person doing the checking.

Be sure transmission shift lever is in neutral. Apply and lock foot brake.

**KEEP HANDS AWAY FROM MOVING PARTS.**

T82;BHS A P 080482

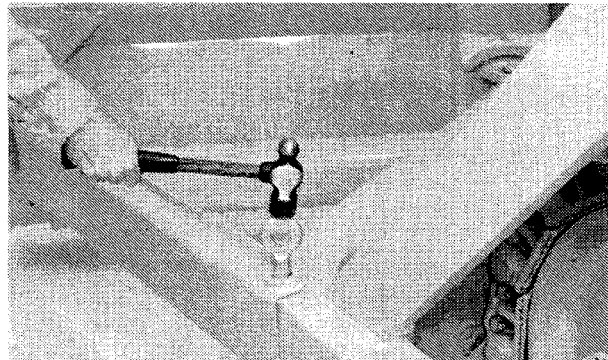
### CLEAN THE MACHINE REGULARLY



88A;T90210 T82;CRSA J 210283

### PROTECT AGAINST FLYING DEBRIS

When you drive connecting pins in or out, guard against injury from flying pieces of metal or debris. Wear goggles or safety glasses, hard hat, and gloves.

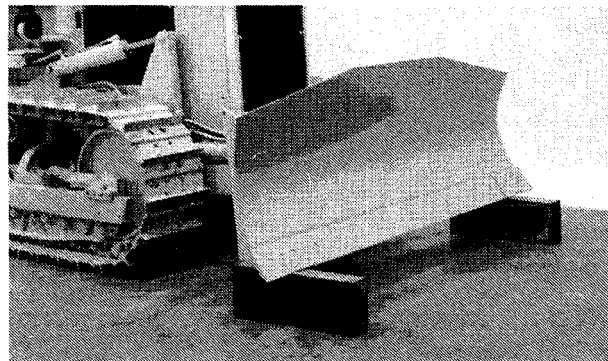


88A;T90211 T82;CRSA K 080483

### SUPPORT RAISED EQUIPMENT

Do not work under raised equipment unless it has a support under it.

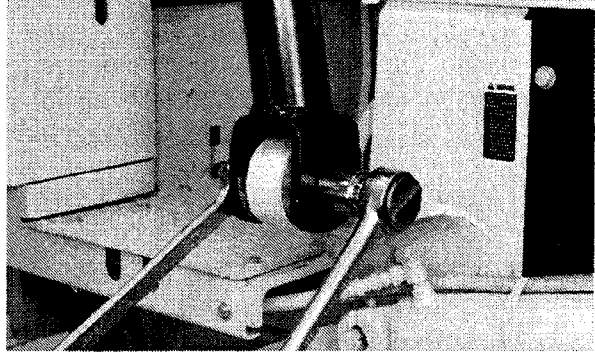
If a support is not available, lower equipment to the ground.



87A;T90212 T82;CRSA L 010683

### KEEP ROPS INSTALLED PROPERLY

If ROLL-OVER protective equipment is loosened or removed for any reason, make certain all parts are reinstalled correctly. Tighten mounting bolts to proper torque. The protection offered by ROPS will be impaired if the ROPS is subject to structural damage, has been involved in an overturn incident or is in anyway altered. Damaged ROPS should be replaced, not reused.

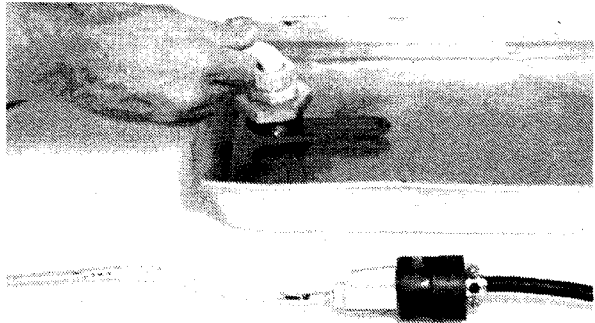


88A;T90213 T82;CRSA M 120483

### TEST COOLANT HEATER IN LIQUID ONLY

Use a heavy-duty grounded cord to connect coolant heater to electrical power.

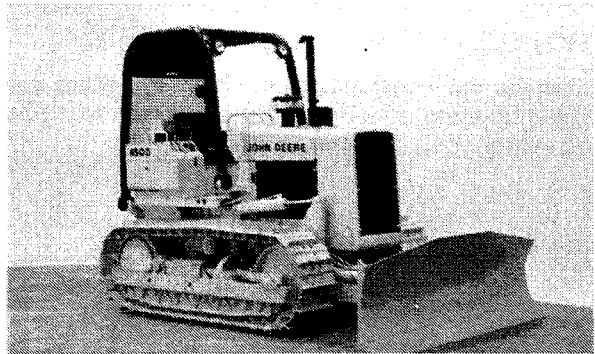
Do not plug into electrical power unless heating element is immersed in coolant. Sheath could burst and result in personal injury.



88A;T87098 T82;RHSA T 110183

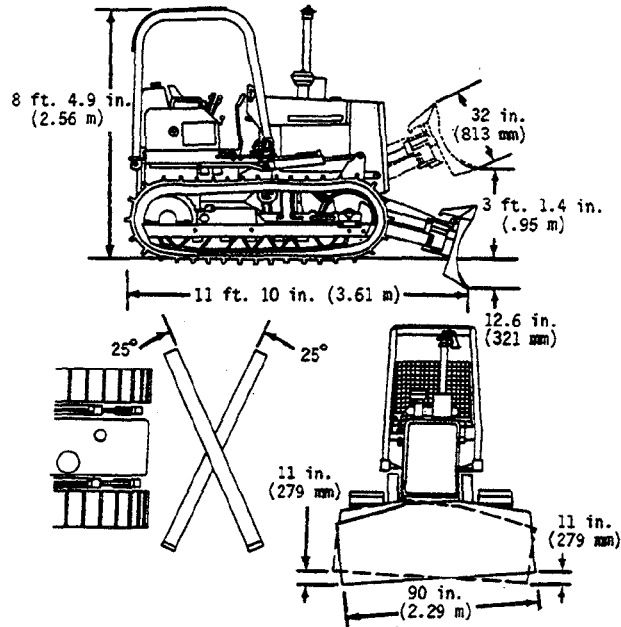
### PREPARE MACHINE FOR REPAIR

1. Lower all equipment to the ground.
2. Put transmission in PARK or engage parking brake.
3. Stop the engine.
4. Operate all hydraulic control levers to release hydraulic pressure in the system.
5. Disconnect negative (-) battery cable.



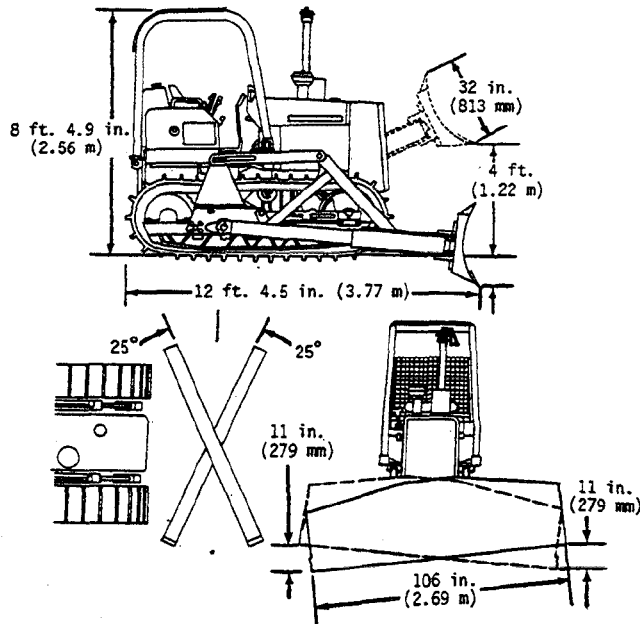
88A;T90209 T82;CRSA AB 200683

**Group II**  
**GENERAL SPECIFICATIONS**



*450D Crawler Dozer With 6405 Blade*

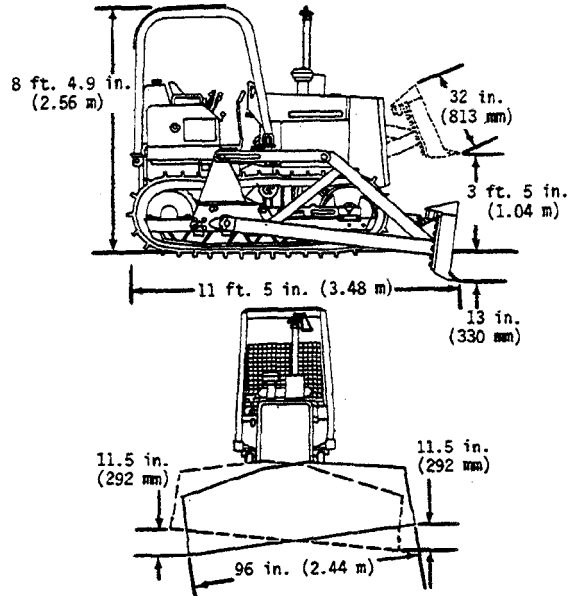
88A/T90425 T82/CRSP A 250283



*450D Crawler Dozer With 6410 Blade*

88A/T90426 T82/CRSP C 250283

General Specifications



450D Crawler Dozer With 6415 Blade

88A;T98427 T82;CRSP D 250283

450D Crawler Dozer

Capacities:	U.S.	Metric
Engine coolant .....	4 gal	15.0 L
Engine oil including filter .....	9 qt	8.5 L
Transmission .....	8 gal	30.3 L
Final drive (each side) .....	6.25 qt	5.9 L
Hydraulic reservoir .....	6 gal	22.7 L
Hydraulic system:		
(6405 dozer) .....	9.5 gal	36.0 L
(6410 dozer) .....	8.5 gal	32.2 L
(6415 dozer) .....	8.5 gal	32.2 L
Steering clutch housing (each side) .....	7 gal	26.5 L
Fuel tank .....	31 gal	117.3 L

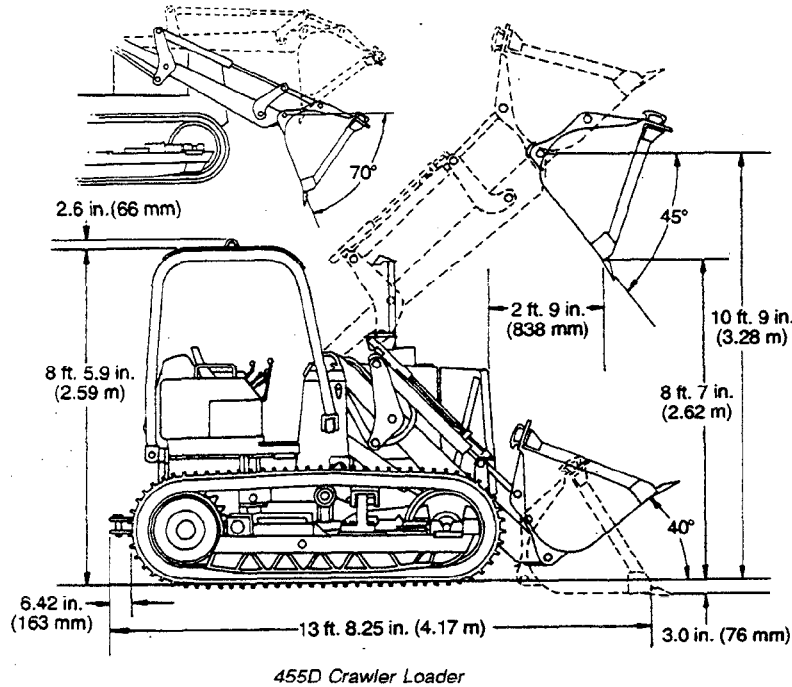
SAE Operating Weight:

16 in. (406 mm) grouser shoes .....	12,260 lb (5560 kg)
6405 dozer and 16 in. (406 mm) grouser shoes .....	14,640 lb (6640 kg)
6410 dozer and 18 in. (457 mm) grouser shoes .....	14,830 lb (6727 kg)
6415 dozer and 18 in. (457 mm) grouser shoes .....	15,240 lb (6913 kg)

(Specifications and design subject to change without notice. Wherever applicable, specifications are in accordance with ICED and SAE Standards. Except where otherwise noted, these specifications are based on a unit with roll-over protective structure and standard equipment.)

T82;CRSP M 200683

General Specifications



88A/T92254 T82/CRSP K 170583

**455D CRAWLER LOADER**

**455D Crawler Loader**

Capacities:	U.S.	Metric
Engine coolant .....	4 gal .....	15.0 L
Engine oil including filter .....	9 qt .....	8.5 L
Transmission .....	8 gal .....	30.3 L
Final drive (each side) .....	6.25 qt .....	5.9 L
Hydraulic reservoir .....	6 gal .....	22.7 L
Hydraulic system:		
(6405 dozer) .....	9.5 gal .....	36.0 L
(6410 dozer) .....	8.5 gal .....	32.2 L
(6415 dozer) .....	8.5 gal .....	32.2 L
Steering clutch housing (each side) .....	7 gal .....	26.5 L
Fuel tank .....	31 gal .....	117.3 L

**SAE Operating Weight:**

16 in. (406 mm) grouser shoes .....	12,260 lb (5560 kg)
6405 dozer and 16 in. (406 mm) grouser shoes .....	14,640 lb (6640 kg)
6410 dozer and 18 in. (457 mm) grouser shoes .....	14,830 lb (6727 kg)
6415 dozer and 18 in. (457 mm) grouser shoes .....	15,240 lb (6913 kg)

(Specifications and design subject to change without notice. Wherever applicable, specifications are in accordance with ICED and SAE Standards. Except where otherwise noted, these specifications are based on a unit with roll-over protective structure and standard equipment.)

T82/CRSP N 200683

# Group III CAP SCREW TORQUE VALVES




## HARDWARE TORQUE SPECIFICATIONS

Check all cap screws and nuts, which can be easily reached, to be sure they are tight. If hardware is loose, tighten it to torque shown on chart below unless a special torque is specified.

T82:EXMA V 150383

*NOTE: Torques shown are for dry (no lubrication on threads) hardware.*

*NOTE: Torque wrench tolerance is  $\pm 10$  percent of specified torque.*

Cap Screw Size-Inches	Customary Hardware					
	 Grade B		 Grade D		 Grade F	
	lb-ft.	(N-m)	lb-ft.	(N-m)	lb-ft.	(N-m)
1/4	----	----	10	(14)	14	(19)
5/16	----	----	20	(27)	30	(41)
3/8	----	----	35	(47)	50	(68)
7/16	35	(47)	55	(75)	80	(108)
1/2	55	(75)	85	(115)	120	(163)
9/16	75	(102)	130	(176)	175	(237)
5/8	105	(142)	170	(230)	240	(325)
3/4	185	(251)	300	(407)	425	(576)
7/8	160	(217)	445	(603)	685	(929)
1	250	(339)	670	(908)	1030	(1396)
1-1/8	330	(447)	910	(1234)	1460	(1979)
1-1/4	480	(651)	1250	(1695)	2060	(2793)

88A;T8884 T82:EXMA S 150383

## Cap Screw Torque Valves

### O-RING BOSS FITTING SERVICE RECOMMENDATIONS

1. Inspect boss O-ring seat. It must be free of dirt and defects. If repeated leaks occur, inspect for defects with a magnifying glass. Some raised defects can be removed with a slip stone.

Occasionally a lower durometer O-ring will seal against a rough seat. If neither of these solutions work, the component must be replaced.

2. Put hydraulic oil, petroleum jelly or soap on the O-ring. Put a thimble over the threads to protect O-ring from nicks. Slide O-ring over the thimble and into the turned down section of fitting.

For angle fittings, loosen special nut and push special washer against threads so O-ring can be installed into the turned down section of fitting.

3. Turn fitting into the boss by hand until special washer or washer face (straight fitting) contacts boss face and O-ring is squeezed into its seat.

4. To position angle fittings, turn the fitting counterclockwise a maximum of one turn.

5. Tighten straight fittings to the torque valve shown in chart. For angle fittings, tighten the special nut to valve shown in the chart while holding body of fitting with a wrench.

### STRAIGHT FITTING OR SPECIAL NUT TORQUE (1)

Thread Size	Torque <sup>1</sup>		Number Of Flats <sup>2</sup>
	N·m	(lb-ft)	
3/8-24 UNF	8	(6)	2
7/16-20 UNF	12	(9)	2
1/2-20 UNF	16	(12)	2
9/16-18 UNF	24	(18)	2
3/4-16 UNF	46	(34)	2
7/8-14 UNF	62	(46)	1-1/2
1-1/16-12 UN	102	(75)	1
1-3/16-12 UN	122	(90)	1
1-5/16-12 UN	142	(105)	3/4
1-5/8-12 UN	190	(140)	3/4
1-7/8-12 UN	217	(160)	1/2

1. Tolerance  $\pm$  10%.

2. To be used if a torque wrench cannot be used. After tightening fitting by hand, put a mark on nut and boss; then tighten special nut or straight fitting the number of flats shown.

T82:TLPO AA 150403

**TUBE AND HOSE FITTING, 37° FLARE AND 30° CONE SEAT CONNECTOR SERVICE RECOMMENDATIONS**

1. Inspect the flare and the flare seat. They must be free of dirt and defects. If repeated leaks occur, inspect for defects with a magnifying glass. If burrs and raised nicks on the connector body cannot be removed with a slip stone, replace the connector.
2. Defects in the tube flare cannot be repaired. Replace the tube. Overtightening a defective flared fitting will not stop leaks.
3. As a field repair, a ductile truncated cone shaped washer can be used between the tube flare and connector body. These washers are soft enough to fill defects in the seat and flare. They will also seal the connection. Ductile washers are available from industrial supply houses.
4. Align the tube with the fitting before attempting to start the nut. Failure to do so can cause a deformed flare and subsequent leaks. Install hoses without twists. A twisted hose attempts to straighten out when pressure is applied. This exerts a torque on the connection, eventually causing failure.
5. Lubricate the connection with hydraulic fluid, petroleum jelly or soap. Tighten the swivel nut by hand until it is snug.
6. Mark a line across the nut and connector body. This line will serve as a visual indicator as to whether the nut has been tightened and by how much.
7. Using two wrenches, one on the connector body and a torque wrench on the nut, tighten the nut to the torque value as shown in the chart. In the case of a hose, it may be necessary to use three wrenches to prevent twisting.

**TUBE AND HOSE FITTING, 37° FLARE AND 30° CONE SEAT CONNECTOR TORQUE**

Thread Size	Torque <sup>1</sup>		New <sup>2</sup>	Used <sup>3</sup>
	N·m	(lb-ft)	Number of Flats	Number of Flats
3/8-24 UNF	8	(6)	2-1/2	1
7/16-20 UNF	12	(9)	2-1/2	1
1/2-20 UNF	16	(12)	2-1/2	1
9/16-18 UNF	24	(18)	2	1
3/4-16 UNF	46	(34)	2	1
7/8-14 UNF	62	(46)	1-1/2	1
1-1/16-12 UN	102	(75)	1	3/4
1-3/16-12 UN	122	(90)	1	3/4
1-5/16-12 UN	142	(105)	3/4	3/4
1-5/8-12 UN	190	(140)	3/4	3/4
1-7/8-12 UN	217	(160)	1/2	1/2

1. Tolerance of  $\pm 10\%$ .
2. To be used if a torque wrench cannot be used. After tightening fitting by hand, put a mark across the fittings, then tighten fitting the number of flats shown.
3. Flare connection seal by deforming or squeezing the tube between the nut and the connector. More deformation is possible with new parts than with old. Therefore, if a torque wrench is not used for re-assembly, the values in this column must be used to prevent damage.

T82/LP0 AB 150383

### SAE FOUR BOLT FLANGE FITTING SERVICE RECOMMENDATIONS

1. Inspect the sealing surfaces for nicks or scratches, roughness or out-of-flat condition. Scratches cause leaks. Roughness causes seal wear. Out-of-flat causes seal extrusion. If these defects cannot be polished out, replace the component.
2. Install the correct O-ring (and backup washer if required) into the groove using petroleum jelly to hold it in place.
3. For split flange; loosely assemble split flange halves, being sure that the split is centrally located and perpendicular to the port. Hand tighten cap screws to hold parts in place. Do not pinch O-ring.
4. For single piece flange; put hydraulic line in the center of the flange and install four cap screws. With the flange centrally located on the port, hand tighten cap screws to hold it in place. Do not pinch O-ring.
5. For both single piece flange and split flange, be sure the components are properly positioned and cap screws are hand tight. Tighten one cap screw, then tighten the diagonally opposite cap screw. Tighten the two remaining cap screws. Tighten all cap screws within the specified limits shown in the chart.

DO NOT use air wrenches. DO NOT tighten one cap screw fully before tightening the others. DO NOT overtighten.

#### SAE FOUR BOLT FLANGE FITTING TORQUE

Nominal Flange Size	Cap Screw Size <sup>1</sup>	Torque <sup>2</sup>			
		N·m		(lb-ft)	
		Min.	Max.	Min.	Max.
1/2	5/16 - 18 UNC	20	31	(15)	(23)
3/4	3/8 - 16 UNC	28	54	(21)	(40)
1	3/8 - 16 UNC	37	54	(27)	(40)
1-1/4	7/16 - 14 UNC	47	85	(35)	(63)
1-1/2	1/2 - 13 UNC	62	131	(46)	(97)
2	1/2 - 13 UNC	73	131	(54)	(97)
2-1/2	1/2 - 13 UNC	107	131	(79)	(97)
3	5/8 - 11 UNC	158	264	(117)	(195)
3-1/2	5/8 - 11 UNC	158	264	(117)	(195)
4	5/8 - 11 UNC	158	264	(117)	(195)
5	5/8 - 11 UNC	158	264	(117)	(195)

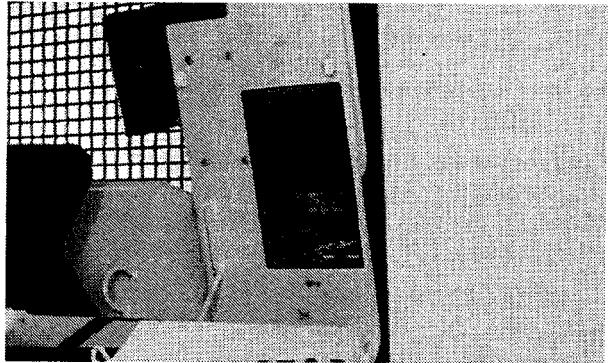
1. SAE Grade 5 or better cap screws with plated hardware.

2. Tolerance  $\pm 10\%$ . The torques given are enough for the given size connection with the recommended working pressure. Torques can be increased to the maximum shown for each cap screw size if desired. Increasing cap screw torque beyond this maximum will result in flange and cap screw bending and connection failures.

## Group IV FUELS AND LUBRICANTS

### USE PERIODIC MAINTENANCE CHART

The chart and the operator's manual list all the service points and the procedures for maintaining the machine. Use them to check, service, and adjust your customer's machine.



88A/T90560 T82/CRFL G 210683

### FUEL SPECIFICATIONS

Use **ONLY** clean, high-quality fuel.

Use Grade No. 2-D fuel above 40°F (4°C).

Use Grade No. 1-D fuel at temperatures below 40°F (4°C).

Use Grade 1-D fuel for all air temperatures at altitudes above 5000 ft (1 500 m).

**IMPORTANT: If fuel sulfur content exceeds 0.5 percent, the engine oil drain interval must be reduced by 50 percent (to 100 hours).**

**Use fuel with less than 1.0 per cent sulfur. If possible, use fuel with less than 0.5 per cent sulfur.**

For maximum filter life, sediment and water should not be more than 0.10 per cent.

The cetane number should be 40 minimum. If you operate your machine where air temperatures are normally low or where altitudes are high, you may need fuel with a higher cetane number.

Cloud Point - For cold weather operation, cloud point should be 10°F (6°C) below lowest normal air temperature.

T82/BHFL F 150982

## FUEL STORAGE

*NOTE: Diesel fuels stored for a long time may form gum and plug filters.*

Keep fuel in a clean container in a protected area. Water and sediment must be removed before fuel gets to the engine. Do not use de-icers to remove water from fuel. Do not depend on fuel filters to remove water.

If possible, install a water separator at the storage tank outlet. See your John Deere dealer for this part.

**IMPORTANT: Keep all dirt, scale, water or other foreign material out of fuel.**

Store fuel drums on their sides with plugs up.

T82:BFHL G 150982

## FUEL TANK

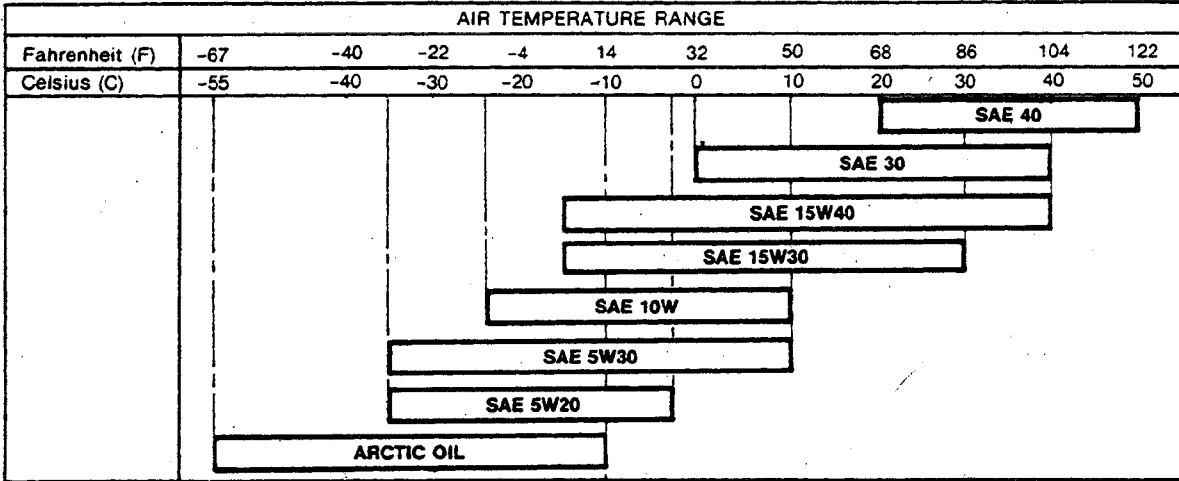


**CAUTION: Handle fuel carefully. If the engine is hot or running, do not fill the fuel tank. Do not smoke while you fill fuel tank or work on fuel system.**

To avoid condensation, fill the fuel tank at the end of each day's operation.

T82:BFHL H 080483

**ENGINE OIL**



Depending upon the expected air temperature range between oil changes, use oil viscosity shown on the temperature chart above.

Additives are not required nor recommended.

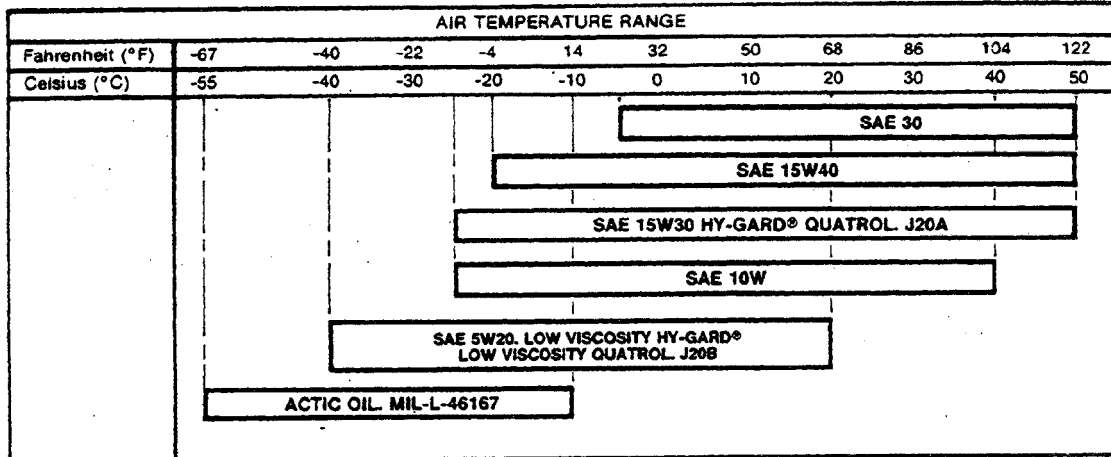
John Deere TORQ-GARD SUPREME® engine oil is recommended. If other oils are used, they must have the following minimum specifications:

Oil Specification	Use
API Service CD/SC (MIL-L-2104C)	Recommended.
API Service CC/SC* or MIL-L-46152*	For SAE 5W20, SAE 5W30 and arctic oil only, use if recommended oil is not available.
MIL-L-46167*	For arctic oil only.

\*Change oil at 100 hours, which is half the normal drain interval.

86A/T91372 T82/CRFL E 270483

**TRANSMISSION - STEERING CLUTCHES AND HYDRAULIC SYSTEM OIL**



Depending upon the expected air temperature range between oil changes, use oil viscosity shown on the temperature chart above.

The following oils are recommended:

John Deere HY-GARD® Transmission and Hydraulic Oils.

Engine oil meeting API Service CD/SC (MIL-L-2104C), CC/SC, or MIL-L-46152.

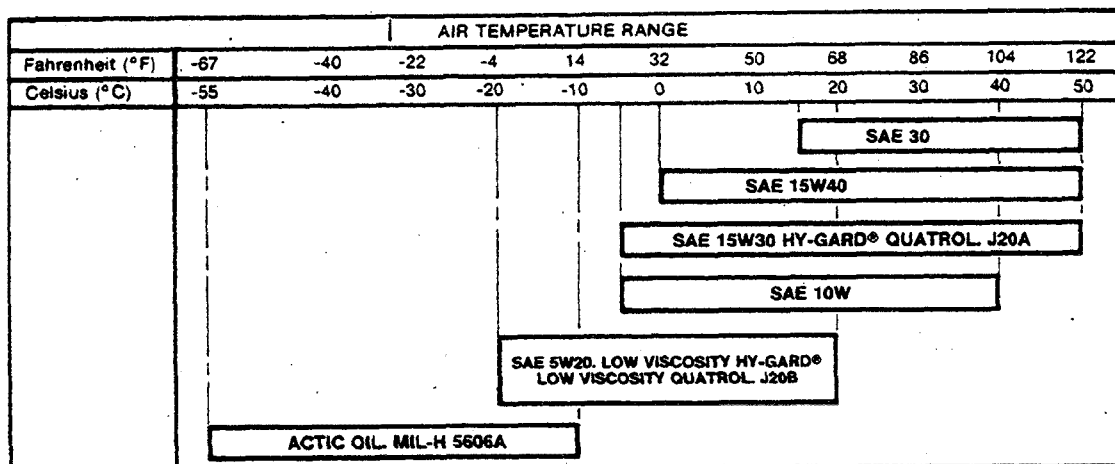
You may also use QUATROL® oils, which are oils that meet John Deere standards, or other oils meeting John Deere Standard J20A or J20B.

Oil meeting MIL-L-46167 may be used as an arctic oil.

88A/T91368 T82/CRFL A 260483



**WINCH OIL**



Depending upon the expected air temperature range between oil changes, use oil viscosity shown on the temperature chart above.

The following oils are recommended:

John Deere HY-GARD® Transmission and Hydraulic Oils.

Engine oil meeting API Service CD/SC (MIL-L-2104C), CC/SC, or MIL-L-46152.

You may also use QUATROL® oils, which are oils that meet John Deere standards, or other oils meeting John Deere Standard J20A or J20B.

Oil meeting MIL-H-5606A may be used as an arctic oil.

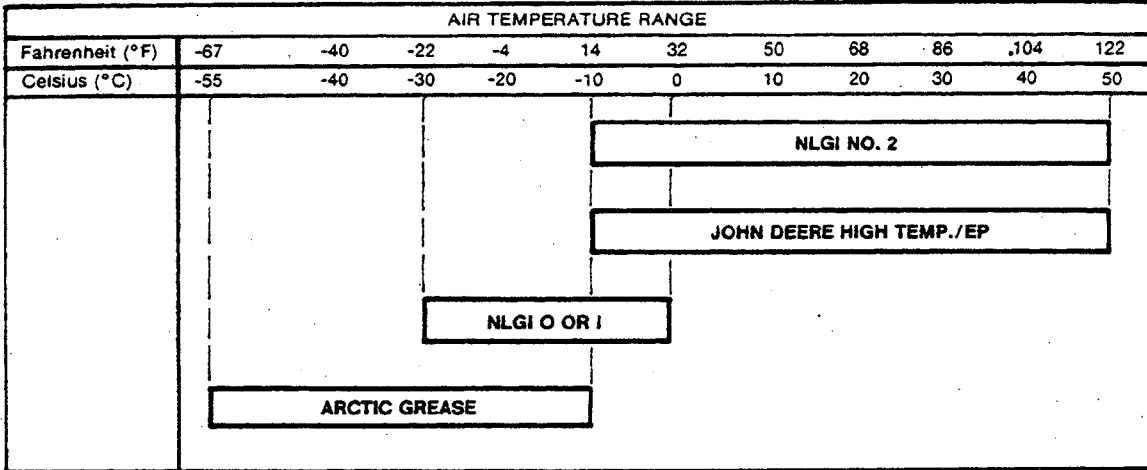
88A,T91370 T82;CRFL C 260483

**TRACK ROLLER, FRONT IDLER, AND CARRIER ROLLER OIL**

Use SAE 80W90 gear oil meeting API Service GL-5 (MIL-L-2105B or MIL-L-2105C).

T82;CRFL D 080483

**GREASE**



Depending on the expected air temperature range during use, use grease shown on chart above.

Greases recommended are:

SAE Multipurpose Grease with Extreme Pressure (EP) performance and containing 3 to 5 per cent molybdenum disulfide (preferred).

John Deere High Temperature/EP Grease.

SAE multi-purpose EP grease.

Grease meeting MIL-G-10924C specifications may be used as arctic grease.

88A;T91371 T82;CRFL F 260483

**COLD WEATHER OPERATION**

Additional information on cold weather operation is available from your John Deere Industrial Region office.

T82;TLPD U 270183

### **ALTERNATIVE LUBRICANTS**

Conditions in certain geographical areas may require special lubricants and lubrication practices which do not appear in this manual. If you have any questions, consult your John Deere Industrial Region office to obtain the latest information and recommendations.

T82;TLPD Y 270183

### **LUBRICANT STORAGE**

Your machine can operate at top efficiency only if clean lubricants are used. Use clean containers to handle all lubricants. Store them in an area protected from dust, moisture, and other contamination. Store drums on their sides.

T82;BHFL J 080483



**Suggest:**

**If the above button click is invalid.**

**Please download this document**

**first, and then click the above link**

**to download the complete manual.**

**Thank you so much for reading**

# Section 01 TRACKS

## CONTENTS

	Page		Page
<b>GROUP 130 - TRACK SYSTEMS</b>		<b>Measurements</b>	
Special Tools .....	0130-01	Link Height .....	0130-34
Other Materials .....	0130-01	Track Bushing Outer Diameter .....	0130-35
Specifications		Track Pitch .....	0130-35
Torque .....	0130-02	Grouser Bar Height .....	0130-36
Track Chain .....	0130-03	Sprocket Wear .....	0130-36
Track Chain		Front Idler Wear .....	0130-36
Remove .....	0130-03	Upper Track Carrier Roller .....	0130-37
Disassemble .....	0130-05	Track Roller .....	0130-37
Assemble .....	0130-09	Front Crossbar	
Remove Drive Sprocket .....	0130-14	Remove and Inspect .....	0130-38
Remove Track Frame .....	0130-15	Install .....	0130-38
Upper Carrier Roller Assembly		Rear Crossbar	
Remove .....	0130-15	Remove and Inspect .....	0130-39
Disassemble and Inspect .....	0130-16	Install .....	0130-39
Assemble .....	0130-17		
Front Idler Assembly			
Remove .....	0130-18		
Disassemble and Inspect .....	0130-18		
Assemble .....	0130-20		
Hydraulic Track Tension Adjuster			
Remove .....	0130-21		
Disassemble and Inspect .....	0130-22		
Assemble .....	0130-23		
Remove Track Idler Recoil Spring .....	0130-23		
Track Rollers			
Remove .....	0130-24		
Disassemble .....	0130-25		
Assemble .....	0130-25		
Inspect and Repair Track Frame .....	0130-27		
Install Track Components			
Track Rollers .....	0130-27		
Idler Recoil Spring .....	0130-28		
Hydraulic Track Tension Adjuster .....	0130-28		
Front Idler Assembly .....	0130-29		
Track Frame .....	0130-29		
Drive Sprockets .....	0130-30		
Upper Carrier Roller Assembly .....	0130-31		
Track Chain .....	0130-31		
Adjustments			
Track Chain .....	0130-32		
Align Track .....	0130-32		
Front Idler Horizontal .....	0130-33		
Front Idler Vertical .....	0130-34		

T47;0100 109 190883

**<https://www.ebooklibonline.com>**

Hello dear friend!

Thank you very much for reading.

Enter the link into your browser.

The full manual is available for immediate download.

**<https://www.ebooklibonline.com>**