

317 Hydrostatic Tractor



JOHN DEERE

TECHNICAL MANUAL

317 Hydrostatic Tractor

TM1208 (01OCT81) English

John Deere
Lawn & Grounds Care Division
TM1208 (01OCT81)

LITHO IN U.S.A.
ENGLISH



INTRODUCTION

This technical manual contains service and maintenance information for the John Deere 317 Hydrostatic Tractor.

The manual is divided into sections. Each section pertains to a certain component or operational system of the tractor. The information is divided into groups within each section.

All sections of this technical manual should be carefully studied by the service technician. Much basic information such as the principles of 4-cycle engine operation, carburetion and ignition have been omitted. Such information can be found in any good library and is recommended reading for the new service technician before consulting this manual for service procedures.

Emphasis is placed on diagnosing malfunctions, analysis and testing. Diagnosing malfunctions lists possible troubles, their causes and how to correct them. Under specific components these troubles are analyzed to help the service technician understand what is causing the problem so it can be corrected rather than just replace parts and have the same problem keep recurring.

Specifications are found at the end of each Section for easy reference.



This safety alert symbol identifies important safety messages in this manual. When you see this symbol, be alert to the possibility of personal injury and carefully read the message that follows.

Metric equivalents have been included, where applicable, throughout this technical manual.

Vertical lines appear in the margins of many of the pages. These lines identify new material and revised information that affects specifications, procedures, and other important instructions.

JOHN DEERE 317 HYDROSTATIC TRACTOR

Technical Manual
TM-1208 (Oct-81)

TABLE OF CONTENTS

SECTION 10 - GENERAL

- Group 5 - Tractor Identification
- Group 7 - Tractor and Engine Change Identification
- Group 10 - Specifications
- Group 15 - Fuel and Lubricants
- Group 20 - Tune-up and Adjustments

SECTION 20 - ENGINE - SER. NO.

(-11,025,872)

- Group 5 - General Information
- Group 10 - Cylinder Heads, Valves and Breather
- Group 15 - Engine Removal and Installation
- Group 20 - Internal Components
- Group 25 - Specifications

SECTION 22 - ENGINE - SER. NO.

(11,025,873-)

- Group 5 - General Information
- Group 10 - Cylinder Heads, Valves and Breather
- Group 15 - Engine Removal and Installation
- Group 20 - Internal Components
- Group 25 - Specifications

SECTION 30 - FUEL SYSTEM

- Group 5 - General Information
- Group 10 - Carburetor - Engine Serial No. (-11,053,429)
- Group 12 - Carburetor - Engine Serial No. (11,053,430-)
- Group 15 - Governor
- Group 20 - Fuel Tank
- Group 25 - Fuel Pump
- Group 30 - Air Cleaner - Engine Serial No. (-11,025,872)
- Group 32 - Air Cleaner - Engine Serial No. (11,025,873-11,053,429)
- Group 34 - Air Cleaner - Engine Serial No. (11,053,430-)
- Group 35 - Specifications

SECTION 40 - ELECTRICAL SYSTEM

- Group 5 - General Information
- Group 10 - Cranking System
- Group 15 - Ignition System
- Group 20 - Charging System
- Group 25 - Lights
- Group 30 - PTO Clutch

SECTION 50 - POWER TRAIN

- Group 5 - General Information
- Group 10 - Brakes
- Group 15 - Hydrostatic Transmission
- Group 20 - Hydrostatic Control Linkage
- Group 25 - Differential and Axle

SECTION 60 - HYDRAULIC SYSTEM

- Group 5 - General Information
- Group 10 - Hydraulic Circuit
- Group 15 - Hydraulic Control Valve
- Group 17 - Flow Diverter Valve
- Group 20 - Hydraulic Cylinder

SECTION 70 - MISCELLANEOUS

- Group 5 - Steering Linkage
- Group 10 - Front Wheels and Axles

SECTION 80 - SPECIAL SERVICE TOOLS

- Group 5 - Engine Essential Service Tools
- Group 10 - Engine Convenience Service Tools
- Group 15 - Tractor Convenience Service Tools

SECTION 90 - TRACTOR ATTACHMENTS

- Group 5 - 49 Snow Thrower
- Group 10 - 41 and 48 Rotary Mowers
- Group 15 - 33 Rotary Tiller
- Group 20 - 542 PTO Attachment

(All information, illustrations and specifications contained in this technical manual are based on the latest information available at the time of publication. The right is reserved to make changes at any time without notice).

OOA

Copyright © 1981 Deere & Company
Previous Editions
Copyright © 1980 Deere & Company
Copyright © 1978 Deere & Company

<https://www.ebooklibonline.com>

Hello dear friend!

Thank you very much for reading.

Enter the link into your browser.

The full manual is available for immediate download.

<https://www.ebooklibonline.com>

Section 10 GENERAL

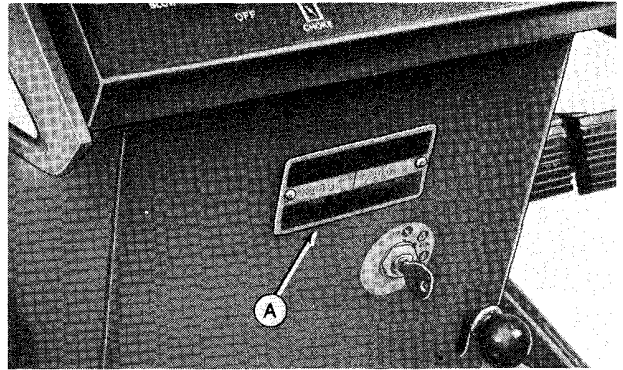
TABLE OF CONTENTS

	Page		Page
GROUP 05 - TRACTOR IDENTIFICATION		GROUP 15 - FUELS AND LUBRICANTS	
Tractor Serial Number	5-01	Fuel	15-01
Engine Serial Number	5-01	Choose Proper Engine Oil	15-02
Transmission Serial Number	5-01	Choose Proper Hydraulic Oil	15-02
GROUP 07 - TRACTOR AND ENGINE CHANGE IDENTIFICATION		Choose Proper Grease	15-03
General	7-01	Capacities	15-03
Tractor Serial No. (-156,000)	7-01	Service Intervals	15-04
Tractor Serial No. (156,001-160,062)	7-04	Check Transmission Fluid Level	15-04
Tractor Serial No. (160,063-)	7-05	Change Transmission Fluid and Filter	15-05
GROUP 10 - SPECIFICATIONS		Check Engine Oil Level	15-05
Tractor Specifications	10-01	Change Engine Oil	15-06
Bolt Torque Chart	10-02	Lubricate Linkage	15-07
Set Screw Seating Torque Chart	10-02	GROUP 20 - TUNE-UP AND ADJUSTMENTS	
		General	20-01
		Engine Tune-up	20-01
		Tractor Adjustment	20-02

Group 05
TRACTOR IDENTIFICATION

TRACTOR SERIAL NUMBER

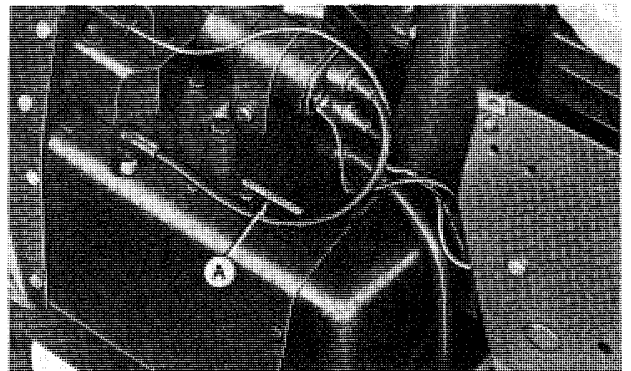
The tractor serial number plate (A) is located on the pedestal just above the key switch.



M29353/1208/1005B/080781

ENGINE SERIAL NUMBER

The engine serial number plate (A) is located on top of the blower housing.



M29354/1208/1005C/080781

TRANSMISSION SERIAL NUMBER

The transmission serial number (A) is located above the oil filter on the front of the transmission.



M29355/1208/1005D/080781

Group 07 CHANGE IDENTIFICATION

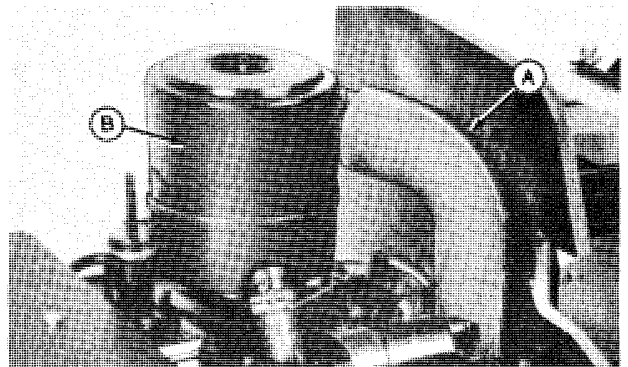
GENERAL

The material in this group will aid in identifying the machine by serial number. This information will assist in using the proper Section or Group when performing service on the machine. Tractor Serial Numbers (-156,000) are identified by Engine Serial Number.

1208/1007A/080781

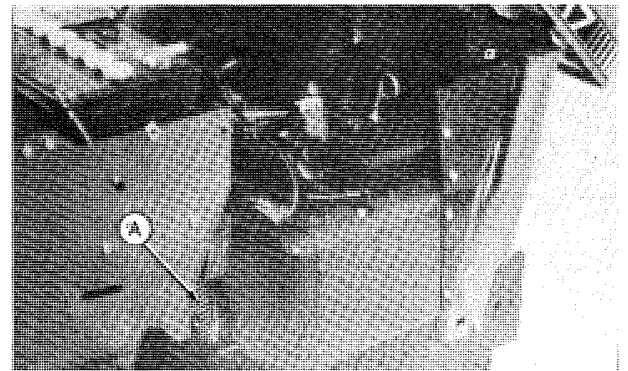
TRACTOR SERIAL NO. (-156,000)
ENGINE SERIAL NO. (-10,135,763)

1. Engines in this Serial No. range can be identified by use of an air intake hose (A) on air canister (B).



M2902B/1208/1007B/080781

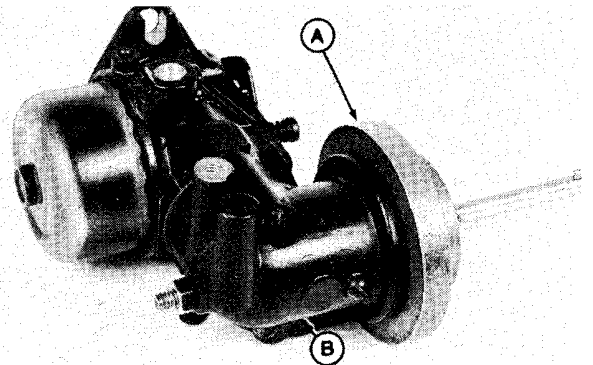
2. Engines in this serial no. range used a flywheel screen (A).



M29029/1208/1007C/080781

3. Some engines in this Serial No. range may have been modified to include a carburetor adapter (A) mounted on elbow (B).

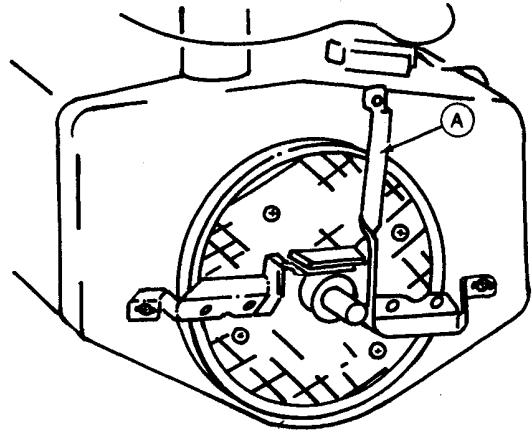
NOTE: Some adapters are a permanent part of elbow (B) while other adapters are loose with a gasket between adapter (A) and elbow (B).



M28631/1208/1007D/080781

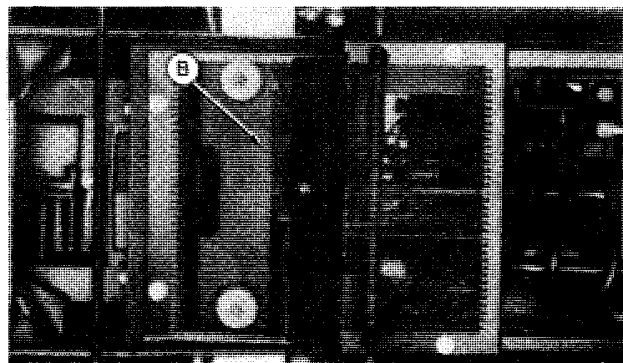
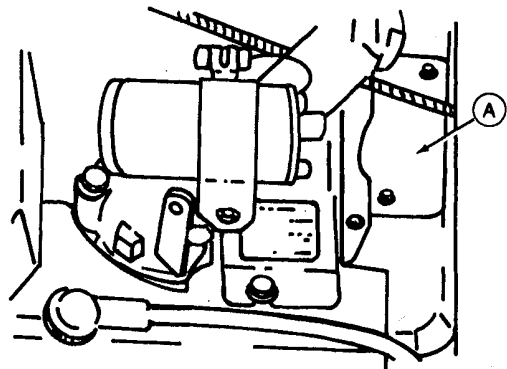
Change Identification

4. Some engines in this Serial No. range may have been modified to include a flywheel scraper (A).



M29030/1208/1007E/080781

5. Because the flywheel screen and scraper are no longer available, some engines in this Serial No. range may have had the flywheel screen, flywheel scraper and air intake hose removed. In this case the engine can be identified by the use of engine shroud cover (A) where the air intake hose went into the engine shroud. The tractor then uses bottom screen (B) to replace the flywheel screen.

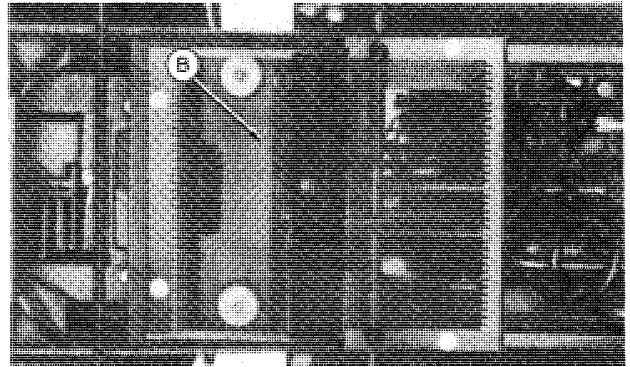


M29031/M29032/1208/1007F/080781

Change Identification

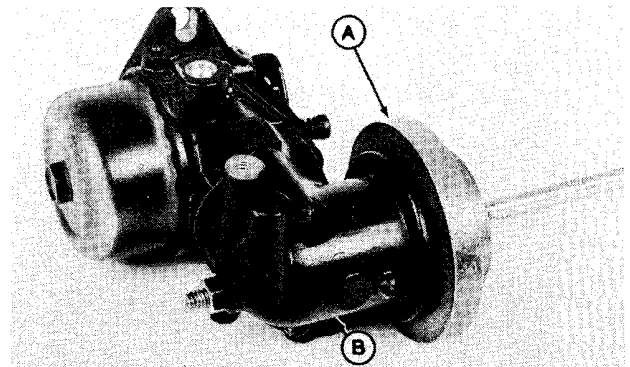
TRACTOR SERIAL NO. (-156,000)
ENGINE SERIAL NO. (10,135,763-11,052,801)

1. Engines in this Serial No. range are replacement engines. They use bottom screen (B).



M29032/1208/1007G/080781

2. Engines in this Serial No. range used carburetor adapter (A) permanently fixed to elbow (B).



M28831/1208/1007H/080781

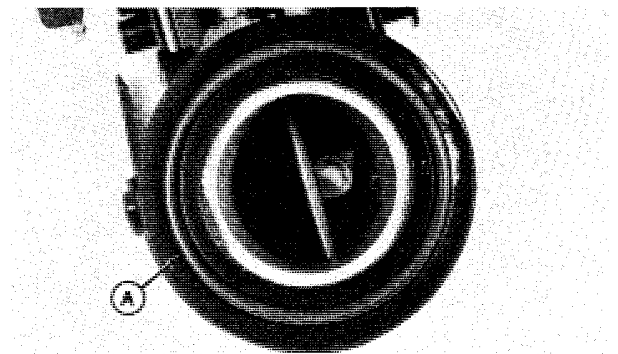
3. Engines in this Serial No. range can be further identified by the lack of a hole in the engine shroud where the air intake hose used to go.



M29033/1208/1007I/080781

TRACTOR SERIAL NO. (-156,000)
ENGINE SERIAL NO. (11,052,802-)

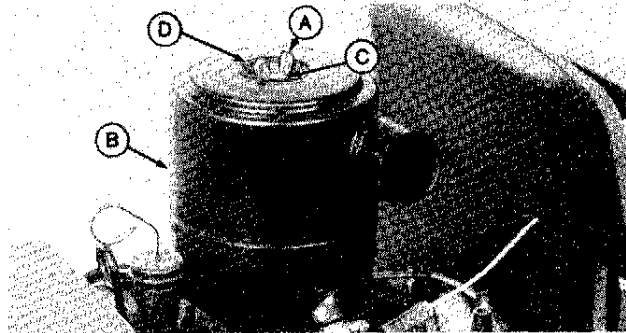
1. These engines can be identified by the use of O-ring (A) in carburetor elbow. This elbow is a one piece adapter and elbow.



M28845/1208/1007J/080781

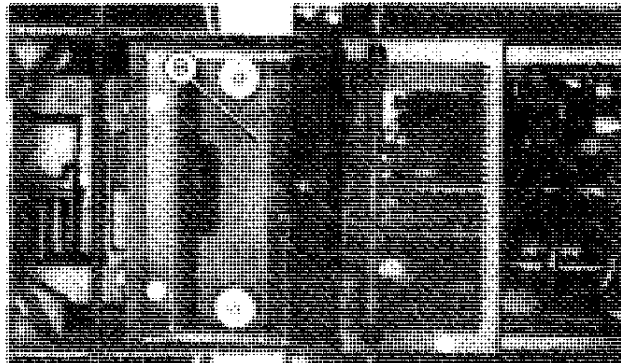
Change Identification

2. The air cleaner assembly (B) uses wing nut (A) washer (C) and sealing washer (D).



M28749/1208/1007K/080781

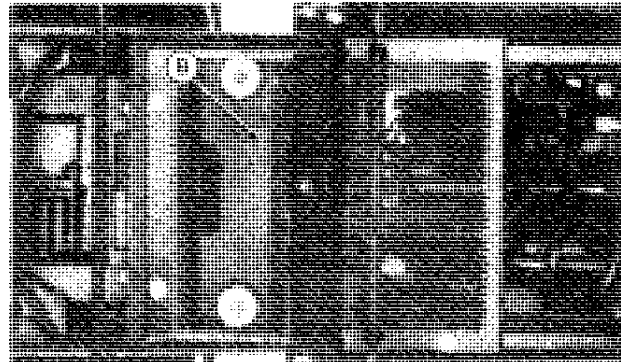
3. The tractor is equipped with bottom screen (B).



M28831/1208/1007N/080781

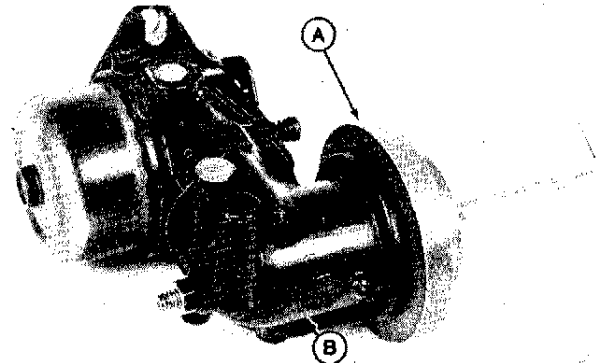
TRACTOR SERIAL NO. (156,001-160,062)

1. Tractors in this Serial No. range use bottom screen (B).



M28831/1208/1007N/080781

2. The carburetors used adapter (A) permanently fixed to elbow (B).



M28831/1208/1007N/080781

Change Identification

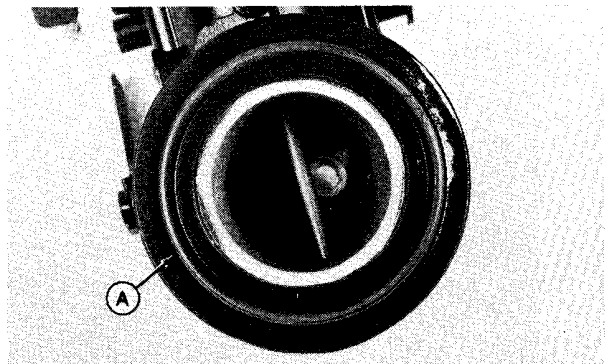
3. The engine shroud does not have a hole in it where the air intake hose used to go.



M29033/1208/1007O/080781

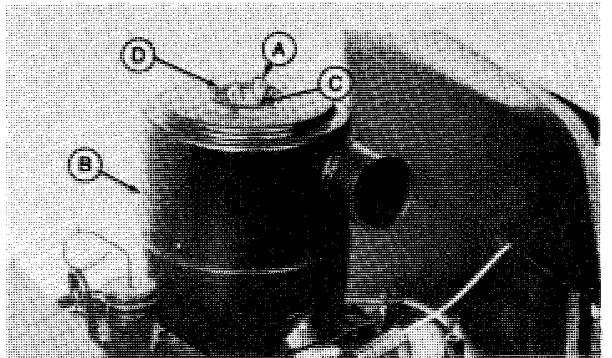
TRACTOR SERIAL NO. (160,063-)

1. Tractors in this Serial No. range use O-ring (A) in carburetor elbow. The elbow is a one piece adapter and elbow.



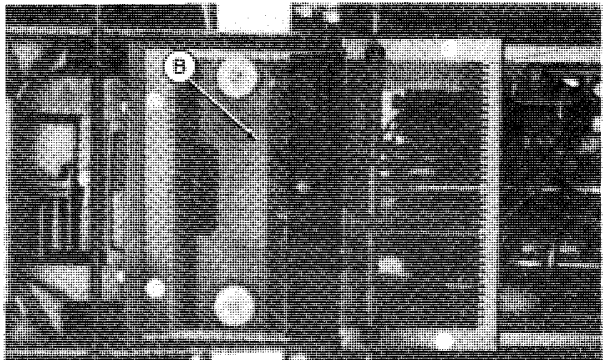
M28845/1208/1007P/080781

2. Air cleaner assembly (B) uses wing nut (A), washer (C) and sealing washer (D).



M28749/1208/1007O/080781

3. The tractor is equipped with bottom screen (B).



M29032/1208/1007R/080781

TRACTOR SPECIFICATIONS

Engine

Engine Model Number KT17QS
 Manufacturer Kohler
 Cylinder Two
 Cycle Four
 Bore 3-1/8 in. (7.9 cm)
 Stroke 2-3/4 in. (7.0 cm)
 Displacement 42.18 cu. in. (691.4 cc)
 Horsepower* 17 (12.58 kW)
Speeds
 Idle 1200 rpm
 High (No load) 3400 to 3600 rpm

**Horsepower rating is established by engine manufacturer in accordance with Standard International Combustion Institute procedure. It is corrected to 60°F and 29.92 hg barometer. Laboratory test engines are equipped with air cleaner and muffler.*

Electrical System

Battery, John Deere
 (AM31186) Category II, 12-Volt BCI
 Group 22F, 260 cold cranking amps
 at 0°F (17.7°C), 50 minute reserve
 capacity at 25 amps
 Charging Capacity 15 amps
 System Polarity Negative Ground
 Starter 12-Volt Motor, Key and Solenoid
 Ignition Battery-Coil
 Spark Plug** Champion RBL15Y
 or equivalent
 Spark Plug Gap0.025 in. (0.64 mm)
 Breaker Point Gap0.020 in. (0.508 mm)
 Timing Index

Power Train

Hydrostatic Transmission
 Sundstrand 15 Series (U-Type)
 Differential Dana
 Brakes Individual Rear Wheel (Drum-Type)

***In Canada, compliance with radio interference regulations certified. Replace spark plug with resistor type spark plug only.*

Travel Speeds

Forward Variable 0.5 to 6.5 mph
 (0.8 km/h to 10.5 km/h)
 Reverse Variable 0.5 to 3.5 mph
 (0.8 km/h to 5.6 km/h)

Hydraulics

Control Valve 2-Spool (open-center)
 Outlets 2 Sets (front)
 Rockshaft Mid-mounted

Tire Size

Front 16 x 6.50-8 High-Flotation
 Rear 23 x 10.50-12 High-Flotation

Tire Inflation*

Front 6 to 16 psi (41 to 110 kPa)
 Rear 5 to 10 psi (34 to 69 kPa)

Wheel Tread (Center of Tires)

Front 31-1/4 in. (803.75 mm)
 Rear (wheels in) 30-1/2 in. (774.70 mm)
 Rear (wheels out) 33 in. (838.20 mm)

Dimensions

Wheelbase 46 in. (1.168 m)
 Over-all Length 69 in. (1.753 m)
 Over-all Height 44 in. (1.118 m)
 Over-all Width (Max.) 42 in. (1.079 m)

Approximate Curb Weight 760 lbs. (344.5 kg)

**Inflation will vary with attachment used.*

SERVICE INTERVALS

Crankcase (Oil Change)

Break-in After first 5 hours

Regular Every 25 hours

Dusty Conditions Every 8 hours

Transmission

Oil Change 500 hours or 2 years

Oil Filter Change 100 hours

NOTE: Oil filter is positioned under transmission. Fill new filter with oil prior to installing it to prevent an air lock in the system.

Tractor Grease Fittings Every 25 hours

120B/1015F/090781

CHECK TRANSMISSION FLUID LEVEL

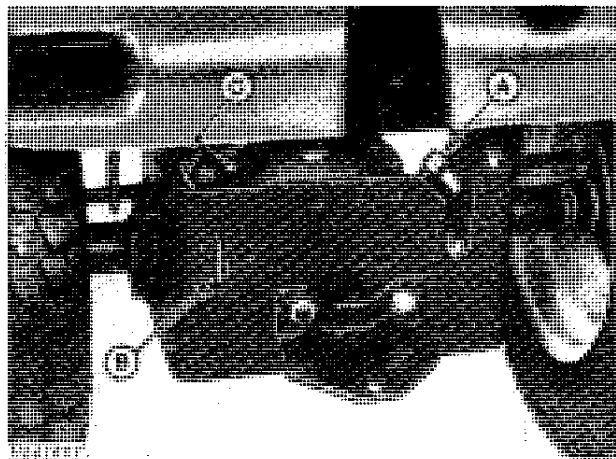
NOTE: DO NOT run tractor engine when checking or adding fluid.

Fluid level in sight tube (B) should be 1/4 to 1-1/4-inches (5 to 30 mm) above bottom of slot in frame when tractor engine is stopped.

IMPORTANT: The 1/16-inch diameter hole in outside wall of accumulator-vent (C) must be positioned at an upward angle to prevent fluid leakage and insure proper venting.

If fluid level is low, remove fill tube cap (A) and add necessary amount of fluid until it is 1/4 to 1-1/4 inches (5 to 30 mm) above bottom of slot in frame.

IMPORTANT: Do not overfill.



M2c166/120B/1015C/090781

FUEL



CAUTION: Do not fill gas tank when engine is running or hot. Do not smoke when filling gas tank.

Wipe dust and dirt from around filler cap (A) before removing it. Place cap in a clean area.

IMPORTANT: Do not permit dirt or other foreign matter to enter the fuel system. This may cause hard starting, poor performance and engine damage. Always use clean gasoline storage cans and funnels.

Fill the gas tank with fresh, clean "regular" grade gasoline. We recommend non-leaded gasoline because it reduces cylinder head deposits. Low-lead or leaded "regular" grades are acceptable.

DO NOT use premium, ethyl or white gasoline.

The use of gasohol is not recommended.

Never use special additives such as carburetor cleaners, de-icers, or moisture-removing liquids in your gasoline.

IMPORTANT: Do not mix oil with gasoline.



M29356/1015A/090781

TORQUE CHARTS

Bolt Torque Chart

**AVERAGE TIGHTENING TORQUE FOR BOLTS
(BASED ON 85% OF YIELD)**

BOLT SIZE	A17B			A17D			A17F		
	lb-in	lb-ft	Nm	lb-in	lb-ft	Nm	lb-in	lb-ft	Nm
1/4	72	6	8	120	10	13.5	168	14	19
5/16	156	13	17.6	240	20	27	360	30	40.7
3/8	276	23	31.2	420	35	47.5	600	50	67.8
7/16	420	35	47.5	660	55	74.6	960	80	108.5
1/2	660	55	74.6	1020	85	115.2	1440	120	162.7
9/16	900	75	101.7	1560	130	176.3	2100	175	237.3
5/8	1260	105	142.4	2040	170	230.5	2880	240	325.4
3/4	2220	185	250.8	3600	300	406.7	5100	425	576.2
7/8	1920	160	216.9	5340	445	603.3	8220	685	928.7
1	3000	250	339	8040	670	908.4	12360	1030	1396.5
1-1/8	3960	330	447.4	10920	910	1233.8	17520	1460	1979.5
1-1/4	5760	480	650.8	15000	1250	1694.8	24720	2060	2793

B grade bolts larger than 3/4 are sometimes formed hot rather than cold, which accounts for the lower mean tightening torque.

Set Screw Seating Torque Charts

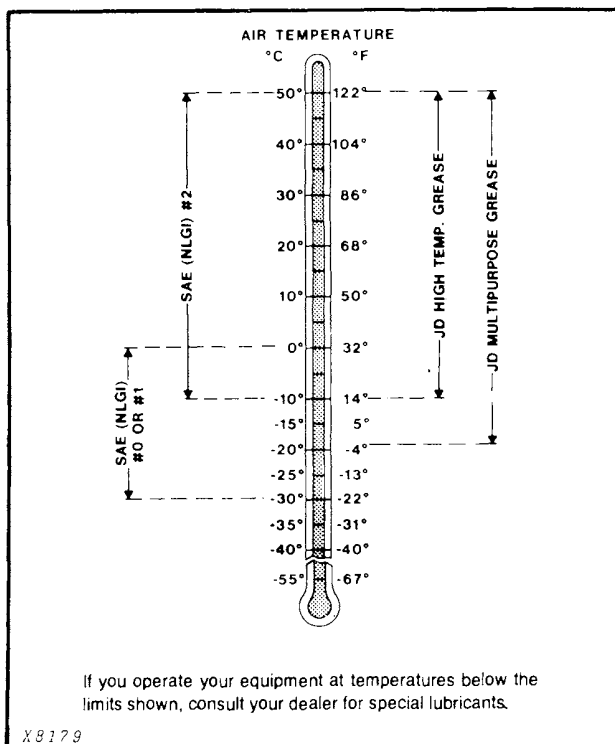
Screw Size	Seating Torque	
	Inch-Pounds	Newton Meters (Nm)
#5	9	1.0
#6	9	1.0
#8	20	2.3
#10	33	3.7
1/4	87	9.8
5/16	165	18.6
3/8	290	32.8
7/16	430	48.6
1/2	620	70.1
9/16	620	70.1
5/8	1225	138.4
3/4	2125	240.1

1208/10-10B/080781

CHOOSE PROPER GREASE

John Deere Multipurpose Grease is recommended in all grease fittings. If other greases are used, use SAE Multipurpose Grease containing 3 to 5 percent molybdenum disulfide.

Use grease as shown in temperature chart.



X8179/1208/1015D/090781

CAPACITIES

- Fuel Tank 4-1/2 U.S. gal. (17.034 L)
- Crankcase 3-1/2 U.S. pt. (1.65 L)
- Transmission 5 U.S. qt. (4.731 L)

1208/1015E/090781

CHOOSE PROPER ENGINE OIL

This machine has been filled at the factory with break-in oil that can be used only between 32°F (0°C) and 75°F (24°C).

For first 5 hours of operation, use only the oils listed below:

- Below 32°F (0°C) — Drain break-in oil before using. Fill with SAE 5W-20.
- 32°F (0°C) to 75°F (24°C) — Use break-in oil.
- Above 75°F (24°C) — Drain break-in oil before using. Fill with SAE 30.

After the first 5 hours of break-in operation, drain the engine crankcase and refill with fresh oil.

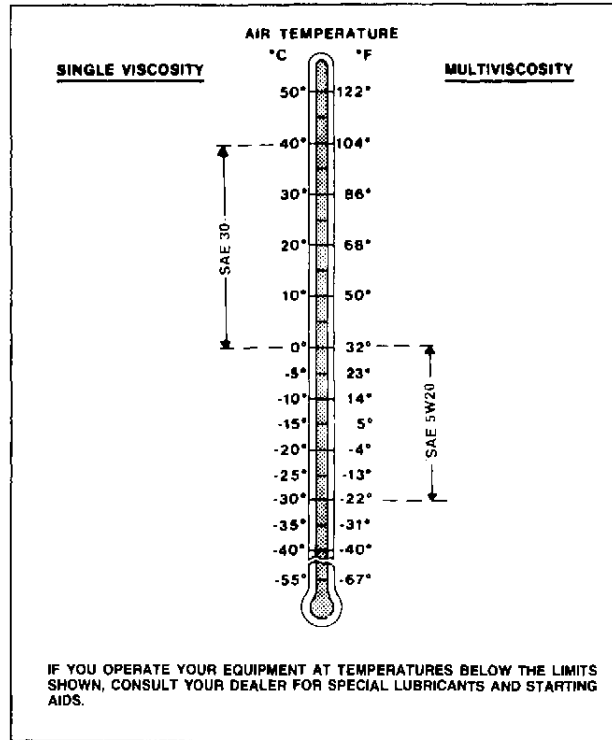
Use John Deere TORQ-GARD SUPREME® engine oil for use in the engine crankcase. TORQ-GARD SUPREME oil was formulated to provide all the protection your engine needs, so never put additives in the crankcase.

If oil other than TORQ-GARD SUPREME is used, it must conform to one of the following specifications:

API Service Classification CC-SC-SD-SE-SF

Depending upon the expected prevailing temperature for the fill period, use oil of viscosity as shown.

Some increase in oil consumption may be expected when SAE 5W-20 is used. Check oil level frequently.



M27560/1208/1015B/090781

CHOOSE PROPER HYDRAULIC OIL

Use John Deere All-Weather Hydrostatic Fluid, John Deere HY-GARD® Transmission and Hydraulic Oil, or an equivalent Type "F" Automotive Automatic Transmission Fluid.

1208/1015C/090781

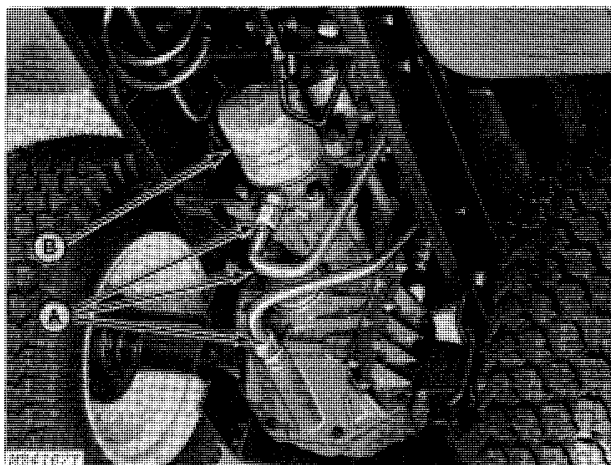
CHANGE TRANSMISSION FLUID AND FILTER

IMPORTANT: Be extremely careful to prevent dirt from entering hydraulic system. Clean dust and dirt from edges of filter (B) from around fill tube cap, and transmission-to-axle cooling tube (A) before removing them.

1. Remove transmission-to-axle cooling tube (A).
2. Allow all fluid to drain into a container.
3. Reinstall transmission-to-axle cooling tube (A).
4. Remove filter (B). Fill a new filter half-full of transmission fluid. Moisten rubber filter gasket with fluid. Install filter finger-tight only.
5. Fill transmission with John Deere All-Weather Hydrostatic Fluid, John Deere HY-GARD® Transmission and Hydraulic Oil, or an equivalent Type "F" Automotive Automatic Transmission Fluid.
6. Transmission capacity is 5 U.S. quarts (4.731 L). Pour in only 3 quarts (2.839 L). Check transmission fluid level as explained earlier before adding more fluid. Fill transmission to proper level.

IMPORTANT: After changing fluid and filter and before operating hydrostatic control lever, start engine and move inner hydraulic control lever and move inner hydraulic control lever back and forth several times. Observe that lift system is operating before moving hydrostatic control lever. This insures that the entire system is filled. Do not overfill.

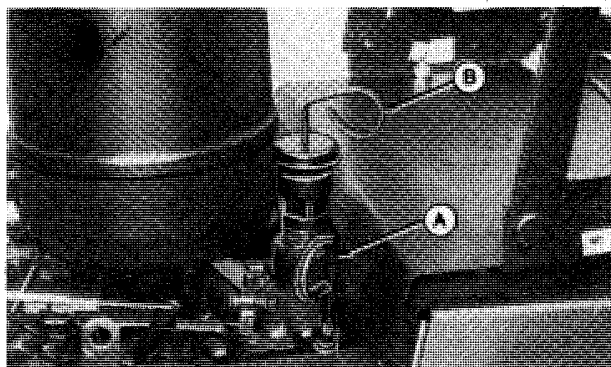
Stop engine and recheck fluid level. Add fluid if necessary to bring level up to midpoint of slot in frame.



M24167/1208/1015H/090781

CHECK ENGINE OIL LEVEL

1. Park tractor on a level surface.
2. Stop engine and raise hood.
3. Wipe dust and dirt from around dipstick (A).
4. Remove dipstick and wipe it off with a clean rag. Reinsert dipstick and push it down tight. Remove dipstick and check that oil level is up to "F" mark. If oil level is low, remove fill tube cap (B) and add necessary amount of oil to bring level up to "F" mark on dipstick.



M28257/1208/1015H/090781

CHANGE ENGINE OIL

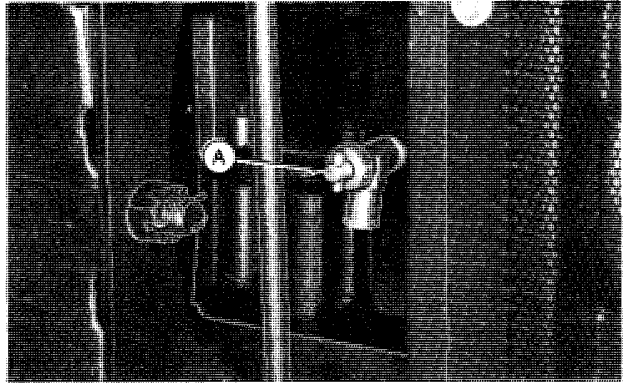
IMPORTANT: Always drain crankcase oil when it is hot and all dirt and foreign material is in suspension.

1. Turn oil drain valve (A) counterclockwise to open. Drain oil into a container.

IMPORTANT: Use a pliers to loosen or open valve. When closing valve after oil has drained, **DO NOT** use a pliers to tighten. Hand-tighten only. Otherwise, valve may be damaged.

2. Close valve (A) (clockwise) after oil has completely drained.

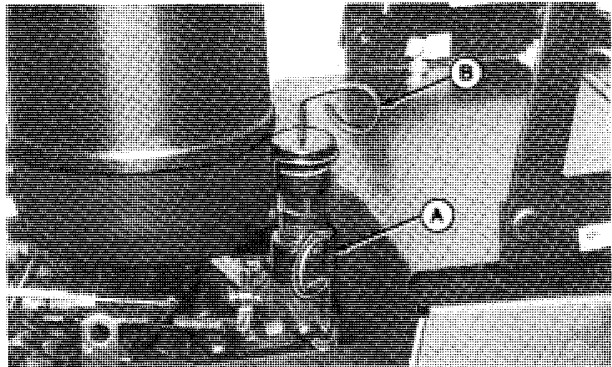
NOTE: For convenience, a suitable length of 5/8-inch (15.88 mm) garden hose or plastic tubing can be installed over drain valve spout to allow oil to drain away from tractor.



M28767/1208/1015J/090781

3. Remove fill tube cap (B) and add approximately 3 pints (1.42 L) oil of the proper viscosity. See chart for recommended oil. Remove dipstick (A) and wipe it off with a clean rag. Reinsert dipstick and push it down tight. Remove dipstick and check to be sure oil level is up to the "F" mark on dipstick. The oil level should never be over the "F" mark on dipstick. Overfilling can cause engine overheating resulting in loss of power and permanent engine damage. Add only the necessary amount of oil to bring level up to "F" mark on dipstick when it is installed and pushed down tight.

4. Reinstall fill tube cap (B) and dipstick (A) after oil is added to crankcase and checked.



M28257/1208/1015K/090781

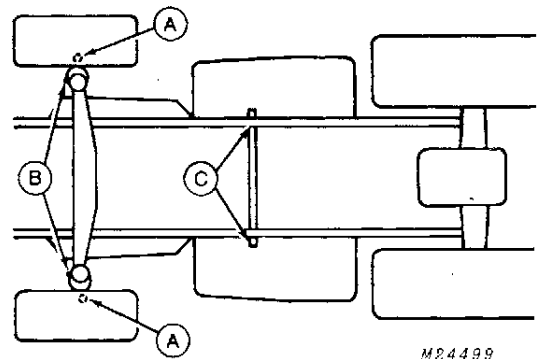
LUBRICATE LINKAGE

Lubricate fittings using a hand grease gun. Wiper fittings clean before and after lubrication.

Excessive steering wheel play or difficult movement of the front axle may be the result of mis-adjustment. If this occurs, adjust axle pivot plates and bolt as explained in Section 70.

Grease fittings are located as follows:

Ref.	Qty.	Location
(A)	2	Front Wheel Hubs
(B)	2	Front Axle Spindles
(C)	2	Brake Pedal Shaft



M24499/1208/1015L/090781

GENERAL

This group is intended to provide a service procedure for tractors that are running well. Minor repairs and adjustments made in an orderly fashion will improve the efficiency and operation of the tractor.

1208/1020A/090781

ENGINE TUNE-UP

Engine tune-up involves checking, servicing and adjusting engine components - including the ignition system, air intake system, fuel and lubrication systems.

*Perform engine tune-up in the following order:

1. Clean engine and cooling system.
2. Service air cleaner.
3. Check compression.
4. Check and adjust breaker points.
5. Check spark plugs.
6. Check and adjust timing.
7. Test crankcase vacuum.
8. Clean crankcase breather.
9. Adjust carburetor.
10. Clean and service battery.
11. Change crankcase oil.
12. Clean bottom screen (if equipped)
13. Reinstall hood, grille and side panels.

**Engine tune-up procedures are shown starting on page 10-20-2.*

1208/1020B/090781

TRACTOR ADJUSTMENT

Tractor adjustments are made to assure that engine horsepower will be utilized in the most efficient manner. A thorough visual inspection of the complete tractor, as you make the adjustments, will help in determining any extra service required on the tractor.

*Perform tractor adjustment in the following order:

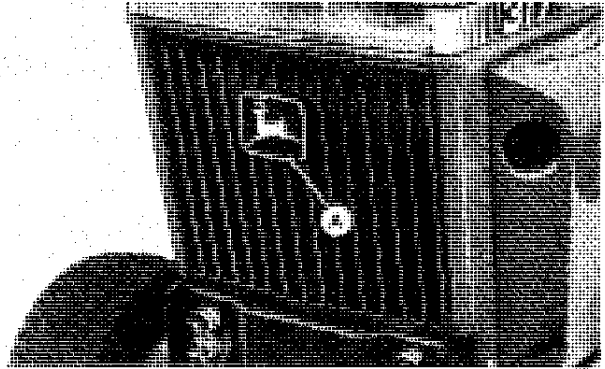
1. Check transmission fluid.
2. Lubricate linkage.
3. Check brake adjustment.
4. Adjust hydrostatic linkage.
5. Check hydrostatic control lever brake adjustment.
6. Check hydraulic system charge pressure.
7. Check implement relief valve pressure.
8. Adjust steering gear.
9. Adjust steering backlash.
10. Adjust front wheel toe-in.
11. Adjust front axle pivot.
12. Adjust turning radius.
13. Clean fuel strainer.
14. Check wiring.
15. Check belts and equipment.
16. Check tire pressure.

*Tractor adjustment procedures are shown starting on page 10-20-16.

1208/1020C/090781

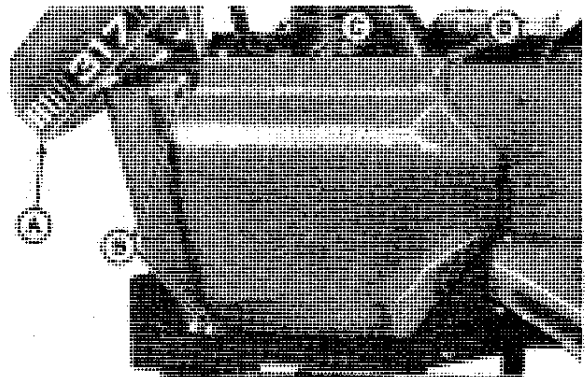
CLEAN ENGINE AND COOLING SYSTEM

1. Remove grill by placing hand under emblem (A) and pulling outward.



M28/46/1208/1020D/090781

2. Raise hood (A).
3. Remove three cap screws (B) and side panel (C) from both sides of tractor.



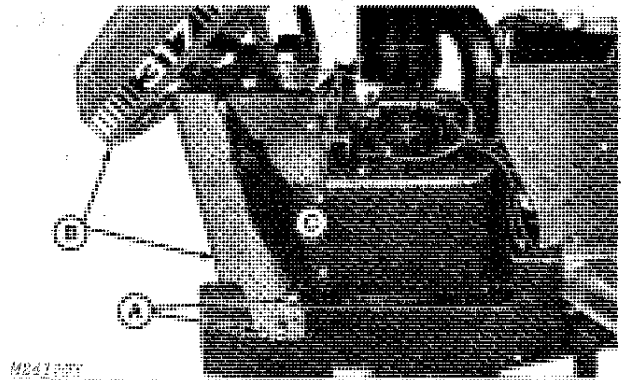
M24168/1208/1020F/100781

Tune-Up and Adjustments

4. Disconnect headlight wiring coupler (C).

NOTE: On some model 317 Tractors, the wiring harness is clipped to the air cleaner. On these tractors, disconnect wiring harness from air cleaner.

5. Remove four spinlock screws (A—two each side).
6. Remove hood and cowl assembly (B).



7. Clean engine with compressed air before removing front shroud and loosening side shrouds. After cleaning engine, remove cap screws (A). Remove spark plugs (E). Plug spark plug holes with rags.

8. Remove front shroud (B) and spring side shrouds (C) slightly outward for access to engine cooling fins.

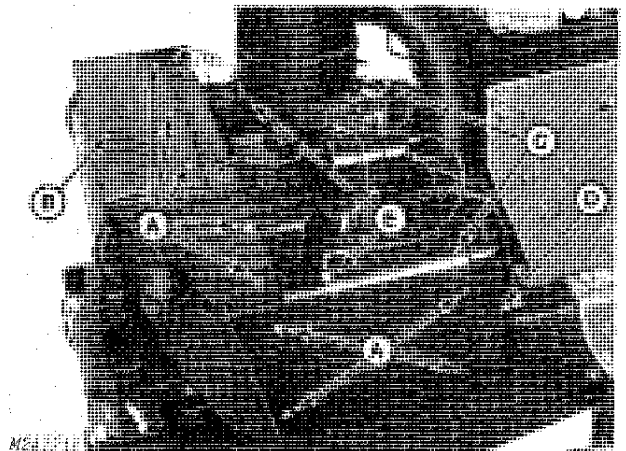
NOTE: Some Model 317 Tractors are equipped with two-piece side shrouds. On these tractors, remove the top part of shroud only for access to cooling fins.

9. Blow grass and foreign material off shrouds and engine cooling fins. Clean air intake screen (D) on rear of engine. Reinstall shrouds (B and C) after engine is cleaned.

NOTE: On engine Serial No. (10,135,763-) air intake screen (D) is not used.

A—Cap Screws
B—Front Shroud

C—Side Shrouds
D—Air Intake Screen
E—Spark Plugs



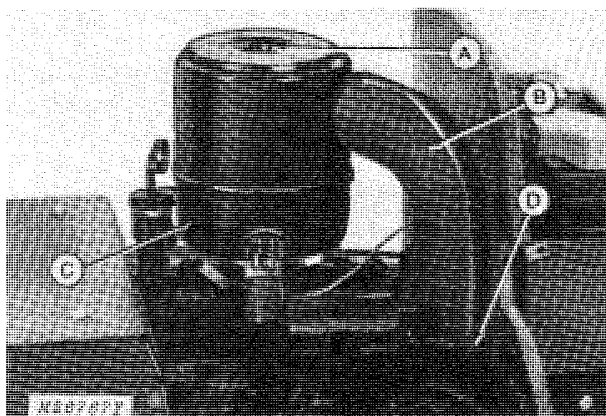
SERVICE AIR CLEANER - ENGINE SERIAL NO. (-10,135,763)

NOTE: On some model 317 Tractors, disconnect wiring harness from air cleaner.

1. Remove wing nut (A).
2. Slip intake hose (B) off canister and remove from air intake shroud (D).

NOTE: On some tractors, intake hose (B) may have been removed and a cover plate put in air intake shroud (D) where hose went in.

3. Remove air cleaner assembly (C).



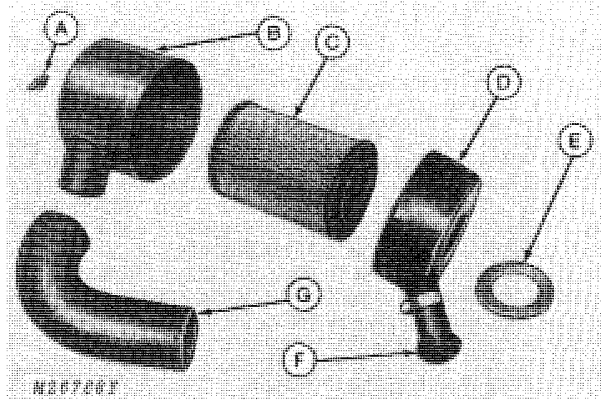
M26767/1208/1020H/100781

4. Pull cover (B) and base (D) apart. Remove element (C).
5. Tape element (C) lightly against a flat surface to shake out dust. Use a soft brush to remove foreign particles.

IMPORTANT: Never use a liquid cleaner or compressed air to clean element (C). Replace element if damaged or extremely dirty.

6. Wipe dust and dirt from cover (B) and base (D). Inspect gasket (E), dump valve (F) and intake hose (G) for cracks or deterioration. Replace parts as necessary.

IMPORTANT: When replacing air cleaner assembly, be sure dump valve (F) is positioned so it does not touch intake manifold. Otherwise, it may become burned and damaged. If equipped, be sure intake hose (G) is secured tightly to cover (B) and air intake shroud (D) or damage to engine may occur from excessive dust and dirt entering and plugging air cleaner.



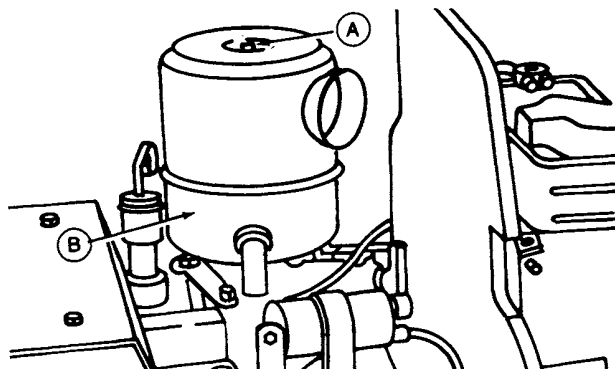
A—Wing Nut
B—Cover
C—Element
D—Base

E—Gasket
F—Dump Valve
G—Intake Hose

M26768/1208/1020I/100781

SERVICE AIR CLEANER - ENGINE SERIAL NO. (10,135,764-11,052,801)

1. Remove wing nut (A).
2. Remove air cleaner assembly (B) and gasket under air cleaner base.



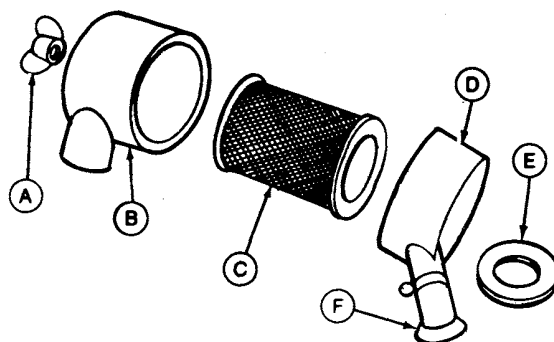
M28852/1208/1020J/100781

3. Pull cover (B) and base (D) apart. Remove element (C).
4. Tap element (C) lightly against a flat surface to shake out dust. Use a soft brush to remove foreign particles.

IMPORTANT: Never use a liquid cleaner or compressed air to clean element (C). Replace element if damaged or extremely dirty.

5. Wipe dust and dirt from cover (B) and base (D). Inspect gasket (E), and dump valve (F) for cracks or deterioration. Replace parts as necessary.

IMPORTANT: When replacing air cleaner assembly, be sure dump valve (F) is positioned so it does not touch intake manifold. Otherwise, it may become burned and damaged.

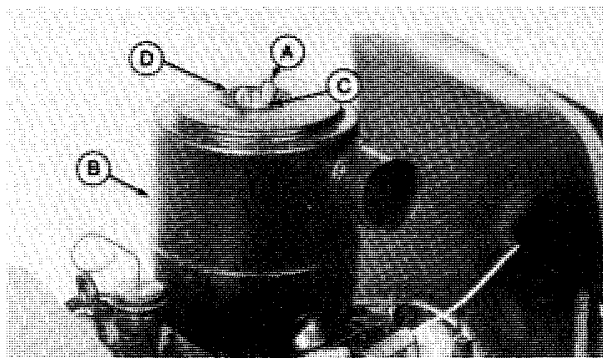


A—Wing Nut
B—Cover
C—Element
D—Base
E—Gasket
F—Dump Valve

M28853/1208/1020K/100781

SERVICE AIR CLEANER - ENGINE SERIAL NO. (11,052,802-)

1. Remove wing nut (A), washer (C) and sealing washer (D).
2. Remove air cleaner assembly (B).



M28749/1208/1020L/100781



Suggest:

If the above button click is invalid.

Please download this document

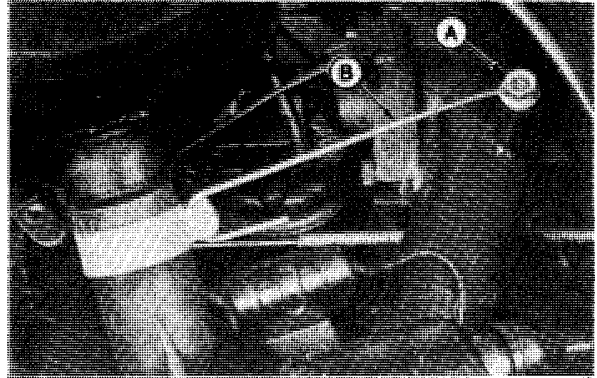
first, and then click the above link

to download the complete manual.

Thank you so much for reading

Tune-Up and Adjustments

3. On later model tractors, remove cap screw (A) from clamp (B) then remove air cleaner.



M28750/1208/1020M/100781

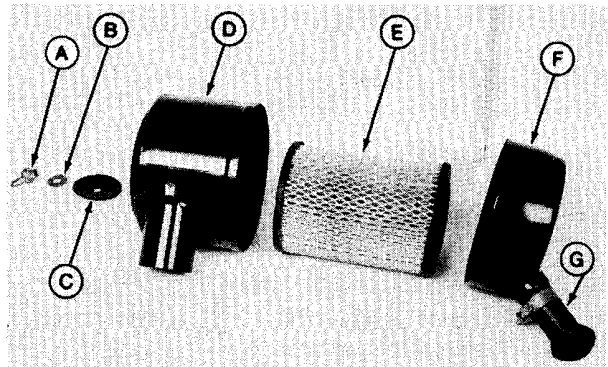
4. Pull cover (D) and base (F) apart. Remove element (E).
5. Tap element (E) lightly against a flat surface to shake out dust. Use a soft brush to remove foreign material. Wipe dust from cover (D) and base (F).

IMPORTANT: Never use a liquid cleaner or compressed air to clean element (E). Replace element if damaged or extremely dirty.

6. Check dump valve (G) and sealing washer (C) for cracks or deterioration. Replace parts as needed.

7. Check carburetor elbow O-ring. See Section 30, Group 12. Replace if cracked or deteriorated.

IMPORTANT: Position dump valve (G) on air cleaner base, so it does not touch the intake manifold or governor linkage. Securely tighten wing nut (A) to prevent air cleaner from turning.

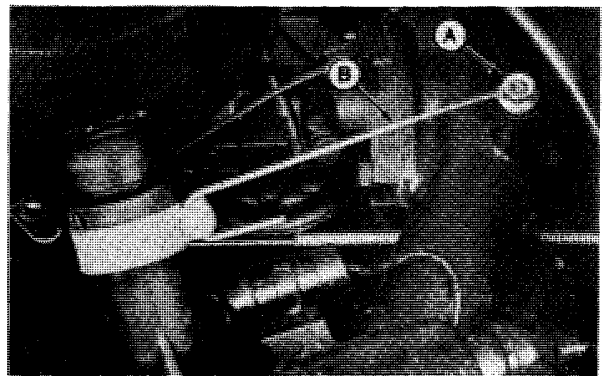


A—Wing Nut
B—Washer
C—Sealing Washer
D—Cover

E—Element
F—Base
G—Dump Valve

M28855/1208/1020N/100781

8. On some tractors, hook clamp (B) in dump valve clamp. Install cap screw (A).



M28750/1208/1020O/100781

<https://www.ebooklibonline.com>

Hello dear friend!

Thank you very much for reading.

Enter the link into your browser.

The full manual is available for immediate download.

<https://www.ebooklibonline.com>