

JOHN DEERE
WORLDWIDE COMMERCIAL & CONSUMER
EQUIPMENT DIVISION

Backhoe
260

SN (010001-)

OMLVU21330 E9

OPERATOR'S MANUAL



JOHN DEERE

All information, illustrations and specifications in this manual are based on the latest information at the time of publication. The right is reserved to make changes at any time without notice.

COPYRIGHT© 2009
Deere & Co.

John Deere Worldwide Commercial and Consumer Equipment Division

All rights reserved
Previous Editions
COPYRIGHT© 2006

North American Version
Litho in U.S.A.

INTRODUCTION

Introduction

Using Your Operator's Manual

Read this entire operator's manual, especially the safety information, before operating.

This manual is an important part of your machine. Keep all manuals in a convenient location so they can be accessed easily.

Use the safety and operating information in the attachment operator's manual, along with the machine operator's manual, to operate and service the attachment safely and correctly.

If your attachment manual has a section called Preparing the Machine, it means that you will have to do something to your tractor or vehicle before you can install the attachment. The Assembly and Installation sections of this manual provide information to assemble and install the attachment to your tractor or vehicle. Use the Service section to make any needed adjustments and routine service to your attachment.

If you have any questions or concerns with the assembly, installation, or operation of this attachment, see your local John Deere dealer or call the John Deere Customer Contact Center at 1-800-537-8233 for assistance.

Warranty information on this John Deere attachment can be found in the warranty that came with your John Deere tractor or vehicle.

Product Identification

Product Compatibility

The backhoe is designed for use with a John Deere compact utility tractor.

Contact your John Deere dealer for specific tractor compatibility information.

Record Purchase Information

Backhoe Serial No. (010001 -)

Record your purchase information in the spaces provided below.

DATE OF PURCHASE:

DEALER NAME:

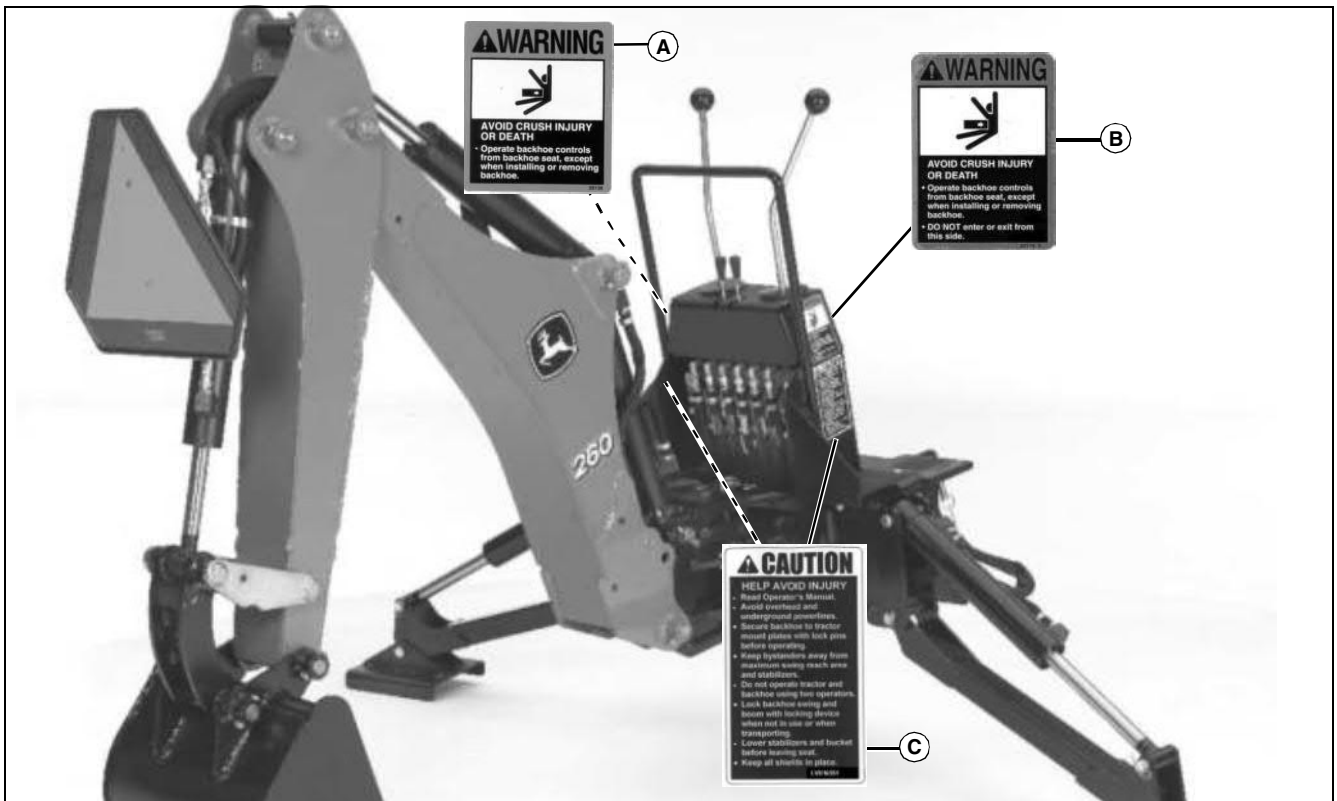
DEALER PHONE:

PRODUCT SERIAL NUMBER:

SAFETY LABELS

Safety Labels

Safety Label Location



MX27163, LVU12267, LVU15750, LVU16551

A- WARNING - LVU12267

B- WARNING - LVU15750

C- CAUTION - LVU16551

<https://www.ebooklibonline.com>

Hello dear friend!

Thank you very much for reading.

Enter the link into your browser.

The full manual is available for immediate download.

<https://www.ebooklibonline.com>

SAFETY



Understanding The Machine Safety Labels

The machine safety labels shown in this section are placed in important areas on your machine to draw attention to potential safety hazards.

On your machine safety labels, the words DANGER, WARNING, and CAUTION are used with this safety-alert symbol. DANGER identifies the most serious hazards.

The operator's manual also explains any potential safety hazards whenever necessary in special safety messages that are identified with the word, CAUTION, and the safety-alert symbol.

WARNING: AVOID CRUSH INJURY OR DEATH



LVU12267

Picture Note: Right side of machine.

- Operate backhoe controls from backhoe seat, except when installing or removing backhoe.

WARNING: AVOID CRUSH INJURY OR DEATH



LVU15750

Picture Note: Left side of machine.

- Operate backhoe controls from backhoe seat, except when installing or removing backhoe.
- DO NOT enter or exit from this side.

CAUTION: HELP AVOID INJURY



LVU16551

Picture Note: Both sides of machine.

- Read Operator's Manual.
- Avoid overhead and underground powerlines.
- Secure backhoe to tractor mount plates with lock pins before operating.
- Keep bystanders away from maximum swing reach area and stabilizers.
- Do not operate tractor and backhoe using two operators.
- Lock backhoe swing and boom with locking device when not in use or when transporting.
- Lower stabilizers and bucket before leaving seat.
- Keep all shields in place.

CAUTION

HELP AVOID INJURY



M119107

- Use only with remote open center valve.
- Do not operate with hose disconnected.
- Before disconnecting hoses:
 - Lower rockshaft
 - Shut off engine

Safety

Operating Safely

- Read the machine and attachment operator's manual carefully. Be thoroughly familiar with the controls and the proper use of the equipment. Know how to stop the machine and disengage the controls quickly.
- Do not let children or an untrained person operate machine.
- Never operate the machine without proper guards or other safety devices in place.

SAFETY

- Disengage all clutches and shift into neutral before starting the engine.
- Inspect machine before you operate and at frequent intervals while operating. Be sure hardware is tight. Repair or replace damaged badly worn, or missing parts.
- Make any necessary adjustments before you operate. Never attempt to make any adjustments while the engine is running, unless if recommended in adjustment procedure.
- Take all possible precautions when leaving the machine unattended. Shut off the engine before unplugging the attachment, or when making any repairs, adjustments, or inspections. Disengage the PTO, lower the attachment, lock the parking brake, stop the engine, and remove the key.
- Only operate during daylight or with good artificial light.
- Look behind machine before you back up. Back up carefully.
- Do not let anyone, especially children, ride on machine or attachment. Riders are subject to injury such as being struck by foreign objects and being thrown off. Riders may also obstruct the operator's view, resulting in the machine being operated in an unsafe manner.
- Do not operate machine when you are tired or ill or under the influence of drugs or alcohol.
- Never operate the machine at high transport speeds on slippery surfaces.
- Use only attachments and accessories approved by the manufacturer of this product.
- After striking a foreign object, park machine safely, thoroughly inspect the machine for any damage, and repair the damage before starting and operating the machine.
- Use extreme caution when operating on or near gravel drives, walks, or roads. Stay alert for hidden hazards or traffic.
- If the machine vibrates abnormally, stop the engine and check immediately for the cause. Vibration is generally a warning of trouble.
- Disengage any power to the attachment when the machine is transported or not in use.
- Do not wear radio or music headphones while operating the machine. Safe operation requires your full attention.
- Always refer to the Storage section of the operator's manual for important details if storing this product for a long period of time.

Parking Safely

1. Stop machine on a level surface, not on a slope.
2. Disengage PTO and stop attachments.
3. Lower attachments to the ground.
4. Lock park brake.
5. Stop engine.
6. Remove key.
7. Wait for engine and all moving parts to stop before you leave the operator's station.
8. Close fuel shut off valve before servicing the fuel system, if your machine is equipped.
9. Disconnect the battery ground cable before making repairs to electrical system or doing any welding.

Protect Children

- Tragic accidents can occur if the operator is not alert to the presence of children. Keep children indoors when the machine and attachment are

operated and under the watchful care of another responsible adult.

- Never assume that children will remain where you last saw them. Stay alert to the presence of children. Turn the machine off if a child enters the work area.
- Do not let children or an untrained person operate the machine.
- Do not carry or let children ride on any attachment or machine even with the attachment off. Do not tow children in a cart or trailer.

Avoid Injury from Moving Parts

Before cleaning, repairing, or inspecting, make certain all moving parts have stopped. Disconnect the tractor spark plug wire or battery to prevent accidental starting.

Do not put hands or feet near or under rotating parts. Keep clear of any discharge area at all times.

Protect your hands when you inspect or unplug the attachment. Wear gloves and use proper tools.

Before you dismount to unplug or adjust attachment:

- Disengage PTO.
- Stop the engine.
- Lock the park brake.
- Remove the key.
- Wait for all moving parts to stop.
- Keep hands, feet and clothing away from attachment when engine is running.

Practice Safe Maintenance

- Only qualified, trained adults should service this machine.
- Understand service procedure before doing work. Keep area clean and dry.
- Do not operate the engine in a confined space where dangerous carbon monoxide fumes can collect.
- Never lubricate, service or adjust the machine or attachment while it is moving. Keep safety devices in place and in working condition. Keep hardware tight.
- Keep hands, feet, clothing, jewelry, and long hair away from any moving parts, to prevent them from getting caught.
- Lower any attachment completely to the ground or to an existing attachment mechanical stop before servicing the attachment. Disengage all power and stop the engine. Lock park brake and remove the key. Let machine cool.
- Disconnect battery or remove spark plug wire (for gasoline engines) before making any repairs.
- Before servicing machine or attachment, carefully release pressure from any components with stored energy, such as hydraulic components and springs.
- Release hydraulic pressure by lowering attachment or cutting units to the ground or to a mechanical stop and move hydraulic control levers.
- Securely support any machine or attachment elements that must be raised for service work. Use jack stands or lock service latches to support components when needed.
- Never run engine unless park brake is locked.
- Keep all parts in good condition and properly installed. Fix damage immediately. Replace worn or broken parts. Replace all worn or damaged safety and instruction decals.
- Check all hardware at frequent intervals to be sure the equipment is in

ASSEMBLY

safe working condition.

- Do not modify machine or safety devices. Unauthorized modifications to the machine or attachment may impair its function and safety.



Avoid High Pressure Fluids

- Hydraulic hoses and lines can fail due to physical damage, kinks, age, and exposure. Check hoses and lines regularly. Replace damaged hoses and lines.

- Hydraulic fluid connections can loosen due to physical damage and vibration. Check connections regularly. Tighten loose connections.
- Escaping fluid under pressure can penetrate the skin causing serious injury. Avoid the hazard by relieving pressure before disconnecting hydraulic or other lines. Tighten all connections before applying pressure.
- Search for leaks with a piece of cardboard. Protect hands and body from high pressure fluids.
- If an accident occurs, see a doctor immediately. Any fluid injected into the skin must be surgically removed within a few hours or gangrene may result. Doctors unfamiliar with this type of injury should reference a knowledgeable medical source. Such information is available from Deere & Company Medical Department in Moline, Illinois, U.S.A. Information may be obtained in the United States and Canada only by calling 1-800-822-8262.

Drive Machine Safely

- Set backhoe boom lock and swing lock pins to center the backhoe before driving. If you must drive on hillsides, move the backhoe to uphill side for added stability.
- Drive carefully:
 - On slopes.
 - Where room is limited.
 - Over rough ground, curbs, or tracks.
 - Near a ditch or excavation.
- For traveling:
 - Be sure brake pedals are connected.
 - Lower the loader bucket.
 - Keep machine in gear at all times.
- Use accessory lights and safety devices to warn operators of other vehicles.
- Where flashing lights are prohibited, disconnect warning light flasher.

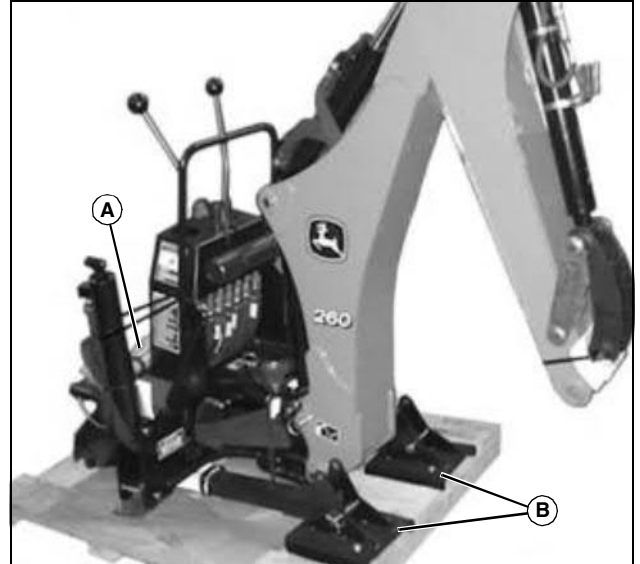
Backhoe Safety Tips

- Learn backhoe controls before you operate.
- Do not let anyone work under raised bucket.
- Do not use boom and bucket as a battering ram.
- Use hand rail to help you mount or dismount. Be careful not to bump levers.
- Avoid rocks, roots, etc. when digging.
- Do not dig under stabilizers.
- Do not contact stabilizers with bucket.
- Do not let backhoe contact electrical cables, overhead or underground, or overhead obstacles.
- Keep bystanders away from maximum swing reach area and stabilizers.

- Carry loads low and travel slowly over rough or uneven ground.
- Before you leave the seat: Lower stabilizers and bucket to the ground. Stop the engine. Remove the key.

Assembly

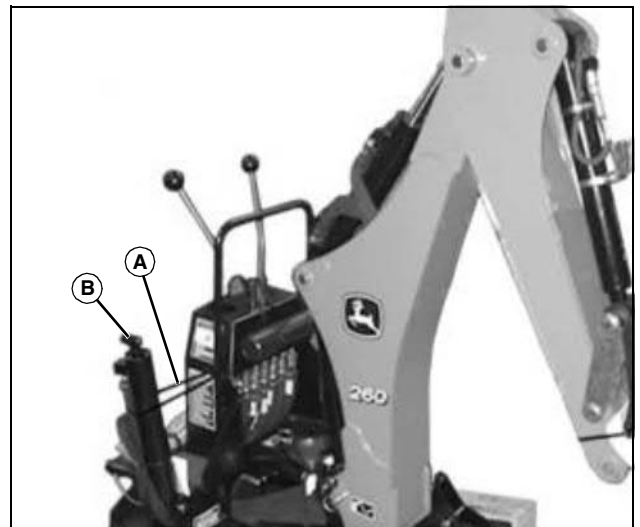
Remove Backhoe From Pallet



MX23872

1. Position pallet on level ground where tractor can be backed up for installation.
2. Remove bag of hardware (A) from backhoe.
3. Remove stabilizers (B) from pallet.
4. Remove any other devices securing backhoe to pallet.
5. Backhoe may remain on pallet for stability until tractor installation.

Install Stabilizers



MX23872

1. Remove wires (A) holding stabilizer cylinders (B) in place and lower cylinders to ground.



Suggest:

If the above button click is invalid.

Please download this document

first, and then click the above link

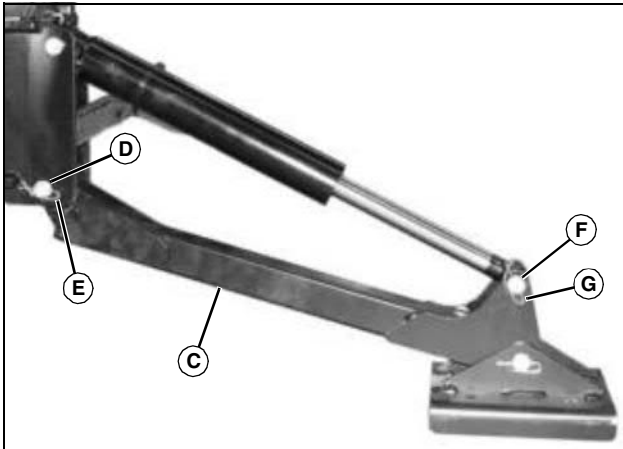
to download the complete manual.

Thank you so much for reading

ASSEMBLY

2. Remove pivot pins and retainers stored in stabilizers.

NOTE: Lubricate all pivot pins before installation.



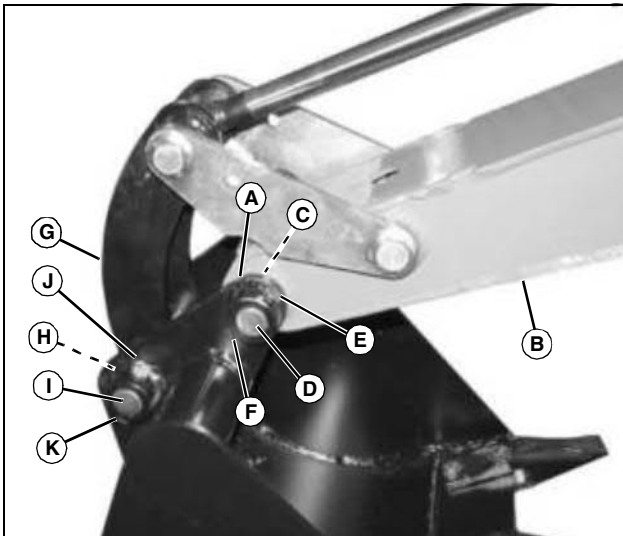
MX24243

3. Install both stabilizers (C) on backhoe with pivot pin inserted from backhoe side of stabilizer (D). Install retainer (E) in pivot pin on tractor side of stabilizer.

4. Install foot end of stabilizer to cylinder with pivot pin (F) inserted from backhoe side of stabilizer. Install retainer (G) in pivot pin on tractor side of stabilizer.

Install Bucket

NOTE: Lubricate all pivot pins before installation.



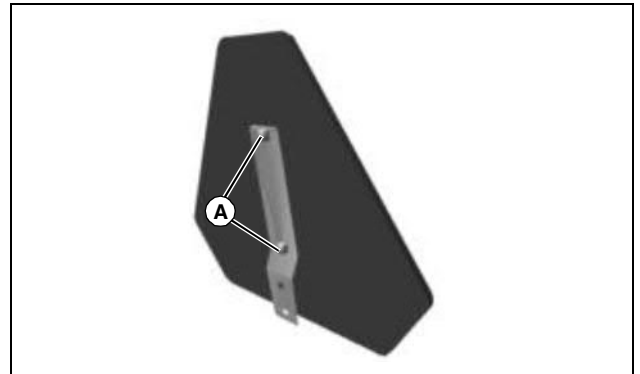
MX24244

1. Align holes in bucket ears (A) with holes in dipperstick (B).
2. Insert spacer (C) between dipperstick and bucket, and install pivot pin (D). Secure with bolt (E) and nut (F).
3. Align holes in bucket with holes in link (G).
4. Insert spacer (H) between dipperstick and bucket, and install pivot pin (I). Secure with bolt (J) and nut (K).

Install Slow Moving Vehicle (SMV) Sign

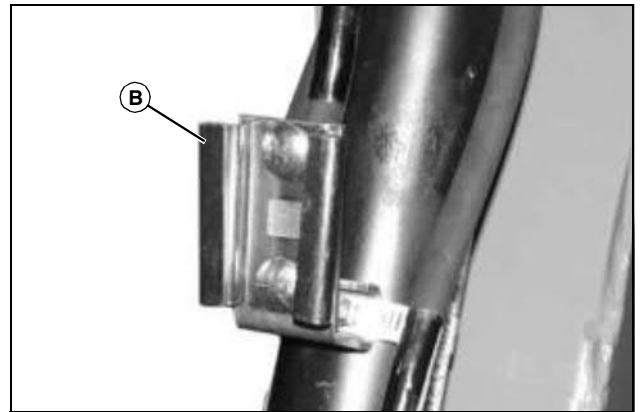
NOTE: Install SMV sign on backhoe whenever backhoe is installed on tractor. When backhoe is removed from tractor, install SMV sign on tractor.

1. Remove SMV sign from tractor seat or ROPS. Retain one bolt and nut.



MX23815

2. Install bracket on back of SMV sign with two 1/4 x 3/4 in. bolts, 1/4 in. lockwashers and 1/4 in. nuts (A).



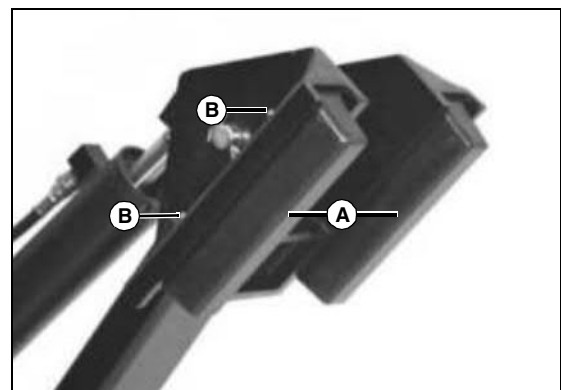
MX24245

3. Install SMV sign into bracket (B) on the bucket cylinder.

Lubricate Backhoe

Lubricate all grease points before operating backhoe.

Install Optional Street Pads



M64102

1. Install street pads (A) on stabilizers with nuts (B).

<https://www.ebooklibonline.com>

Hello dear friend!

Thank you very much for reading.

Enter the link into your browser.

The full manual is available for immediate download.

<https://www.ebooklibonline.com>