

JOHN DEERE
AG & TURF DIVISION

Power Flow™
54HC

OMM168204 I2

OPERATOR'S MANUAL



JOHN DEERE

Original Instruction

All information, illustrations and specifications in this manual are based on the latest information at the time of publication. The right is reserved to make changes at any time without notice.

COPYRIGHT© 2012

Deere & Co.

**John Deere Worldwide Commercial and
Consumer Equipment Division**

All rights reserved

Previous Editions

COPYRIGHT©

Export Version

Printed in U.S.A.

INTRODUCTION

Table of Contents

Introduction.....	1
Product Identification.....	1
Safety Labels.....	3
Safety.....	3
Assembly.....	5
Preparing Vehicle.....	6
Installing.....	7
Removing and Storing.....	9
Operating.....	10
Service.....	10
Troubleshooting.....	12
Getting Quality Service.....	12

Introduction

Using Your Operator's Manual

Read this entire operator's manual, especially the safety information, before operating.

This manual is an important part of your machine. Keep all manuals in a convenient location so they can be accessed easily.

Use the safety and operating information in the attachment operator's manual, along with the machine operator's manual, to operate and service the attachment safely and correctly.

If your attachment manual has a section called Preparing the Machine, it means that you will have to do something to your tractor or vehicle before you can install the attachment. The Assembly and Installation sections of this manual provide information to assemble and install the attachment to your tractor or vehicle. Use the Service section to make any needed adjustments and routine service to your attachment.

If you have any questions or concerns with the assembly, installation, or operation of this attachment, see your local John Deere dealer or call the John Deere Customer Contact Center at 1-800-537-8233 for assistance.

Warranty information on this John Deere attachment can be found in the warranty that came with your John Deere tractor or vehicle.

Product Identification

Product Compatibility

This POWER FLOW™ is compatible with the 54 Inch High Capacity (54HC) mower for the X700 Ultimate Series Tractors.

Record Identification Numbers

54HC POWER FLOW™

Serial No. (010001 -)

If you need to contact an Authorized Service Center for information on servicing, always provide the product model and serial number.

You will need to locate the model and serial number for the POWER FLOW and record the information in the spaces provided below.



MX52071

DATE OF PURCHASE:

DEALER NAME:

DEALER PHONE:

PRODUCT SERIAL NUMBER (A):

PRODUCT IDENTIFICATION

<https://www.ebooklibonline.com>

Hello dear friend!

Thank you very much for reading.

Enter the link into your browser.

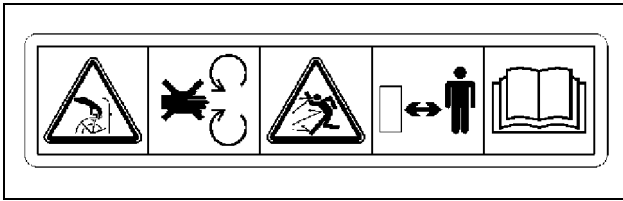
The full manual is available for immediate download.

<https://www.ebooklibonline.com>

SAFETY LABELS

Safety Labels

Warning: Rotating Blade - Thrown Objects - M149489



M149489

- Do not put hands or feet under or into mower when engine is running.
- Keep away from rotating parts. Do not open or remove safety shields while engine is running. Operate blower with entire grass catcher secured in place.
- Thrown Objects - Before mowing, clear area of objects that may be thrown by blade. Do not operate mower without discharge chute or entire grass catcher in place.
- Stay a safe distance from machine.
- Read operator's manual.

Safety

Read Safety in Machine Operator's Manual

Read the general safety operating precautions in your machine operator's manual for additional safety information.

Operating Safely

Read, understand and follow all instructions in this attachment manual, the machine operator's manual and safety signs on equipment before starting.

Use proper front ballast. Remove ballast when the material collection system is removed.

Hopper extends beyond machine. Be aware of surrounding objects when making short turns.

Do not operate material collection system unless entire grass catcher is fastened in place with hopper cover securely latched.

Do not let anyone ride on the mower or material collection system. Riders are subject to injury such as being struck by foreign objects or being thrown off. Riders may obstruct the operator's view and cause a collision.

Before bag removal or installation:

- Stop mower.
- Disengage mower or PTO.
- Stop engine and remove key.
- Wait for engine and all moving parts to stop before leaving the operator seat.

Before backing up machine:

- Stop machine.
- Look behind hopper for children.
- Keep bystanders away when unloading material collection system.

Operate safely on slopes:

- Empty bags when they are half full.
- Do not operate on steep slopes.
- Before turning, slow down.
- Avoid sudden starts and stops.
- Do not park machine with material collection system on slopes.

Bag and Hose Maintenance:

- Bag and hose are subject to wear and deterioration.
- Check bag and hose frequently; replace when necessary.
- Use John Deere bag and hose or equivalent to comply with safety specifications.
- Do not leave clippings in bags overnight.

Parking Safely

1. Stop machine on a level surface, not on a slope.
2. Disengage mower blades or any other attachments.
3. Lower attachments to the ground.
4. Lock the park brake.
5. Stop the engine.
6. Remove the key.
7. Wait for engine and all moving parts to stop before you leave the

SAFETY

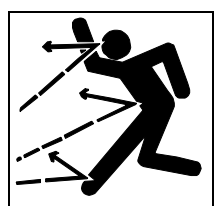
operator's seat.

8. Close fuel shut-off valve, if your machine is equipped.

9. Disconnect the negative battery cable or remove the spark plug wire(s) (for gasoline engines) before servicing the machine.

Protect Children

- Tragic accidents can occur if the operator is not alert to the presence of children. Keep children indoors when the machine and attachment are operated and under the watchful care of another responsible adult.
- Never assume that children will remain where you last saw them. Stay alert to the presence of children. Turn the machine off if a child enters the work area.
- Do not let children or an untrained person operate the machine.
- Do not carry or let children ride on any attachment or machine even with the attachment off. Do not tow children in a cart or trailer.



Avoid Injury From Thrown Objects

- When operating the vehicle with the MCS attachment installed make sure all chutes and hoses are securely in place. Keep hopper closed or MCS in operating position.
- Stop the engine and wait for all moving parts to stop before removing or lifting any attachment components.

- Avoid injury from impeller blades and thrown objects. Remove attachment when operating vehicle in side discharge mode. Make sure deflector shield is in place on mower deck if attachment is removed.



Avoid Injury From Rotating Blades

- Keep hands and feet away from rotating blades and blower assembly when engine is running.

- Stop engine and wait for moving parts to stop before servicing components.
- Do not operate MCS or blower unless all attachment components are in place and latched.

Practice Safe Maintenance

- Only qualified, trained adults should service this machine.
- Understand service procedure before doing work. Keep area clean and dry.
- Do not operate the engine in a confined space where dangerous carbon monoxide fumes can collect.
- Never lubricate, service or adjust the machine or attachment while it is moving. Keep safety devices in place and in working condition. Keep hardware tight.
- Keep hands, feet, clothing, jewelry, and long hair away from any moving parts, to prevent them from getting caught.
- Lower any attachment completely to the ground or to an existing attachment mechanical stop before servicing the attachment. Disengage all power and stop the engine. Lock park brake and remove the key. Let machine cool.
- Disconnect battery or remove spark plug wire (for gasoline engines) before making any repairs.
- Before servicing machine or attachment, carefully release pressure from any components with stored energy, such as hydraulic components and

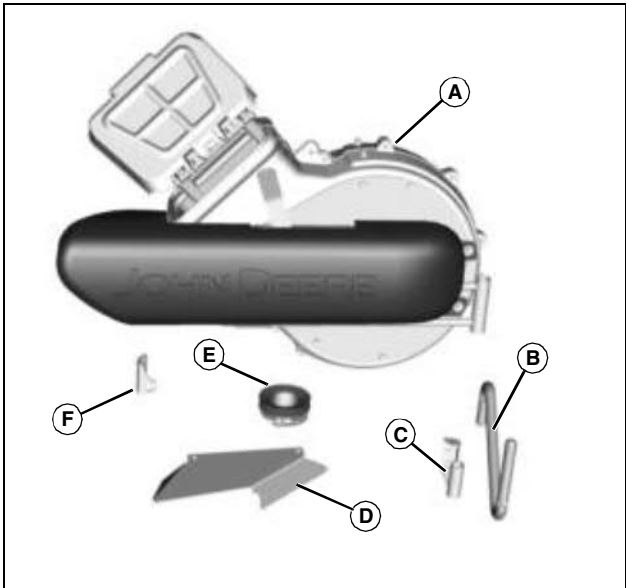
springs.

- Release hydraulic pressure by lowering attachment or cutting units to the ground or to a mechanical stop and move hydraulic control levers.
- Securely support any machine or attachment elements that must be raised for service work. Use jack stands or lock service latches to support components when needed.
- Never run engine unless park brake is locked.
- Keep all parts in good condition and properly installed. Fix damage immediately. Replace worn or broken parts. Replace all worn or damaged safety and instruction decals.
- Check all hardware at frequent intervals to be sure the equipment is in safe working condition.
- Do not modify machine or safety devices. Unauthorized modifications to the machine or attachment may impair its function and safety.

ASSEMBLY

Assembly

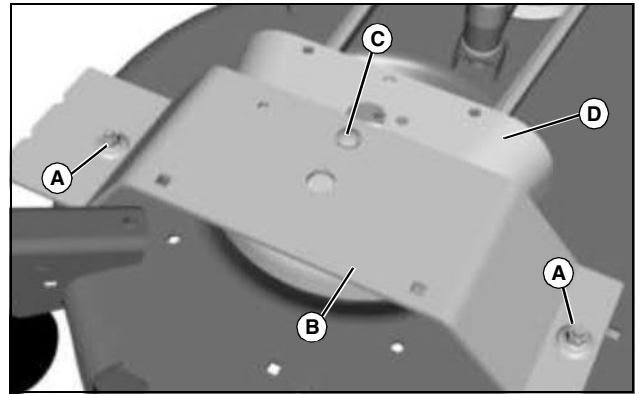
Identify Parts



MX52152

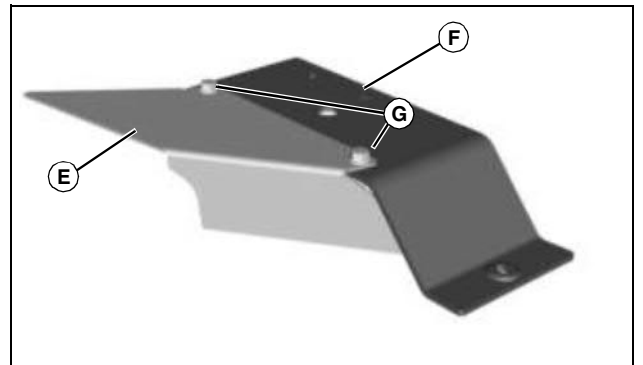
Qty.	Description
1	POWER FLOW (A)
1	Front Support Rod (B)
1	Front Mounting Bracket (C)
1	Belt Shield (D)
1	Sheave (E)
1	Rear Bracket (F)
2	Bolt, M8x20
6	Locknut, M8
4	Locknut, M6
2	Sheave Retainer
4	Carriage Bolt, M8x20

Modify Mower Deck Belt Shield



MX52036

1. Remove two M8 locknuts (A), and lift deck belt shield (B) up to remove from mower deck.
2. Remove carriage bolt (C) and lock nut, and remove lower deck belt shield (D) from deck belt shield. Retain hardware, and set aside lower deck belt shield for future installation.



MX52153

3. Install lip of POWER FLOW deck belt shield (E) above deck shield (F), and secure with two M8x20 bolts (G) and two M8 locknuts. Tighten to 20 - 40 N•m (15 - 29 lb-ft).

NOTE: Do not install belt shield back onto deck at this time. You should install shield after POWER FLOW assembly and belt is installed on deck.



Suggest:

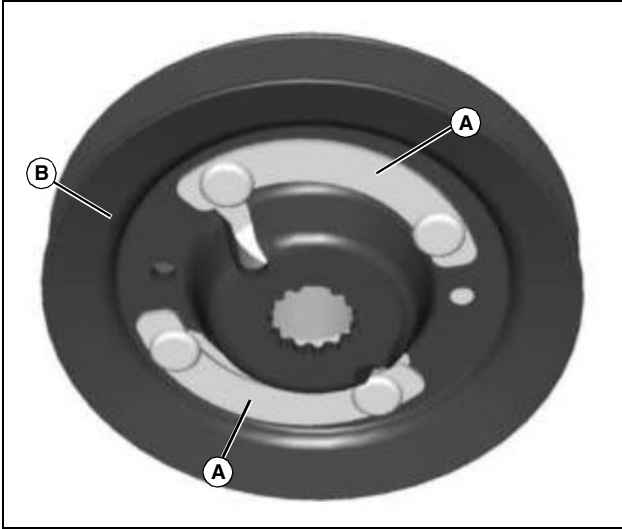
If the above button click is invalid.

Please download this document first, and then click the above link to download the complete manual.

Thank you so much for reading

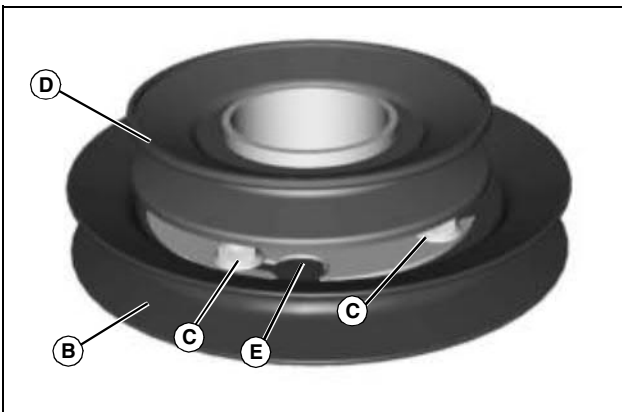
PREPARING VEHICLE

Install Upper Sheave



MX52038

Picture Note: Sheave removed from spindle for clarity. View from bottom of deck sheave.



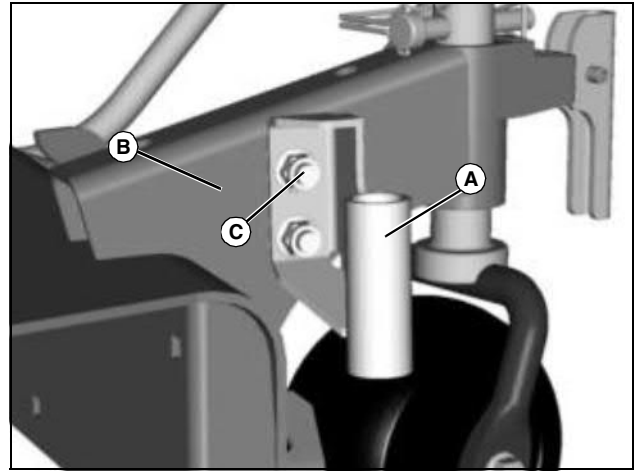
MX52039

Picture Note: Sheaves removed from spindle for clarity.

1. Install upper sheave retaining plates (A) onto lower sheave (B) loosely by inserting them up through holes in lower sheave (B) and starting 4 locknuts (C) onto the threads
2. Install upper sheave (D) onto right spindle sheave (B), lining up large end of key slots (E) in upper sheave with nuts on sheave retaining plates.
3. Rotate the upper sheave (D) counterclockwise to position the nuts over the small end of the key slots. Tighten hardware to 9 - 17 N•m (7 - 12 lb-ft)

Install Front Mounting Bracket

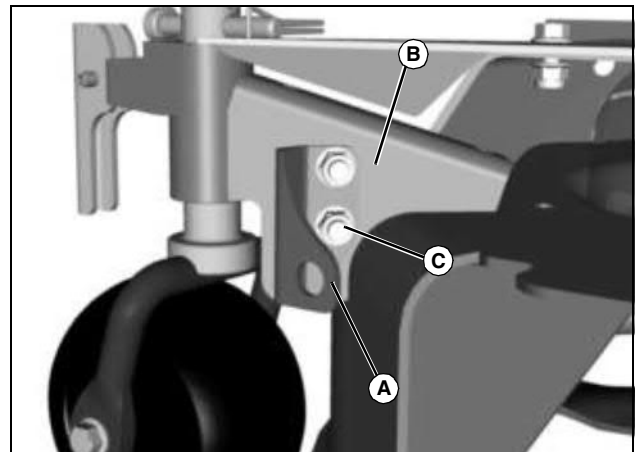
NOTE: Remove wheel for easy installation.



MX52040

1. Install front mounting bracket (A) onto front gage wheel bracket (B) with two M8x20 carriage bolts and M8 flange locknuts (C). Tighten to 20 - 40 N•m (15 - 29 lb-ft).

Install Rear Latch Bracket



MX52154

1. Install power flow latch bracket (A) to gage wheel bracket (B) with two M8x20 carriage head bolt and two M8 locknuts (C). Tighten to 20 - 40 N•m (15 - 29 lb-ft).

Preparing Vehicle

Remove Mulch Kit



CAUTION: Avoid injury! Blades are sharp. Always wear gloves when handling blades or working near blades.

Mulch kit is not compatible with installation of blower assembly. If mulch kit is installed on mower, removal of mulch plug, attaching hardware and mulching blades is required. See installation instructions shipped with mulch kit.

<https://www.ebooklibonline.com>

Hello dear friend!

Thank you very much for reading.

Enter the link into your browser.

The full manual is available for immediate download.

<https://www.ebooklibonline.com>