

**38, 48, and 54-Inch
Commercial
Walk-Behind Mowers**
(Serial No. 010001 –)

**OPERATOR'S
MANUAL**

**John Deere
Lawn & Grounds Care Division
OMM114548 B3**

This manual replaces OMM114548 J2

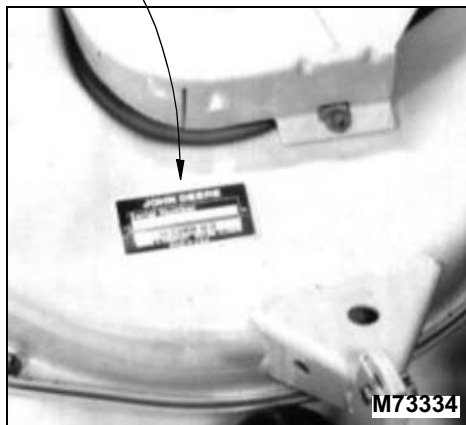
North American Version
Litho in U.S.A
English

INTRODUCTION

Engine Serial Number:
□□□□□□□□□□□□□□



Mower Serial Number:
□□□□□□□□□□□□□□



<https://www.ebooklibonline.com>

Hello dear friend!

Thank you very much for reading.

Enter the link into your browser.

The full manual is available for immediate download.

<https://www.ebooklibonline.com>

TABLE OF CONTENTS

	Page		Page
Safety		Daily Operating Checklist ..	22
Safety-Alert Symbol	1	Starting To Mow	22
Machine Safety Labels	1	Travel Speeds	23
Controls		Traction Drive	24
Console Controls	3	PTO Switch	25
Handle Levers and Engine		Turn And Service Brakes ..	26
Controls	3	Grass Catcher	27
Operating the Machine		Transporting	28
Safety	4	Lawn Care	
Using Controls	8	Mowing Tips	29
Starting Engine	12	Bagging Tips	31
Stopping Engine	13	Mulching Tips	32
Daily Operating Checklist ..	14	Replacement Parts	
Testing Safety System	14	John Deere Quality Parts	
Avoid Damage To Plastic And		Available At Your John	
Painted Surfaces	15	Deere Dealer	34
Operating the Mower		Service Machine Safely	
Safety	16	Practice Safe	
Leveling Mower		Maintenance	36
Side-to-side	17	Service Interval Chart	
Leveling Mower (Front-to-		Services Required	38
rear)	18	Service - Engine	
Adjusting Level		Engine Oil	40
(Early Units)	19	Changing Engine Oil	41
Adjusting Level		Changing Engine	
(Late Units)	19	Oil Filter	42
Adjusting Cutting Height And		Cleaning Air Intake	
Gauge Wheels		Screen	43
(Early Units)	20	Cleaning Foam Element	43
Adjusting Cutting Height And		Replacing Paper	
Gauge Wheels		Element	44
(Late Units)	21	Carburetor Adjustments	45
Checking Blade		Changing Fuel Filter	48
Stop Time	21		

TABLE OF CONTENTS

	Page		Page
Service - Transmission		Service - Miscellaneous	
Transmission Oil	49	Checking Tire Pressure	69
Checking Oil Level	49	Adjusting Tire Pressure	70
Changing Oil	50	John Deere Tire	
Replacing Belt	51	Warranty	70
Service - Brakes		Refueling Machine	71
Gear Selector Neutral		Troubleshooting	
Adjustment	52	Using Troubleshooting	
Service - Mower		Chart	73
Grease	53	Storing Machine	
Lubricating Mower	54	Storing Safety	77
Lubricating Idler		Storing Power Unit	77
Arm Bushing	55	Storing Mower	78
Inspecting Blades	55	Removing Mower From	
Checking Mower Blades	56	Storage	79
Adjusting PTO Clutch	57	Assembly	
Sharpening Blades	57	Assembly For Early Model	
Balancing Blades	58	Mowers	80
Belt Shields	58	Early Model Mowers—Install	
Replacing Mower Belt	59	Caster Wheel Assemblies &	
Service - Electrical		Left Mower Arm	81
Cleaning or Replacing		Early Model Mowers—Install	
Battery	61	Chute	82
Checking Battery Electrolyte		All information, illustrations and	
Level	62	specifications in this manual are	
Charging the Battery	63	based on the latest information at	
Charging Rates	65	the time of publication. The right is	
Using Booster Battery	66	reserved to make changes at any	
Limited Battery Warranty ...	67	time without notice.	
Replacing Fuse	68	COPYRIGHT© 1993	
Cleaning And Gapping Spark		John Deere Horicon Works	
Plug	68	All rights reserved	
		Previous Editions	
		Copyright© 1992, 1991, and 1990	

TABLE OF CONTENTS

	Page	Page
Early Model Mowers—Install		
Rod	82	
Assembly For Late Model		
Mowers	82	
Late Model Mowers (48 And		
54-inch)—Install Chute	84	
Take Power Unit		
Out Of Crate	85	
Fasten Mower To		
Power Unit	86	
Adjust Oscillation		
Stop Bolts	88	
Add Engine Oil	88	
Activate Battery	89	
Checking Tire Pressure	92	
Specifications		
Engine Specifications	93	
Machine Specifications	95	
Service Literature		
Order Form	97	

SAFETY SIGNS

Safety-Alert Symbol

Read and recognize safety information. Be alert to the potential for personal injury when you see this safety-alert symbol.

On your machine safety labels, the words DANGER, WARNING, and CAUTION are used with this safety-alert symbol. DANGER identifies the most serious hazards. In this manual, the word CAUTION and this symbol call attention to safety messages.



Machine Safety Labels



Right End of Mower Deck

M38613



Left End of Mower Deck

M38614

SAFETY SIGNS



M73297

Center of Instrument Panel

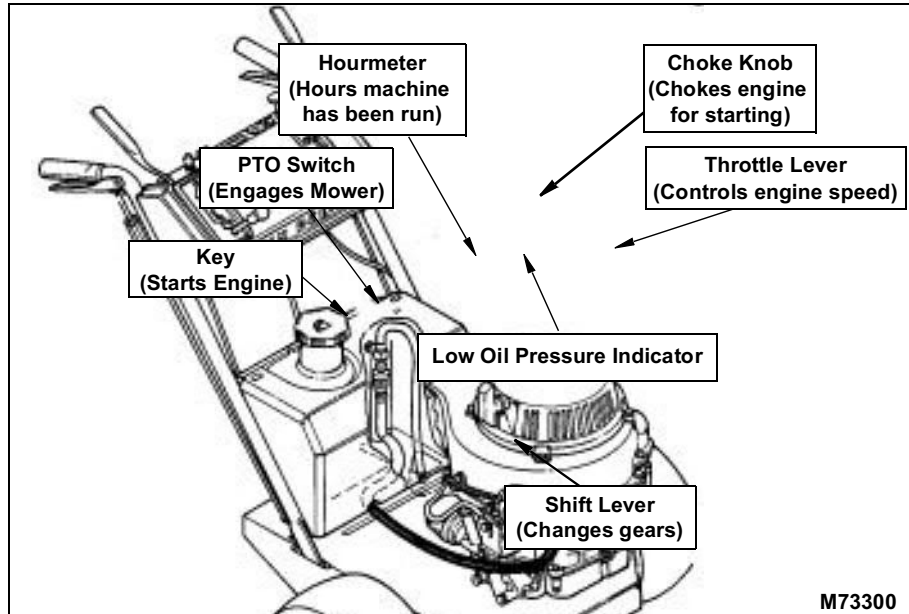


On Sulky

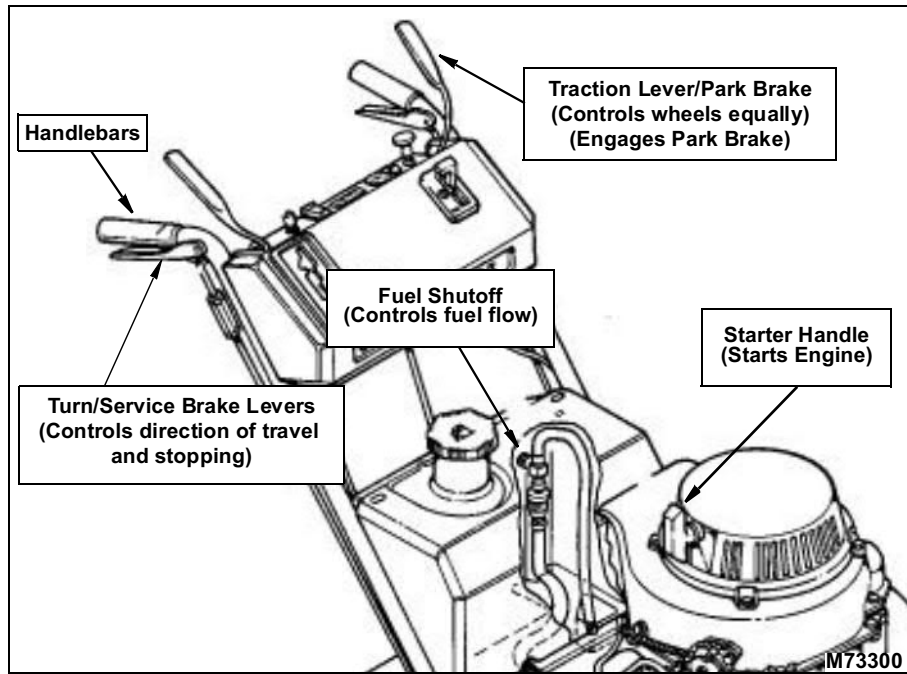
M73466

CONTROLS

Console Controls



Handle Levers and Engine Controls



OPERATING THE MACHINE

SAFETY



Operate Mower Safely

- Check brake action before you operate. Adjust or service brakes as necessary.
- Clear work area of objects that might be thrown. Keep people and pets out of the work area. Stop machine if anyone enters the area.
- If you hit an object, stop the machine and inspect it. Make repairs before you operate. Keep machine and attachments properly maintained and in good working order. Keep all shields and guards in place.
- DO NOT leave machine unattended when it is running.
- Only operate during daylight or with good artificial light.
- Be careful of traffic when operating near or crossing roadways.

Operate Sulky Safely



- Use sulky ONLY on EVEN terrain for mowing mostly in a straight line.
- Be careful when you drive sulky and mower through a dip. Handlebars may hit you, ESPECIALLY when you make a turn.

Park Safely

- Stop machine on a level surface, not on a slope.
- Disengage PTO
- Engage park brake.
- STOP engine.
- Remove key.
- Before you leave the machine, wait for engine and all moving parts STOP.

OPERATING THE MACHINE

Rotating Blades Are Dangerous - Protect Children and Prevent Accidents



PROTECT CHILDREN:

- Never assume that children will remain where you last saw them. Children are attracted to mowing activity, stay alert to the presence of children.
- Keep children in the house when you are operating the machine.
- Turn machine off if a child enters the mowing area.
- Use extra care when you come to blind corners, shrubs, trees, or other objects that may block your vision.
- DO NOT let children or untrained person operate the machine.
- DO NOT carry or let children ride on machine or sulky.

HELP PREVENT SERIOUS OR FATAL ACCIDENTS:

- Be alert at all times, drive forward carefully. People especially children can move quickly into the mowing area before you know it.
- Back carefully. Shut off PTO and look behind the machine carefully, especially for children, before you back up.
- DO NOT mow in reverse unless it is absolutely necessary.
- Shut off PTO when you are not mowing.

OPERATING THE MACHINE

Avoid Tipping

- DO NOT use sulky or grass catcher on slopes or uneven ground.
- Stay alert for holes and other hidden hazards in the terrain.
- Keep away from drop-offs.
- Slow down before you make a sharp turn or operate on a slope.
- Drive up and down a hill - not across. Be careful when you change direction on a slope.
- DO NOT stop when going up hill or down hill. If machine stops going up hill, STOP PTO and back down slowly.
- DO NOT mow a steep slope where you cannot maintain firm footing and control of the mower.
- DO NOT mow wet grass. Reduced traction could cause sliding.
- DO NOT try to stabilize the machine by putting your foot on the ground.

Operator Training Required

- Study operation section of this manual before operating the machine.
- Operate machine in an open, unobstructed area under the direction of an experienced operator.
- Learn the use of all controls.
- Operator experience is required to learn the moving, stopping, turning and other operating characteristics of the machine.

OPERATING THE MACHINE

Keep Riders Off



- Only allow the operator on the sulky. Keep riders off sulky and mower.
- Riders on the machine may be struck by foreign objects or thrown off the machine causing serious injury.
- Riders obstruct the operator's view resulting in the machine being operated in an unsafe manner.

Wear Appropriate Clothing



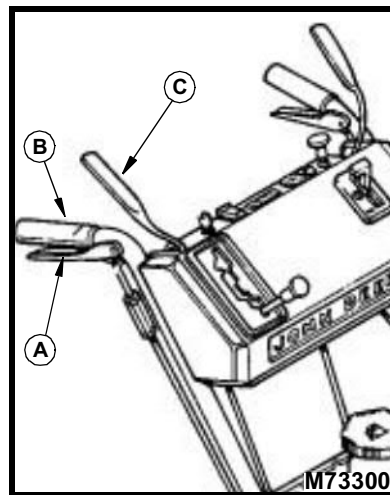
- Wear close fitting clothing and safety equipment appropriate for the job.
- Loud noise can cause impairment or loss of hearing, wear a suitable protective device such as earplugs.
- Do not wear radio or music headphones while operating the machine. Safe operation requires your full attention.

OPERATING THE MACHINE

Using Controls

A–TURN/SERVICE BRAKE LEVERS:

- Left lever controls left drive wheel. Pull and hold lever against handle to turn LEFT.
- Right lever controls right wheel. Pull and hold lever against handle to turn RIGHT.
- Turn brakes work only after you ENGAGE traction drive lever (C).
- For emergency stop:
 - Pull up service brake levers to stop forward movement.
 - Then release traction lever (C) to ENGAGE park brake.



B–HANDLEBAR

C–TRACTION LEVER/PARK BRAKE:

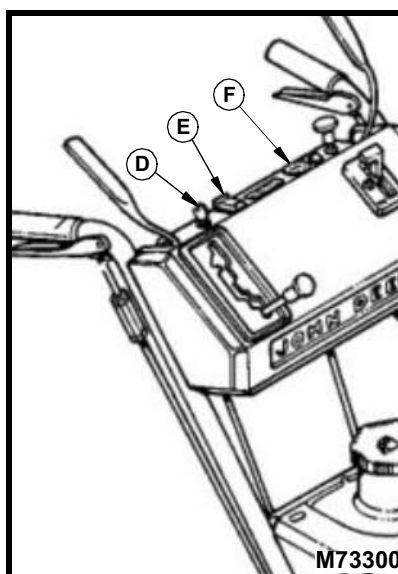
- Lever controls left and right wheels equally.
- Lever has three positions and three functions:
 - LEVER UP: Park brake ENGAGES.
 - LEVER PART WAY DOWN: You can ENGAGE PTO.
 - LEVER DOWN: Traction drive ENGAGES.
- Traction lever is not designed to stop the mower. Use service brake levers (A) to stop forward movement.

OPERATING THE MACHINE

D–KEY:

- Turn key to the VERTICAL position to STOP the engine.
- Turn key to FIRST or RUN position:
 - **Manual Start Model:** Engine is ready to start. Pull starter handle.
 - **Electric Start Model:** Oil indicator light should go ON.
- Electric Start Model: Turn key to SECOND or START position to START engine.

NOTE: Later model mowers have a round PTO knob instead of a lever. Lever type switch is shown in the picture.



E–PTO SWITCH:

- To turn **LEVER** type (earlier models) switch ON:
 - Pull lever to rear.
 - Lift rear of lever to the ON position.
 - Push lever DOWN to the OFF position.
- To turn **KNOB** type (later models) switch ON:
 - Pull knob up.
 - Push knob DOWN to turn OFF.

F–HOUR METER:

- Hour meter records number of hours engine has run.
- Check hour meter to learn when engine or mower needs service.

OPERATING THE MACHINE

G-LOW OIL PRESSURE INDICATOR:

IMPORTANT: If light comes ON when engine is running, STOP ENGINE IMMEDIATELY or engine may be seriously damaged. Find and correct the cause before you run engine.

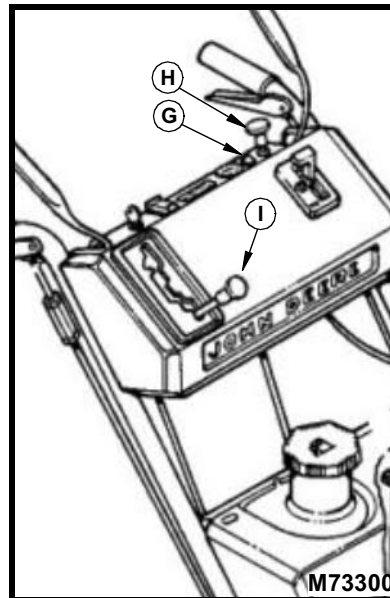
- RED indicator light means oil is low and/or oil pressure is low.
- Electric-Start Model: Indicator should light when you turn key switch to the RUN position.
- Light should go out when engine starts.

H-CHOKE KNOB:

- Pull knob up to CHOKE engine.
- Push knob down to OPEN choke.

I-SHIFT LEVER:

- You can move lever to 5 forward gears, neutral, and reverse.
- OK to shift on the go among forward gears.
- Stop forward movement before you shift to reverse.
- To Park Mower: STOP engine. Move shift lever to 1st or reverse gear.





Suggest:

If the above button click is invalid.

Please download this document

first, and then click the above link

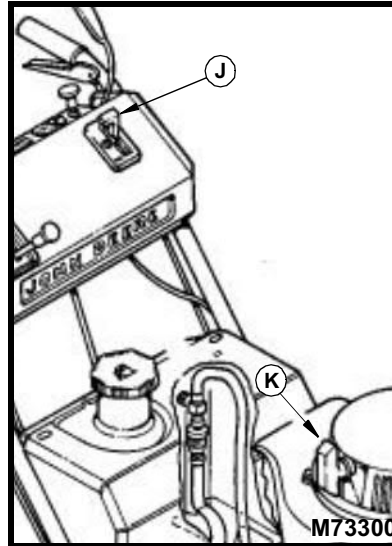
to download the complete manual.

Thank you so much for reading

OPERATING THE MACHINE

J-THROTTLE LEVER:

- Push lever all the way forward to FAST (rabbit) position. Use this position when you mow.
- Pull lever to rear to SLOW (turtle) position. Do not run engine at SLOW idle any longer than necessary.



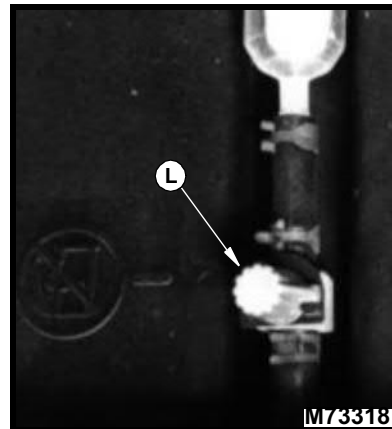
K-STARTER HANDLE

- Pull starter handle until you feel resistance. Then pull fast and steady.
- Let rope return slowly. Do not let it snap back.

L-FUEL SHUTOFF

Fuel shutoff knob is on rear of tank.

- Turn red knob pointer to horizontal OFF position shown:
 - At end of each day's operation.
 - Before you transport mower on a truck or trailer.
 - Before you store mower.
- Turn pointer down to OPEN position.



<https://www.ebooklibonline.com>

Hello dear friend!

Thank you very much for reading.

Enter the link into your browser.

The full manual is available for immediate download.

<https://www.ebooklibonline.com>