

**JOHN DEERE**  
**WORLDWIDE COMMERCIAL & CONSUMER**  
**EQUIPMENT DIVISION**

---

**POWER FLOW™ and Rear Bagger**  
**14-Bushel Commercial**

OMTCU19977 E4

**OPERATOR'S MANUAL**



**JOHN DEERE**

All information, illustrations and specifications in this manual are based on the latest information at the time of publication. The right is reserved to make changes at any time without notice.

COPYRIGHT© 2004  
Deere & Co.

John Deere Worldwide Commercial and  
Consumer Equipment Division  
All rights reserved  
Previous Editions  
COPYRIGHT©

North American Version  
Litho in U.S.A.

# INTRODUCTION

## Introduction

### Using Your Operator's Manual

This manual is an important part of your machine and should remain with the machine when you sell it.

Use the safety and operating information in the attachment operator's manual along with the machine operator's manual to operate and service the attachment safely and correctly.

Specifications and design are subject to change without notice.

## Product Identification

### Product Compatibility

The POWER FLOW and 14-Bushel Rear Bagger is compatible with Mid-Mount Z-Trak models 737, 757, 777 and 797.

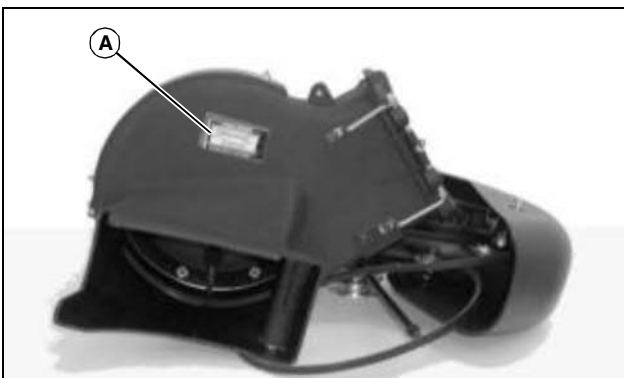
### Record Identification Numbers

#### POWER FLOW

Serial Number (010001-)

If you need to contact an Authorized Service Center for information on servicing, always provide the product model and serial number.

You will need to locate the serial number for the attachment. Record the information in the spaces provided below.



MX12469

DATE OF PURCHASE:

DEALER NAME:

DEALER PHONE:

PRODUCT SERIAL NUMBER (A):

## Safety Labels

### Understanding The Machine Safety Labels



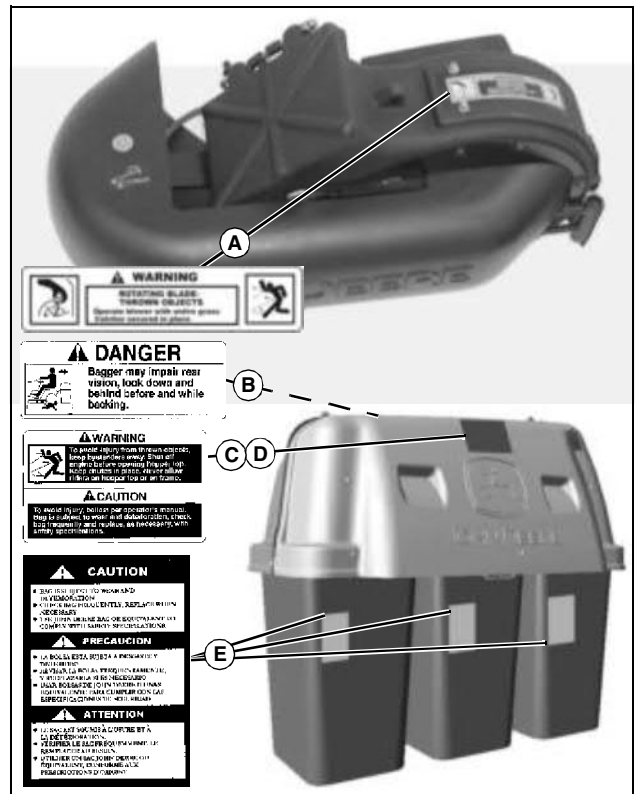
Safety-Alert Symbol

The machine safety labels shown in this section are placed in important areas on your machine to draw attention to potential safety hazards.

On your machine safety labels, the words DANGER, WARNING, and CAUTION are used with this safety-alert symbol. DANGER identifies the most serious hazards.

The operator's manual also explains any potential safety hazards whenever necessary in special safety messages that are identified with the word, CAUTION, and the safety-alert symbol.

### Safety Labels



M118454, MX12470, M146238, M146356, GC00215, MX19991

#### A) WARNING: Rotating Blade-Thrown Objects

Operate blower with entire grass catcher secured in place.

# SAFETY

## B) DANGER

Bagger may impair rear vision, look down and behind before and while backing.

## C) WARNING

To avoid injury from thrown objects, keep bystanders away. Shut off engine before opening hopper top. Keep chutes in place. Never allow riders on hopper top or on frame.

## D) CAUTION

To avoid injury, ballast per operator's manual. Bag is subject to wear and deterioration, check bag frequently and replace, as necessary, with a John Deere bag or equivalent to comply with safety specifications.

## E) CAUTION

- Bag is subject to wear and deterioration
- Check bag frequently and replace when necessary.
- Use John Deere bag or equivalent to comply with safety specifications.

---

## Safety

Read the general safety operating precautions in your machine operator's manual for additional safety information.

### Operating Safely

Read, understand and follow all instructions in this attachment manual, the machine operator's manual and safety signs on equipment before starting.

Use proper front ballast. Remove ballast when the material collection system is removed.

Hopper extends beyond machine. Be aware of surrounding objects when making short turns.

Do not operate material collection system unless entire grass catcher is fastened in place with hopper cover securely latched.

Do not let anyone ride on the mower or material collection system. Riders are subject to injury such as being struck by foreign objects or being thrown off. Riders may obstruct the operator's view and cause a collision.

### Before bag removal or installation:

- Stop mower.
- Disengage mower or PTO.
- Stop engine and remove key.
- Wait for engine and all moving parts to stop before leaving the operator seat.

### Before backing up machine:

- Stop machine.
- Look behind hopper for children.
- Keep bystanders away when unloading material collection system.

### Operate safely on slopes:

- Empty bags when they are half full.
- Do not operate on steep slopes.
- Before turning, slow down.
- Avoid sudden starts and stops.
- Do not park machine with material collection system on slopes.

### Bag Maintenance:

- Bag is subject to wear and deterioration.
- Check bag frequently; replace when necessary.
- Use John Deere bag or equivalent to comply with safety specifications.
- Do not leave clippings in bags overnight.

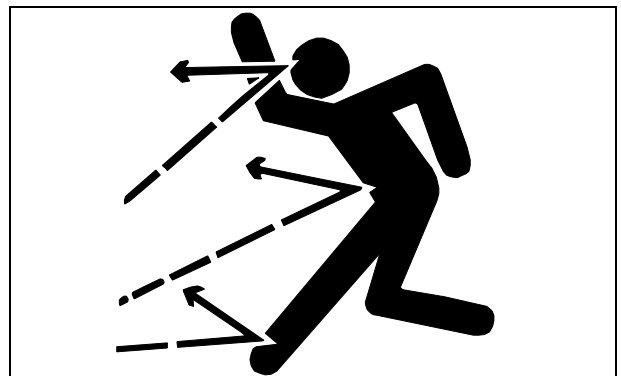
### Parking Safely

1. Stop machine on a level surface, not on a slope.
2. Disengage mower blades or any other attachments.
3. Lower attachments to the ground.
4. Lock the park brake.
5. Stop the engine.
6. Remove the key.
7. Wait for engine and all moving parts to stop before you leave the operator's seat.
8. Close fuel shut-off valve, if your machine is equipped.
9. Disconnect the negative battery cable or remove the spark plug wire (for gasoline engines) before servicing the machine.

### Protect Children

- Tragic accidents can occur if the operator is not alert to the presence of children. Keep children indoors when the machine and attachment are operated and under the watchful care of another responsible adult.
- Never assume that children will remain where you last saw them. Stay alert to the presence of children. Turn the machine off if a child enters the work area.
- Do not let children or an untrained person operate the machine.
- Do not carry or let children ride on any attachment or machine even with the attachment off. Do not tow children in a cart or trailer.

### Avoid Injury From Thrown Objects



- When operating the vehicle with the MCS attachment installed make sure all chutes and hoses are securely in place. Keep hopper top closed or MCS in operating position.
- Stop the engine and wait for all moving parts to stop before removing or lifting any attachment components.
- Avoid injury from impeller blades and thrown objects. Remove attachment when operating vehicle in side discharge mode. Make sure deflector shield is in place on mower deck if attachment is removed.

**<https://www.ebooklibonline.com>**

Hello dear friend!

Thank you very much for reading.

Enter the link into your browser.

The full manual is available for immediate download.

**<https://www.ebooklibonline.com>**

**<https://www.ebooklibonline.com>**

Hello dear friend!

Thank you very much for reading.

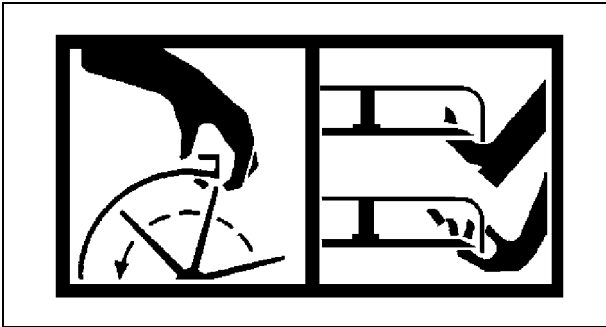
Enter the link into your browser.

The full manual is available for immediate download.

**<https://www.ebooklibonline.com>**

# ASSEMBLY

## Avoid Injury From Rotating Blades



M75354

- Keep hands and feet away from rotating blades and blower assembly when engine is running.
- Stop engine and wait for moving parts to stop before servicing components.
- Do not operate MCS or blower unless all attachment components are in place and latched.

## Practice Safe Maintenance

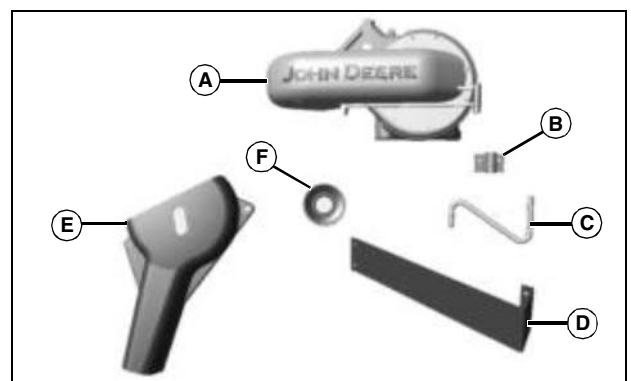


- Only qualified, trained adults should service this machine.
- Understand service procedure before doing work. Keep area clean and dry.
- Do not operate the engine in a confined space where dangerous carbon monoxide fumes can collect.
- Never lubricate, service or adjust the machine or attachment while it is moving. Keep safety devices in place and in working condition. Keep hardware tight.
- Keep hands, feet, clothing, jewelry, and long hair away from any moving parts, to prevent them from getting caught.
- Lower any attachment completely to the ground or to an existing attachment mechanical stop before servicing the attachment. Disengage all power and stop the engine. Lock park brake and remove the key. Let machine cool.
- Disconnect battery or remove spark plug wire (for gasoline engines) before making any repairs.
- Before servicing machine or attachment, carefully release pressure from any components with stored energy, such as hydraulic components and springs.
- Release hydraulic pressure by lowering attachment or cutting units to the ground or to a mechanical stop and move hydraulic control levers.

- Securely support any machine or attachment elements that must be raised for service work. Use jack stands or lock service latches to support components when needed.
- Never run engine unless park brake is locked.
- Keep all parts in good condition and properly installed. Fix damage immediately. Replace worn or broken parts. Replace all worn or damaged safety and instruction decals.
- Check all hardware at frequent intervals to be sure the equipment is in safe working condition.
- Do not modify machine or safety devices. Unauthorized modifications to the machine or attachment may impair its function and safety.

## Assembly

### Identify Parts POWER FLOW



MX12474

- A- POWER FLOW
- B- Front Mounting Bracket
- C- Front Support Rod
- D- Plate
- E- Blower Deck Belt Shield
- F- Double Sheave

### Bag Of Parts POWER FLOW

Qty.	Description
1	Front Mounting Bracket
4	Locknut, Hex Flanged, M10
4	Bolt, Hex Flanged, M10
2	Screw, Flanged
6	Bolt, Square Neck, M8x20
8	Locknut, Flanged, M8
4	Bolt, Hex Head, M6
4	Nut, Hex, M6
1	Deflector
1	Bracket
2	Screw, Hex Flanged, M6



**Suggest:**

**If the above button click is invalid.**

**Please download this document**

**first, and then click the above link**

**to download the complete manual.**

**Thank you so much for reading**

# ASSEMBLY

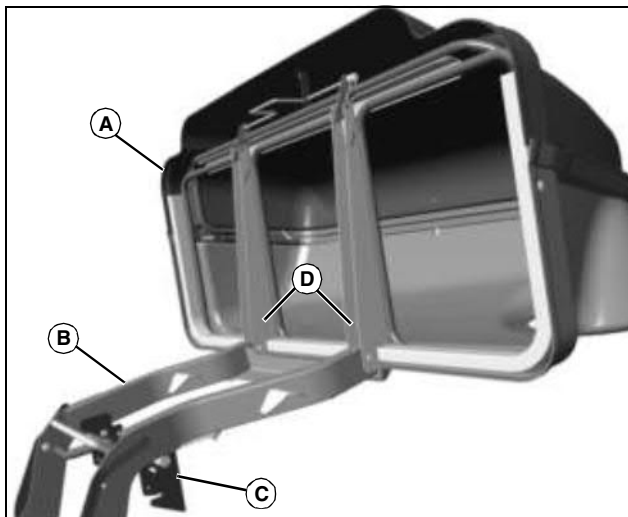
Qty.	Description
2	Locknut, Hex Flanged, M6
1	Deflector
1	Deflector Bracket
5	Weight
2	U-Bolt
4	Washer

## Bag Of Parts Rear Bagger

Qty.	Description
2	Spacer
2	Bolt, Square Neck, M8
2	Cotter Pin
4	Nut, Flange, M10
2	Locknut, Flange, M8
2	Locknut, Flange, M12
2	Bolt, Hex Flange, M12
2	Pin, Headed

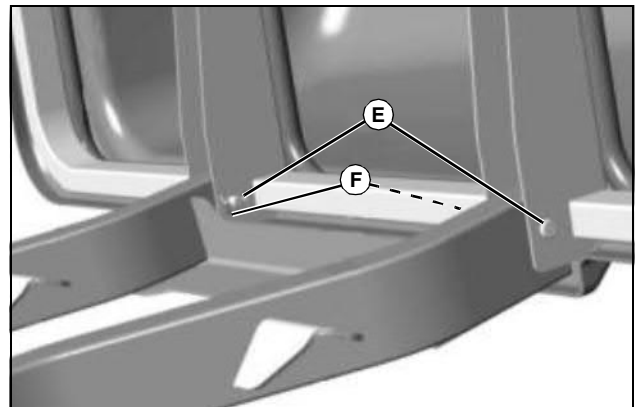
## Assemble Bagger

**IMPORTANT: Avoid damage! Allowing the hopper to contact abrasive surfaces can cause scratching.**



MX8432

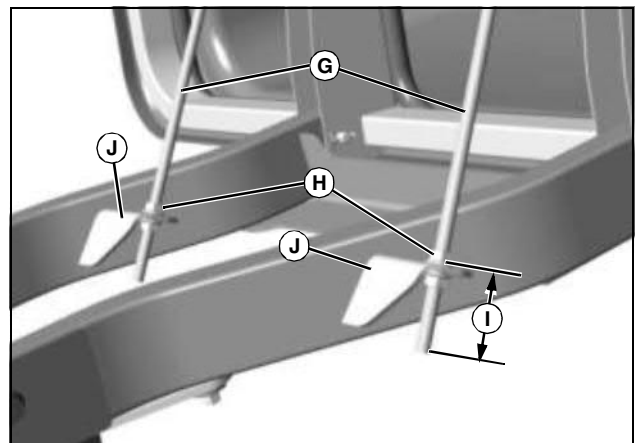
1. Place hopper (A) on a non-abrasive surface with the lid facing up.
2. Position frame (B) so latches (C) face downward.
3. Slide frame into bottom of hopper channel supports (D).



MX8433

4. Align holes in frame with holes in channel supports. Install two drilled pins (E) from outside of channel supports.

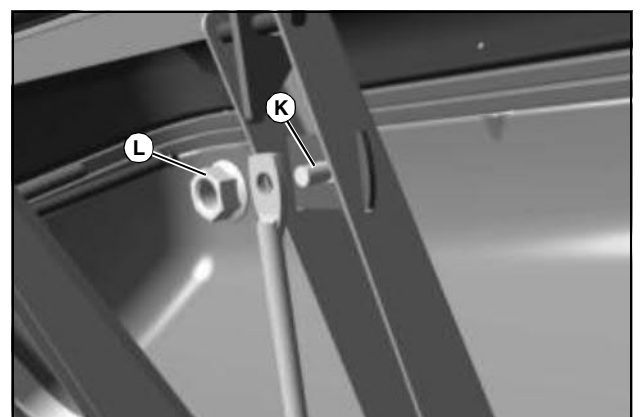
5. Install two cotter pins (F) into holes in drilled pins. Secure the cotter pins by bending the ends with a pliers.



MX8435

6. Obtain hopper support rods (G). Install one M10 flange nut (H) onto each rod so flange faces down toward threaded end of rod. Turn the nuts onto the rods a distance (I) of 40 mm (1-9/16 in.) from nut flange to bottom of threaded rod.

7. Insert the hopper support rods into brackets (J). Install one M10 flange nut onto each rod end so flange faces bracket. Do not tighten.



MX8434

8. Secure other end of each support rod to the hopper support channel using carriage bolt (K) and M8 flange nut (L). Tighten the nuts completely.