

JOHN DEERE
WORLDWIDE COMMERCIAL & CONSUMER
EQUIPMENT DIVISION

Cart
8Y

OMM162146 D0

OPERATOR'S MANUAL



JOHN DEERE

Original Instruction

All information, illustrations and specifications in this manual are based on the latest information at the time of publication. The right is reserved to make changes at any time without notice.

COPYRIGHT© 2010
Deere & Co.

John Deere Worldwide Commercial and Consumer Equipment Division

All rights reserved
Previous Editions
COPYRIGHT© 2009

North American Version
Litho in U.S.A.

PRODUCT IDENTIFICATION

Table of Contents

| | |
|-------------------------------|----|
| Product Identification..... | 1 |
| Safety Labels..... | 2 |
| Safety Labels..... | 3 |
| Safety | 3 |
| Assembly..... | 5 |
| Installing | 9 |
| Removing | 9 |
| Operating..... | 9 |
| Service | 11 |
| Getting Quality Service | 11 |

Product Identification

Product Compatibility

This utility cart is designed for use with lawn tractors and lawn and garden tractors.

Record Purchase Information

Record your purchase information in the spaces provided below.

DATE OF PURCHASE:

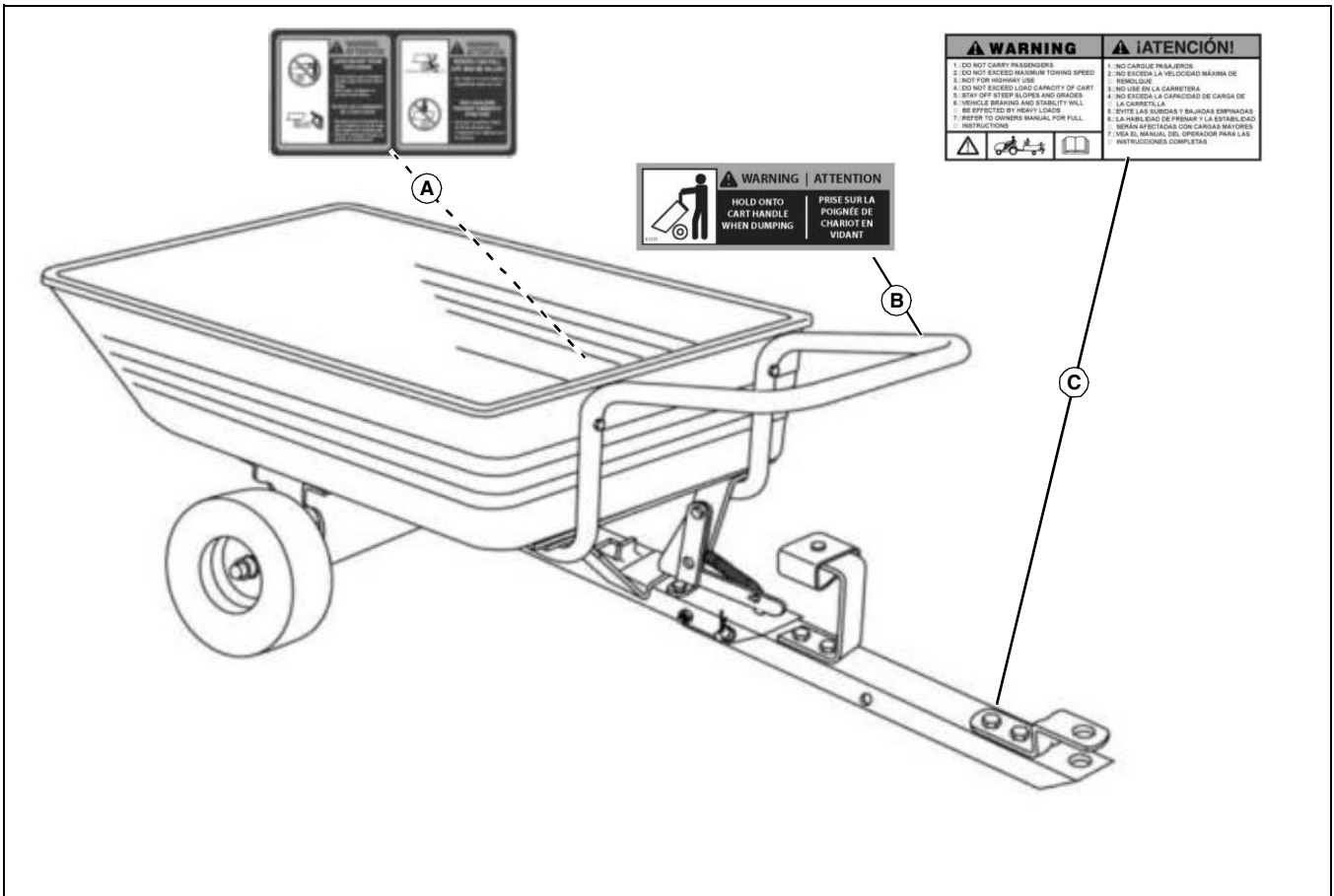
DEALER NAME:

DEALER PHONE:

SAFETY LABELS

Safety Label Location

Safety Labels



MX27735

Picture Note: Use label number listed in table below to locate complete text of safety label message following this illustration.

A- WARNING - 41274

B- WARNING - 41315

C- WARNING - 46991

<https://www.ebooklibonline.com>

Hello dear friend!

Thank you very much for reading.

Enter the link into your browser.

The full manual is available for immediate download.

<https://www.ebooklibonline.com>

<https://www.ebooklibonline.com>

Hello dear friend!

Thank you very much for reading.

Enter the link into your browser.

The full manual is available for immediate download.

<https://www.ebooklibonline.com>



Suggest:

If the above button click is invalid.

Please download this document

first, and then click the above link

to download the complete manual.

Thank you so much for reading

SAFETY LABELS

Safety Labels



Understanding The Machine Safety Labels

The machine safety labels shown in this section are placed in important areas on your machine to draw attention to potential safety hazards.

On your machine safety labels, the words DANGER, WARNING, and CAUTION are used with this safety-alert symbol. DANGER identifies the most serious hazards.

The operator's manual also explains any potential safety hazards whenever necessary in special safety messages that are identified with the word, CAUTION, and the safety-alert symbol.

There can be additional safety information contained on parts and components sourced from suppliers that is not reproduced in this operator's manual.

WARNING 41274

AVOID INJURY FROM EXPLOSION



41274B

- Do not place gas container inside cargo box bed when filling.
- Place gas container on ground when filling.

WARNING 41274

RIDERS CAN FALL OFF AND BE KILLED



41274C

- No riders in cart bed or anywhere else on cart.

WARNING 41315

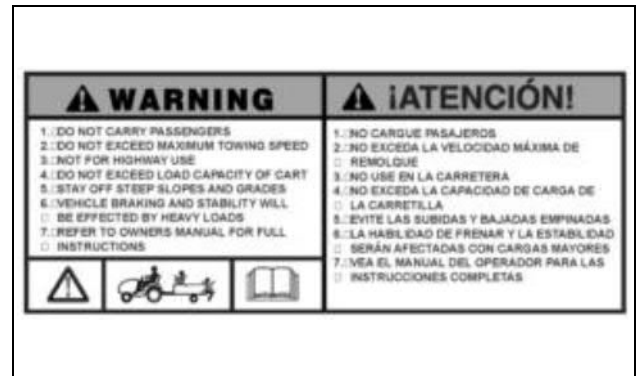


41315

- HOLD ONTO CART HANDLE WHEN DUMPING

WARNING 46991

RIDERS CAN FALL OFF AND BE KILLED



46991

- DO NOT CARRY PASSENGERS
- DO NOT EXCEED MAXIMUM TOWING SPEED
- NOT FOR HIGHWAY USE
- DO NOT EXCEED LOAD CAPACITY OF CART
- STAY OFF STEEP SLOPES AND GRADES
- VEHICLE BRAKING AND STABILITY WILL BE EFFECTED BY HEAVY LOADS
- REFER TO OWNER'S MANUAL FOR FULL INSTRUCTIONS

Safety

Read Safety in Machine Operator's Manual

Read the general safety operating precautions in your machine operator's manual for additional safety information.

Operate Safely

- This attachment is intended for use in lawn care and home applications. Do not tow behind a vehicle on a highway or in any high speed application. Do not tow at speeds higher than maximum recommended towing speed.
- Towing speed should always be slow enough to maintain control. Travel slowly over rough ground.