

JOHN DEERE
AG & TURF DIVISION

Utility Cart
7P

OMM162147 K1

OPERATOR'S MANUAL



JOHN DEERE

Original Instruction

All information, illustrations and specifications in this manual are based on the latest information at the time of publication. The right is reserved to make changes at any time without notice.

COPYRIGHT© 2011
Deere & Co.

John Deere Ag & Turf Division
All rights reserved
Previous Editions
COPYRIGHT© 2009, 2010

North American Version
Printed in U.S.A.

Product Identification

Table of Contents

Product Identification.....	1
Safety Labels.....	2
Safety	3
Assembly.....	4
Installing.....	9
Removing.....	9
Operating.....	10
Service	10
Specifications	10
Getting Quality Service	11

Product Identification

Product Compatibility

This utility cart is designed for use with lawn tractors and lawn and garden tractors.

Record Purchase Information

Record your purchase information in the spaces provided below.

DATE OF PURCHASE:

DEALER NAME:

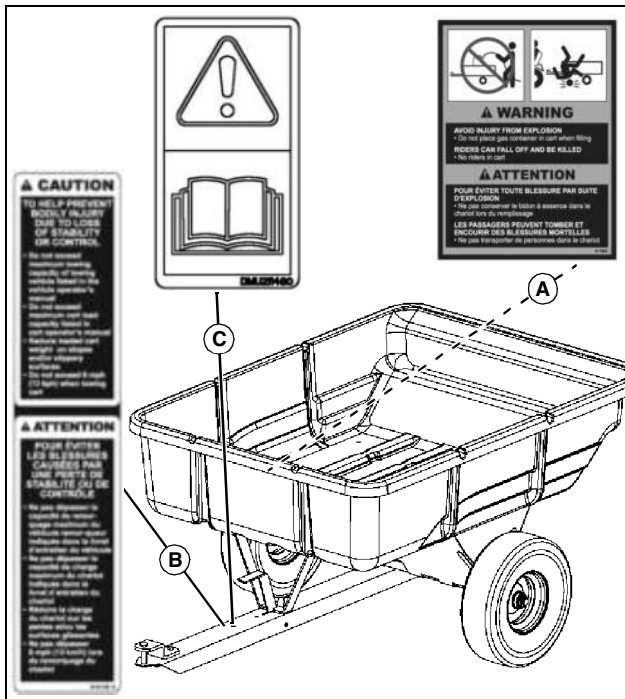
DEALER PHONE:

Safety Labels

WARNING B7084B

Safety Labels

Safety Label Location



MX47772, M151136B, B7084B, DMU211840

Picture Note: Cart without front pocket shown. Use label number listed in table below to locate complete text of safety label message following this illustration. No-text labels are required for certain regions of the world. Your cart may not be equipped with all these labels.

- A- WARNING - B7084B
- B- CAUTION - M151136
- C- WARNING - DMU211480



Understanding The Machine Safety Labels

The machine safety labels shown in this section are placed in important areas on your machine to draw attention to potential safety hazards.

On your machine safety labels, the words DANGER, WARNING, and CAUTION are used with this safety-alert symbol. DANGER identifies the most serious hazards.

The operator's manual also explains any potential safety hazards whenever necessary in special safety messages that are identified with the word, CAUTION, and the safety-alert symbol.

There can be additional safety information contained on parts and components sourced from suppliers that is not reproduced in this operator's manual.

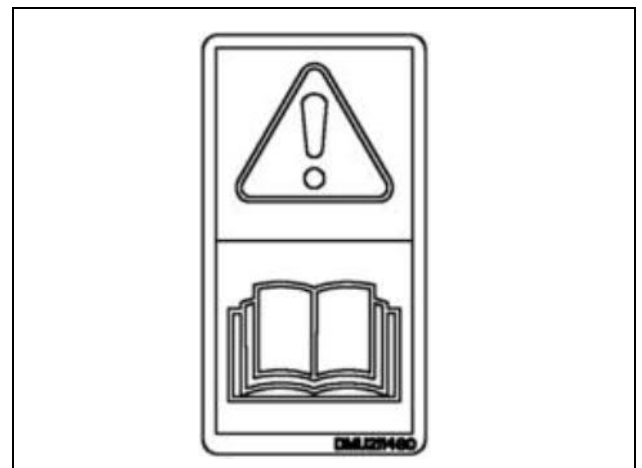


B7084B

AVOID INJURY FROM EXPLOSION

- Do not place gas container in cart when filling
- #### RIDERS CAN FALL OFF AND BE KILLED
- No riders in cart

Warning - DMU211480



DMU211480

This operator's manual contains important information necessary for safe machine operation. Observe all safety rules to avoid accidents.

<https://www.ebooklibonline.com>

Hello dear friend!

Thank you very much for reading.

Enter the link into your browser.

The full manual is available for immediate download.

<https://www.ebooklibonline.com>

<https://www.ebooklibonline.com>

Hello dear friend!

Thank you very much for reading.

Enter the link into your browser.

The full manual is available for immediate download.

<https://www.ebooklibonline.com>



Suggest:

If the above button click is invalid.

Please download this document

first, and then click the above link

to download the complete manual.

Thank you so much for reading