

JOHN DEERE
AG & TURF DIVISION

Rear Bagger
7-Bushel

OMM154285 I2

OPERATOR'S MANUAL



JOHN DEERE

Original Instruction

All information, illustrations and specifications in this manual are based on the latest information at the time of publication. The right is reserved to make changes at any time without notice.

COPYRIGHT© 2012

Deere & Co.

**John Deere Worldwide Commercial and
Consumer Equipment Division**

All rights reserved

Previous Editions

COPYRIGHT©

North American Version

Printed in U.S.A.

INTRODUCTION

Table of Contents

Introduction.....	1
Product Identification.....	1
Safety Labels.....	2
Safety.....	4
Preparing Vehicle.....	5
Installing.....	5
Removing and Storing.....	11
Operating.....	13
Service.....	15
Troubleshooting.....	16
Specifications.....	16
Getting Quality Service.....	16

Introduction

Using Your Operator's Manual

Read this entire operator's manual, especially the safety information, before operating.

This manual is an important part of your machine. Keep all manuals in a convenient location so they can be accessed easily.

Use the safety and operating information in the attachment operator's manual, along with the machine operator's manual, to operate and service the attachment safely and correctly.

If your attachment manual has a section called Preparing the Machine, it means that you will have to do something to your tractor or vehicle before you can install the attachment. The Assembly and Installation sections of this manual provide information to assemble and install the attachment to your tractor or vehicle. Use the Service section to make any needed adjustments and routine service to your attachment.

If you have any questions or concerns with the assembly, installation, or operation of this attachment, see your local John Deere dealer or call the John Deere Customer Contact Center at 1-800-537-8233 for assistance.

Warranty information on this John Deere attachment can be found in the warranty that came with your John Deere tractor or vehicle.

Product Identification

Product Compatibility

7-Bushel Bagger

This 7-Bushel Rear Bagger system is compatible with X300 Select Series and X500 Select Series Tractors.

Record Purchase Information

Record your purchase information in the spaces provided below.

DATE OF PURCHASE:

DEALER NAME:

DEALER PHONE:

Register Your Product and Warranty Online

To register your product through the Internet, simply go to www.JohnDeereWarrantyRegistration.com. Completing the information, either online or with the product warranty card, will ensure the customer that their product receives all post sales service and important product information.

SAFETY LABELS

Safety Labels



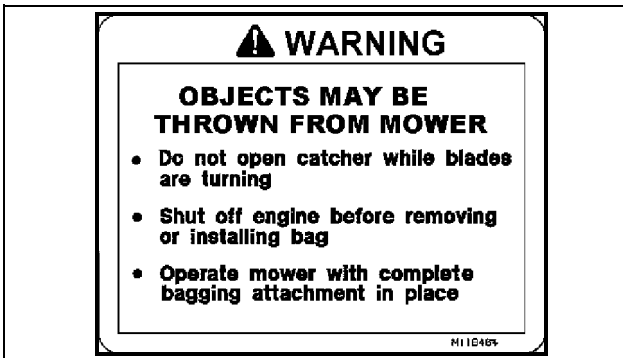
Understanding The Machine Safety Labels

The machine safety labels shown in this section are placed in important areas on your machine to draw attention to potential safety hazards.

On your machine safety labels, the words DANGER, WARNING, and CAUTION are used with this safety-alert symbol. DANGER identifies the most serious hazards.

The operator's manual also explains any potential safety hazards whenever necessary in special safety messages that are identified with the word, CAUTION, and the safety-alert symbol.

WARNING



M118464

Objects May Be Thrown from Mower

- Do not open catcher while blades are turning.
- Shut off engine before removing or installing bag.
- Operate mower with complete bagging attachment in place.

WARNING

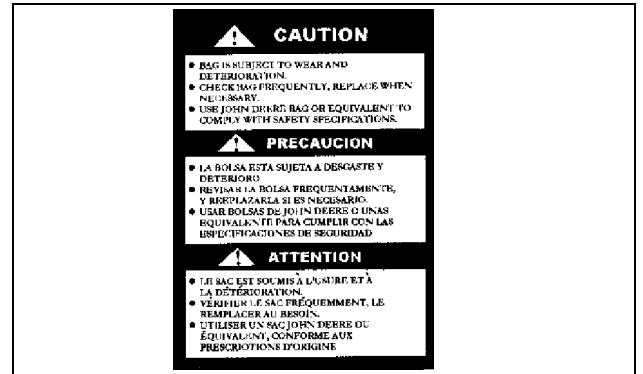
Thrown Objects



M118223

- Do not operate mower without chutes and hoses securely in place.

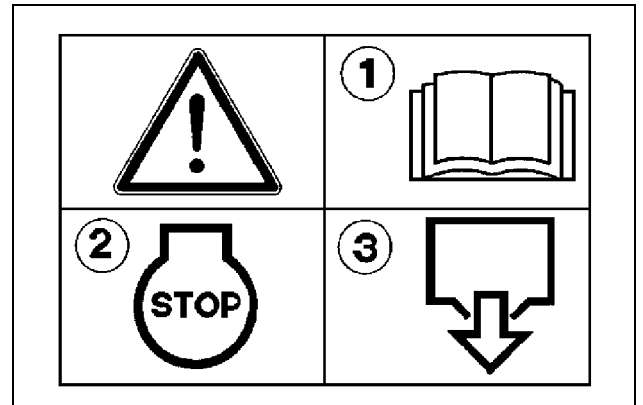
CAUTION



GC00215

- Bag is subject to wear and deterioration.
- Check bag frequently and replace when necessary.
- Use John Deere bag or equivalent to comply with safety specifications.

M122118 Warning

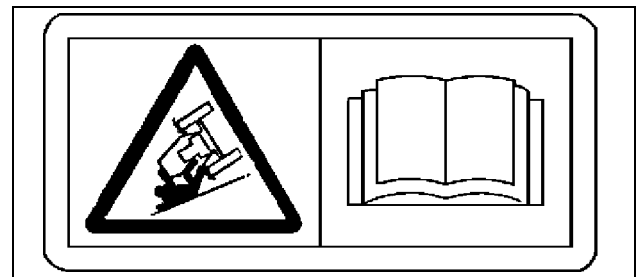


M122118

- Read operator's manual.
 - The operator's manual contains important information necessary for safe machine operation. Observe all safety rules to avoid accidents.
- Shut off mower before emptying grass bag.
- Bag is subject to wear and deterioration. Check bag frequently; replace when necessary.
- Use a John Deere bag or equivalent to comply with safety specifications.

M122119 Warning

Avoid Injury From Tipping



M122119

- Do not drive where machine could slip or tip.

<https://www.ebooklibonline.com>

Hello dear friend!

Thank you very much for reading.

Enter the link into your browser.

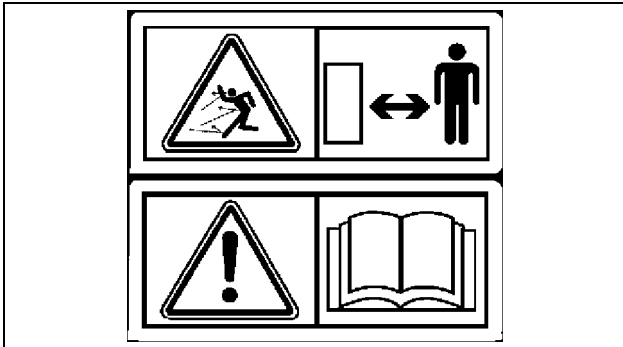
The full manual is available for immediate download.

<https://www.ebooklibonline.com>

SAFETY LABELS

- See operator's manual for required ballast to maintain steering control and stability.

M129037 Warning



M129037

Avoid Injury From Thrown Objects

- Operator mower with complete bagging attachments in place.
- Do not open catcher while blades are turning.
- Shut off engine before removing or installing bag
- Keep bystanders away while engine is running.

Read Operator's Manual

- The operator's manual contains important information necessary for safe machine operation. Observe all safety rules to avoid accidents.

M149489 Warning



M149489

- Do not put hands or feet under or into mower when engine is running.
- Keep away from rotating parts. Do not open or remove safety shields while engine is running. Operate blower with entire grass catcher secured in place.
- Thrown Objects - Before mowing, clear area of objects that may be thrown by blade. Do not operate mower without discharge chute or entire grass catcher in place.
- Stay a safe distance from machine.
- Read operator's manual.

SAFETY

Safety

Read Safety in Machine Operator's Manual

Read the general safety operating precautions in your machine operator's manual for additional safety information.

Operating Safely

Read, understand and follow all instructions in this attachment manual, the machine operator's manual and safety signs on equipment before starting.

Use proper front ballast. Remove ballast when the material collection system is removed.

Hopper extends beyond machine. Be aware of surrounding objects when making short turns.

Do not operate material collection system unless entire grass catcher is fastened in place with hopper cover securely latched.

Do not let anyone ride on the mower or material collection system. Riders are subject to injury such as being struck by foreign objects or being thrown off. Riders may obstruct the operator's view and cause a collision.

Before bag removal or installation:

- Stop mower.
- Disengage mower or PTO.
- Stop engine and remove key.
- Wait for engine and all moving parts to stop before leaving the operator seat.

Before backing up machine:

- Stop machine.
- Look behind hopper for children.
- Keep bystanders away when unloading material collection system.

Operate safely on slopes:

- Empty bags when they are half full.
- Do not operate on steep slopes.
- Before turning, slow down.
- Avoid sudden starts and stops.
- Do not park machine with material collection system on slopes.

Bag and Hose Maintenance:

- Bag and hose are subject to wear and deterioration.
- Check bag and hose frequently; replace when necessary.
- Use John Deere bag and hose or equivalent to comply with safety specifications.
- Do not leave clippings in bags overnight.

Parking Safely

1. Stop machine on a level surface, not on a slope.
2. Disengage mower blades or any other attachments.
3. Lower attachments to the ground.
4. Lock the park brake.
5. Stop the engine.
6. Remove the key.
7. Wait for engine and all moving parts to stop before you leave the

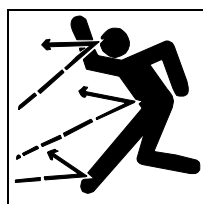
operator's seat.

8. Close fuel shut-off valve, if your machine is equipped.

9. Disconnect the negative battery cable or remove the spark plug wire(s) (for gasoline engines) before servicing the machine.

Protect Children

- Tragic accidents can occur if the operator is not alert to the presence of children. Keep children indoors when the machine and attachment are operated and under the watchful care of another responsible adult.
- Never assume that children will remain where you last saw them. Stay alert to the presence of children. Turn the machine off if a child enters the work area.
- Do not let children or an untrained person operate the machine.
- Do not carry or let children ride on any attachment or machine even with the attachment off. Do not tow children in a cart or trailer.



Avoid Injury From Thrown Objects

- When operating the vehicle with the MCS attachment installed make sure all chutes and hoses are securely in place. Keep hopper closed or MCS in operating position.
- Stop the engine and wait for all moving parts to stop before removing or lifting any attachment components.

• Avoid injury from impeller blades and thrown objects. Remove attachment when operating vehicle in side discharge mode. Make sure deflector shield is in place on mower deck if attachment is removed.



Avoid Injury From Rotating Blades

- Keep hands and feet away from rotating blades and blower assembly when engine is running.

• Stop engine and wait for moving parts to stop before servicing components.

• Do not operate MCS or blower unless all attachment components are in place and latched.

Practice Safe Maintenance

- Only qualified, trained adults should service this machine.
- Understand service procedure before doing work. Keep area clean and dry.
- Do not operate the engine in a confined space where dangerous carbon monoxide fumes can collect.
- Never lubricate, service or adjust the machine or attachment while it is moving. Keep safety devices in place and in working condition. Keep hardware tight.
- Keep hands, feet, clothing, jewelry, and long hair away from any moving parts, to prevent them from getting caught.
- Lower any attachment completely to the ground or to an existing attachment mechanical stop before servicing the attachment. Disengage all power and stop the engine. Lock park brake and remove the key. Let machine cool.
- Disconnect battery or remove spark plug wire (for gasoline engines) before making any repairs.
- Before servicing machine or attachment, carefully release pressure from any components with stored energy, such as hydraulic components and

PREPARING VEHICLE

springs.

- Release hydraulic pressure by lowering attachment or cutting units to the ground or to a mechanical stop and move hydraulic control levers.
- Securely support any machine or attachment elements that must be raised for service work. Use jack stands or lock service latches to support components when needed.
- Never run engine unless park brake is locked.
- Keep all parts in good condition and properly installed. Fix damage immediately. Replace worn or broken parts. Replace all worn or damaged safety and instruction decals.
- Check all hardware at frequent intervals to be sure the equipment is in safe working condition.
- Do not modify machine or safety devices. Unauthorized modifications to the machine or attachment may impair its function and safety.

Preparing Vehicle

Remove Mulch Kit



CAUTION: Avoid injury! Mower blades are sharp. Always wear gloves when handling mower blades or working near blades.

The Mulch Kit is not compatible with the installation of the 7-Bushel Rear Bagger and 7-Bushel Power Flow systems. If a Mulch Kit is installed on the mower, it must be removed along with the mulch plug, attaching hardware and mulching blades.

Install Proper Mower Blades



CAUTION: Avoid injury! Mower blades are sharp. Always wear gloves when handling mower blades or working near blades.

IMPORTANT: Avoid damage!

- **When replacing mower blades, always use genuine John Deere service parts.**
- **For best performance, always use correct mower blade for job being performed.**
- **Always follow safety and service instructions in the machine operator's manual when changing mower blades.**

For maximum bagging performance, install the correct blades for mower. If machine has a 7-Bushel Rear Bagger that was shipped with mower blades, these blades must be used when bagging. If special blades were not included, determine the correct blades for machine application as follows:

38-Inch Mower Decks

Low Lift Blades

- Do not use for bagging.
- Recommended for side discharging.
- For dusty or dirty conditions.

Medium Lift Blades

- Louder blade with good air flow.
- Standard blade shipped with mower.
- For bagging an average strand of grass regularly with 7-bushel rear bagger or 7-bushel power flow.
- For cutting thicker grass without a material collection system.

High Lift Blades

- For bagging hard to pick up material such as pine needles with 7-bushel rear bagger.
- Not recommended for mowing without 7-bushel rear bagger attached.
- Loudest blade with maximum air flow.

Mulching Blades

- Not to be used with material collection system; not enough air flow.
- To be used only with mulching kit.

42C Mower Decks

Medium Lift Blades

- Standard blade shipped with mower.
- For normal cutting applications without a material collection system.
- For bagging an average strand of grass regularly with a material collection system.
- Louder blade with good air flow.

High Lift Blades

- For bagging hard to pick up material such as pine needles with 7-bushel rear bagger.
- Not recommended for mowing without bagger.
- Loudest blade with maximum air flow.

Mulching Blades

- Not to be used with material collection system; not enough air flow.
- To be used only with mulching kit; not to be used with material collection system.

48C Mower Decks

- **Standard Blades:** There is only a standard design mower blade available for these mowers. This blade is designed for all mowing applications, except for mulching.
- **Mulching Blades:** Not to be used with material collection system; not enough air flow. Should be used only with the optional mulch kit.

54C Mower Decks

- **Standard Blades:** This blade is designed for all mowing applications, except for mulching.
- **Mulching Blades:** Not to be used with material collection system; not enough air flow. Should be used only with the optional mulch kit.

Install Mower Lip Sections

Optional bolt-on lip sections provide various advantages when bagging. Lip Kits are not available for all mower models. See your John Deere dealer for availability.

Installing

Park Machine Safely

INSTALLING

1. Stop machine on a level surface, not on a slope.
2. Disengage Power Take-Off (PTO).
3. Lower attachments to the ground.
4. Lock the park brake.
5. Stop the engine.
6. Remove the key.
7. Wait for engine and all moving parts to stop before you leave the operator's seat.
8. Close fuel shut-off valve, if your machine is equipped.

Installing Proper Ballast



CAUTION: Avoid injury! Operating with a grasscatcher or other attachment can affect stability on a slope. Use front weights on your tractor if necessary

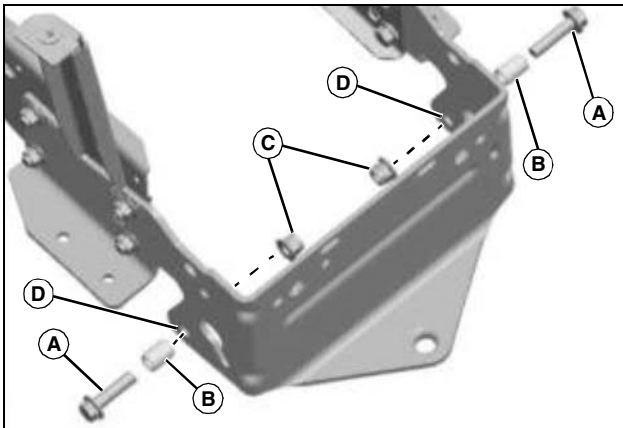
When the attachment is removed, also remove any ballast that was added to the machine.

Use only attachments and accessories recommended by the manufacturer.

NOTE: Ballast is extra weight that can be added to the machine to provide additional stability. Typical ballast for your machine may be wheel weights or suitcase weights. See your authorized service center for recommended weights on your machine.

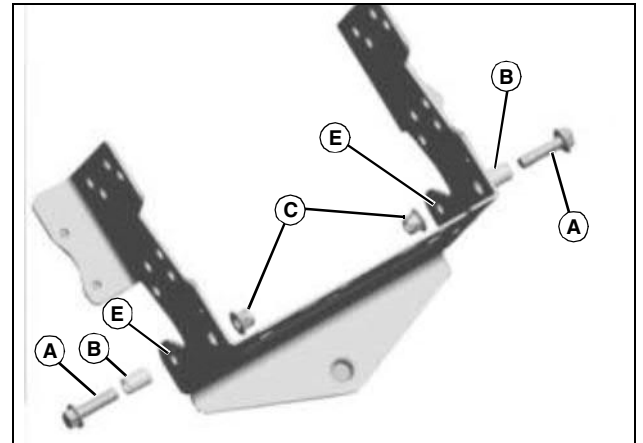
Install the proper front ballast to help counter-balance the total weight of the bagger. Remove ballast when the bagger is removed. This will ensure proper operation of the machine when not bagging.

Install Mounting Frames for the X300/X500 Select Series



MX36505

X500 Select Series Tractors: Use hole (D).



MX36506

X300 Select Series: Use hole (E).

NOTE: For easier installation, always secure receiver frame to machine before installing H-frame.

Install two M12 x 50 bolts (A) and spacers (B) at specified hole in rear frame for your tractor model. Secure with M12 locknuts (C). Tighten nuts completely.



Suggest:

If the above button click is invalid.

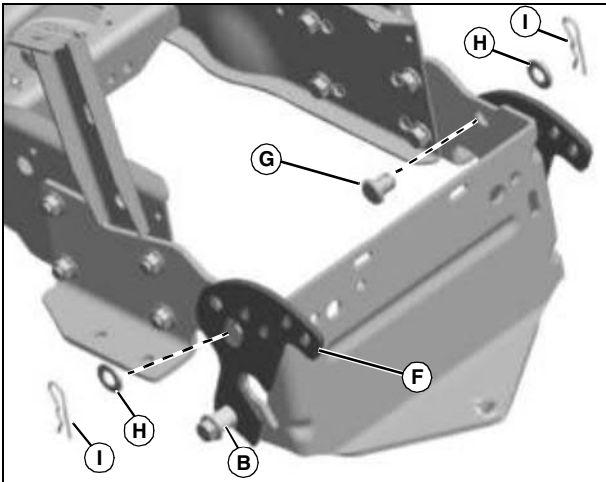
Please download this document

first, and then click the above link

to download the complete manual.

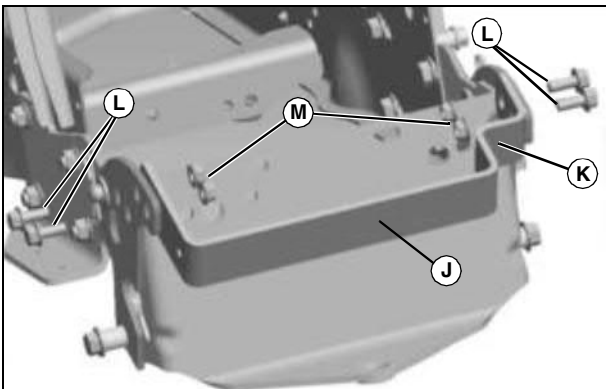
Thank you so much for reading

INSTALLING



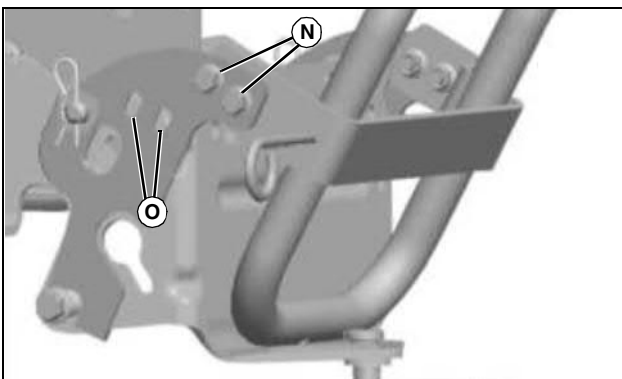
MX36504

1. Position notched end of side mounting bracket (F) over spacers (B).
2. From inside of rear frame, install two 16mm clevis pins (G) through holes in bracket. Secure with M13x24x2.5 flat washers (H) and two thick spring locking pins (I).



MX36502

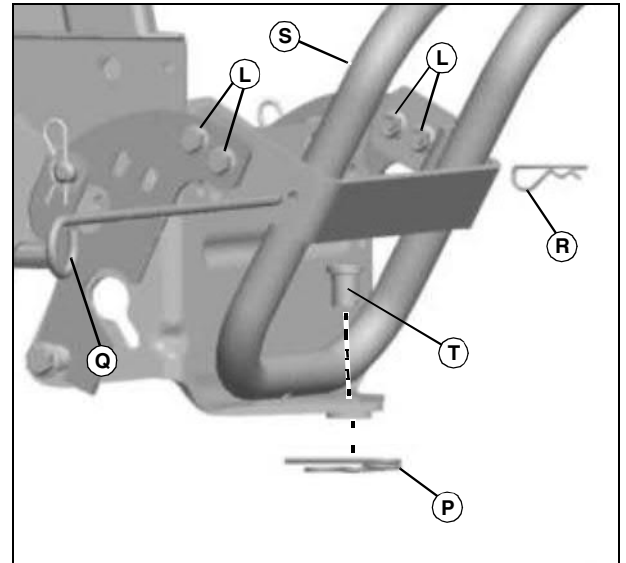
3. Position receiver frame (J) between side mounting brackets so angle (K) is at right side of tractor. Secure receiver to brackets with four M10 x 25 bolts (H) and M10 nuts (M). Do not tighten completely.



MX36503

Picture Note: X500 Select Series attachment location shown.

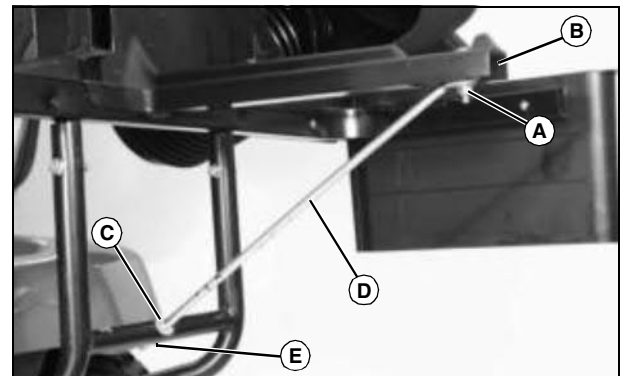
- Use slots (N) when installing bagger on a X500 Select Series tractor
- Use Slots (O) when installing bagger on a LX, GT or GX tractor and X300 Series Select tractor.



MX36501

4. Place H-frame (S) into receiver frame and install 19mm clevis pin (T) through hole in hitch plate. Secure with large spring locking pin (P).
5. Align holes in H-frame with holes in receiver frame. Install bagger pin (Q) and secure with thin spring locking pin (R).
6. Tighten M10 hardware (L) completely on both sides of receiver frame to secure the side mounting brackets.

Install Hopper



MX1539a

1. Remove pre assembled hardware (A) from hopper center frame support (B).
2. Put two M10.5 x 30 x 2.5 flat washers (C) onto gusset rod (D).
3. Insert threaded end of gusset rod (D) through hole in H-frame. Secure with M10 locknut (E).
4. Align hopper support tubes (F) with H-frame (G). Set hopper assembly onto H-frame.

<https://www.ebooklibonline.com>

Hello dear friend!

Thank you very much for reading.

Enter the link into your browser.

The full manual is available for immediate download.

<https://www.ebooklibonline.com>