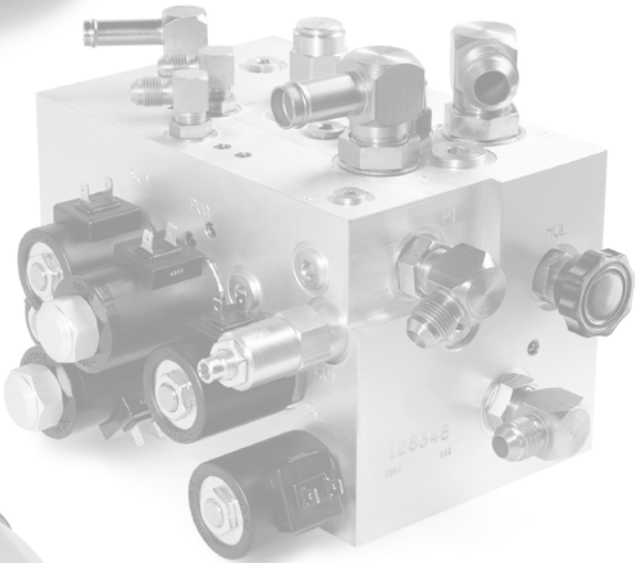




# GPC 3000 SERIES PARTS MANUAL



Order Number: 812738-006  
Revision: A • Printed in Germany



# ***TABLE OF CONTENTS***



## TABLE OF CONTENTS

<b>INTRODUCTION</b>	<b>PAGE</b>	<b>SERIAL NO. CUT</b>	<b>REV.</b>
<b>Important customer information</b> .....	<b>3</b>		
Subsequent Attachments and Modifications made to the Truck	3		
Ordering Spare Parts .....	3		
Using the Manual .....	3		
<b>Models</b> .....	<b>4</b>		
<b>COVERS</b>	<b>PAGE</b>	<b>SERIAL NO. CUT</b>	<b>REV.</b>
<b>Covers Part 1 - 4</b> .....	<b>6</b>		
<b>Covers Part 2 - 4</b> .....	<b>8</b>		
<b>Covers Part 2 - 4</b> .....	<b>10</b>		
<b>Covers Part 3 - 4</b> .....	<b>12</b>		
<b>Covers Part 4 - 4</b> .....	<b>14</b>		
<b>Retractable Step</b> .....	<b>16</b>		
<b>Battery Compartment</b> .....	<b>18</b>		
<b>Caster Assembly</b> .....	<b>20</b>		
<b>Load Wheel</b> .....	<b>22</b>		
<b>Load Wheel GPC 3045</b> .....	<b>24</b>		
<b>Load Wheel GPC 3055</b> .....	<b>26</b>		
<b>HYDRAULIC SYSTEM</b>	<b>PAGE</b>	<b>SERIAL NO. CUT</b>	<b>REV.</b>
<b>Tube and Hose Layout GPC 3020 / GPC 3040 / GPC 3060</b> ..	<b>30</b>		
<b>Tube and Hose Layout GPC 3045 / GPC 3055</b> .....	<b>32</b>		
<b>Tube and Hose Layout mit Plattformhub</b> .....	<b>34</b>		
<b>Pump Motor and Pump GPC 3020 / GPC 3040</b> .....	<b>36</b>		
<b>Pump Motor and Pump GPC 3045 / GPC 3055 / GPC 3060</b> ..	<b>38</b>		
<b>Pump Motor and Pump with Platform</b> .....	<b>40</b>		
<b>DRIVE UNIT</b>	<b>PAGE</b>	<b>SERIAL NO. CUT</b>	<b>REV.</b>
<b>Drive Unit up to Serial No.</b> .....	<b>44</b>	<b>5A404045</b>	
<b>Drive Unit from Serial No.</b> .....	<b>46</b>	<b>5A404046</b>	
<b>Gear Unit up to Serial No.</b> .....	<b>48</b>	<b>5A404045</b>	
<b>Gear Unit from Serial No.</b> .....	<b>50</b>	<b>5A404046</b>	
<b>Drive Motor</b> .....	<b>52</b>		
<b>ELECTRICAL SYSTEM</b>	<b>PAGE</b>	<b>SERIAL NO. CUT</b>	<b>REV.</b>
<b>Connector Housing and Connectors</b> .....	<b>56</b>		
<b>Electrics Part 1 - 2</b> .....	<b>58</b>		
<b>Electrics Part 2 - 2</b> .....	<b>60</b>		
<b>Contactors</b> .....	<b>62</b>		
<b>Control Handle Part 1 - 3</b> .....	<b>64</b>		
<b>Control Handle Part 2 - 3</b> .....	<b>66</b>		
<b>Control Handle Part 3 - 3</b> .....	<b>68</b>		
<b>Switch, PPCS</b> .....	<b>70</b>		
<b>Switch, PPCS / Switch, Lift and Lower</b> .....	<b>72</b>		
<b>Switch, Platform</b> .....	<b>74</b>		
<b>Position Switch GPC 3055</b> .....	<b>76</b>		
<b>Emergency Disconnect &amp; Battery Connector</b> .....	<b>78</b>		
<b>Dashboard</b> .....	<b>80</b>		

**<https://www.ebooklibonline.com>**

Hello dear friend!

Thank you very much for reading.

Enter the link into your browser.

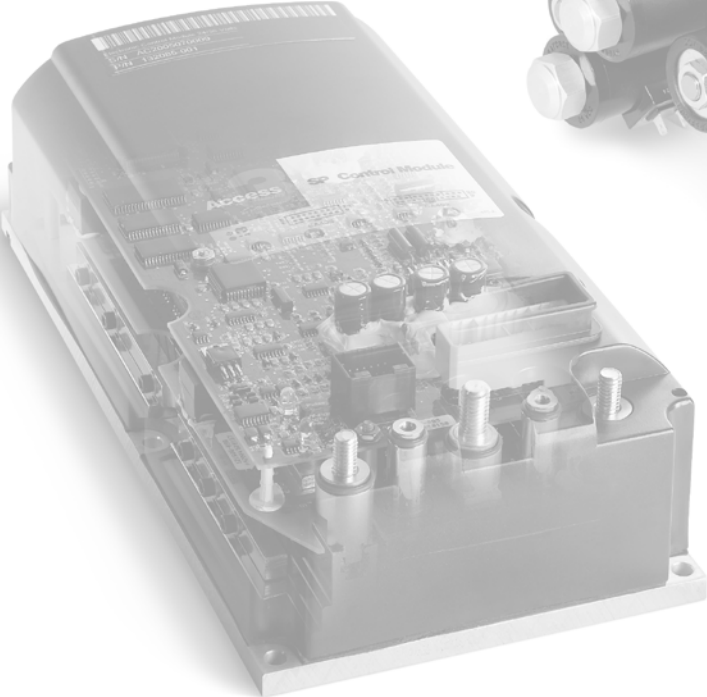
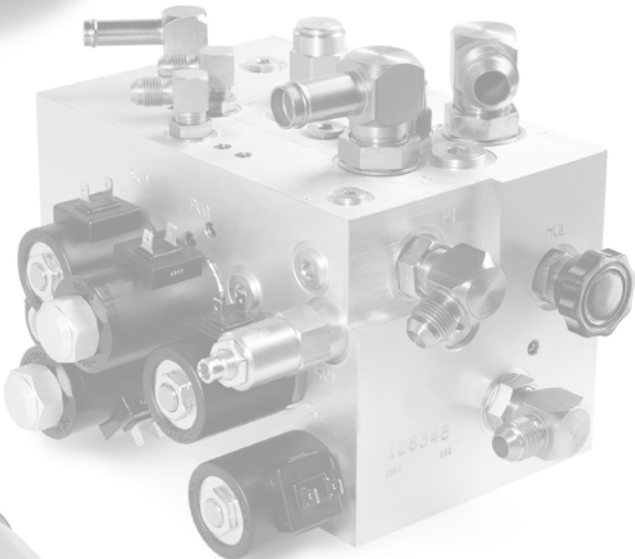
The full manual is available for immediate download.

**<https://www.ebooklibonline.com>**

# TABLE OF CONTENTS



	PAGE	SERIAL NO. CUT	REV.
<b>BRAKE SYSTEM</b>			
Brake .....	84		
<b>STEERING</b>	<b>PAGE</b>	<b>SERIAL NO. CUT</b>	<b>REV.</b>
Steer Unit .....	88		
<b>LIFTING MECHANISM</b>	<b>PAGE</b>	<b>SERIAL NO. CUT</b>	<b>REV.</b>
Mast GPC 3045 / GPC 3055 .....	92		
Lifting Mechanism GPC 3020 / GPC 3040 / GPC 3060 .....	94		
Lifting Mechanism GPC 3020 / GPC 3040 / GPC 3060 .....	96		
Lifting Mechanism GPC 3055 .....	98		
Fork Carriage GPC 3020 / GPC 3040 / GPC 3060 .....	100		
Fork Carriage GPC 3020 / GPC 3040 / GPC 3060 .....	102		
Fork Carriage GPC 3020 / GPC 3040 / GPC 3060 .....	104		
Fork Carriage GPC 3020 / GPC 3040 / GPC 3060 .....	106		
Fork Carriage GPC 3020 / GPC 3040 / GPC 3060 .....	108		
Fork Carriage GPC 3045 .....	110		
Fork Carriage GPC 3060 .....	112		
Gas Pressure Spring GPC 3020 / GPC 3040 / GPC 3060 ..	114		
Load Backrest GPC 3040 / GPC 3060 .....	116		
Load Backrest Hand Guard GPC 3040 / GPC 3060 .....	118		
Load Backrest Hand Guard GPC 3040 / GPC 3060 .....	120		
Load Backrest GPC 3045 .....	122		
Load Backrest GPC 3055 .....	124		
Pulley GPC 3045 .....	126		
Pulley GPC 3055 .....	128		
<b>CYLINDERS</b>	<b>PAGE</b>	<b>SERIAL NO. CUT</b>	<b>REV.</b>
Lift Cylinder GPC 3020 / GPC 3040 / GPC 3060 Part 1 -2 ...	132		
Lift Cylinder GPC 3020 / GPC 3040 / GPC 3060 Part 2 -2 ...	134		
Lift Cylinder GPC 3045 .....	136		
Lift Cylinder GPC 3055 .....	138		
Platform Cylinder .....	140		
<b>PLATFORM</b>	<b>PAGE</b>	<b>SERIAL NO. CUT</b>	<b>REV.</b>
Floor Assembly .....	144		
Knee and Back Padding .....	146		
Side Pocket and Handle, Backrest .....	148		
Covers GPC 3045 / GPC 3055 .....	150		
Grab Handle, Backrest .....	152		
Platform. Part 1 - 3 .....	154		
Platform. Part 2 - 3 .....	156		
Platform. Part 3 - 3 .....	158		
<b>MISCELLANEOUS</b>	<b>PAGE</b>	<b>SERIAL NO. CUT</b>	<b>REV.</b>
Labels and Decals .....	162		



# ***INTRODUCTION***

---

### Important customer information

To ensure the safety of the truck, you, the customer, must only carry out maintenance and repairs as stipulated in the operator manual.

Any additional work must be performed by Crown authorised service technicians. Authorised service technicians have the required expertise and up-to-date service information.

If you wish to have your own technicians trained, please contact Crown for relevant training courses.

### Subsequent Attachments and Modifications made to the Truck



#### DANGER

*Any proposed modification which would alter the original condition of the truck when delivered, must first be assessed and approved in writing by Crown Gabelstapler GmbH.*

- *The net weight and position of attachments may considerably affect the capacity and other truck characteristics.*
- *Changing the electrical system or adding electrically operated components may result in operating faults.*

*Modifications which have not been assessed may result in fatal accidents!*

### Ordering Spare Parts

The maintenance manual does not cover spare parts. These are listed in a separate parts manual.

Spare parts can be ordered by quoting:

- The truck specification number
- The truck model number

The truck serial number This information can be found on the truck's data plate. Only if this information is provided can the order be processed quickly, correctly and reliably.

Please refer to the Technical Specifications Sheet for the utilisable loads, technical data and dimensions for

this series. Brochures can be obtained from your CROWN dealer or from the following address:

CROWN Gabelstapler GmbH & Co.KG  
Moosacher Str. 52  
80809 Munich  
GERMANY

Tel.: +49 (0)89 / 93 002 -0  
Fax: +49 (0)89 / 93 002 -175 or133

### Using the Manual

The manual is divided into chapters. The following table shows how the manual is structured.

Manual Structure	
Chapter	Content
ITD	Introduction
1	Covers
2	Hydraulic System
3	Drive Unit
4	Electrical System
5	Brake System
6	Steering
7	Lifting Mechanism
8	Cylinders
9	Platform
10	Miscellaneous

## Models

Describes the following models:

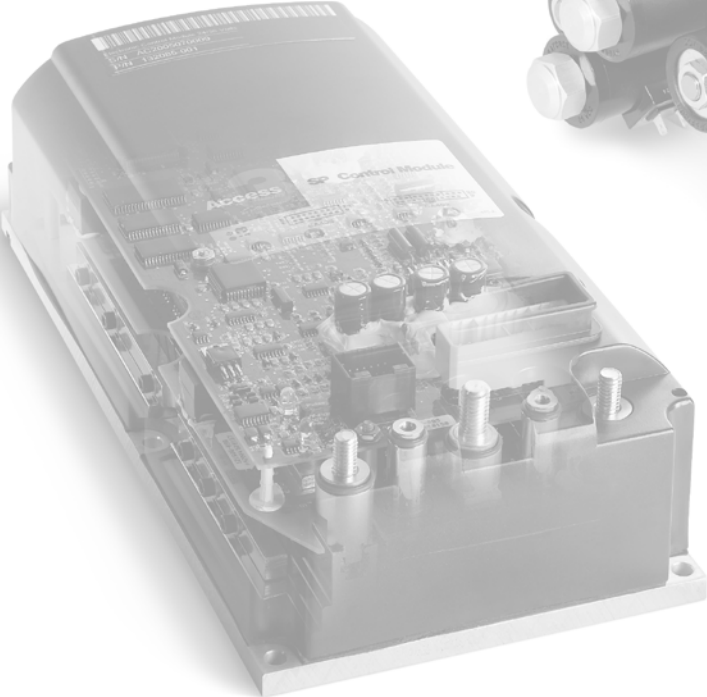
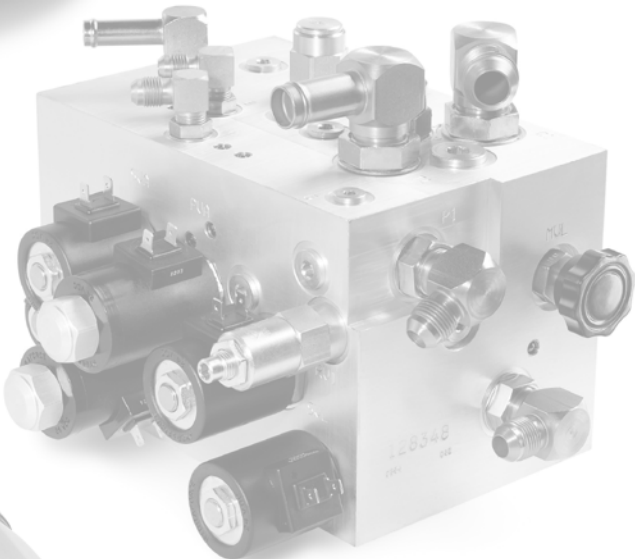
**GPC 3020**

**GPC 3040**

**GPC 3045**

**GPC 3055**

**GPC 3060**

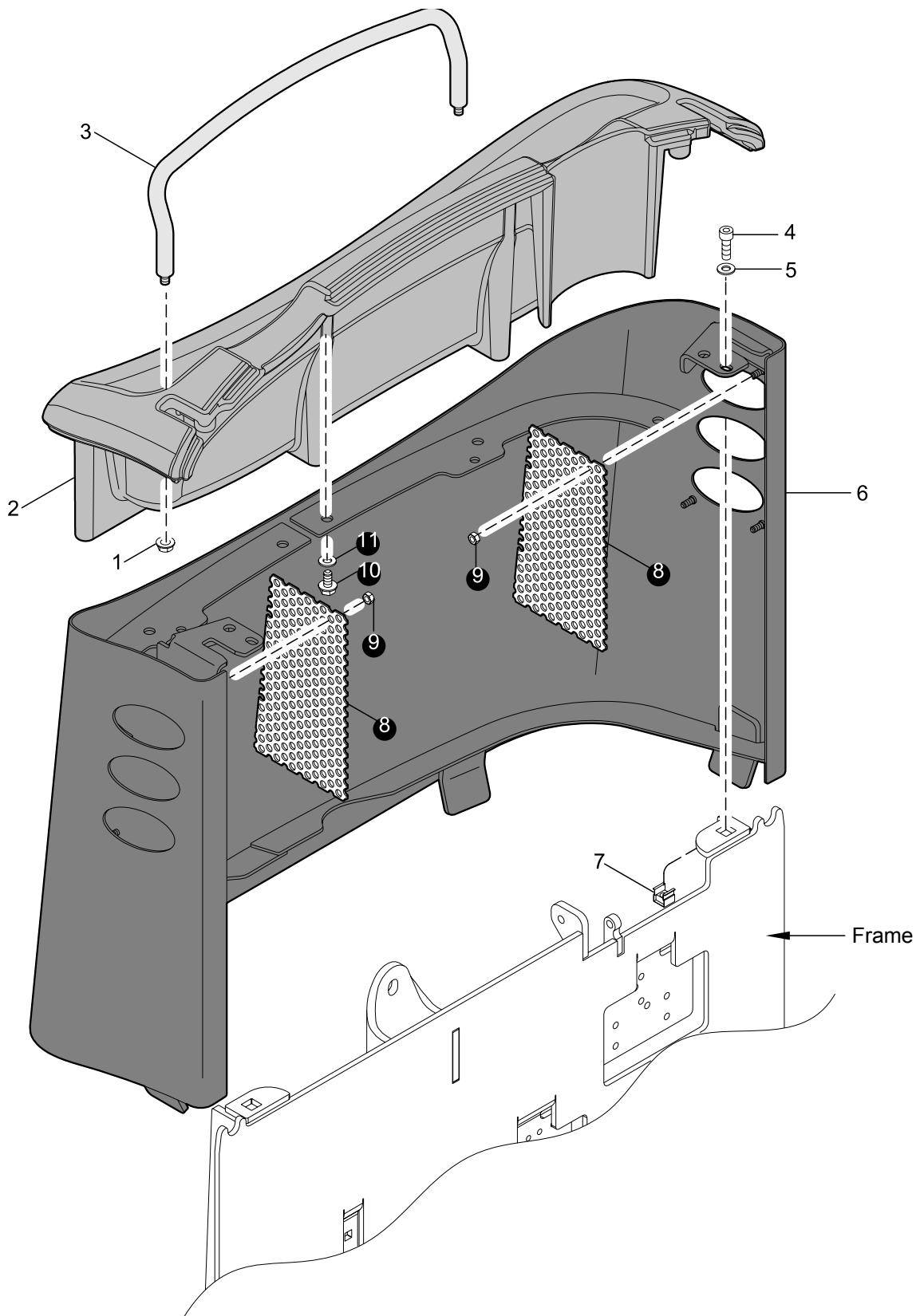


# COVERS



# COVERS

## Covers Part 1 - 4



GPC001

GPC 3000



# COVERS

## Covers Part 1 - 4

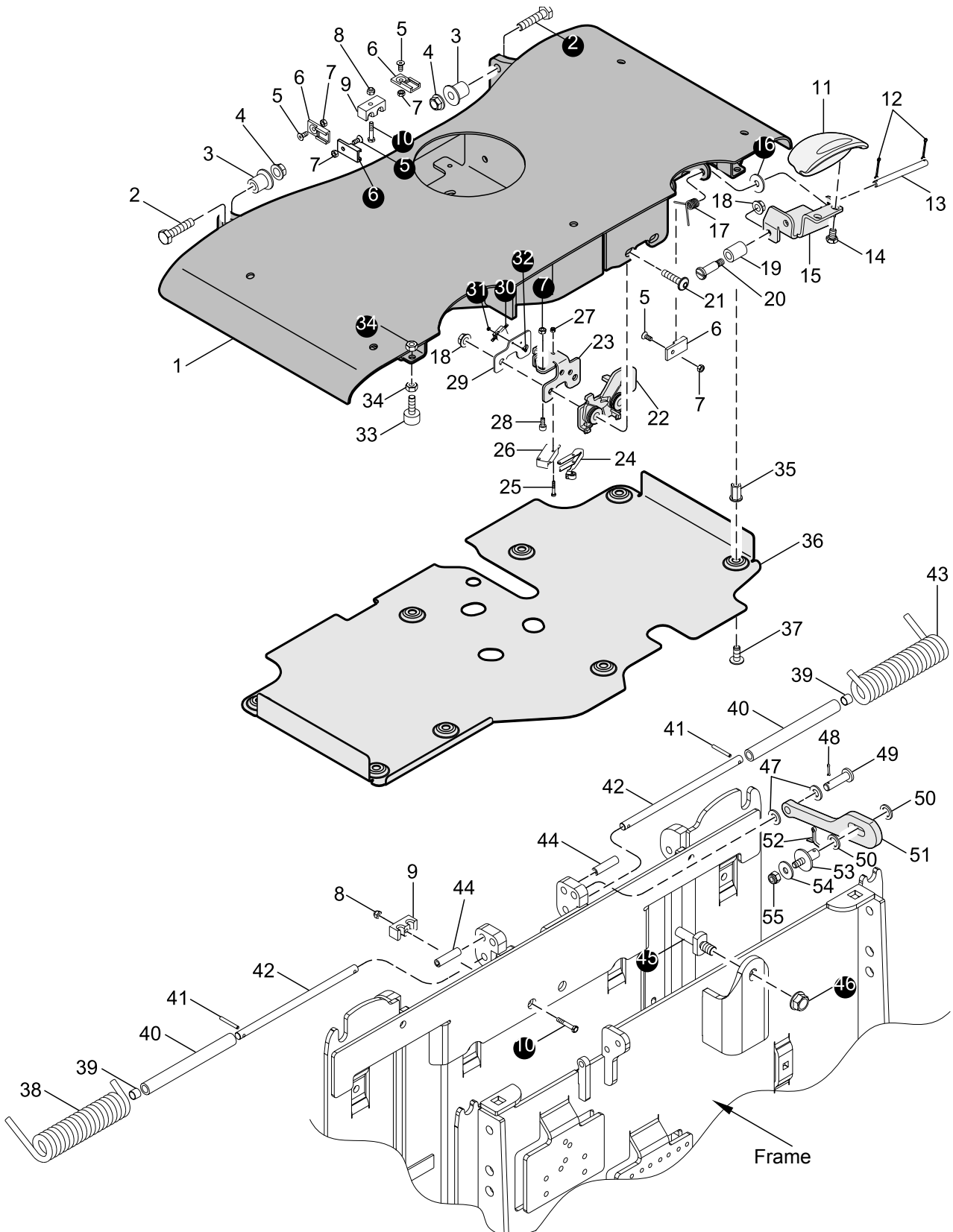
INDEX	PART NUMBER	PART NAME	NUMBER REQUIRED
1	050068-003	Nut	2
2	818398	Cover	1
	055053-004	Dummy Plug (3020 only)	2
3	818648	Bracket	1
4	050005-024	Screw	2
5	050009-018	Washer	2
6	818377-001	Cover	1
7	804863-007	Speed Nut	2
8	818390	Screen	2
9	050008-015	Nut	8
10	050067-022	Screw	8
11	050009-018	Washer	8
	818387-001	Covers (complete/including 1 - 3, 6, 8 - 11)	1
	818387-002	Covers (3020/complete/including 2, 6, 8 - 11)	1

\* To select appropriate part number, refer to truck data number.  
The truck data number represents truck features.  
Refer to Introduction.

**Always Specify Model, Data & Serial Number**

# COVERS

## Covers Part 2 - 4



GPC003

GPC 3000



# COVERS

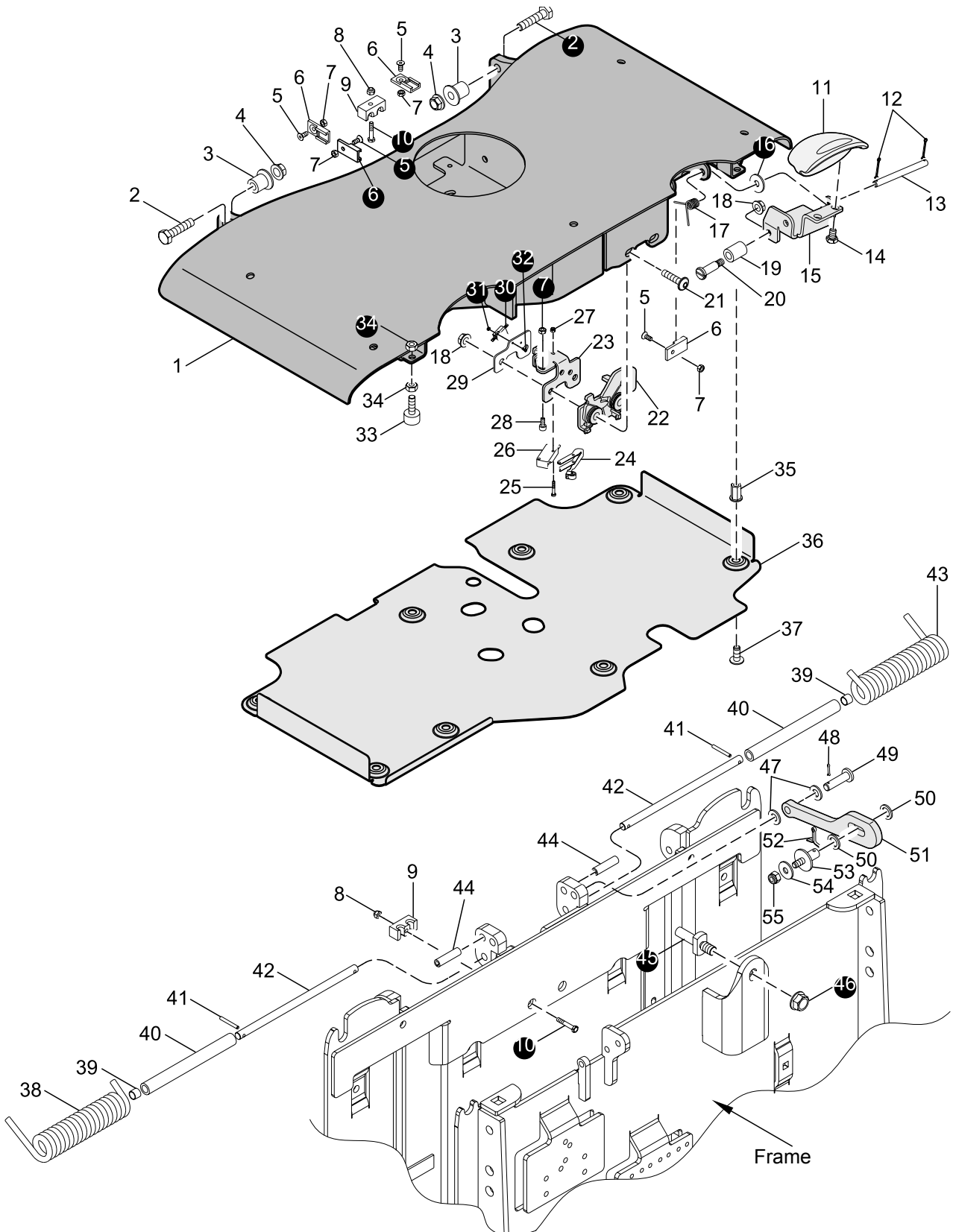
## Covers Part 2 - 4

INDEX	PART NUMBER	PART NAME	NUMBER REQUIRED
1	819304-001	Battery Lid	1
	819304-002	Battery Lid (3020/3040)	1
2	050007-034	Screw	AR
3	819840	Bushing	AR
4	050068-004	Nut	AR
5	050003-012	Screw	4
6	793288	Bracket	4
7	050008-008	Nut	5
8	050008-010	Nut	2
9	803559-006	Terminal	2
10	050006-009	Screw	2
11	818776	Battery Lid Latch	1
12	050001-004	Cotter Pin	2
13	818775	Shaft	1
	050009-017	Washer	AR
14	050006-031	Screw	2
15	818774	Bezel	1
16	050009-056	Washer	2
17	051064-007	Spring	1
18	050068-003	Nut	3
19	819269	Bushing	1
20	050072-007	Screw	1
21	050071-038	Screw	2
22	818772	Lock	1
23	819834	Bracket	1
24	803310	Switch Actuator	1
25	050004-034	Screw	2
26	820075-001	Switch	1
27	050008-002	Nut	2
28	050005-004	Screw	1
29	820046	Plate (Cold Store/Corrosion)	1
30	820639-001	Heating Resistor (Cold Store/Corrosion)	1
31	050008-011	Nut (Cold Store/Corrosion)	2
32	050004-042	Screw (Cold Store/Corrosion)	2
33	055058-009	Buffer	2
34	050008-024	Nut	4
35	050078-012	Tapered Nut	AR
36	819839-001	Cover	1
	819839-002	Cover (3020/3040)	1
37	050071-037	Screw	AR
38	819844-002	Spring	1
39	051058-011	Bearing	2
40	819838	Bushing	2
41	050000-095	Pin Dowel	2
42	819356	Axle	2
43	819844-001	Spring	1
44	050000-093	Pin	AR
45	819286	Screw	1
46	050068-005	Nut	1
47	050009-063	Washer	2

Always Specify Model, Data & Serial Number

# COVERS

## Covers Part 2 - 4



GPC003

GPC 3000



INDEX	PART NUMBER	PART NAME	NUMBER REQUIRED
48	050001-013	Cotter Pin	1
49	819290	Pin	1
50	050009-030	Washer	2
51	819285	Stop Piece	1
52	050001-021	Cotter Pin	1
53	819289	Stop	1
54	050009-020	Washer	1
55	050008-021	Nut	1

**Not shown**

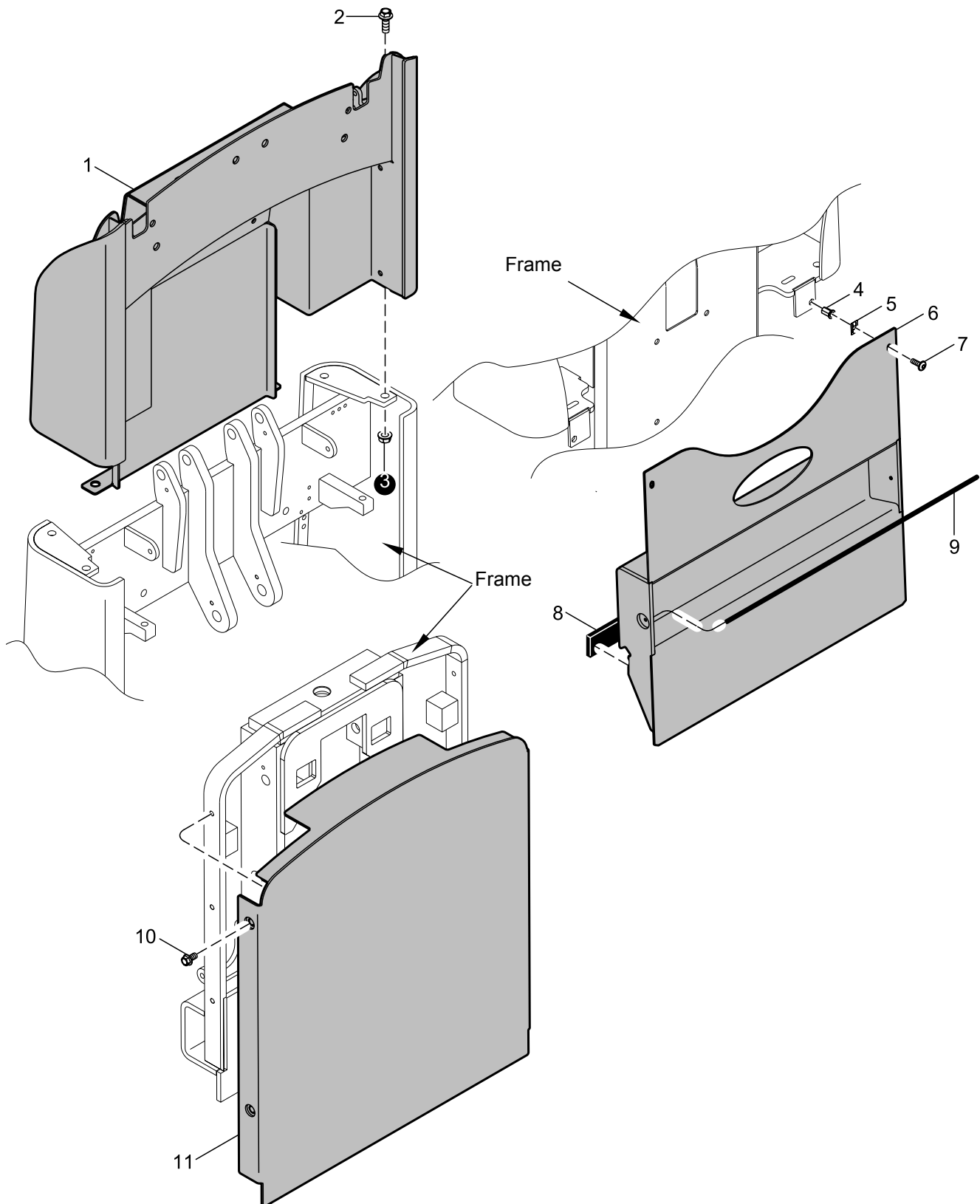
050006-008	Screw (for wire harness attachment)	1
050008-008	Nut (for wire harness attachment)	1
051051-011	Tie Cable	2

\* To select appropriate part number, refer to truck data number.  
The truck data number represents truck features.  
Refer to Introduction.

**Always Specify Model, Data & Serial Number**

# COVERS

## Covers Part 3 - 4



GPC002

GPC 3000



# COVERS

## Covers Part 3 - 4

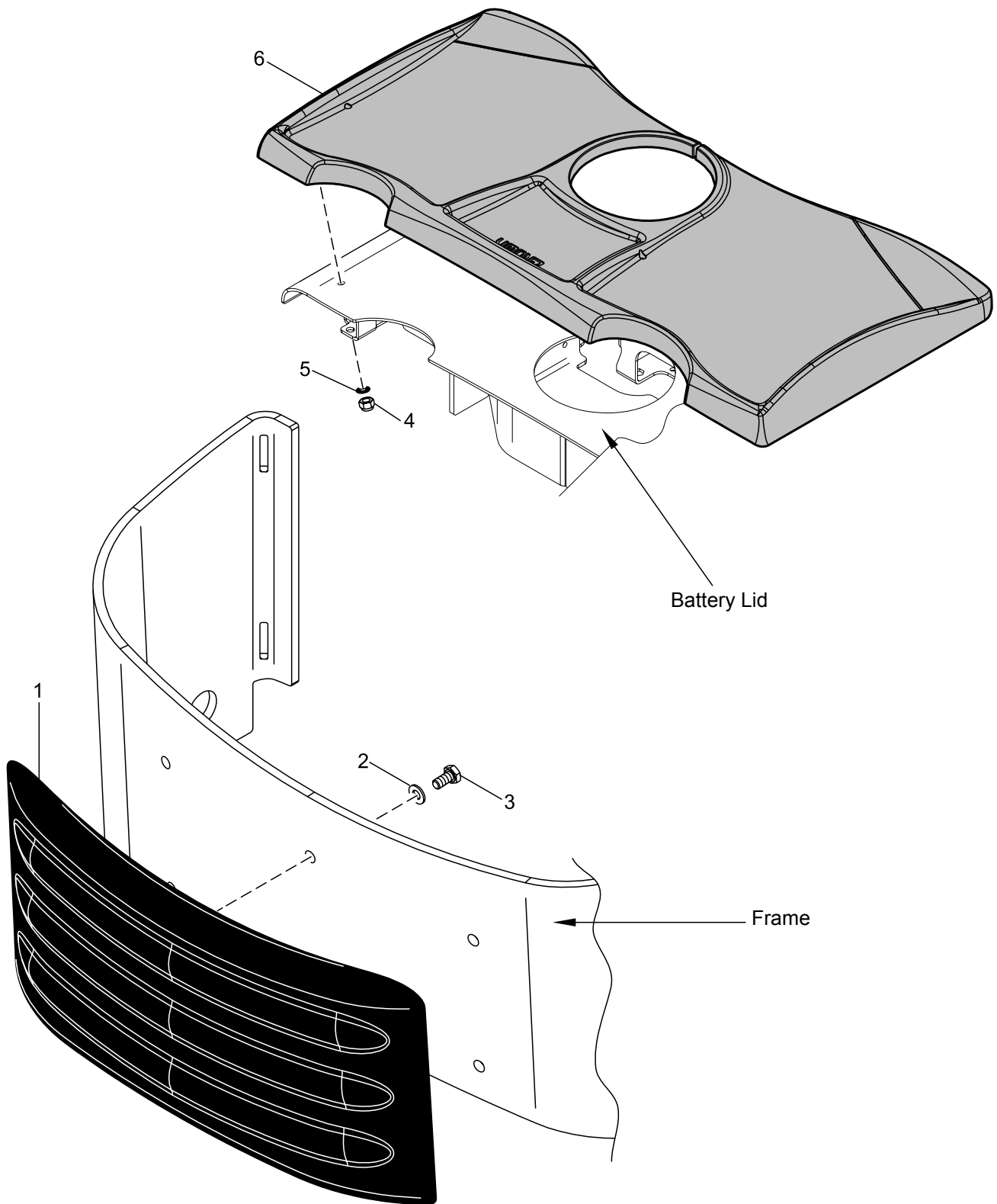
INDEX	PART NUMBER	PART NAME	NUMBER REQUIRED
1	820508-001	Cover (Without Seat)	1
	820508-002	Cover (With Seat)	1
	821256	Cover (3020)	1
2	050067-045	Screw	4
3	050068-005	Nut	4
4	050078-012	Tapered Nut	6
5	050073-003	Spring Nut	2
	050009-017	Washer	AR
	050009-018	Washer	AR
6	821035	Cover	1
	821039	Cover (3020)	1
7	050071-036	Screw	2
8	053050-027	Adhesive Tape	2
9	804834-004	Rubber Cord	1
10	050067-033	Screw	4
11	820451	Cover	1

\* To select appropriate part number, refer to truck data number.  
The truck data number represents truck features.  
Refer to Introduction.

**Always Specify Model, Data & Serial Number**

# COVERS

## Covers Part 4 - 4



GPC065

GPC 3000



# COVERS

## Covers Part 4 - 4

---

INDEX	PART NUMBER	PART NAME	NUMBER REQUIRED
1	818674	Bumper	1
2	050009-026	Washer	6
3	050006-050	Nut	6
4	050008-021	Nut	5
5	050009-018	Washer	5
6	818672	Writing Board	1
	804834-004	Rubber Cord	1

Always Specify Model, Data & Serial Number

---

GPC 3000



**Suggest:**

**If the above button click is invalid.**

**Please download this document**

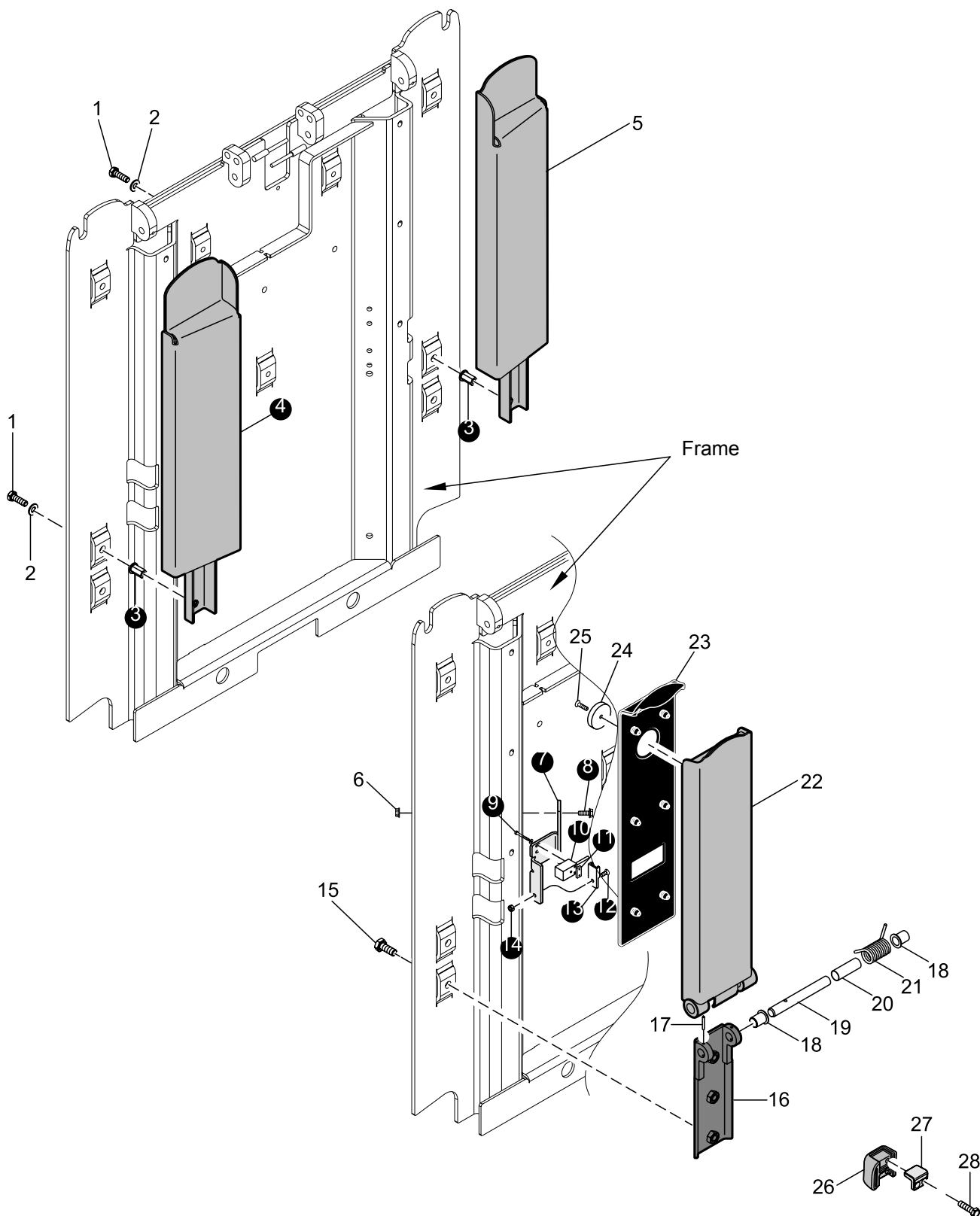
**first, and then click the above link**

**to download the complete manual.**

**Thank you so much for reading**

# COVERS

## Retractable Step



GPC004

GPC 3000

**<https://www.ebooklibonline.com>**

Hello dear friend!

Thank you very much for reading.

Enter the link into your browser.

The full manual is available for immediate download.

**<https://www.ebooklibonline.com>**