



PARTS MANUAL

GPC2000 SL SERIES





TABLE OF CONTENT

Table of Content

INTRODUCTION	PAGE	SERIAL NR. CUT	REV.
General	3		
COVERS	PAGE	SERIAL NR. CUT	REV.
Covers	6, 8, 10		
Castor Wheel	12		
Load Wheel	14		
HYDRAULIC	PAGE	SERIAL NR. CUT	REV.
Tube-/Hose Layout	18, 20		
Pump Motor and Pump	22		
DRIVE UNIT	PAGE	SERIAL NR. CUT	REV.
Drive Unite	26		
Gearbox	28, 30		
Drive Motor	32		
Knuckel	34, 36		
ELECTRIC	PAGE	SERIAL NR. CUT	REV.
Contacteur Panel	40		
Steering Controller GPC2040S	42		
Drive Board	44		
Contacteur/Traction	46		
Contacteur/Pump	48		
Quick Pic GPC2040S	50		
Accelerator Switch GPC2040S	52		
Lift/Lower and Horn GPC2040S	54		
Control Handle	56		
Handle	58, 60		
Foot Brake	62		
Platform	64		
Switch	66		
Battery Connector/Emergency Disconnecter	68		
Dash Board	70		
Steer Indicator GPC2040S	72		
BRAKE SYSTEM	PAGE	SERIAL NR. CUT	REV.
Brake	76		
STEERING	PAGE	SERIAL NR. CUT	REV.
Steering GPC2040S	80		
Steer Motor GPC2040S	82		
Steering GPC2040S	84, 86		
Steering Column	88		
MAST-/LIFT STRUCTURE	PAGE	SERIAL NR. CUT	REV.
Lift Structure	92		
Guard Rail	94		
Yoke	96		
CYLINDER	PAGE	SERIAL NR. CUT	REV.
Lift Cylinder	100		
Free Lift Cylinder	102		

<https://www.ebooklibonline.com>

Hello dear friend!

Thank you very much for reading.

Enter the link into your browser.

The full manual is available for immediate download.

<https://www.ebooklibonline.com>

CABIN/PLATFORM	PAGE	SERIAL NR. CUT	REV.
Platform	106, 108, 110		

MISCELLANEOUS SERVICE INF.	PAGE	SERIAL NR. CUT	REV.
Labels and Decals	114		



INTRODUCTION

Important customer information

To ensure the safety of the truck, you, the customer, must only carry out maintenance and repairs as stipulated in the operator manual.

Any additional work must be performed by Crown authorised service technicians. Authorised service technicians have the required expertise and up-to-date service information.

If you wish to have your own technicians trained, please contact Crown for relevant training courses.

Subsequent Attachments and Modifications made to the Truck

DANGER!



Any proposed modification which would alter the original condition of the truck when delivered, must first be assessed and approved in writing by Crown Gabelstapler GmbH.

- *The net weight and position of attachments may considerably affect the capacity and other truck characteristics.*
- *Changing the electrical system or adding electrically operated components may result in operating faults.*

Modifications which have not been assessed may result in fatal accidents!

Ordering Spare Parts

Spare parts can be ordered by quoting:

- The truck specification number
- The truck model number
- The truck serial number

This information can be found on the truck's data plate. Only if this information is provided can the order be processed quickly, correctly and reliably.

Please refer to the Technical Specifications Sheet for the utilisable loads, technical data and dimensions for this series. Brochures can be obtained from your CROWN dealer or from the following address:

CROWN Gabelstapler GmbH & CoKG
Moosacher Str. 52
80809 Munich
GERMANY
Tel.: +49 (0)89 / 93 002 -0
Fax: +49 (0)89 / 93 002 -175 oder 133

Model-Number

This manual describes the maintenance and repairs for the following truck versions:

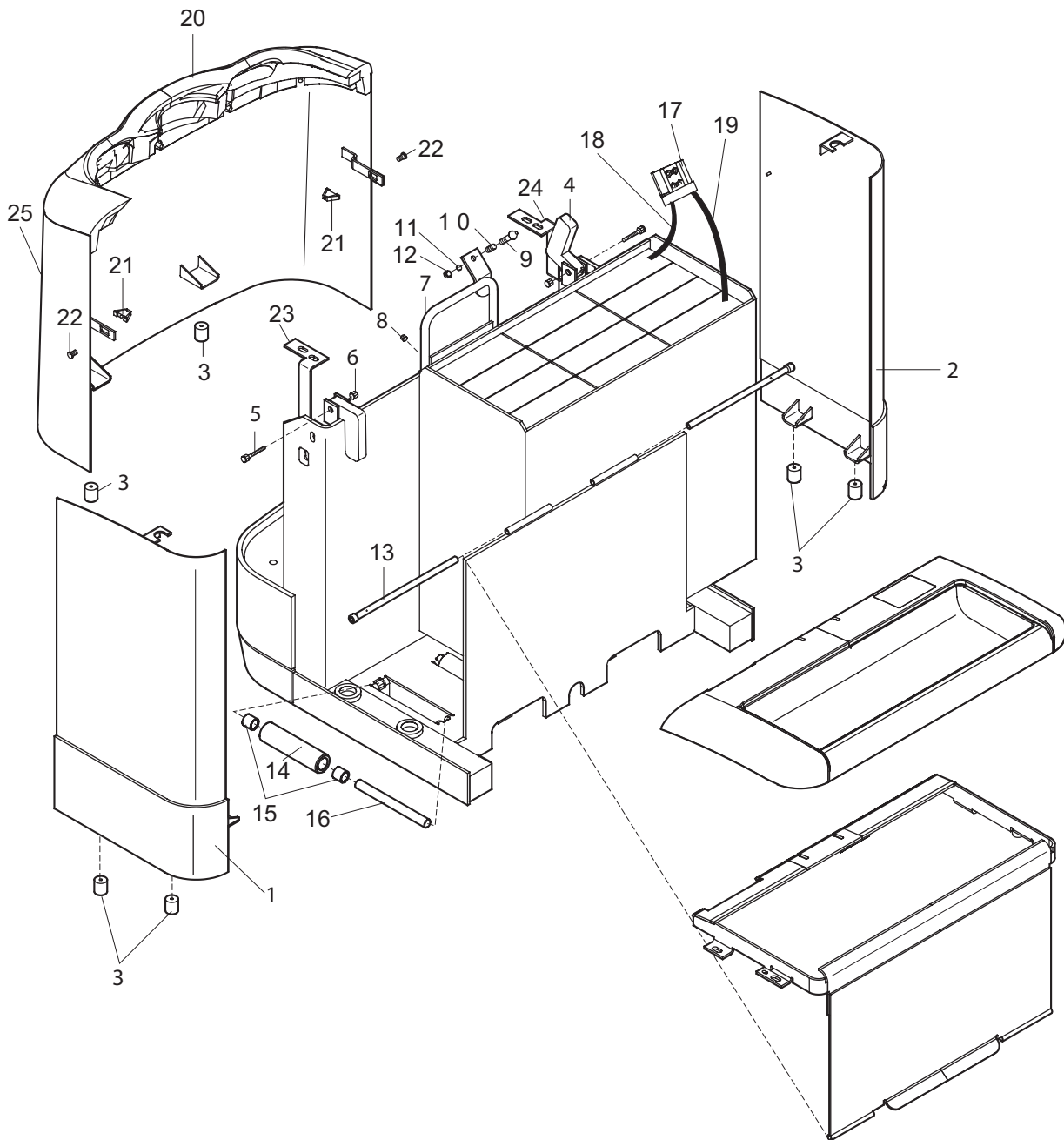
GPC2040
GPC2040S

CROWN

COVERS

COVERS

COVERS 1 - 2



M0105

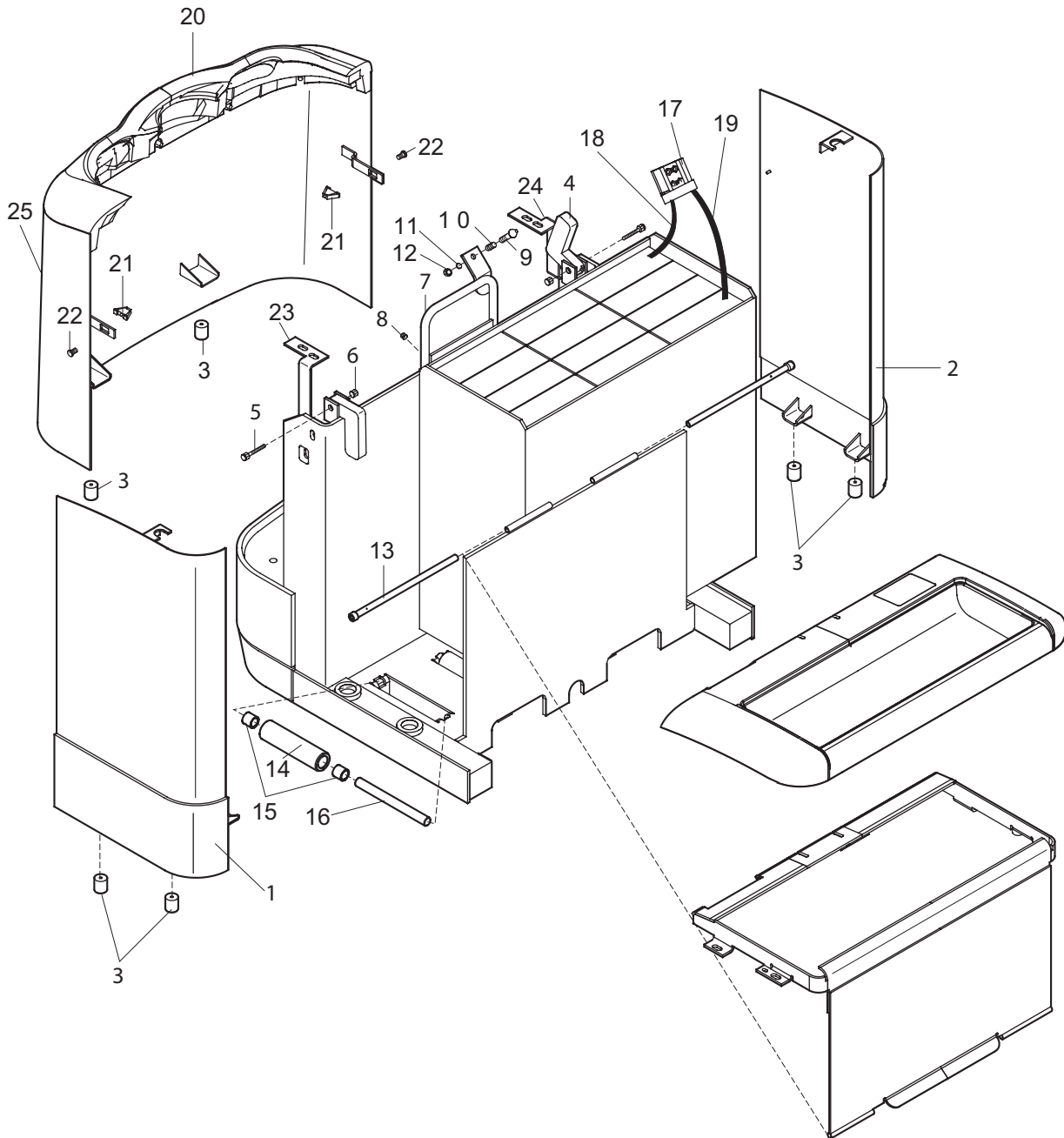
INDEX	PART NUMBER	PART NAME	NUMBER REQUIRED
1	813411-002-01	Cover	1
	055055-003	Protection	1
	804307	Lock	1
	803695	Key	1
2	813411-001-01	Cover	1
	055055-003	Protection	1
	804307	Lock	1
	803695	Key	1
3	804862	Buffer	6
4	804338	Battery Lock	2
5	050007-035	Screw	2
6	050008-034	Nut	2
7	804952	Holder	1
8	050068-003	Nut	2
	050025-009	Screw	2
9	804652	Mushroom	1
10	051057-006	Spring	1
11	050009-025	Washer	1
12	050008-030	Nut	1
13	804277	Pin Drift	2
	050011-004	Washer	AR
	050000-009	Pin	2
14	804207	Roller	6
15	804681	Bearing Ball	12
16	804208	Roller Axle	6
17	804432	Battery Connector Assembly (Anderson + 18 & 19)	1
	803673	Battery Connector (Anderson)	1
	803649	Battery Connector Assembly (Schaltbau + 18 & 19)	1
	803546-001	Battery Connector (Schaltbau)	
	052050-023	Power Cable (B+/Anderson)	1
18	052050-081	Power Cable (B+/Schaltbau)	1
	801988-004	Hose Guard (Schaltbau)	1
	052050-022	Power Cable (B-/Anderson)	1
19	052050-080	Power Cable (B-/Schaltbau)	1
	801988-004	Hose Guard (Schaltbau)	1
	20	804303	Cover
806506		Clamp	7
050008-024		Nut	7
21	804863	Nut	2
22	050071-036	Screw	2
23	804423-001-01	Support	1
	050068-003	Nut	2

* To select appropriate part number, refer to truck data number.
 The truck data number represents truck features.
 Refer to Introduction.



COVERS

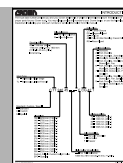
COVERS 1 - 2



M0105

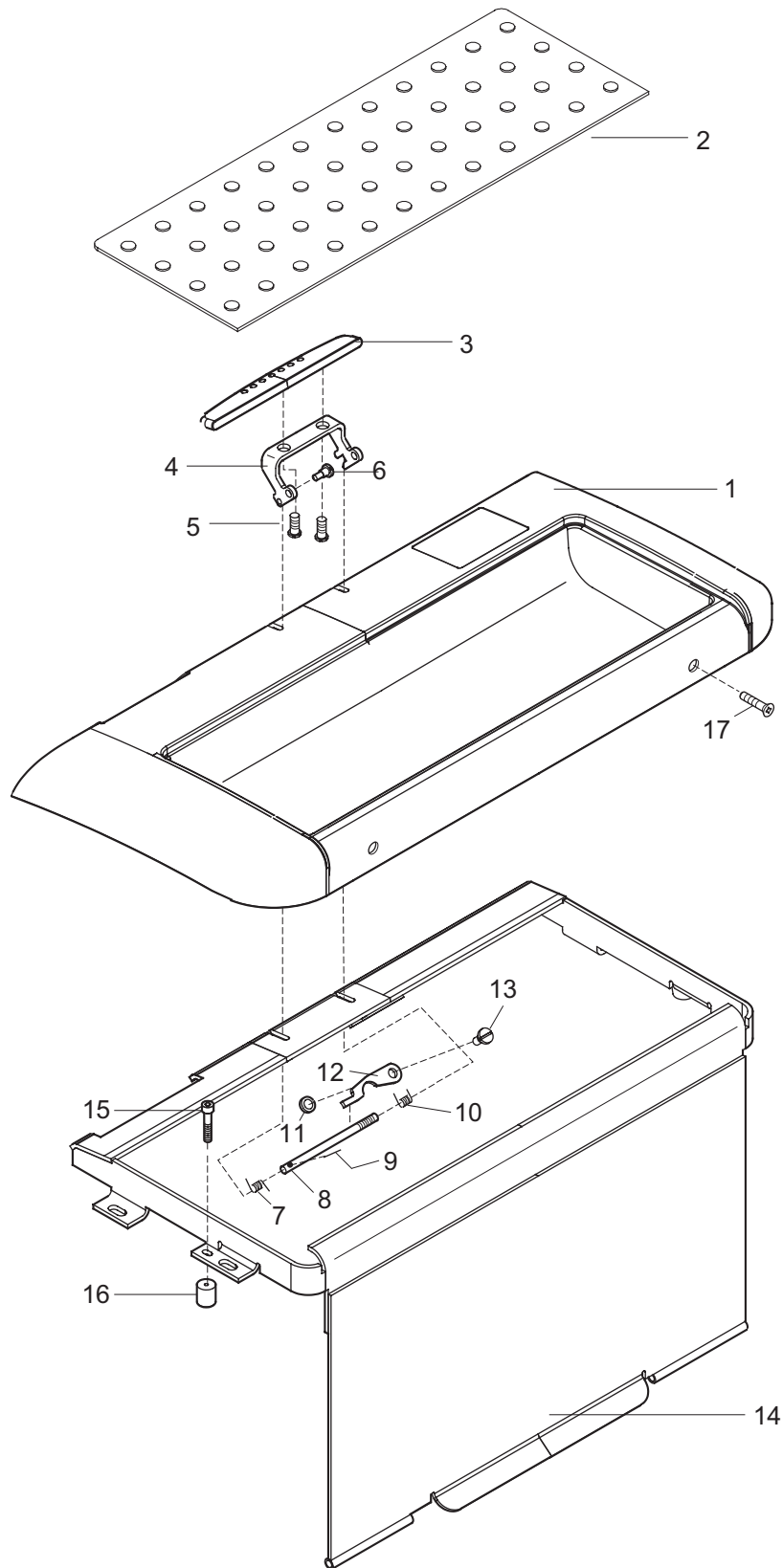
INDEX	PART NUMBER	PART NAME	NUMBER REQUIRED
24	804423-002-01	Support	1
	050068-003	Nut	2
25	804414-001	Cover	1
	804209-001	Battery Roller (included 14 - 15)	6
	053002-001	Grease	AR
	804209-002	Battery Roller (included 14 - 15/Freezer/Corrosion)	6
	053002-005	Grease (Freezer/Corrosion)	AR

* To select appropriate part number, refer to truck data number.
 The truck data number represents truck features.
 Refer to Introduction.



COVERS

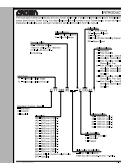
COVERS 2 - 2



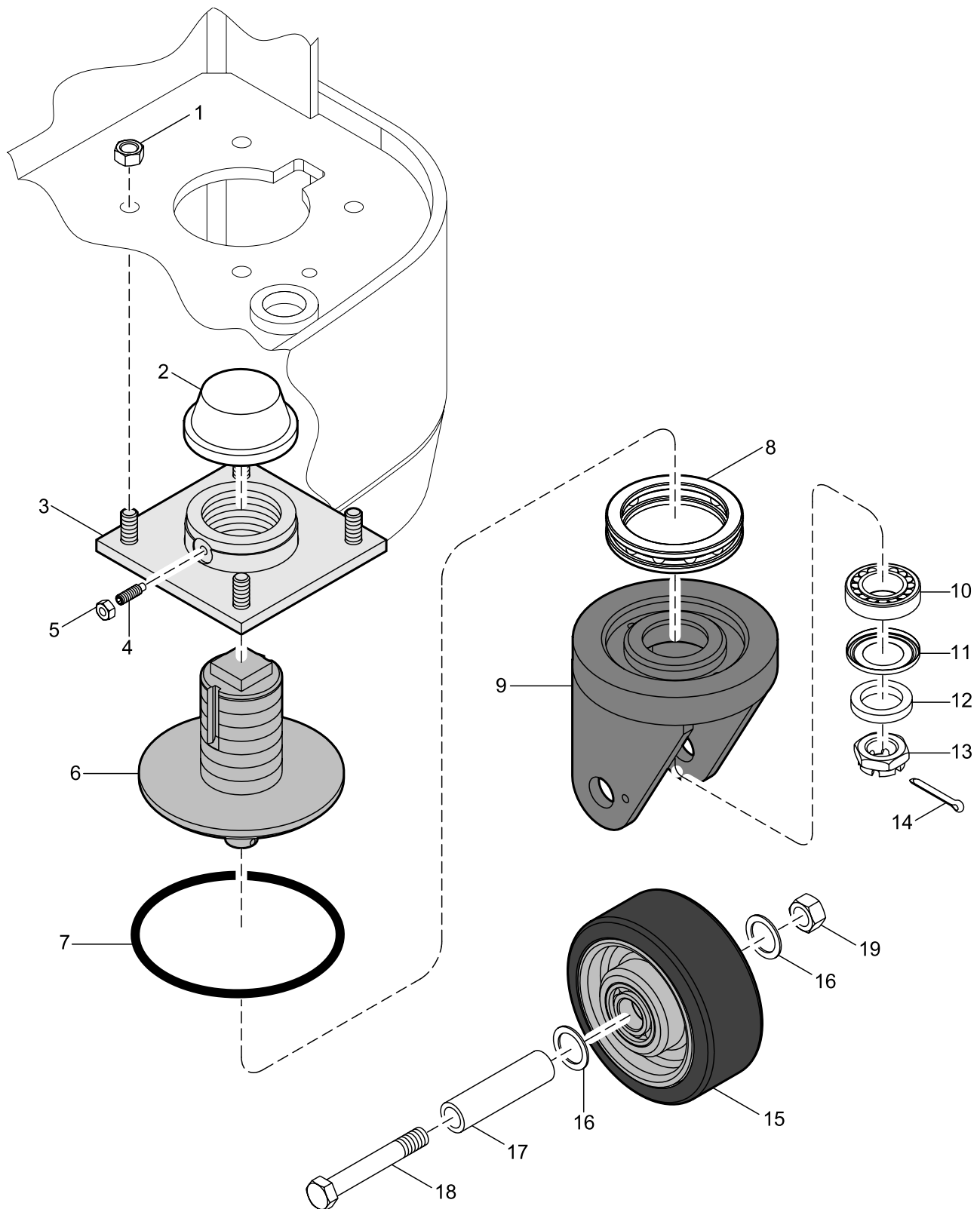
M0106

INDEX	PART NUMBER	PART NAME	NUMBER REQUIRED
1	804299-002	Cover	1
2	804829-001	Mat	1
	053050-010	Adhesive	AR
3	804335	Battery Latch	1
4	804341	Stop	1
5	050071-034	Screw	2
	050009-020	Washer	2
6	050006-024	Screw	1
	050008-015	Nut	1
7	051064-001	Spring	1
8	804804	Shaft	1
9	050001-013	Pin	2
10	051064-002	Spring	1
11	050008-026	Nut	1
12	804653	Latch	1
13	050006-032	Screw	1
14	804416-001	Cover/Battery	1
	050003-016	Screw	2
	050008-010	Nut	2
	804916	Washer (tapered)	6
	050009-020	Washer	10
15	050006-024	Screw	2
	053050-006	Adhesive Locking	AR
16	804864	Buffer	2
17	050003-014	Screw	2
	050009-007	Washer	2
	050008-010	Nut	2

* To select appropriate part number, refer to truck data number.
 The truck data number represents truck features.
 Refer to Introduction.



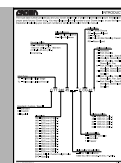
COVERS CASTOR WHEEL



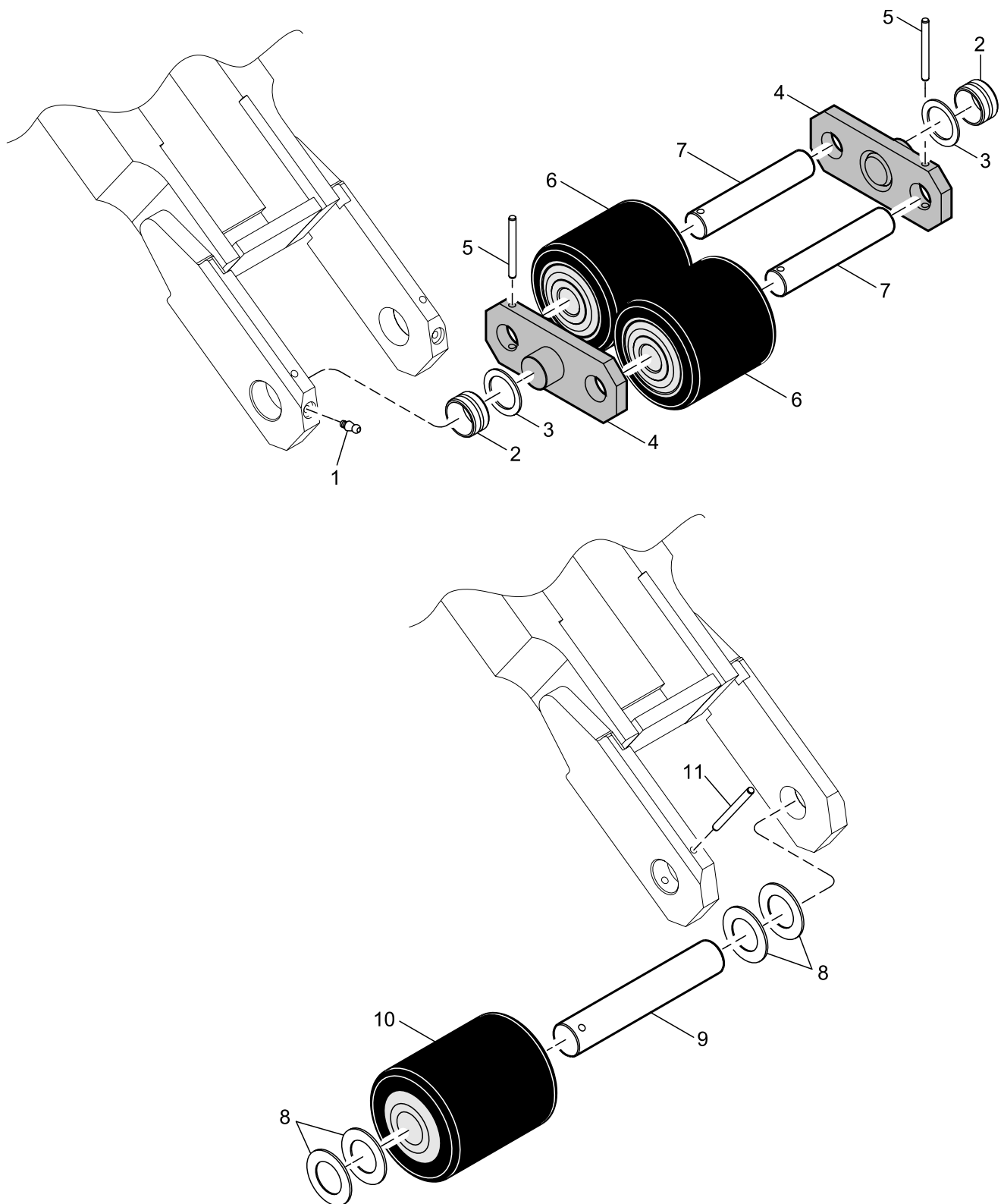
MP-6620-001

INDEX	PART NUMBER	PART NAME	NUMBER REQUIRED
0	804698-001	Caster Wheel Assembly	1
	804698-002	Caster Wheel Assembly (Freezer/Corrosion)	1
1	050008-038	Nut	4
2	804638	Cap	1
3		Support	1
4	804818	Adjusting Screw	1
5	050008-024	Nut	1
6		Variable-pitch	1
7	054002-031	O-Ring	1
8	055018-002	Bearing Ball	1
9	804135	Housing	1
10	055056-002	Bearing Ball	1
11	804154	Washer	2
12	804093	Top Bearing	1
13	050008-075	Nut	1
14	050001-046	Pin	1
15	812024	Caster Wheel Assembly	1
	812015	Caster Wheel	1
	055002-006	Bearing Ball	2
	812016	Spacer	1
16	050009-023	Washer	2
17	812020	Axle	1
18	812021	Screw	1
19	812016	Nut	1
	804134	Support Assembly (included 3 - 6)	1
	053002-001	Grease	AR
	053002-005	Grease (Freezer/Corrosion)	AR

* To select appropriate part number, refer to truck data number.
 The truck data number represents truck features.
 Refer to Introduction.



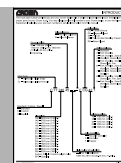
COVERS LOAD WHEEL



MP-6620-002

INDEX	PART NUMBER	PART NAME	NUMBER REQUIRED
1	054011-006	Grease Nipple	4
2	804665	Bushing	4
3	050009-023	Washer	AR
4	815364	Rocker	4
5	050000-015	Pin	4
6	808984	Wheel	4
7	806507	Shaft	4
8	815361	Washer	AR
9	815352	Shaft	2
10	815363	Wheel	2
11	050000-023	Pin	2

* To select appropriate part number, refer to truck data number.
The truck data number represents truck features.
Refer to Introduction.



CROWN

HYDRAULIC



Suggest:

If the above button click is invalid.

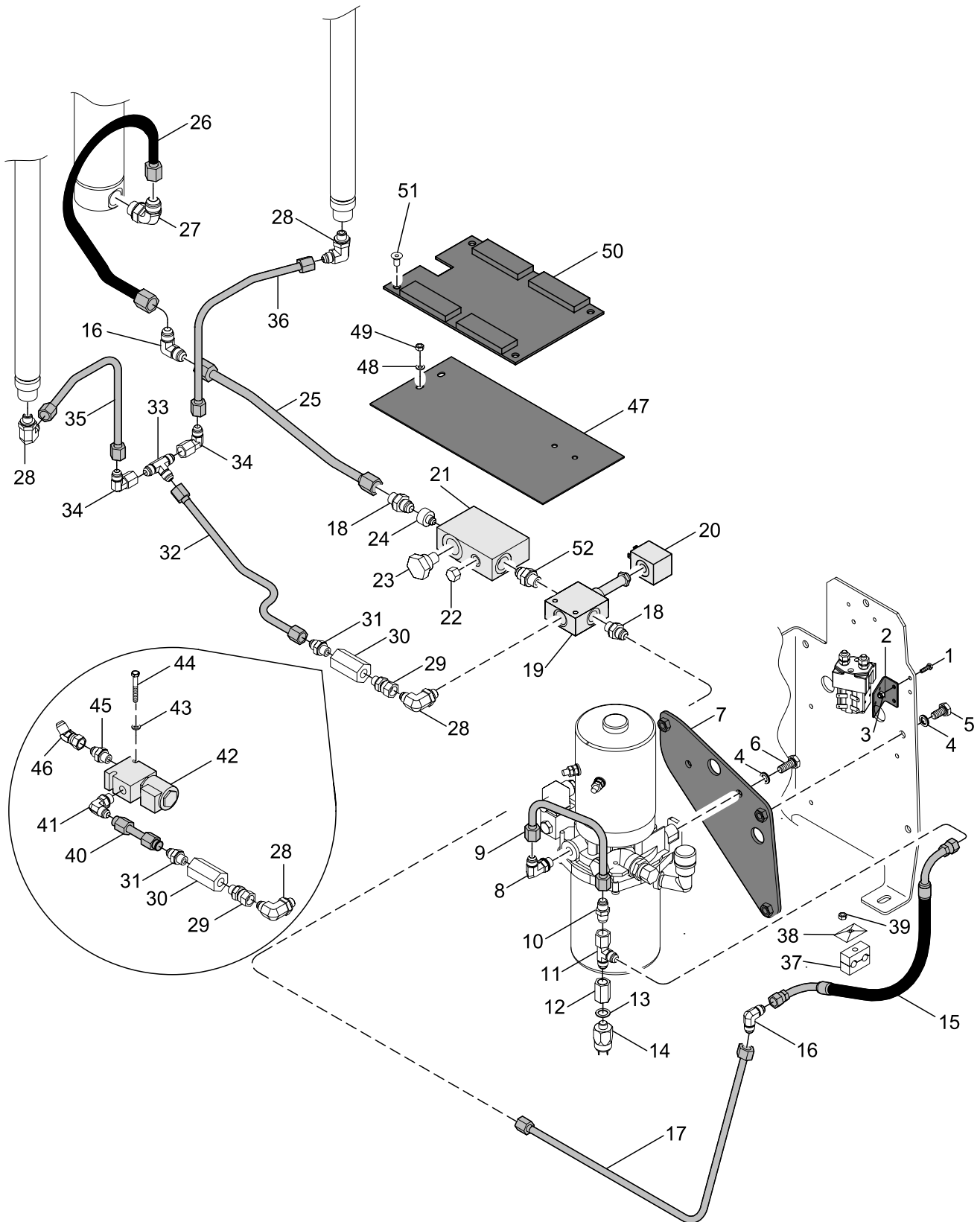
Please download this document

first, and then click the above link

to download the complete manual.

Thank you so much for reading

HYDRAULIC TUBE / HOSE LAYOUT



MP-6620-014

<https://www.ebooklibonline.com>

Hello dear friend!

Thank you very much for reading.

Enter the link into your browser.

The full manual is available for immediate download.

<https://www.ebooklibonline.com>