



# CROWN



**Parts Manual**

Ersatzteilhandbuch

Manual de pièces détachés

**GPC 2000** Series

---

# **CROWN**

## ***TABLE OF CONTENT***

---

## Table of Content

<b>MA – SAFETY</b>	<b>PAGE</b>	<b>SERIAL NR. CUT</b>	<b>REV.</b>
Safety Symbols used in the Manual .....	M/P-MA-0000-001		Rev.1 4/00
<b>ITD – INTRODUCTION</b>	<b>PAGE</b>	<b>SERIAL NR. CUT</b>	<b>REV.</b>
General .....	P-ITD-6620-001		Rev.1 11/00
Page Numbers .....	M/P-ITD-6620-002		
<b>P-1.1 – LUBRICATION</b>	<b>PAGE</b>	<b>SERIAL NR. CUT</b>	<b>REV.</b>
Lubrication Type .....	P-1.1-6620-002		
<b>DIA – ELECTRICAL DIAGRAMS</b>	<b>PAGE</b>	<b>SERIAL NR. CUT</b>	<b>REV.</b>
Diagrams 2020 .....	M/P-DIA-6620-001		Rev.1 01/01
Diagrams 2040 .....	M/P-DIA-6620-025		Rev.1 01/01
Diagrams 2040S .....	M/P-DIA-6620-050		
<b>M/P – HYDRAUKIC</b>	<b>PAGE</b>	<b>SERIAL NR. CUT</b>	<b>REV.</b>
Hydraulic Schematic .....	M/P-2.0-6620-001		
<b>SECTION 1 – COVERS</b>	<b>PAGE</b>	<b>SERIAL NR. CUT</b>	<b>REV.</b>
Caster Wheel .....	P-1.5-6620-001		Rev.2 01/01
Load Wheel .....	P-1.5-6620-025		Rev.1 01/01
Covers .....	P-1.6-6620-001		Rev.2 01/01
<b>SECTION 2 – HYDRAULIC PARTS</b>	<b>PAGE</b>	<b>SERIAL NR. CUT</b>	<b>REV.</b>
Tube/Hose Layout .....	P-2.1-6620-001		
Pumpen Motor and Pump .....	P-2.13-6620-001		Rev.2 01/01
<b>SECTION 3 – DRIVE UNIT</b>	<b>PAGE</b>	<b>SERIAL NR. CUT</b>	<b>REV.</b>
Drive Unit .....	P-3.0-6620-001		Rev.2 01/01
Gearbox .....	P-3.1-6620-001		Rev.1 01/01
Drive Motor .....	P-3.2-6620-001		Rev.3 06/01
Knuckle .....	P-3.3-6620-001		Rev.2 01/01
<b>SECTION 4 – ELECTRICAL</b>	<b>PAGE</b>	<b>SERIAL NR. CUT</b>	<b>REV.</b>
Control Panel .....	P-4.1-6620-001		Rev.2 01/01
Steering Controller .....	P-4.2-6620-001		
Drive Board .....	P-4.3-6620-001		Rev.2 01/01
Contactora .....	P-4.4-6620-001		
Quick Pic .....	P-4.6-6620-001		
Accelerator Switch .....	P-4.6-6620-025		
Lift/Lower and Horn .....	P-4.6-6620-050		
Control Handle .....	P-4.6-6620-075		Rev.2 01/01
Handle .....	P-4.6-6620-077		
Control Handle (Cap) .....	P-4.6-6620-079		Rev.2 01/01
Foot Brake/Walk Along 2020/2040 .....	P-4.6-6620-100		Rev.1 01/01
Walk Along and Lift/Lower 2040S .....	P-4.6-6620-125		
Platform .....	P-4.6-6620-150		

**<https://www.ebooklibonline.com>**

Hello dear friend!

Thank you very much for reading.

Enter the link into your browser.

The full manual is available for immediate download.

**<https://www.ebooklibonline.com>**

Battery Connector/Emergency Disconnect .....	P-4.7-6620-001	Rev.1 2/97
Dash Board .....	P-4.9-6620-001	Rev.2 01/01
Steer Indicator .....	P-4.9-6620-025	

<b>SECTION 5 – BRAKE</b>	<b>PAGE</b>	<b>SERIAL NR. CUT</b>	<b>REV.</b>
Brake 2020 .....	P-5.6-6620-001		Rev.1 2/97
Brake 2040/2040S .....	P-5.6-6620-025		Rev.2 01/01

<b>SECTION 6 – STEERING</b>	<b>PAGE</b>	<b>SERIAL NR. CUT</b>	<b>REV.</b>
Steering .....	P-6.2-6620-001		
Steering Motor .....	P-6.2-6620-025		
Steering .....	P-6.4-6620-001		
Steering Column .....	P-6.7-6620-001		Rev.1 2/97

<b>SECTION 7 – MAST/LIFT STRUCTURE</b>	<b>PAGE</b>	<b>SERIAL NR. CUT</b>	<b>REV.</b>
Platform Lift .....	P-7.1-6620-001		Rev.1 01/01
Fork Lift .....	P-7.1-6620-025		
Fork Carriage .....	P-7.7-6620-001		Rev.1 01/01
Lift Structure .....	P-7.8-6620-001		Rev.2 01/01
Load Backrest .....	P-7.10-6620-001		Rev.1 01/01
Guard Rail .....	P-7.10-6620-075		

<b>SECTION 8 – CYLINDER</b>	<b>PAGE</b>	<b>SERIAL NR. CUT</b>	<b>REV.</b>
Lift Cylinder (Platform Lift) .....	P-8.4-6620-001		Rev.1 01/01
Free Lift Cylinder .....	P-8.4-6620-025		
Free Lift Cylinder (Platform Lift and Combi) .....	P-8.4-6620-050		

<b>SECTION 9 – CABIN/PLATFORM</b>	<b>PAGE</b>	<b>SERIAL NR. CUT</b>	<b>REV.</b>
Platform .....	P-9.0-6620-001		Rev.2 01/01
Platform (Platform Lift/Fork Lift) .....	P-9.0-6620-075		
Platform (Fork Lift) .....	P-9.0-6620-100		

<b>SECTION 10 – MISCELLANEOUS SERVICE INF.</b>	<b>PAGE</b>	<b>SERIAL NR. CUT</b>	<b>REV.</b>
Labels and Decals .....	P-10.9-6620-001		Rev.2 01/01

---

**CROWN**

***SAFETY***

---

## Safety Symbols used in the Manual

To help guide you through the manual and to highlight particular danger areas, we have used graphic illustrations:

### **DANGER**



**This symbol indicates life-threatening risks**

- Failure to comply with this notice may result in severe or fatal injuries to yourself or other people.

### **WARNING**



**This symbol indicates the risk of serious injury and/or serious material damage.**

- Failure to comply with this notice may result in severe injuries to yourself or other people and/or serious material damage.

### **CAUTION**



**This symbol indicates the risk of minor injury and/or minor material damage.**

- Failure to comply with this notice may result in minor injuries to yourself or other people and/or minor material damage.

### **INFORMATION**



**Contains additional information with supplementary notes and hints.**

### **OPTION**



**These items relate to optional features not supplied with the standard version.**

## General Maintenance and Repair Safety Notes

### **DANGER**



**Read the safety notices in the truck Maintenance and Operator's Manuals.**

- Failure to do so could result in severe or fatal injuries to maintenance personnel and/or other persons.

Motorised vehicles can be dangerous if maintenance and service are neglected. For this reason maintenance and inspections must be carried out at regular short intervals by trained personnel working to approved company guidelines.

### **DANGER**



**Follow all national/local safety regulations applicable for maintenance work, e.g. for work on higher levels.**

- Failure to do so could result in severe or fatal injuries to maintenance personnel and/or other persons.

## Maintenance and Repair

1. Maintenance work must only be carried out in accordance with the test and maintenance program contained in the present Maintenance Manual and any applicable service notices.
2. Only qualified and authorised personnel may carry out work on the truck.
3. Always keep fire extinguishers in good working condition. Do not approach fluid levels or leaks with a naked flame.
4. To clean, use a non flammable, non combustible cleaning solution which is groundwater-neutral. Only carry out cleaning with an oil separator. Protect the electrical system from dampness.
5. Keep the service area clean, dry and well-ventilated.
6. Do not allow oil to penetrate the ground or enter the draining system. Used oil must be recycled. Oil filters and desiccants must be treated as special waste products. Relevant applicable regulations must be followed.
7. Neutralise and thoroughly rinse any spilled battery fluid immediately.

8. Keep the truck clean. This will facilitate the location of loose or faulty components.
9. Make sure that capacity and data plates, warnings and labels are legible at all times.
10. Alterations or modifications by the owner or operator are not permitted without the express written authorisation from Crown.
11. Only use original Crown spare parts to ensure the reliability, safety and suitability of the Crown truck.

## Warnings and Labels on the Truck

During regular maintenance check that the warnings and labels on the truck are complete and legible.

- Clean any illegible labels.
- Replace any faulty or missing labels.

The order and meaning of the warnings and labels on the truck are described in section 10.9 of the parts manual.

## Before Leaving the Truck

- Stop the truck.
- Lower the fork carriage fully.
- Apply the parking brake.
- Turn off the travel switch and remove the key.
- Block all wheels when parking on an uneven surface.

## Before Carrying out Work on the Truck

- Raise the truck to free the drive wheel. Press the emergency Stop button and disconnect the battery.
- Prevent the truck from rolling away.
- Before carrying out work on the hoist frame, the lift mast or on the fork carriage: Block these parts according to maintenance instructions in order to prevent them from dropping.
- Only carry out operational testing when there is sufficient room to manoeuvre, to avoid the risk of injury to yourself and others.

## Before Operating the Truck

- Check the safety devices.
- Get into the driver's seat.
- Check the operation of the lifting device, travel direction switch, speed control, steering, warning devices and brakes.

---

**CROWN**

***INTRODUCTION***

---

## General

The present manual is designed for Customer Service engineers who wish to familiarise themselves with the maintenance work required for the various truck components.

It also contains troubleshooting sections which can be used to identify and remedy truck faults.

### **INFORMATION**



***This book is not an operating manual. It is designed solely for specialist personnel who have been trained and authorised to carry out the work described in the manual.***

This manual therefore contains fewer and less detailed warnings than the Operator's Manual, as the latter is aimed at persons who have very little or no prior experience at all.

## Operating Instructions

This manual contains no operating instructions. An operating instructions manual is supplied with the vehicle. Additional copies can be ordered as required.

With the help of this manual you and your personnel will be able to ensure the long service life, operational safety and error free functioning of your CROWN vehicle.

## Service Training

CROWN offers the appropriate vehicle related training for service personnel. Details on this training can be obtained from CROWN on request.

## Ordering Spare Parts

The maintenance manual does not cover spare parts. These are listed in a separate manual.

Spare parts can be ordered by quoting:

- The truck specification number
- The truck model number
- The truck serial number

This information can be found on the truck's data plate. Only if this information is provided can the order be processed quickly, correctly and reliably.

Please refer to the Technical Specifications Sheet for the utilisable loads, technical data and dimensions for this

series. Brochures can be obtained from your CROWN dealer or from the following address:

**CROWN Gabelstapler GmbH**  
**Moosacher Str. 52**  
**80809 Munich**  
**GERMANY**  
**Tel.: +49 (0)89 / 93 002 -0**  
**Fax: +49 (0)89 / 93 002 -175 oder 133**

**Page Numbering in the Manual**

The page numbers are on the left and right-hand sides of the page footer.

If a page has been modified since the last edition, a revision number will be found in the middle of the footer:

02 REV. 2/99 means the second amendment to this page in February 1999.

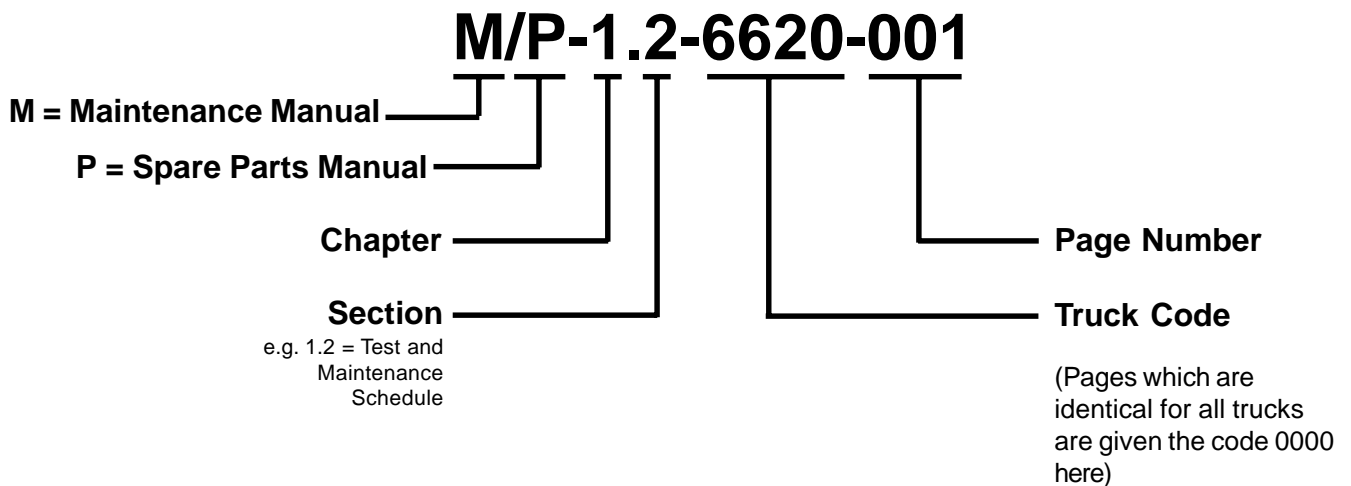
The page numbers are not necessarily consecutive!

The back page of the manual contains a print number in the following form:

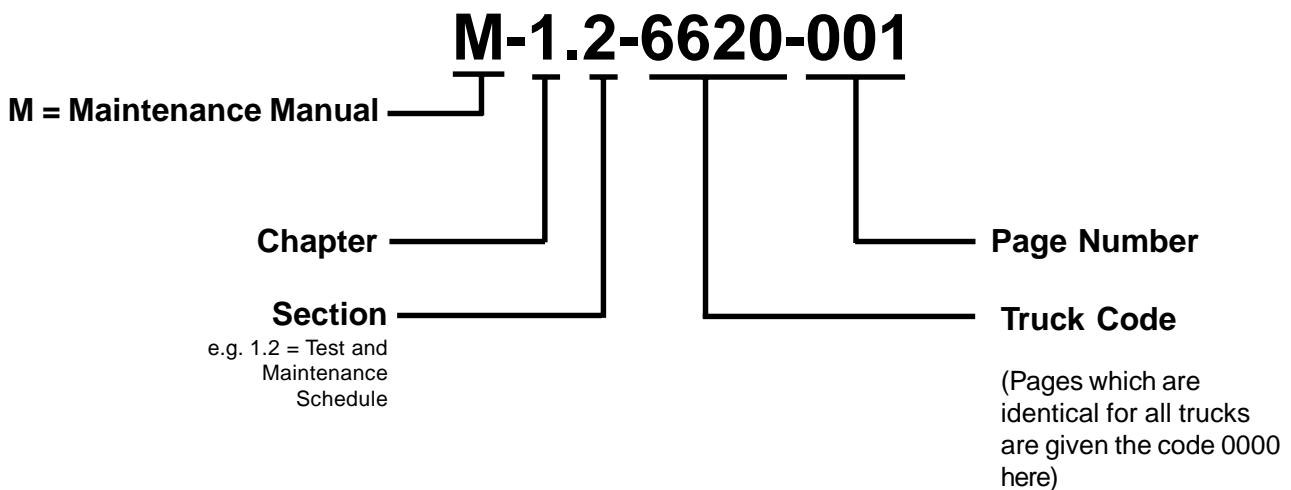
**MS-ESR4000-GB-D-F 02/00**

In this example, 02/00 is the edition date.

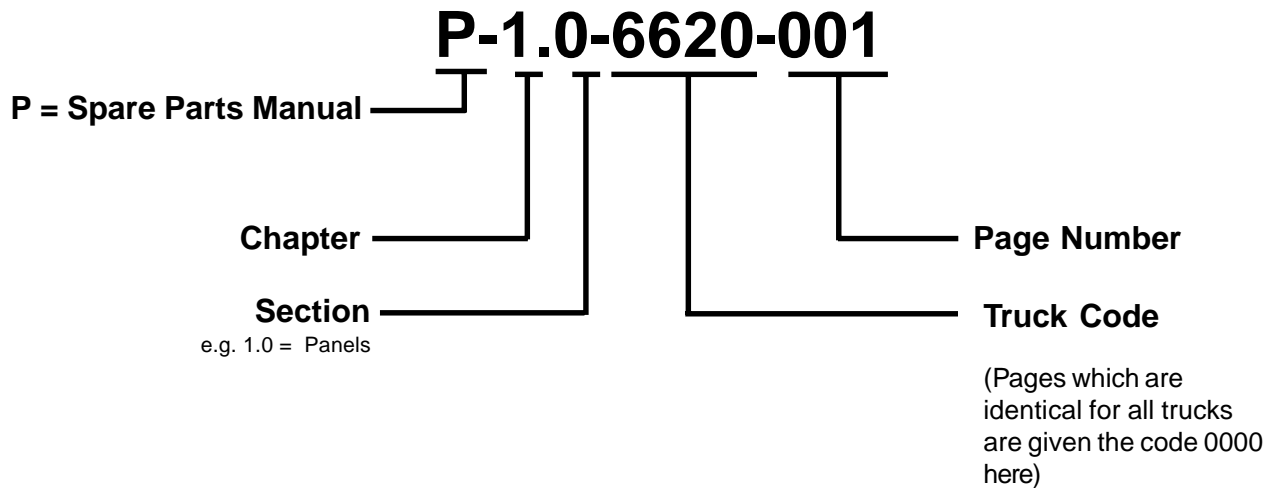
A page beginning with M/P- is *identical* in both the maintenance and spare parts manuals:



A page beginning with M- is *only* contained in the maintenance manual:



A page beginning with P- is *only* contained in the spare parts manual:



## Model-Number

**GPC2020**

**Modeldescription**

Low Level Order Picker, 1.600 kg capacity

**GPC2040**

**Modeldescription**

Low Level Order Picker, 2.000 kg capacity

**GPC2040S**

**Modeldescription**

Rider Pallet Truck with Steering Wheel, 2.000 kg capacity

---

**CROWN**

***LUBRICATION***

---

Lubricant Type	Product Description	Manufacturer	CROWN-Part-No.	Type
Grease (multi purpose)	Aralube HLP-2 LM-Grease Regulus A2 Beacon EP2 EP2 Mobiluxe E2 Retinax LX	Aral Castrol Century Esso Maxol Mobil Shell	053002-001	B
<b>Low temperature</b> grease	Aralube SKL2 Unirex Lotemp EP	Aral Mobil	053002-005	BB
Lubrication oil (chain)	Kowal 40 Essolube HDX Plus + 40 Delvac 1240	Aral Esso Mobil	053002-007	G
<b>Low temperature</b> lubrication oil	SHC 626	Mobil	053002-008	GG
Hydraulic oil	Vitam GF 32 Hyspin AWS-32 Nuto H32 DTE 24 Tellus 32	Aral Castrol Esso Mobil Shell	053001-003	D
<b>Low temperature</b> hydraulic oil	Univis J 13 Aero HFA	Aral Mobil	053001-008	DD
Transmission oil	Hyp 85W90 GX - D 85W90 Mobilube HD85/90 Spirax MB 90	Aral Esso Mobil Shell	053002-004	A
<b>Low temperature</b> transmission oil	Mobilube SHC	Mobil	053002-006	AA
Rubber and vinyl dressing				H
Special grease	MOS <sub>2</sub> Lithium	Dow Corning	063002-022	M
Universal lubrication oil	SAE 40			C

L01-gb

## Grease Points/Interval

Item	Component	Typ	Vol.	100 hours	250 hours	500 hours	1000 hours	2000 hours
1	Hydraulic reservoir, check	D/DD	A/R	X	X	X	X	X
2	Hydraulic reservoir	D/DD	A/R		X	X	X	change
3	Pivot pin control handle	C	A/R		X			
4	Pivot pin control handle brake option (GPC2040/2040S)	C	A/R		X			
5	Control handle latching mechanism, lever pivot	C	A/R		X			
6	Battery compartment lid hinge	C	A/R		X			
7	Battery latch	B/BB	A/R		X			
8	Battery compartment rollers	B/BB	A/R		X			
9	Seat hinges and delatching mechanism	C	A/R		X			
10	Mast channels	B/BB	A/R		X			
11	Lift chain	G/GG	A/R		X			
12	Steer chain	G/GG	A/R		X			
13	Gearbox turntable bearing	B/BB	A/R		X			
14	Caster, all exposed threads	B/BB	A/R					
15	Lift linkage rear top and bottom	B/BB	A/R			X		
16	Lift linkage front	B/BB	A/R			X		
17	Pivot pin load wheel mounting	B/BB	A/R					
18	Gearbox oil change	A/AA	A/R				X	
19	Follow up gearbox oil change	A/AA	A/R					X



**Suggest:**

**If the above button click is invalid.**

**Please download this document**

**first, and then click the above link**

**to download the complete manual.**

**Thank you so much for reading**

---

**CROWN**

***ELECTRICAL DIAGRAMS***

---

**<https://www.ebooklibonline.com>**

Hello dear friend!

Thank you very much for reading.

Enter the link into your browser.

The full manual is available for immediate download.

**<https://www.ebooklibonline.com>**