

# CROWN

## Parts Manual



**FC4000** Series

---

# **CROWN**

## ***TABLE OF CONTENT***

---

## Table of Content

<b>ITD – INTRODUCTION</b>	<b>PAGE</b>	<b>SERIAL NR. CUT</b>	<b>REV.</b>
General .....	7		
Model - Number .....	8		
<b>SECTION 1 – COVERS</b>	<b>PAGE</b>	<b>SERIAL NR. CUT</b>	<b>REV.</b>
Covers .....	14,16,18,20,22		
Seat & Pan .....	24		
Seat (Static).....	26		
Seat (Suspension) .....	28		
<b>SECTION 2 – HYDRAULIC PARTS</b>	<b>PAGE</b>	<b>SERIAL NR. CUT</b>	<b>REV.</b>
Tube/Hose Layout .....	32,34,36,38,40,42		
Control Valve Linkage .....	44,46,48		
Control Lever .....	50		
Hydraulic TL & TT Mast .....	52		
Hydraulic Accessories TL Mast .....	54		
Hydraulic Accessories TT Mast .....	56		
Valve Bloc .....	58,60		
Tilt Manifold .....	62		
Park Brake Release Manifold .....	64		
Lowering Flow Control Manifold .....	66		
Accessory Manifold .....	68		
Pump .....	72		
Pump Motor .....	74		
<b>SECTION 3 – DRIVE UNIT</b>	<b>PAGE</b>	<b>SERIAL NR. CUT</b>	<b>REV.</b>
Gear Box .....	78		
Drive Motor .....	82		
Drive Tire .....	84		
<b>SECTION 4 – ELEKTICAL</b>	<b>PAGE</b>	<b>SERIAL NR. CUT</b>	<b>REV.</b>
Socket - Housing .....	90		
Electrical Components .....	94		
Contactor Panel .....	96,100,104		
Panel.....	108,110		
Distribution Panel .....	112		
Fuse Box .....	114		
Contactor (Forward & Reverse) .....	116		Rev. 4 09/95
Contactor ("EE") .....	118		Rev. 2 11/01
Contactor ("EE") .....	120		Rev. 3 11/01
Contactor (Steering) .....	122		Rev. 2 12/93
Contactor ("EE") .....	124		Rev. 3 11/01
Contactor (Pump) .....	126		
Tilt Limit Switch .....	128		
Mast Wiring (TL & TT) .....	130,132		
Directional Control .....	134		Rev. 1 09/01
Foot Operated Directional Control .....	136		
Accelerator .....	138		
Diagnostic Switch .....	140		
Park Brake Switch .....	142		
Working Light .....	144		Rev. 1 03/02

**<https://www.ebooklibonline.com>**

Hello dear friend!

Thank you very much for reading.

Enter the link into your browser.

The full manual is available for immediate download.

**<https://www.ebooklibonline.com>**

Working Light .....	146
Working Light - TT Mast .....	148
Light Rear .....	150,152

<b>SECTION 5 – BRAKE</b>	<b>PAGE</b>	<b>SERIAL NR. CUT</b>	<b>REV.</b>
Foorbrake .....	156		
Drive Brake .....	158		
Park - Brake .....	160		
Brake Cylinder .....	162		

<b>SECTION 6 – STEERING</b>	<b>PAGE</b>	<b>SERIAL NR. CUT</b>	<b>REV.</b>
Pump - Steering & Drive Brake .....	166		
Pump Motor (Steering) .....	168		Rev. 2 10/00
Steer Wheel .....	170		
Steer Axle .....	172		
Steer Cylinder .....	174		Rev. 2 05/96
Steering Column .....	176,178,180		

<b>SECTION 7 – MAST/LIFT STRUCTURE</b>	<b>PAGE</b>	<b>SERIAL NR. CUT</b>	<b>REV.</b>
TL Mast .....	184		
TL Mast Accessories .....	186		
Lift Chain TL Mast .....	188		
TT Mast .....	190		
TT Mast Accessories .....	194		
Lift Chain TT Mast .....	196		
Fork Carriage .....	198,200		
Sideshift .....	202		
Fork .....	204		
Load Backrest .....	208		
Yoke .....	210		

<b>SECTION 8 – CYLINDER</b>	<b>PAGE</b>	<b>SERIAL NR. CUT</b>	<b>REV.</b>
Lift Cylinder .....	214		
Free Lift Cylinder .....	216		
Tilt Cylinder .....	218		
Sideshift Cylinder .....	220		

<b>SECTION 10 – LABELS &amp; DECALS</b>	<b>PAGE</b>	<b>SERIAL NR. CUT</b>	<b>REV.</b>
Labels & Decals .....	224,226,228		

This Manual contains 230 Pages

---

**CROWN**

***INTRODUCTION***

---

**General**

**Maintenance and Repair**

Only qualified and Crown authorised personnel may carry out work on the truck.

**Otherwise warranty will be void.**

**Ordering Spare Parts**

Spare parts can be ordered by quoting:

- The truck model number
- The truck serial number
- The truck specification number

This information can be found on the truck's data plate. Only if this information is provided can the order be processed quickly, correctly and reliably.

Please refer to the Technical Specifications Sheet for the utilisable loads, technical data and dimensions for this series. Brochures can be obtained from your CROWN dealer or from the following address:

Battery Weight Lbs.		D.C. Voltage
Max.	Min	
Max. A. H. Cap.	HR. Rate	Batt. Type
Truck Wt. Less Batt.		
Max. Grade With 12 In. Max. Fork Height		%
Load Tire Treac Width		
180° Traverse Sideshift		
Model Number		Fork Length
Serial Number		Max. Tilt Back °
Truck Data Number		
<small>This truck as released from the factory conforms to the mandatory requirements of the ANSI B56.1 Standard.</small>		
<small>Crown Equipment Corp. New Bremen, OH 45869</small>		
		<small>CL B</small>

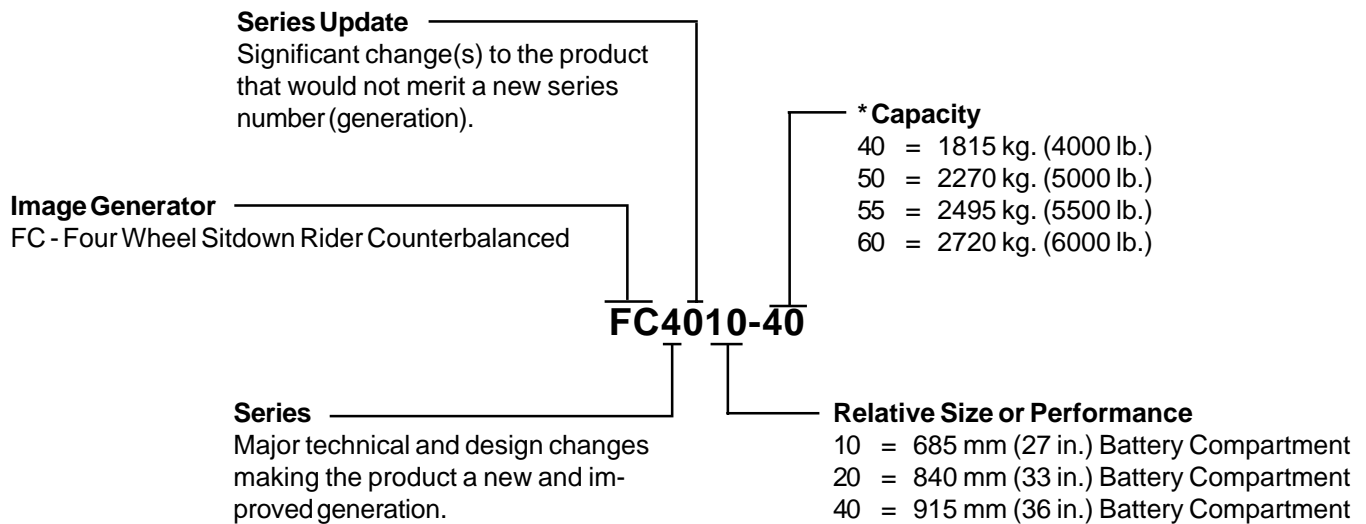
**TRUCK DATA PLATE**

6312

**CROWN Gabelstapler GmbH**  
**Moosacher Str. 52**  
**80809 Munich**  
**GERMANY**  
**Tel.: +49 (0)89 / 93 002 -0**  
**Fax: +49 (0)89 / 93 002 -175 oder 133**

## Model-Number

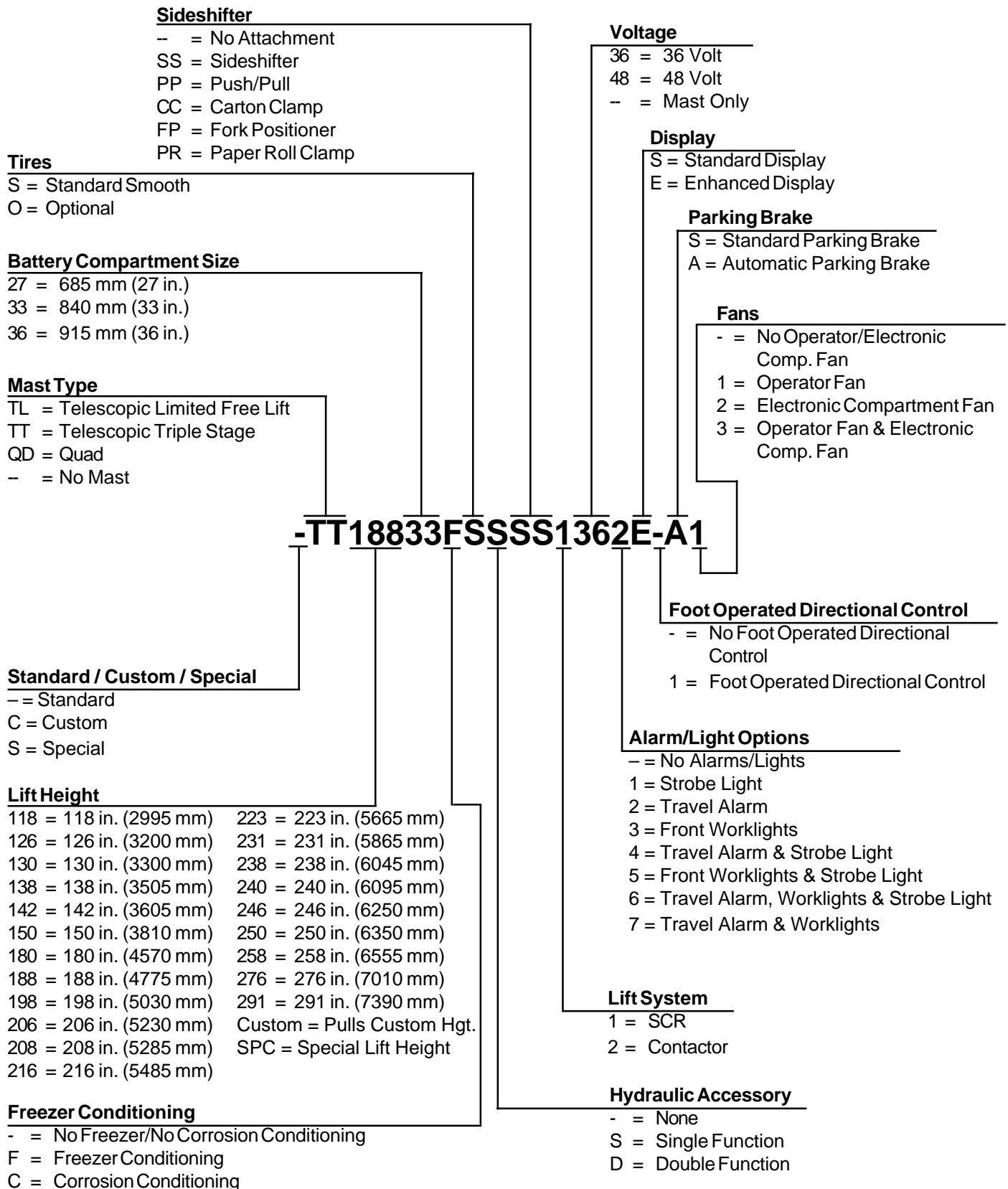
### MODEL NUMBER EXAMPLE



The example of the model number shown above (FC4010-40) is a FC4000 series. It has a 685 mm (27 in.) battery compartment and 1815 kg. (4000 lb.) capacity.

\* Actual rated capacity may vary, depending on special equipment or modifications. Consult capacity plate located on the overhead guard.

The truck data number provides you and your Crown dealer with a wealth of information to insure the selection of proper parts for your Crown truck. You may simply provide this number to your Crown dealer, or use the following breakdown if selecting your own part numbers or service information from this manual.



---

# CROWN

***PARTS***

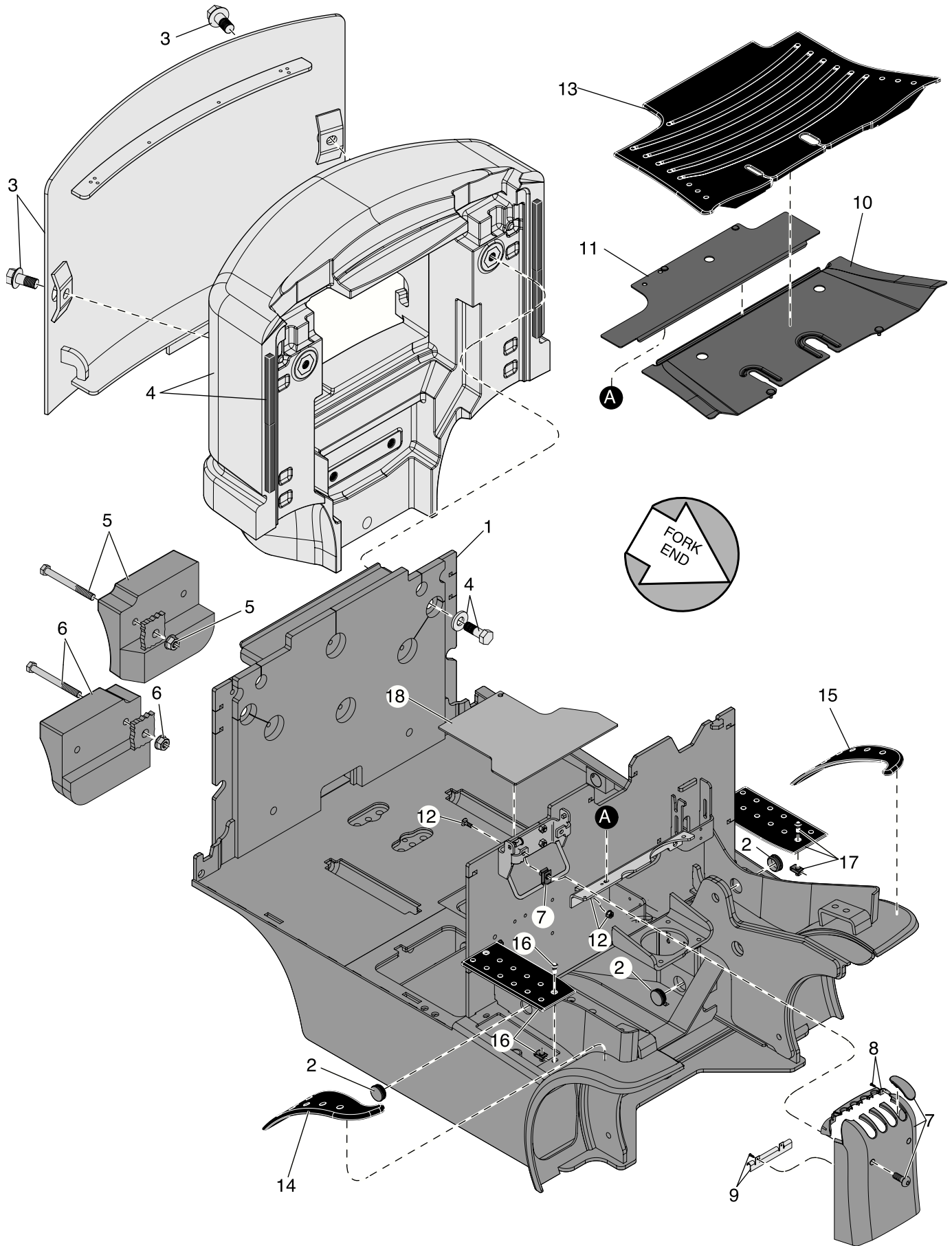
---

---

**CROWN**

***SECTION 1***

---



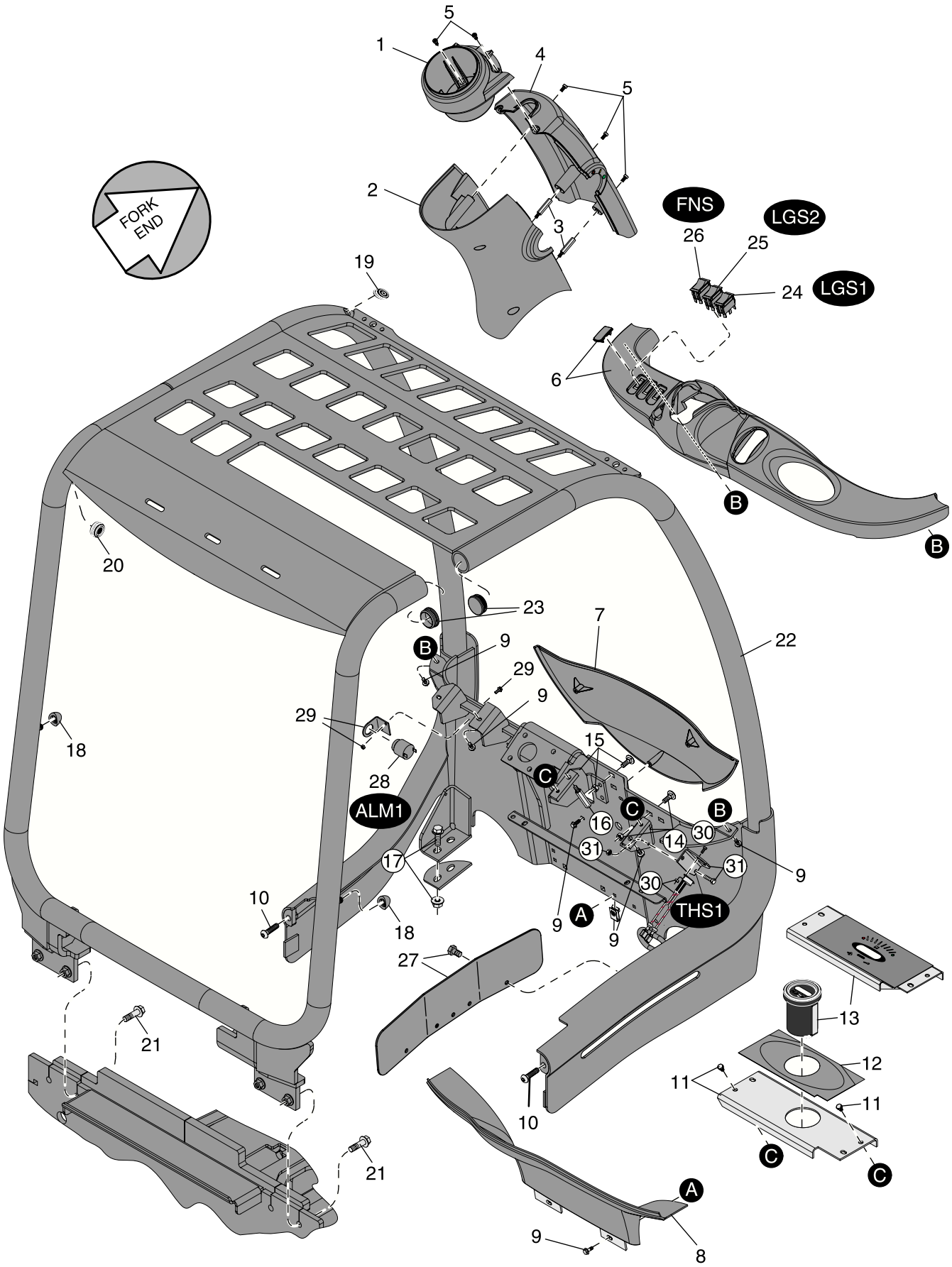
MP-2040-001

INDEX	PART NUMBER	PART NAME	NUMBER REQUIRED
1	126905-001	Power Unit Frame (685mm Battery Compartment)	1
	126905-002	Power Unit Frame (840mm Battery Compartment)	1
	126905-003	Power Unit Frame (915mm Battery Compartment)	1
2	129297	Plug	3
3	127017	Door	1
	129691	Door with Fan	1
	060115-002	Screw	2
4		Counterweight (see Table)	1
	111594	Foam Tape	AR
	060099-003	Screw	4
	060030-066	Flatwasher	4
5		Auxiliary Counter Weight (see Table)	1
		Screw (see Table)	2
	060059-017	Nut	2
6		Auxiliary Counter Weight (see Table)	1
		Screw (see Table)	2
	060059-017	Nut	2
7	126260	Front Cover	1
	060102-004	Nut	2
	060063-015	Screw	2
	126297	Plug	AR
8	126261	Rear Cover	1
	060032-063	Screw	2
9	128583	Hook	1
	060032-063	Screw	2
10	128159	Front Floor Cover	1
11	128160	Rear Floor Cover	1
12	128173	Floor Bracket	1
	050025-010	Screw	2
	050068-004	Nut	2
13	128289	Floor Mat	1
14	128246	Mat	1
15	128604	Mat	2
16	128248	Mat	1
	060102-004	Nut	2
	060063-016	Screw	2
17	128588	Mat	1
	060102-004	Nut	2
	060063-016	Screw	2
18	128245	Lift Motor Cover (without Battery Rollers)	1
	128249	Lift Motor Cover (with Battery Rollers)	1
		<b>Not illustrated</b>	
	127774	Towpin	1

Model Numbers	Position 4	Position 5 and Position 6	
		Auxiliary Counterweight	Screw
4010-40, 4020-40, 4020-50, 4040-50, 4010-2.0, 4020-2.0, 4020-2.5, 4040-2.5	126886		
4010-50, 4020-55, 4020-60, 4040-55, 4040-60, 4010-2.5, 4020-3.0, 4040-3.0	126887		
4020-50, 4020-60, 4020-2.5, 4020-3.0		Contact Factory	060099-004
4010-40, 4010-50, 4040-50, 4020-55, 4010-2.0, 4010-2.5, 4040-2.5		Contact Factory	060099-005

Always Specify Model & Serial Number  
To select part number, refer to truck data number.  
See Section ITD

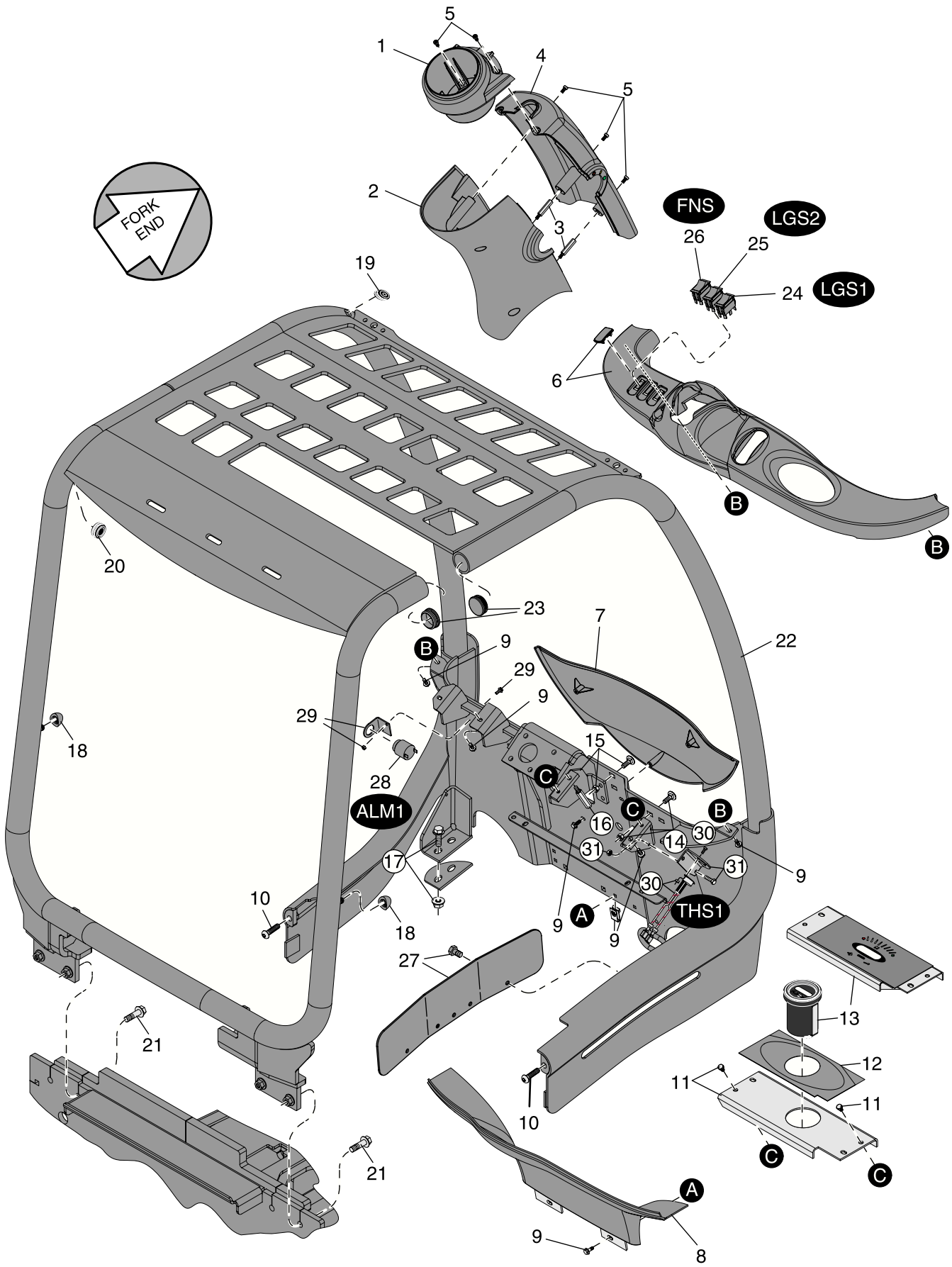
Tab001gb



MP-2040-003

INDEX	PART NUMBER	PART NAME	NUMBER REQUIRED
1	124029	Top Cover	1
2	124030	Cover	1
3	124269	Stand-Off	2
4	124031	Cover	1
5	050005-057	Screw	9
6	124034	Console Cover	1
	124503	Switch Blank (Trucks without Console Switches)	3
7	124033	Front Cover	1
8	124036-001	Rear Cover	1
9	050067-012	Screw	11
	060102-002	Nut	2
10	060075-008	Screw	2
11	124812	Cover Plate	1
	060062-004	Screw	2
12	124713	Label	1
13	124819	Dash Display Contactor Lift	1
	128507	Enhanced Dash Display	1
	129042	Dash Display SCR Lift (Not Shown)	1
	061002-002	Harness Clamp	1
	050004-012	Screw	1
	050008-001	Nut	1
14	124340	Bracket R.H.	1
	050025-008	Carriage Bolt	2
	060059-001	Nut	2
15	124339	Bracket L.H.	1
	050025-008	Carriage Bolt	2
	060059-001	Nut	2
16	124345	Extension	1
17	050067-044	Screw	4
	060059-010	Nut	4
18	124993	Bumper	2
19	124531	Grommet Ø 25 mm	1
20	124532	Grommet Ø 19 mm	1
21	060115-003	Screw	4
22		Overhead Guard (see Table)	1
23	124530	Plug	2
24	062595-002	Switch LGS1	1
	129925-001	Label	1
25	062595-002	Switch LGS2	1
	129925-002	Label	1
26	062595-001	Switch FNS	1
	129925-003	Label	1
27	129549	Guard	1
	050006-024	Screw	2
28	128229	Alarm Brake ALM1	1
29	127103	Bracket	1
	050067-012	Screw	2
	050008-015	Nut	2
30	062783-001	Thermostat Assembly (THS1 includes Thermostat,Leads&Terminals)	1
	062524	Thermostat THS1	1
	050004-025	Screw	2
	050008-004	Nut	2
31	127417	Bracket	1
	050004-013	Screw	2
	050008-001	Nut	2

Always Specify Model & Serial Number  
 To select part number, refer to truck data number.  
 See Section ITD

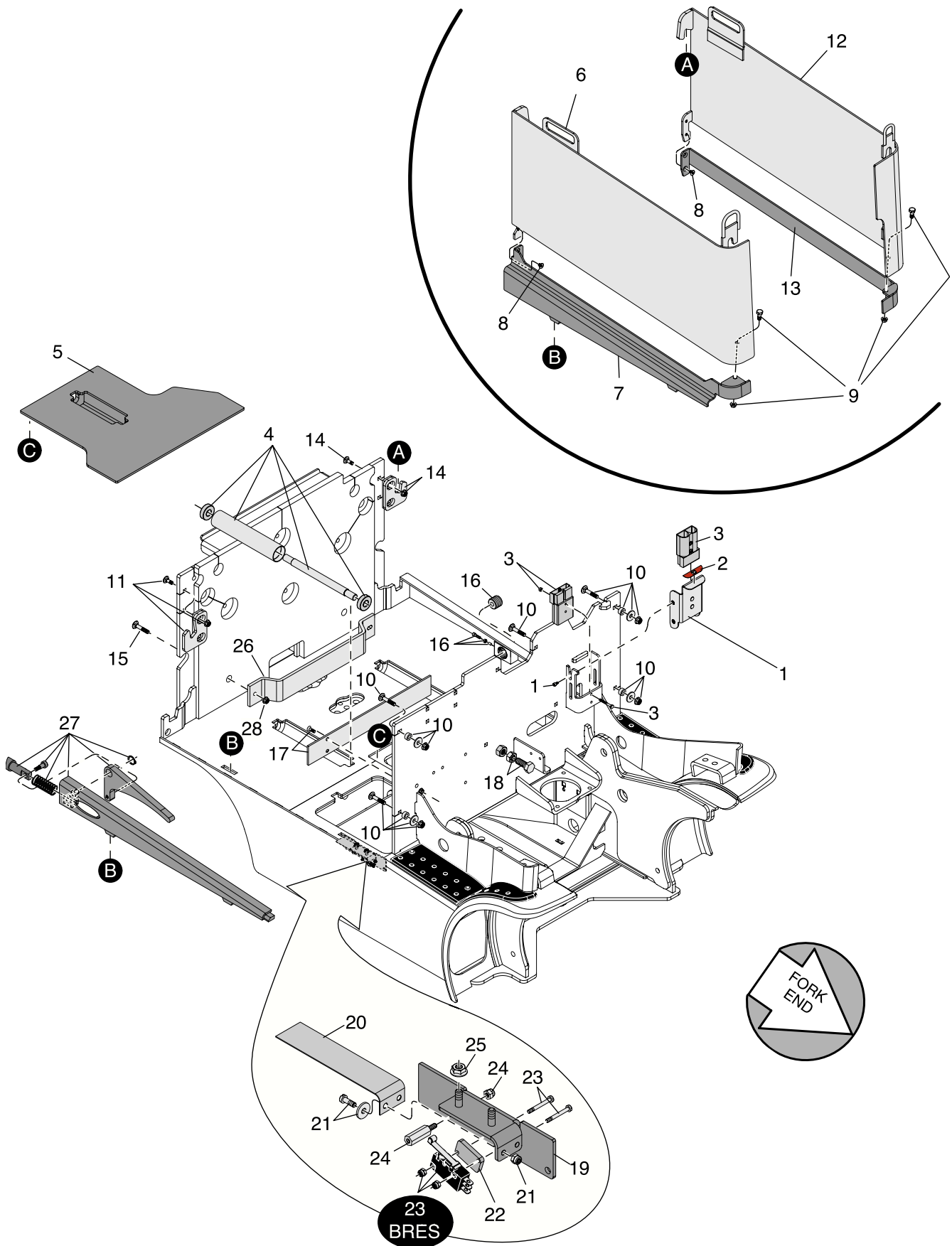


MP-2040-003

Battery Compartment Size	Height	Overhead Guard	Position 22
685 mm	2120 mm	Standard	127011-001
685 mm	2185 mm	Standard	127011-002
685 mm	2250 mm	Standard	127011-003
840 mm	2120 mm	Standard	126635-001
840 mm	2185 mm	Standard	126635-002
840 mm	2250 mm	Standard	126635-003
915 mm	2120 mm	Standard	127012-001
915 mm	2185 mm	Standard	127012-002
915 mm	2250 mm	Standard	127012-003
685 mm	2185 mm	Drive - Thru	128650-001
840 mm	2185 mm	Drive - Thru	128650-002
915 mm	2185 mm	Drive - Thru	128650-003

Tab002gb

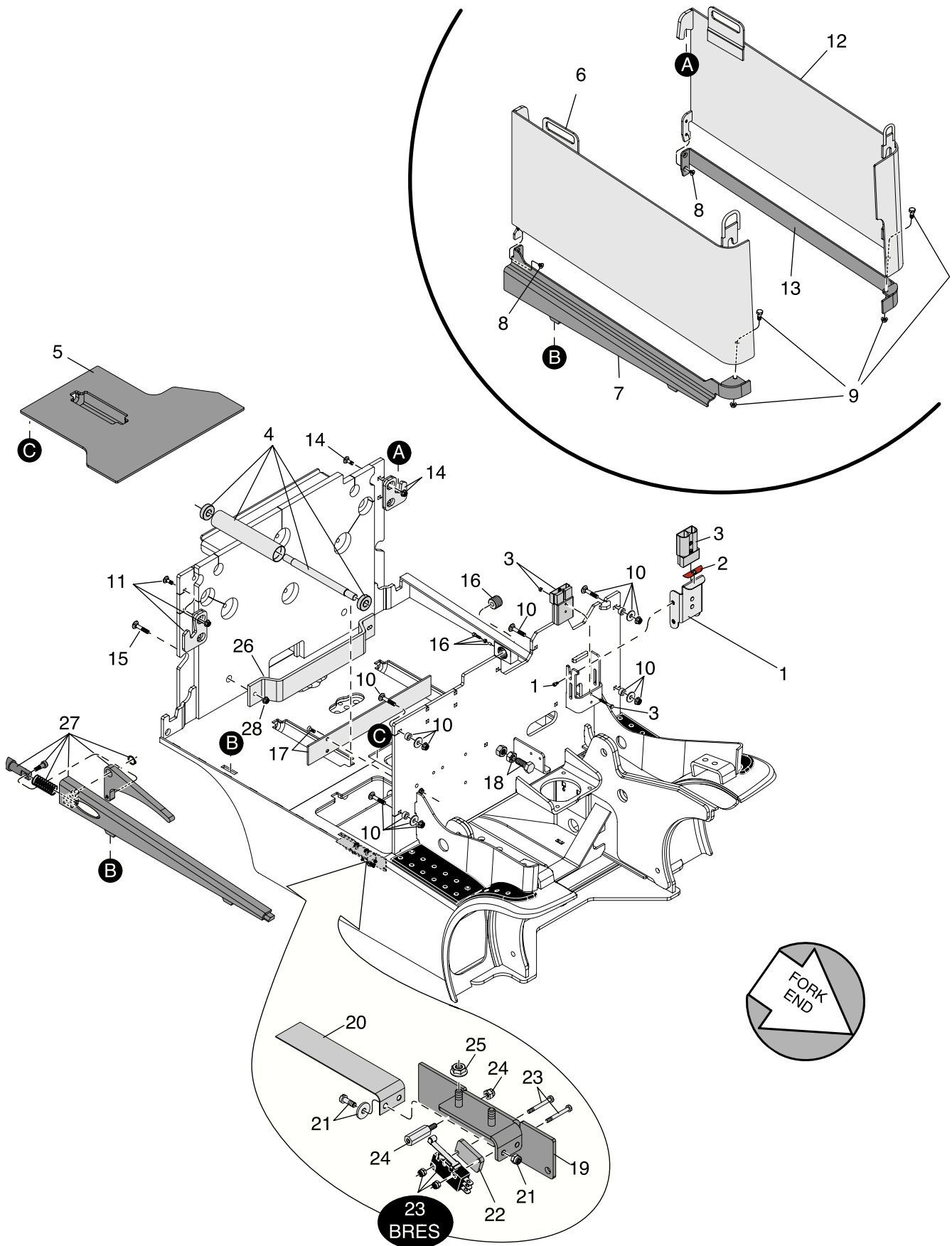
Always Specify Model & Serial Number  
 To select part number, refer to truck data number.  
 See Section ITD



MP-2040-004

INDEX	PART NUMBER	PART NAME	NUMBER REQUIRED	
1	127571	Disconnect Handle (Shown)	1	
	129353	Disconnect Handle International	1	
	050005-059	Screw	3	
	061004-026	Thread Locking Adhesive	1	
2		Label See Section 10.9	1	
3	078723-001	Connector Gray	1	
	078723-003	Connector Red	1	
	078723-006	Connector Blue	1	
	078723-009	Connector Yellow	1	
	108801-001	Connector Gray International	1	
	108801-003	Connector Red International	1	
	108801-006	Connector Blue International	1	
	108801-008	Connector Yellow International	1	
	108802-001	Contact Connector	2	
	050007-014	Screw	2	
	050008-015	Nut	2	
4	129176-001	Roller Assembly Includes Shaft, Roller & Bearings 685 mm Battery Compartment	2	
	129176-001	Roller Assembly Includes Shaft, Roller & Bearings 840 & 915 mm Battery Compartment	4	
	121619-001	Shaft Qty. for 1 Battery Roller	1	
	129177-001	Roller Qty. for 1 Battery Roller	1	
	065081-018	Bearing Qty. for 1 Battery Roller	2	
	129176-003	Roller Assembly Includes Shaft, Roller & Bearings 685 mm Battery Compartment	3	
	129176-003	Roller Assembly Includes Shaft, Roller & Bearings 840 & 915 mm Battery Compartment	1	
	121619-007	Shaft Qty. for 1 Battery Roller	1	
	129177-003	Roller Qty. for 1 Battery Roller	1	
	065081-018	Bearing Qty. for 1 Battery Roller	2	
	5	128249	Motor Cover Plate	1
	6	127052-001	R.H. Cover 685 mm Battery Compartment	1
		127052-002	R.H. Cover 840 mm Battery Compartment	1
127052-003		R.H. Cover 915 mm Battery Compartment	1	
7	128472-001	R.H. Retainer 685 mm Battery Compartment	1	
	128472-002	R.H. Retainer 840 mm Battery Compartment	1	
	128472-003	R.H. Retainer 915 mm Battery Compartment	1	
8	060063-022	Screw	4	
9	050006-050	Screw	2	
	050009-026	Flatwasher	2	
	050068-004	Nut	2	
10	050025-010	Carriage Bolt	4	
	128511	Bushing	4	
	050009-025	Flatwasher	4	
	050068-004	Nut	4	
11	128178	R.H. Hook	1	
	050025-010	Carriage Bolt	2	
	050068-004	Nut	2	
12	127044-001	L.H. Cover 685 mm Battery Compartment	1	
	127044-002	L.H. Cover 840 mm Battery Compartment	1	
	127044-003	L.H. Cover 915 mm Battery Compartment	1	
13	128475-001	L.H. Lower Strip 685 mm Battery Compartment	1	
	128475-002	L.H. Lower Strip 840 mm Battery Compartment	1	
	128475-003	L.H. Lower Strip 915 mm Battery Compartment	1	
14	128180	L.H. Hook	1	
	050025-010	Carriage Bolt	2	
	050068-004	Nut	2	
15	060075-005	Screw	2	

Always Specify Model & Serial Number  
 To select part number, refer to truck data number.  
 See Section ITD



MP-2040-004

INDEX	PART NUMBER	PART NAME	NUMBER REQUIRED
16	128613	Battery Adjustment Screw	1
	060063-011	Screw	1
	060059-001	Nut	1
	119218	Block	1
17	128642	Battery Adjustment Plate	1
	050003-024	Nut	4
18	060099-002	Screw	1
	050008-068	Nut	1
	061004-026	Thread Locking Adhesive	1
19	129003	Bracket	1
20	105523	Actuator	1
21	050004-012	Screw	2
	060030-252	Flatwasher	2
	050008-005	Nut	2
22	126046	Spacer	1
23	062752-005	Sealed Switch BRES	1
	050004-005	Screw	2
	060059-014	Nut	2
24	124960-002	Spacer	1
	050008-005	Nut	1
25	050068-002	Nut	2
26		Spacer (see Table)	1
27	128945-001	Battery Door 685 mm Battery Compartment	1
	128945-002	Battery Door 840 mm Battery Compartment	1
	128945-003	Battery Door 915 mm Battery Compartment	1
	104329	Compression Spring	1
	128967	Latch	1
	128966	Handle	1
	060009-136	Retaining Ring	1
	060120-001	Screw	1
28	050068-004	Nut	2
	129504	Battery Roller Kit 685 mm Battery Compartment	1
	129505	Battery Roller Kit 840 & 915 mm Battery Compartment	1

Battery Compartment Size	Battery Width	Spacer Kit	Position 26
685 mm	675 to 690 mm	Not Required	Not Required
840 mm	740 to 760 mm	129503	128669
840 mm	795 to 810 mm	129501	128667
840 mm	825 to 835 mm	Not Required	Not Required
915 mm	855 to 870 mm	129502	128668
915 mm	900 to 925 mm	Not Required	Not Required

Tab003gb

Always Specify Model & Serial Number  
To select part number, refer to truck data number.  
See Section ITD



**Suggest:**

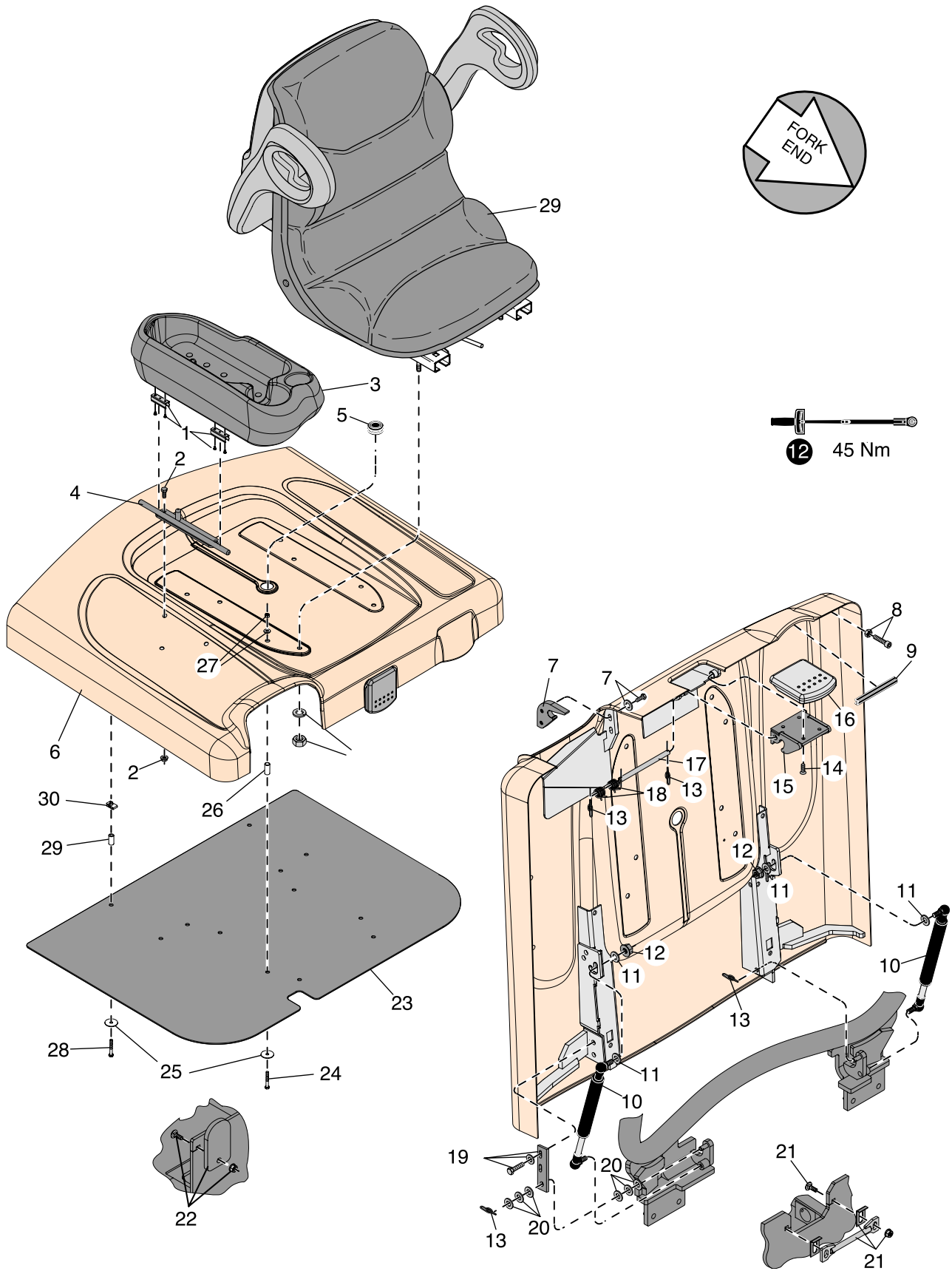
**If the above button click is invalid.**

**Please download this document**

**first, and then click the above link**

**to download the complete manual.**

**Thank you so much for reading**



MP-2040-002

**<https://www.ebooklibonline.com>**

Hello dear friend!

Thank you very much for reading.

Enter the link into your browser.

The full manual is available for immediate download.

**<https://www.ebooklibonline.com>**