

CROWN

ESR

Parts Manual



ESR4500 Series



TABLE OF CONTENTS

Table of Content

ITD – INTRODUCTION	PAGE	SERIAL NR. CUT	REV.
General	7		
SECTION 1 – COVERS	PAGE	SERIAL NR. CUT	REV.
Covers	12, 14		02 Rev. 11/05
Covers	16	5A204796	01 Rev. 05/05
Covers	16A	5A204798	02 Rev. 11/05
Skid Block and Wear Strips	18	5A204488	
Skid Block and Wear Strips	18A	5A204490	01 Rev. 11/05
Reach Carriage	20		01 Rev. 05/05
Load Wheel	22		01 Rev. 11/05
Battery Lock	24		01 Rev. 05/05
Battery Reach Out	26	5A203866	
Battery Reach Out	26A	5A203868	02 Rev. 11/05
Seat & Pan	28		01 Rev. 05/05
Seat	30	5A203880	
Seat	30A	5A203882	01 Rev. 05/05
Rear Mirror	32		
Guide Wheels	34		
Overhead Guard	36		01 Rev. 05/05
Accessories	38		02 Rev. 11/05
SECTION 2 – HYDRAULIC PART	PAGE	SERIAL NR. CUT	REV.
Tube-/Hose Layout	42		02 Rev. 11/05
Hydraulic Tank	44		01 Rev. 05/05
Hydraulic TT Mast	46, 48	5A203818	
Hydraulic TT Mast	46A	5A203820	01 Rev. 05/05
Valve Block	50		
Pump	52		
Pump Motor and Pump	54		01 Rev. 05/05
Pump Motor	56		01 Rev. 05/05
SECTION 3 – DRIVE UNIT	PAGE	SERIAL NR. CUT	REV.
Drive Unit	60	5A204000	
Drive Unit	60A	5A204002	01 Rev. 05/05
Drive Unit	60B	5A204798	02 Rev. 11/05
Gearbox	62	5A204796	
Gearbox	62A	5A204798	01 Rev. 11/05
Drive Motor	64		01 Rev. 05/05
SECTION 4 – ELECTRICAL	PAGE	SERIAL NR. CUT	REV.
Electrical Compartment	68, 70	5A204796	01 Rev. 05/05
Electrical Compartment	68A, 70A	5A204798	02 Rev. 11/05
Contactor	72		
Reach Slowdown	74		
HGTS Lift Speed Reduction	76	5A203818	
HGTS Lift Speed Reduction	76A	5A203820	01 Rev. 05/05
Height Encoder	78	5A203818	
Height Encoder	78A	5A203820	02 Rev. 11/05
Mast Wiring	80, 82		01 Rev. 05/05
Joystick and Emergency Disconnecter Switch	84	5A204796	01 Rev. 05/05
Joystick and Emergency Disconnecter Switch	84A, 86A	5A204798	02 Rev. 11/05
Direction Switch/Horn Button	88	5A204796	
Direction Switch/Horn Button	88A	5A204798	01 Rev. 11/05
Floorplate	90		
Accelerator	92		01 Rev. 05/05

<https://www.ebooklibonline.com>

Hello dear friend!

Thank you very much for reading.

Enter the link into your browser.

The full manual is available for immediate download.

<https://www.ebooklibonline.com>

Interrupteur de sécurité	94	01 Rev. 05/05
DC/DC Redresseur	96	01 Rev. 05/05
Tableau de commande	98	01 Rev. 05/05
Tableau d'affichage	100	5A204796 01 Rev. 05/05
Tableau d'affichage	100A	5A204798 02 Rev. 11/05
Lamp d'avertissement	102	01 Rev. 11/05
Pares de marche	104	01 Rev. 05/05
Pares de travail	106	
Signal sonore de marche-arrière	108	01 Rev. 05/05
Connexion et partie de fixation	110	
Klaxon	112	
System de refroidir	114	02 Rev. 11/05

CHAPITRE 5 – SYSTEME DE FREINAGE	PAGE	COUPURE NR. SÉRIE	REV.
---	-------------	--------------------------	-------------

Circuit de freinage	118		
Pédale de frein	120		
Frein moteur	122		
Frein roues porteuses	124		

CHAPITRE 6 – DIRECTION	PAGE	COUPURE NR. SÉRIE	REV.
-------------------------------	-------------	--------------------------	-------------

Moteur de direction	128	5A204796	
Moteur de direction	128A	5A204798	01 Rev. 11/05
Colonne de direction	130		01 Rev. 05/05

CHAPITRE 7 – MÂT	PAGE	COUPURE NR. SÉRIE	REV.
-------------------------	-------------	--------------------------	-------------

Mât TT 1.4t/1.6t	134, 136	5A203818	
Mât TT 1.4t/1.6t	134A, 136A	5A203820	01 Rev. 05/05
Mât TT 2.0t	138, 140	5A203818	
Mât TT 2.0t	138A, 140A	5A203820	01 Rev. 05/05
Chaîne de levage mât TT	142, 144		
Inclinaison/déplacement latéral.....	146, 148		
Inclinaison/déplacement latéral-hydraulique	150, 152, 154		02 Rev. 11/05
Arrotissement de levée	156		01 Rev. 05/05
Dent de fourche	158		01 Rev. 05/05
Butée de charge	160		
Poules de guidage	162		

CHAPITRE 8 – VÉRINS	PAGE	COUPURE NR. SÉRIE	REV.
----------------------------	-------------	--------------------------	-------------

Vérin de levée 1.4t/1.6t	166	5A203818	
Vérin de levée 1.4t/1.6t	166A	5A203820	01 Rev. 05/05
Vérin de levée 2.0t.....	168	5A203818	
Vérin de levée 2.0t.....	168A	5A203820	01 Rev. 05/05
Vérin de levée libre 1.4t/1.6t.....	170		
Vérin de levée libre 2.0t.....	172		
Vérin de rétraction	174		

CHAPITRE 9 – CABIN/PLATE - FORME	PAGE	COUPURE NR. SÉRIE	REV.
---	-------------	--------------------------	-------------

Cabine chambres froides	178		02 Rev. 02/06
-------------------------------	-----------	--	---------------

CHAPITRE 10 – AUTRES INFORMATIONS	SPAGE	COUPURE NR. SÉRIE	REV.
--	--------------	--------------------------	-------------

Autocolants et étiquettes	182		02 Rev. 11/05
---------------------------------	-----------	--	---------------

CROWN



INTRODUCTION

Important customer information

To ensure the safety of the truck, you, the customer, must only carry out maintenance and repairs as stipulated in the operator manual.

Any additional work must be performed by Crown authorised service technicians. Authorised service technicians have the required expertise and up-to-date service information.

If you wish to have your own technicians trained, please contact Crown for relevant training courses.

Subsequent Attachments and Modifications made to the Truck

DANGER!



Any proposed modification which would alter the original condition of the truck when delivered, must first be assessed and approved in writing by Crown Gabelstapler GmbH.

- *The net weight and position of attachments may considerably affect the capacity and other truck characteristics.*
- *Changing the electrical system or adding electrically operated components may result in operating faults.*

Modifications which have not been assessed may result in fatal accidents!

Ordering Spare Parts

Spare parts can be ordered by quoting:

- The truck specification number
- The truck model number
- The truck serial number

This information can be found on the truck's data plate. Only if this information is provided can the order be processed quickly, correctly and reliably.

Please refer to the Technical Specifications Sheet for the utilisable loads, technical data and dimensions for this series. Brochures can be obtained from your CROWN dealer or from the following address:

CROWN Gabelstapler GmbH & CoKG
Moosacher Str. 52
80809 Munich
GERMANY
Tel.: +49 (0)89 / 93 002 -0
Fax: +49 (0)89 / 93 002 -175 oder 133

CROWN



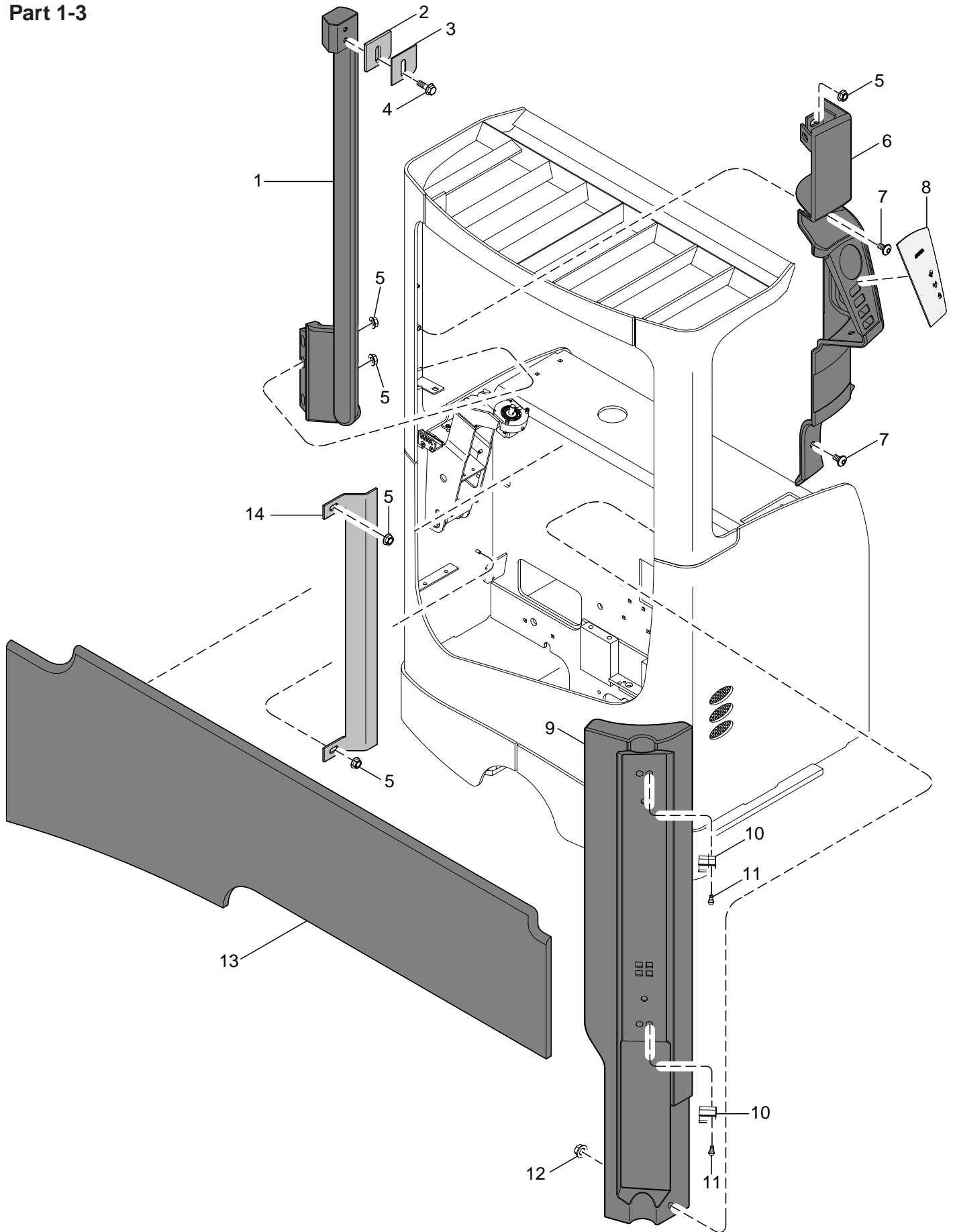
PARTS

CROWN



SECTION 1

Part 1-3



MP-2140-063

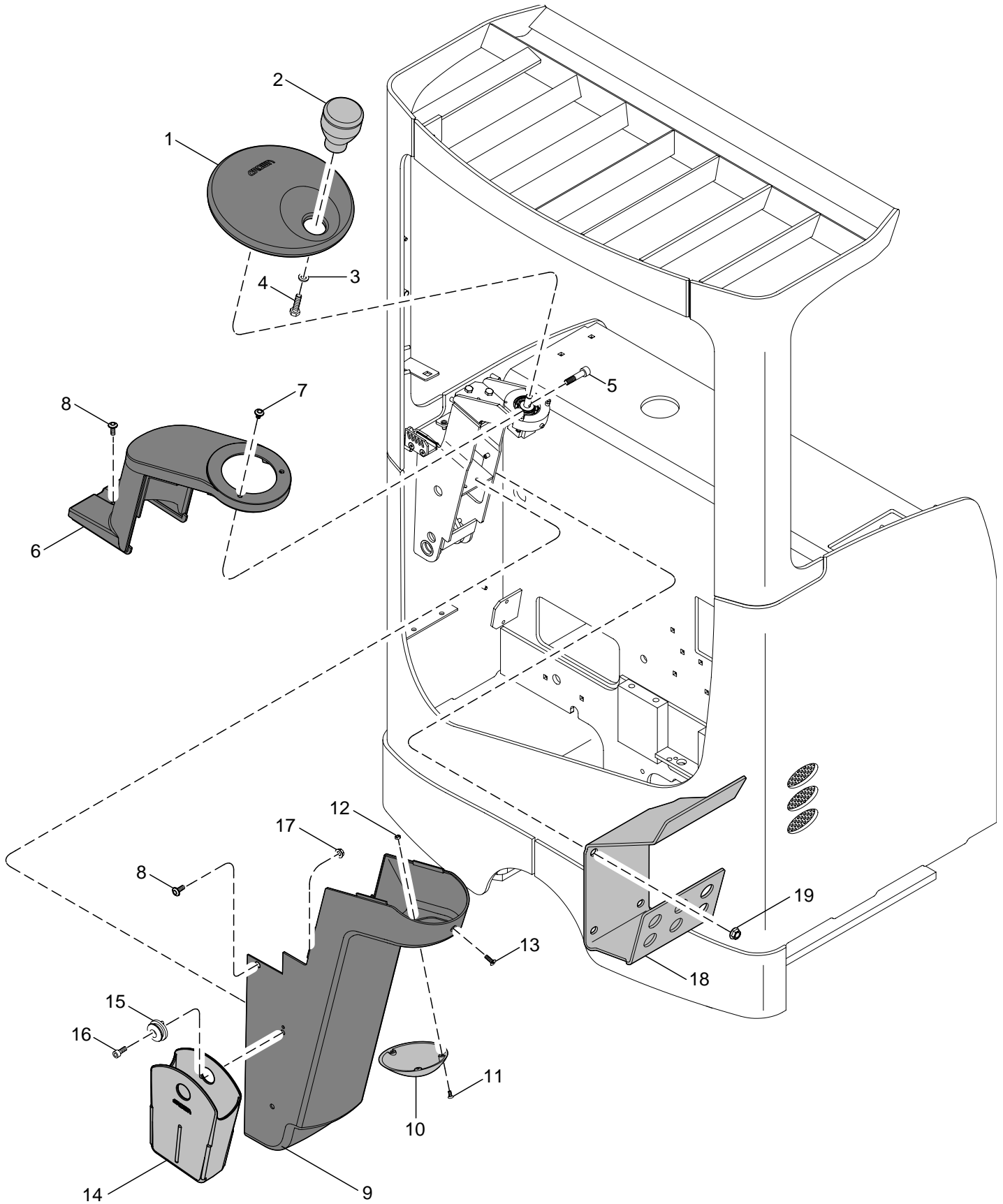
INDEX	PART NUMBER	PART NAME	NUMBER REQUIRED
1	791764-003	Grab Handle	1
2	813005-001	Spacer (5mm)	1
3	813005-002	Spacer (2mm)	1
4	050067-024	Screw	1
5	050068-003	Nut	6
6	806686-002	Corner Cover	1
7	050071-035	Screw	2
8	815013	Display Overlay	1
	807053-002	Insert	2
	796164	Display Overlay (Drive in Racking)	1
9*	806687	Head Rest	1
10*	051068-003	Clip	2
11*	050004-020	Screw	4
12	050068-004	Nut	1
13	806931	Leg Pad	1
	053050-012	Adhesive Tape	AR
14	812363	Harness Cover	1
*	807352	Head Rest Assembly (included 9 - 11)	1

Not illustrated

796166	Switch Cover (Drive in Racking)	2
050071-012	Screw (Drive in Racking)	4
796708	Headrest (Drive in Racking)	1

Always Specify Model & Serial Number
To select part number, refer to truck data number.
See Section ITD

Part 2-3

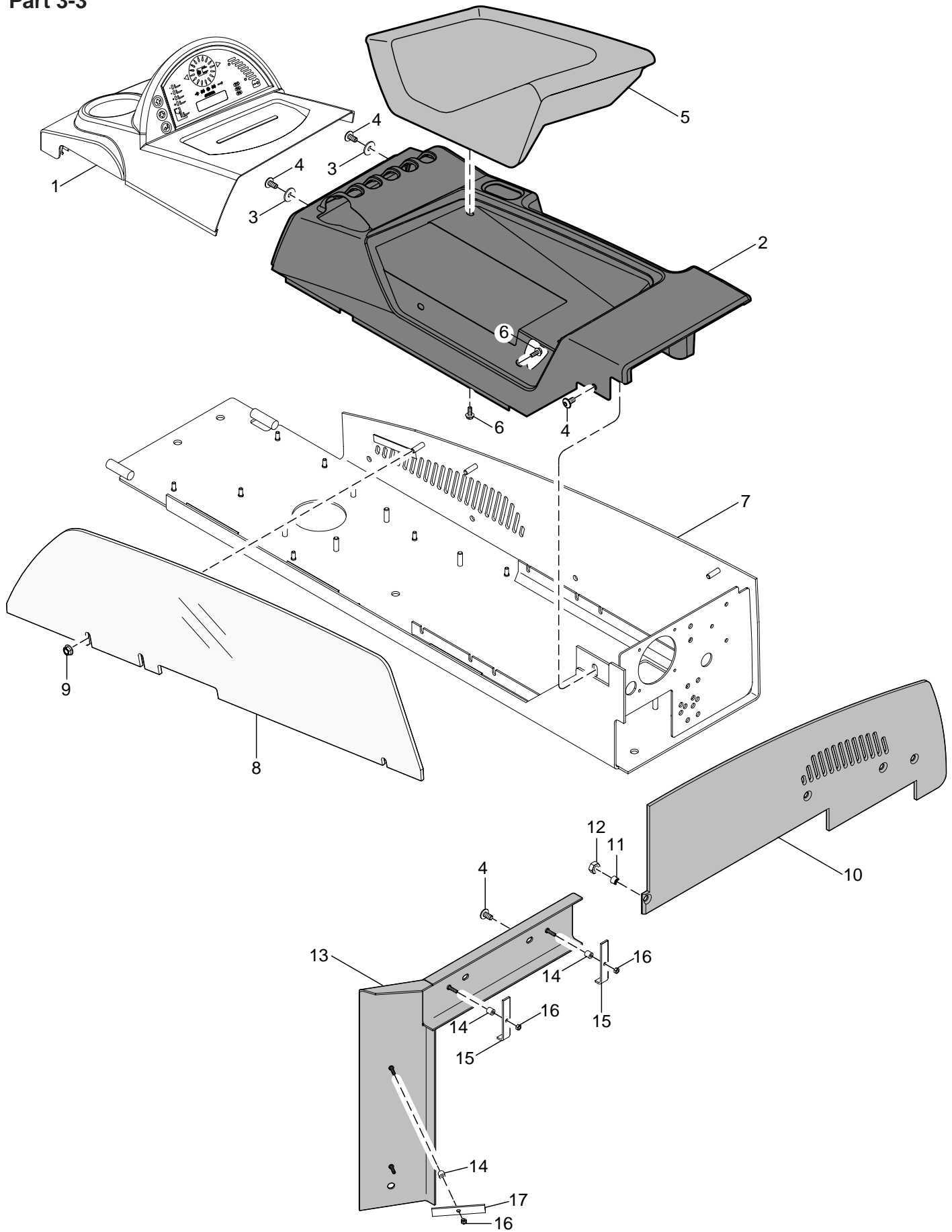


MP-2140-064

INDEX	PART NUMBER	PART NAME	NUMBER REQUIRED
1.....	815040	Steering Wheel	1
2.....	118917	Spinner knob	1
3.....	050010-021	Washer	1
4.....	060016-019	Screw	1
5.....	050005-028	Screw	1
6.....	812138	Steering Column Cover	1
7.....	050071-019	Screw	2
8.....	050071-020	Screw	4
9.....	812125	Steering Column Cover	1
10.....	812127	Cover	1
11.....	050003-010	Screw	3
12.....	050008-001	Nut	3
13.....	050003-014	Screw	1
14.....	125502	Pocket Storage	1
15.....	125503	Mount Pocket	1
16.....	050005-060	Screw	2
17.....	050068-002	Nut	2
18.....	812364	Tray	1
19.....	050068-003	Nut	4

Always Specify Model & Serial Number
 To select part number, refer to truck data number.
 See Section ITD

Part 3-3

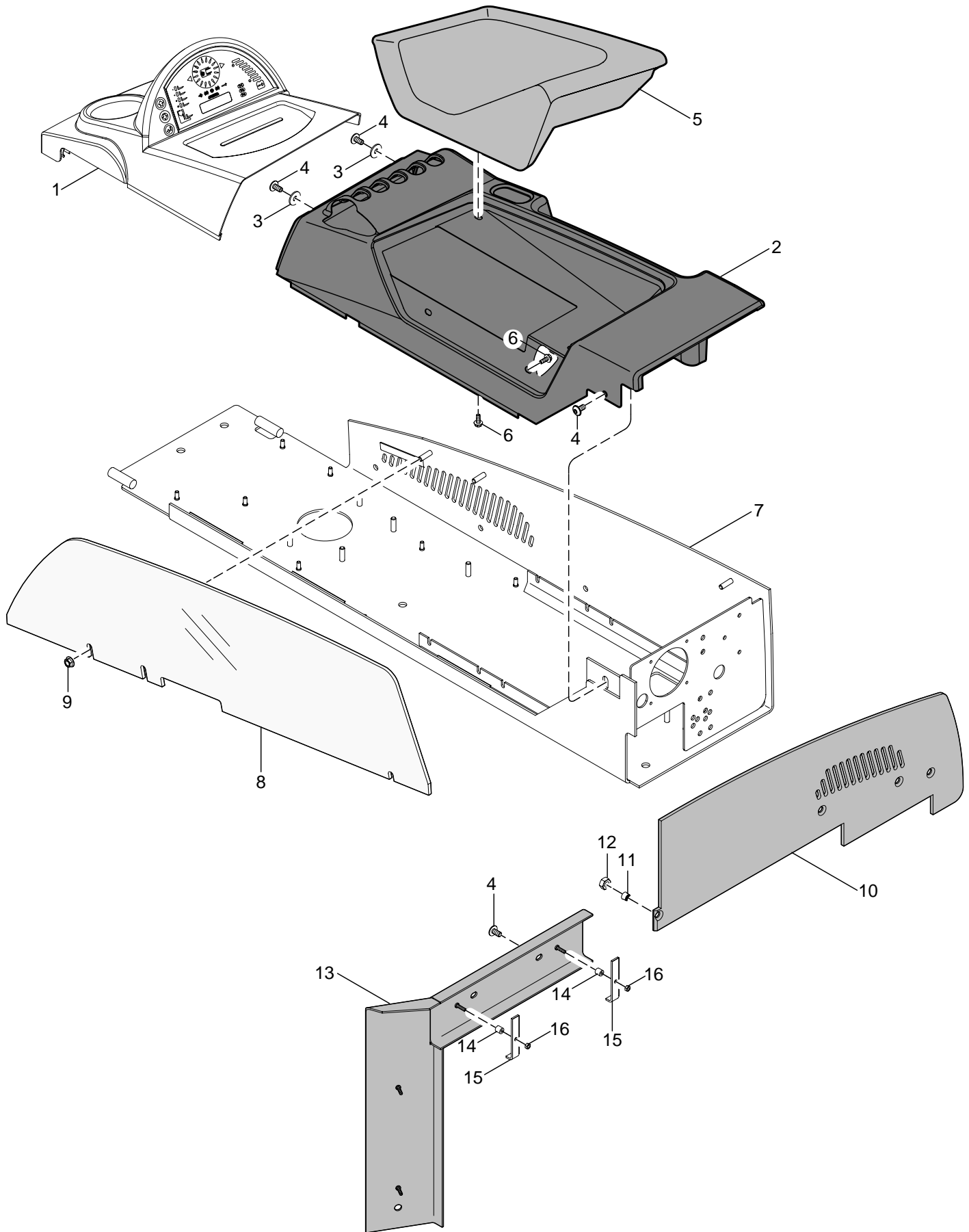


MP-2140-062

INDEX	PART NUMBER	PART NAME	NUMBER REQUIRED
1		Instrumentation (see Section 4.9)	1
2*	807098	Armrest Moulding	1
	796489	Armrest Moulding (6th Function Valve)	1
3	050009-020	Washer	2
4	050071-035	Screw	6
5*	806689	Armrest Pad	1
6*	050067-012	Screw	5
7		Compartment Tray (see Section 4.1)	1
8	806973	Hand Guard	1
	796024	Hand Guard (Drive in Racking)	1
9	050068-003	Nut	3
10	812247	Plate	1
	814887	Plate (Drive in Racking)	1
11	807053-002	Insert	3
12	050008-030	Nut	3
13	816196	Cover	1
	806499	Cover (Drive in Racking)	1
14	052068-002	Spacer	4
15	816095	Cable Clamp	2
	807764	Cable Clamp (Drive in Racking)	2
16	050008-008	Nut	4
17	807765	Cable Clamp (Drive in Racking)	2
*	806929	Armrest Assembly (included 2, 5, 6/without 796489)	1

Always Specify Model & Serial Number
 To select part number, refer to truck data number.
 See Section ITD

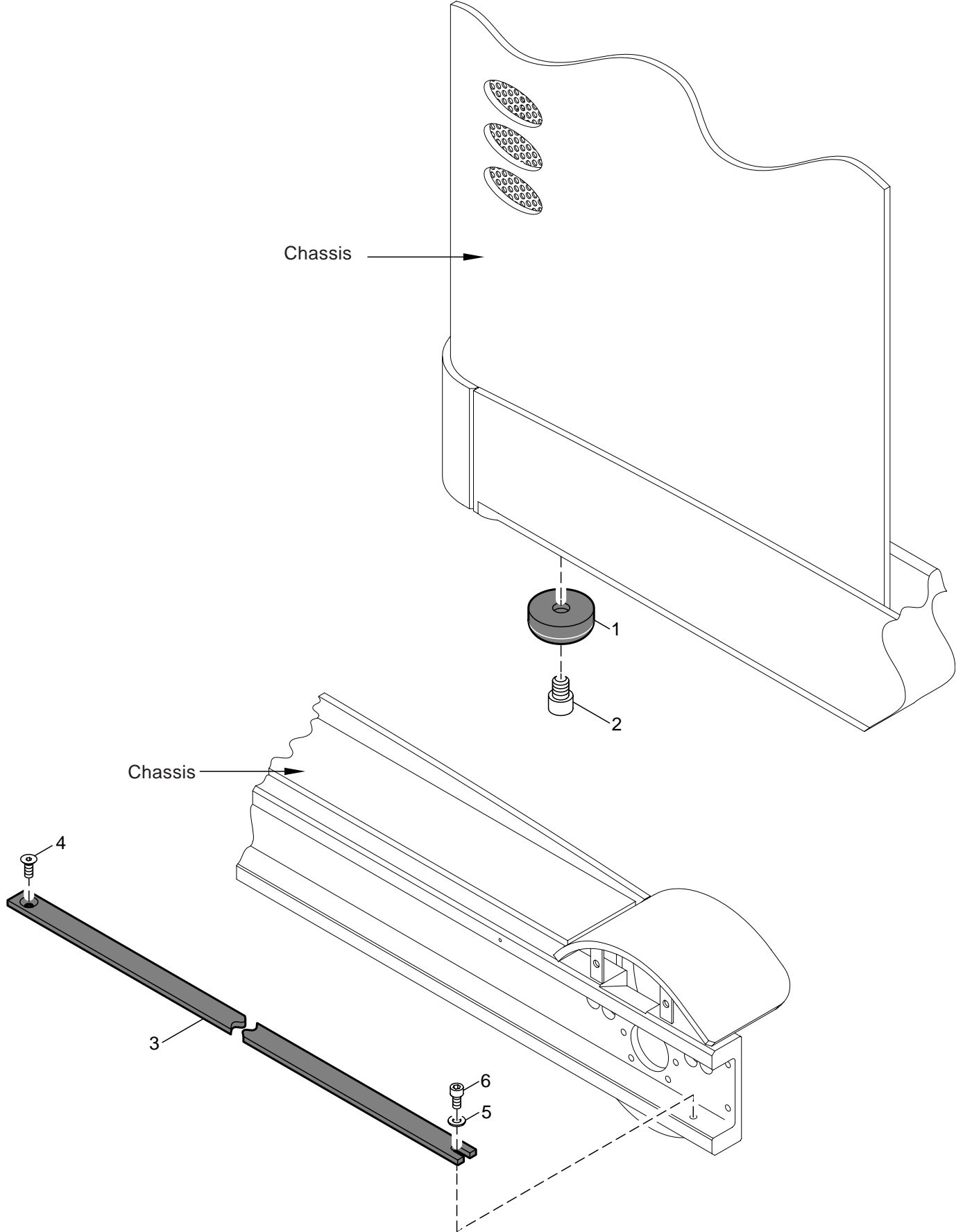
Part 3-3



MP-2140-115

INDEX	PART NUMBER	PART NAME	NUMBER REQUIRED
1		Instrumentation (see Section 4.9)	1
2*	807098	Armrest Moulding	1
	816994	Armrest Moulding (Dual-Axis Controls)	1
	796489	Armrest Moulding (6th Function Valve)	1
3	050009-020	Washer	2
4	050071-035	Screw	6
5*	806689	Armrest Pad	1
6*	050067-012	Screw	5
7		Compartment Tray (see Section 4.1)	1
8	806973	Hand Guard	1
	796024	Hand Guard (Drive in Racking)	1
9	050068-003	Nut	3
10	812247	Plate	1
	814887	Plate (Drive in Racking)	1
11	807053-002	Insert	3
12	050008-030	Nut	3
13	816196	Cover	1
14	052068-002	Spacer	4
15	816095	Cable Clamp	2
16	050008-008	Nut	4
*	818543-001	Armrest Assembly (included 2, 5, 6/without 796489)	1
*	818543-002	Armrest Assembly (Dual-Axis Controls/included 2, 5, 6/without 796489)	1

Always Specify Model & Serial Number
 To select part number, refer to truck data number.
 See Section ITD



MP-2140-029

INDEX	PART NUMBER	PART NAME	NUMBER REQUIRED
1.....	790797-001	Block, Skid	2
2.....	790798	Screw	2
3.....	810637-***	Wear Strips (see Table).....	2
	814895-***	Wear Strips (see Table/Freezer/Corrosion)	2
4.....	050003-043	Screw	2
5.....	050009-026	Washer	2
6.....	050005-068	Screw	2

Position 3				
	1,4t Leg Width 1285 mm	1,6t & 2,0t Leg Width 1285 mm	1,4t Leg Width 1425 & 1575 mm	1,6t & 2,0t Leg Width 1425 & 1575 mm
Load Wheel Ø 285 mm	810637-001	810637-002	810637-004	810637-005
Load Wheel Ø 330 mm		810637-003		810637-006

Tab019gb

Position 3 Freezer/Corrosion				
	1,4t Leg Width 1285 mm	1,6t & 2,0t Leg Width 1285 mm	1,4t Leg Width 1425 & 1575 mm	1,6t & 2,0t Leg Width 1425 & 1575 mm
Load Wheel Ø 285 mm	814895-001	814895-002	814895-004	814895-005
Load Wheel Ø 330 mm		814895-003		814895-006

Tab020gb

Always Specify Model & Serial Number
To select part number, refer to truck data number.
See Section ITD



Suggest:

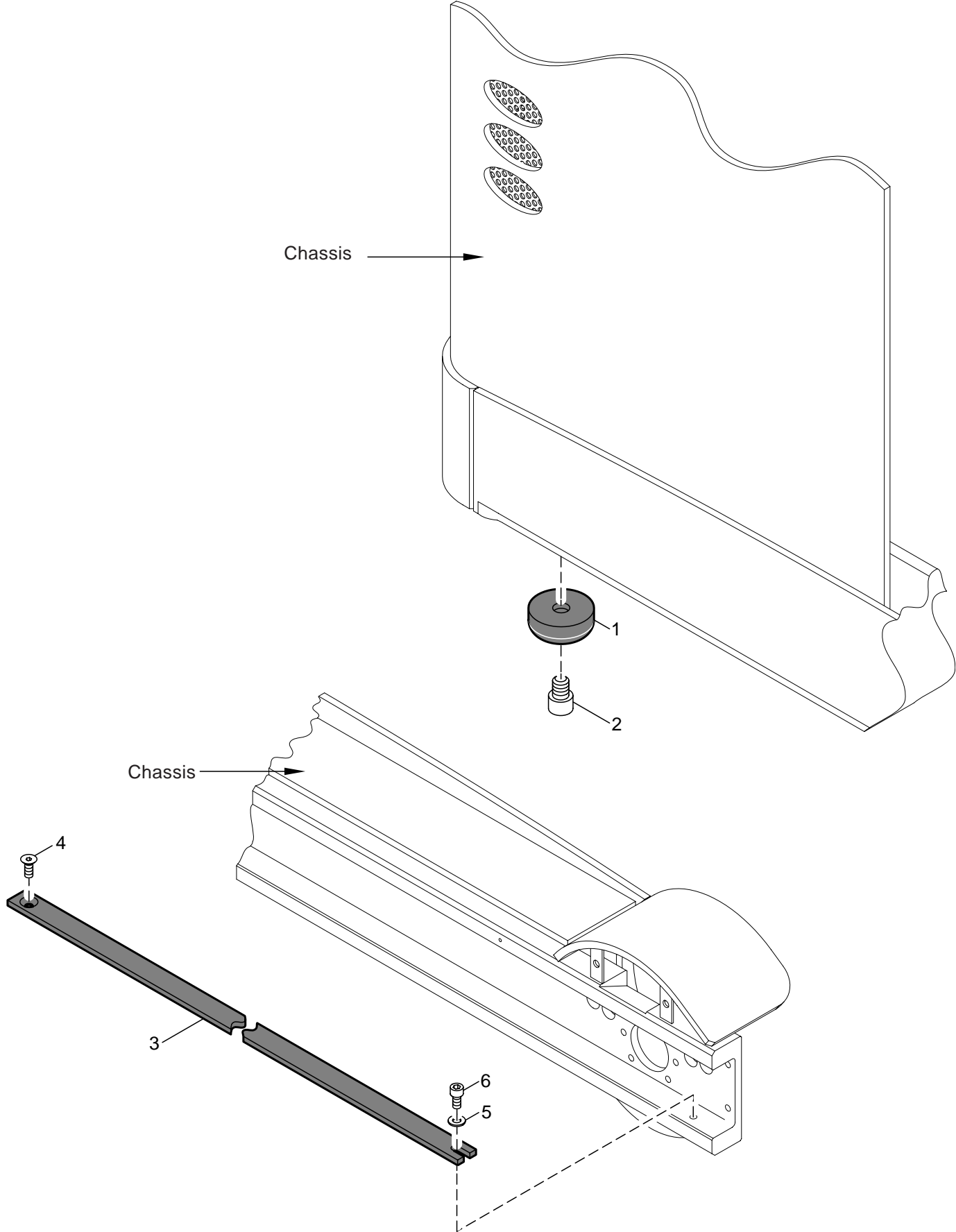
If the above button click is invalid.

Please download this document

first, and then click the above link

to download the complete manual.

Thank you so much for reading



MP-2140-029

<https://www.ebooklibonline.com>

Hello dear friend!

Thank you very much for reading.

Enter the link into your browser.

The full manual is available for immediate download.

<https://www.ebooklibonline.com>