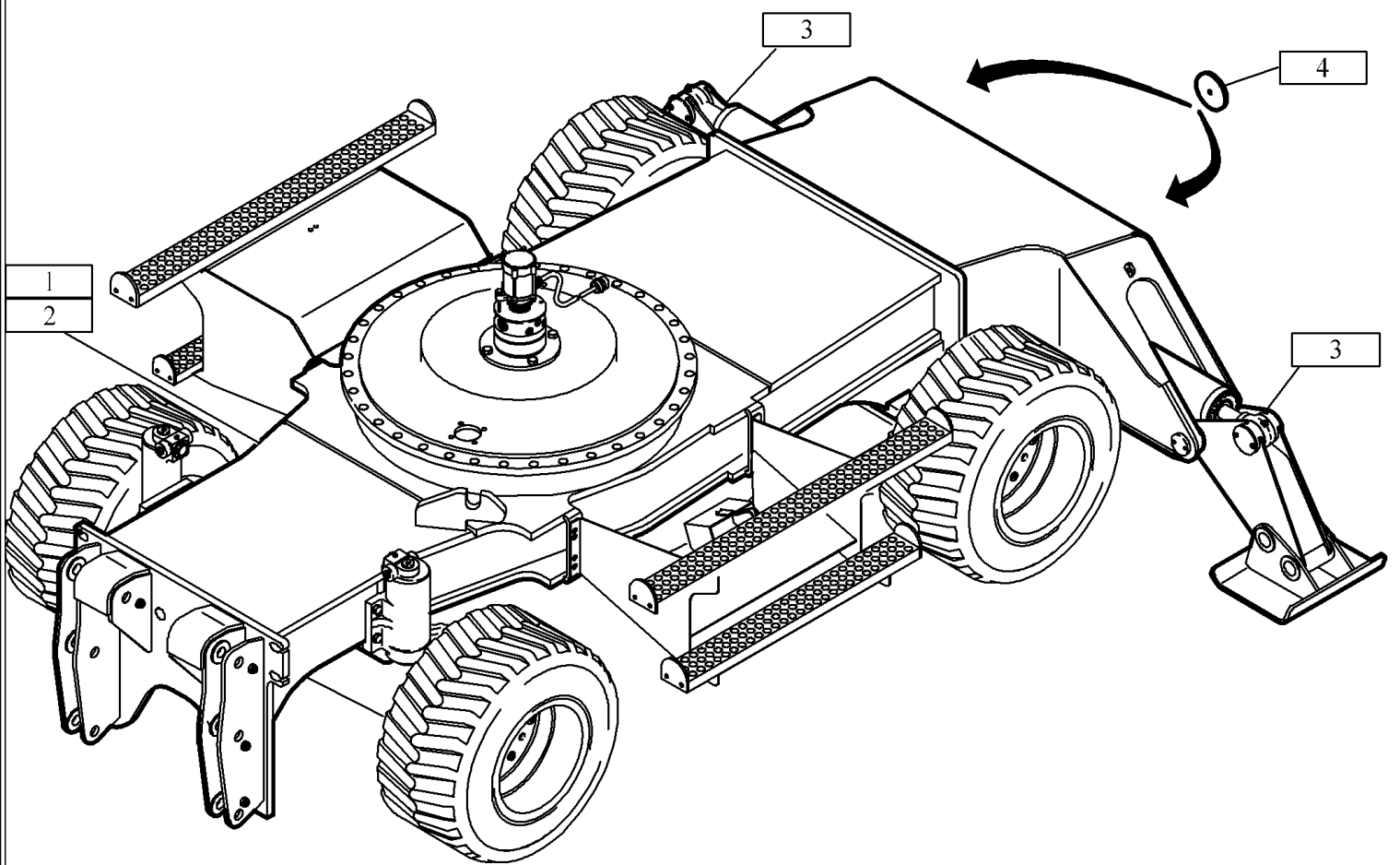




PARTS CATALOGUE

WX240



WX240 WHEELED EXCAVATOR (4/04-)

00.200(001) LOWER CARRIAGE EXCAVATOR (S/N 303501-UP)

Ref	Part Number	Qty	Description
1	NS	1	SEE FIGURE 01.200/001
2	NS	1	SEE FIGURE 01.200/002
3	NS	1	SEE FIGURE 04.010/001
4	NS	2	SEE FIGURE 35.050/001

<https://www.ebooklibonline.com>

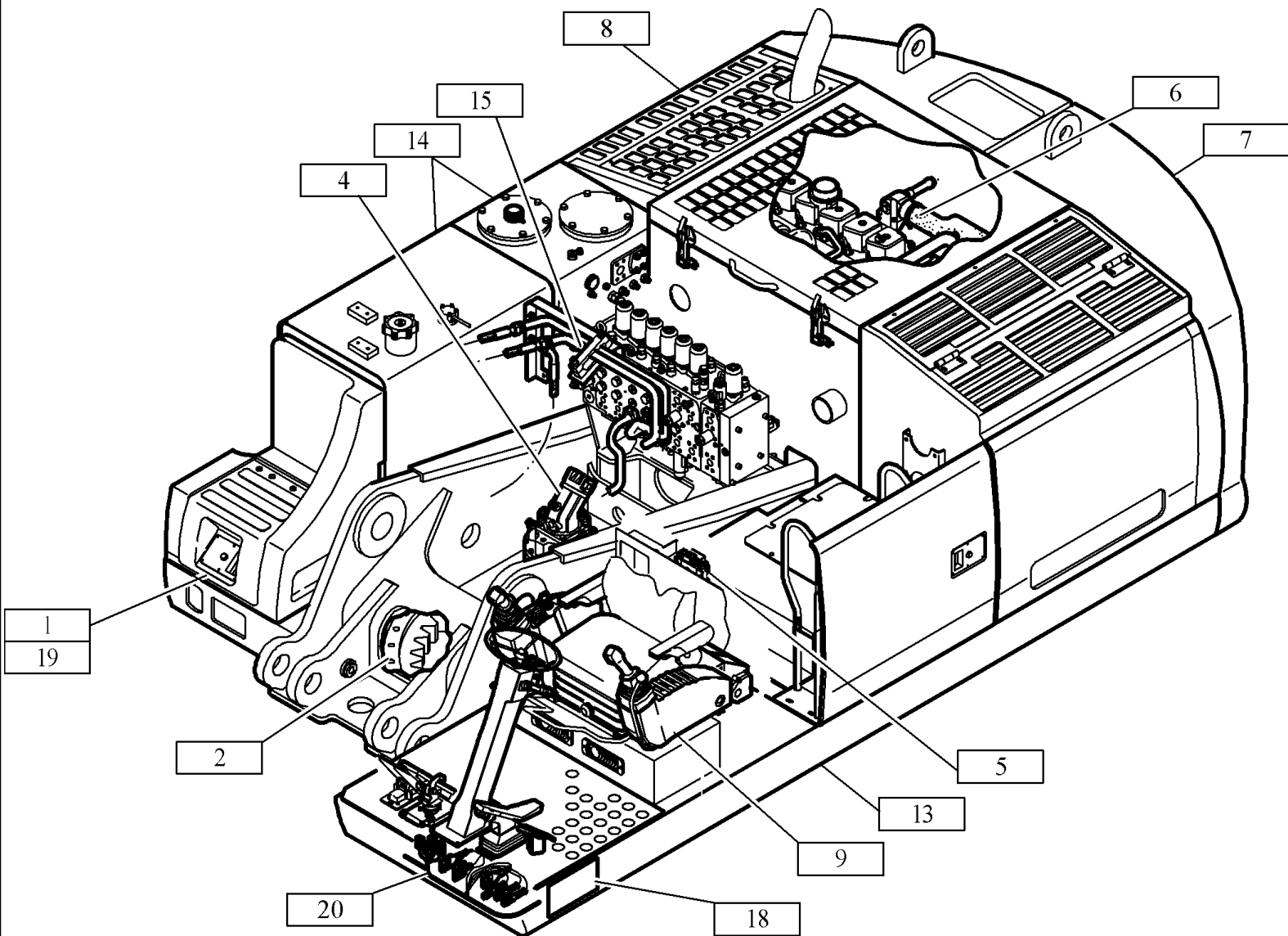
Hello dear friend!

Thank you very much for reading.

Enter the link into your browser.

The full manual is available for immediate download.

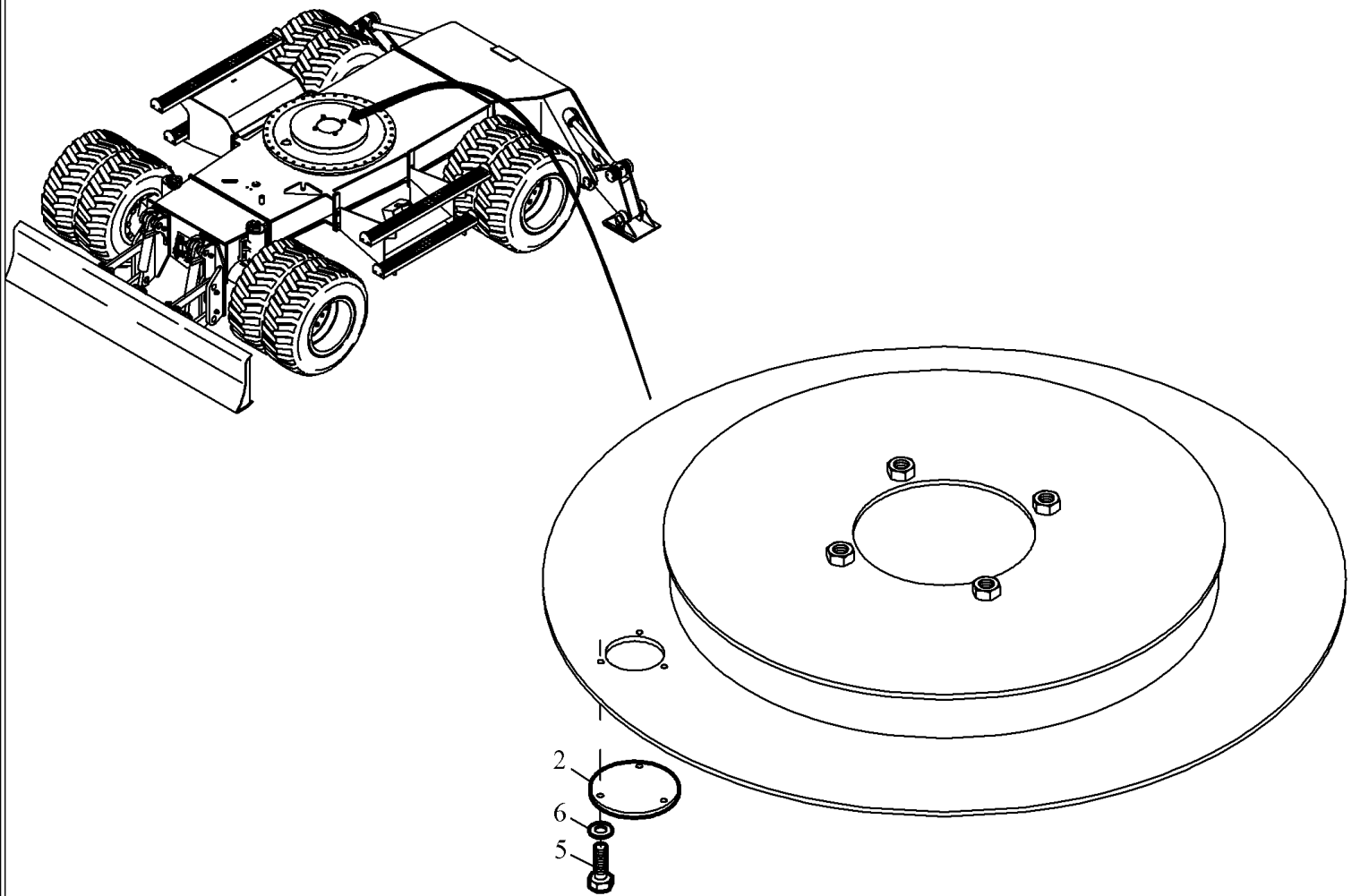
<https://www.ebooklibonline.com>



WX240 WHEELED EXCAVATOR (4/04-)

00.300(001) UPPER CARRIAGE EXCAVATOR (S/N 303501-UP)

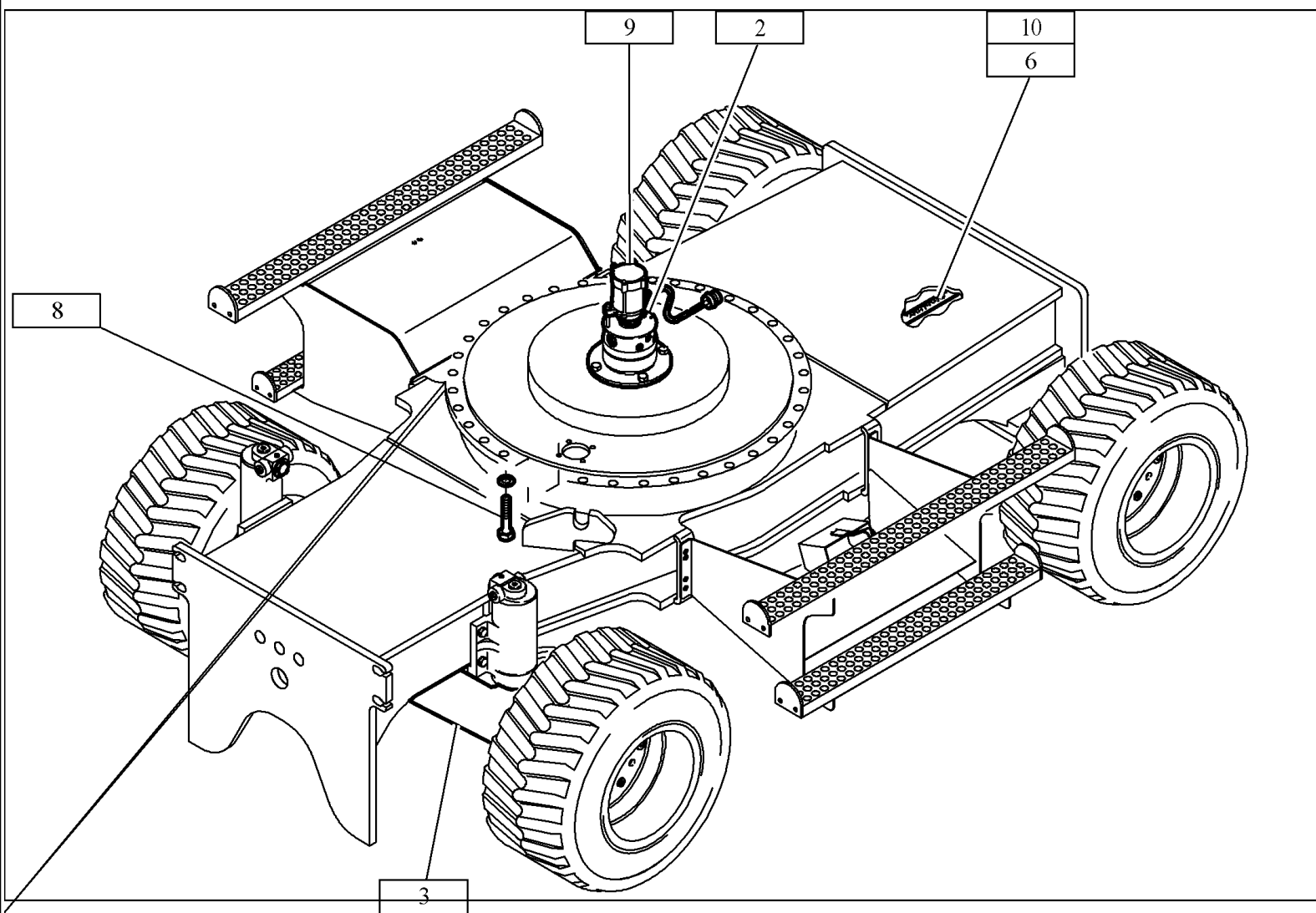
Ref	Part Number	Qty	Description
1	NS	1	SEE FIGURE 92.020/001
2	NS	1	SEE FIGURE 11.012/001
4	NS	1	SEE FIGURE 16.030/001
5	NS	1	SEE FIGURE 32.150/001
6	NS	1	SEE FIGURE 13.010/001
7	NS	1	SEE FIGURE 12.010/001
8	NS	1	SEE FIGURE 36.005/001
9	NS	1	SEE FIGURE 34.010/001
13	NS	1	SEE FIGURE 01.300/002
14	NS	1	SEE FIGURE 10.010/001
15	NS	1	SEE FIGURE 20.030/001
18	NS	1	SEE FIGURE 91.010/001
19	NS	1	SEE FIGURE 92.010/001
20	NS	1	SEE FIGURE 32.110/001



WX240 WHEELED EXCAVATOR (4/04-)

01.200(001) FRAME LOWER CARRIAGE WITH MOUNT. PARTS (S/N 303501-UP)

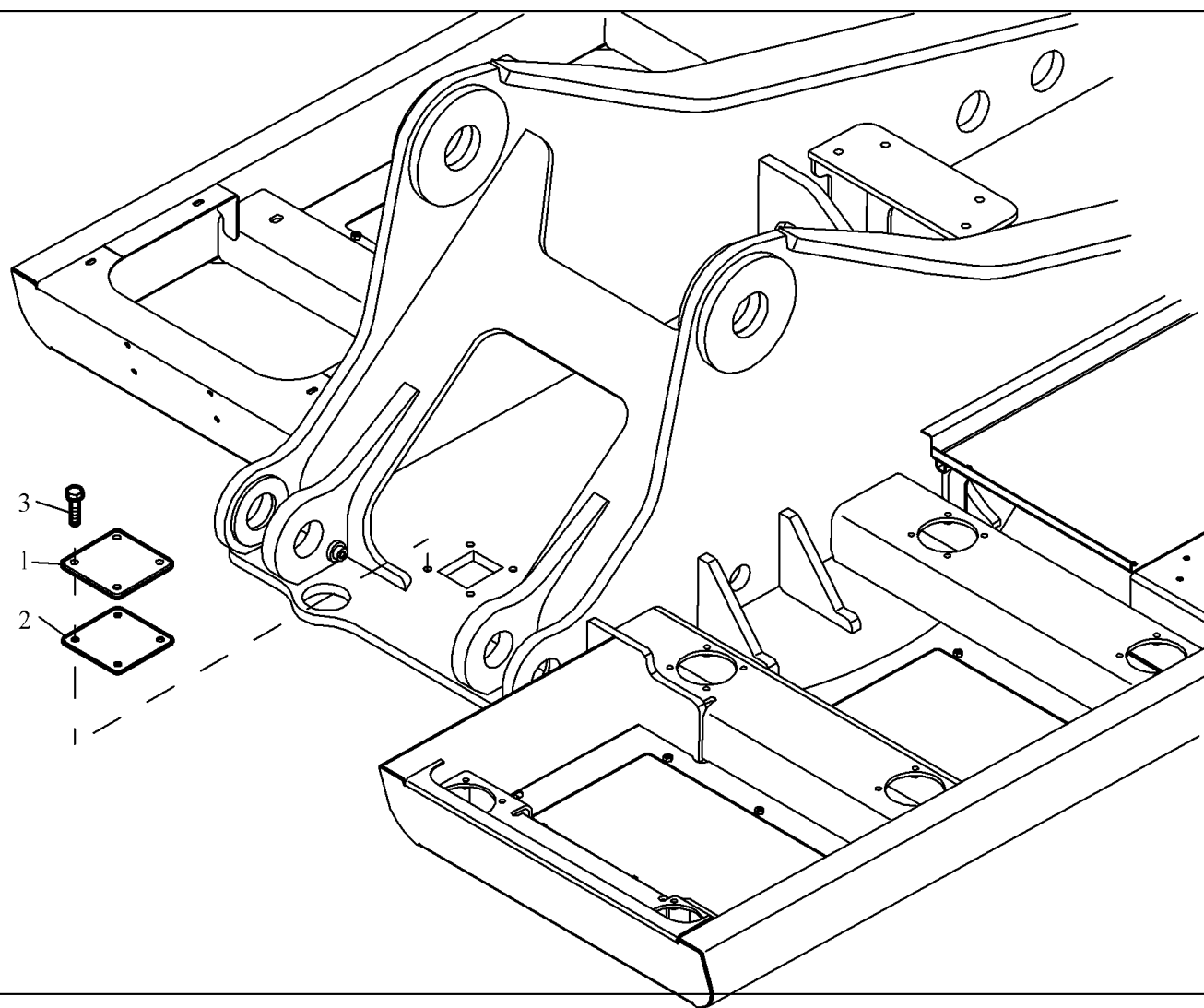
Ref	Part Number	Qty	Description
2	3030829	1	
5	614-6016	4	
6	895-11006	4	



WX240 WHEELED EXCAVATOR (4/04-)

01.200(002) FRAME LOWER CARRIAGE WITH MOUNT. PARTS (S/N 303501-UP)

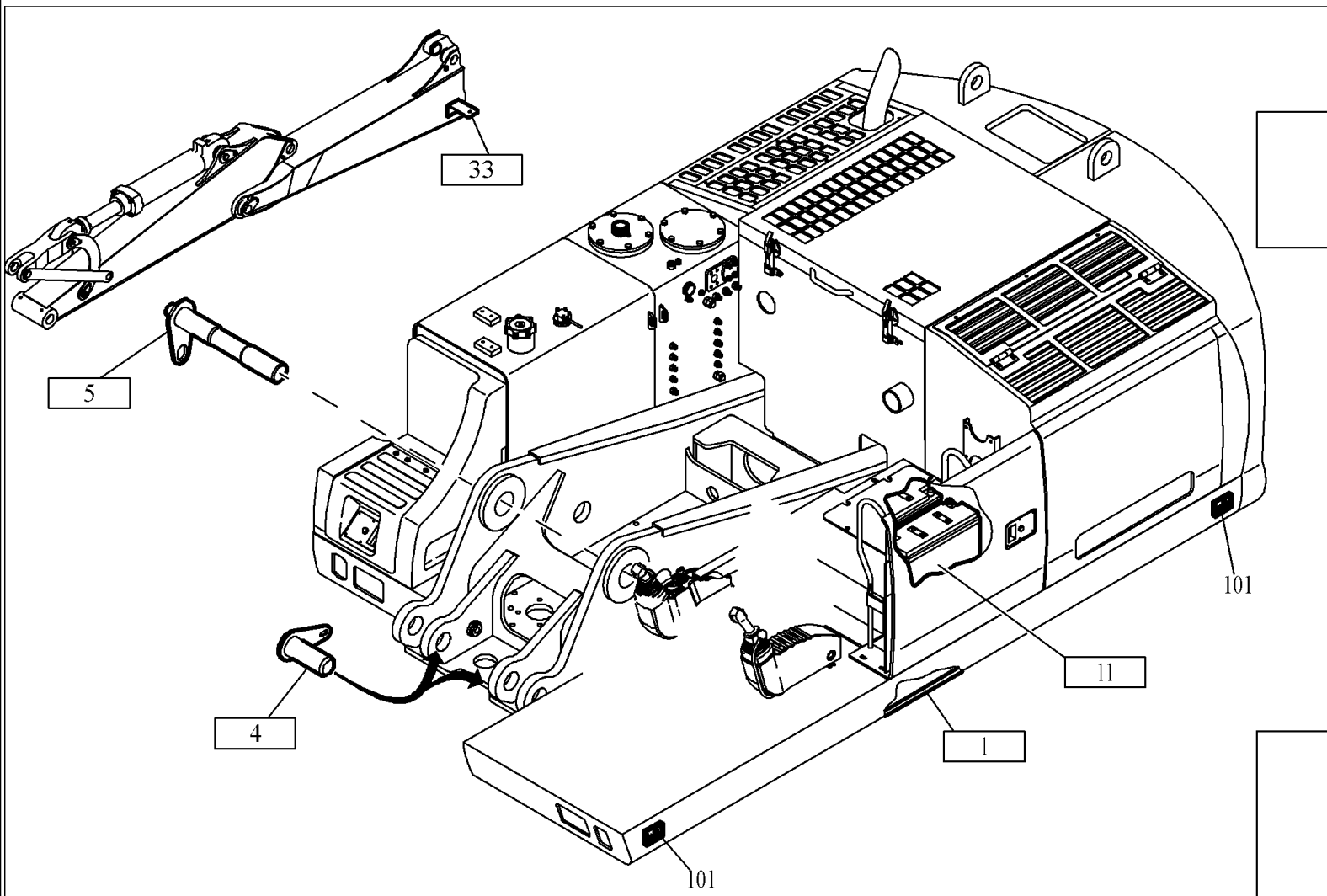
Ref	Part Number	Qty	Description
2	NS	1	SEE FIGURE 22.500/001
3	NS	1	SEE FIGURE 02.010/001
6	NS	1	SEE FIGURE 20.020/001
8	NS	1	SEE FIGURE 11.012/002
9	NS	1	SEE FIGURE 33.010/001
10	NS	1	SEE FIGURE 32.123/002



WX240 WHEELED EXCAVATOR (4/04-)

01.300(001) FRAME UPPER CARRIAGE WITH MOUNT. PARTS (S/N 303501-UP)

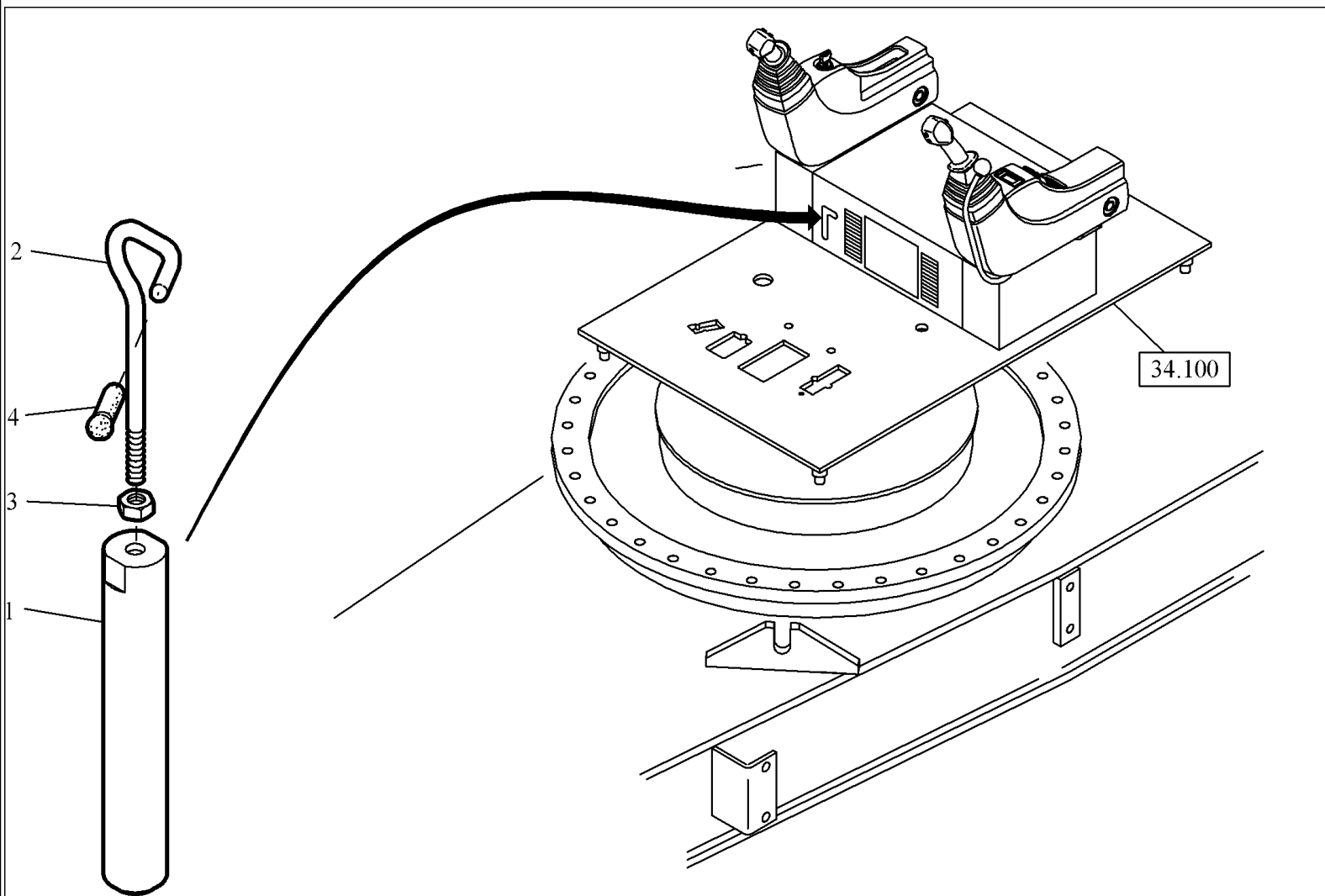
Ref	Part Number	Qty	Description
1	8902430	1	
2	8912589	1	
3	2975773	4	



WX240 WHEELED EXCAVATOR (4/04-)

01.300(002) FRAME UPPER CARRIAGE WITH MOUNT. PARTS (S/N 303501-UP)

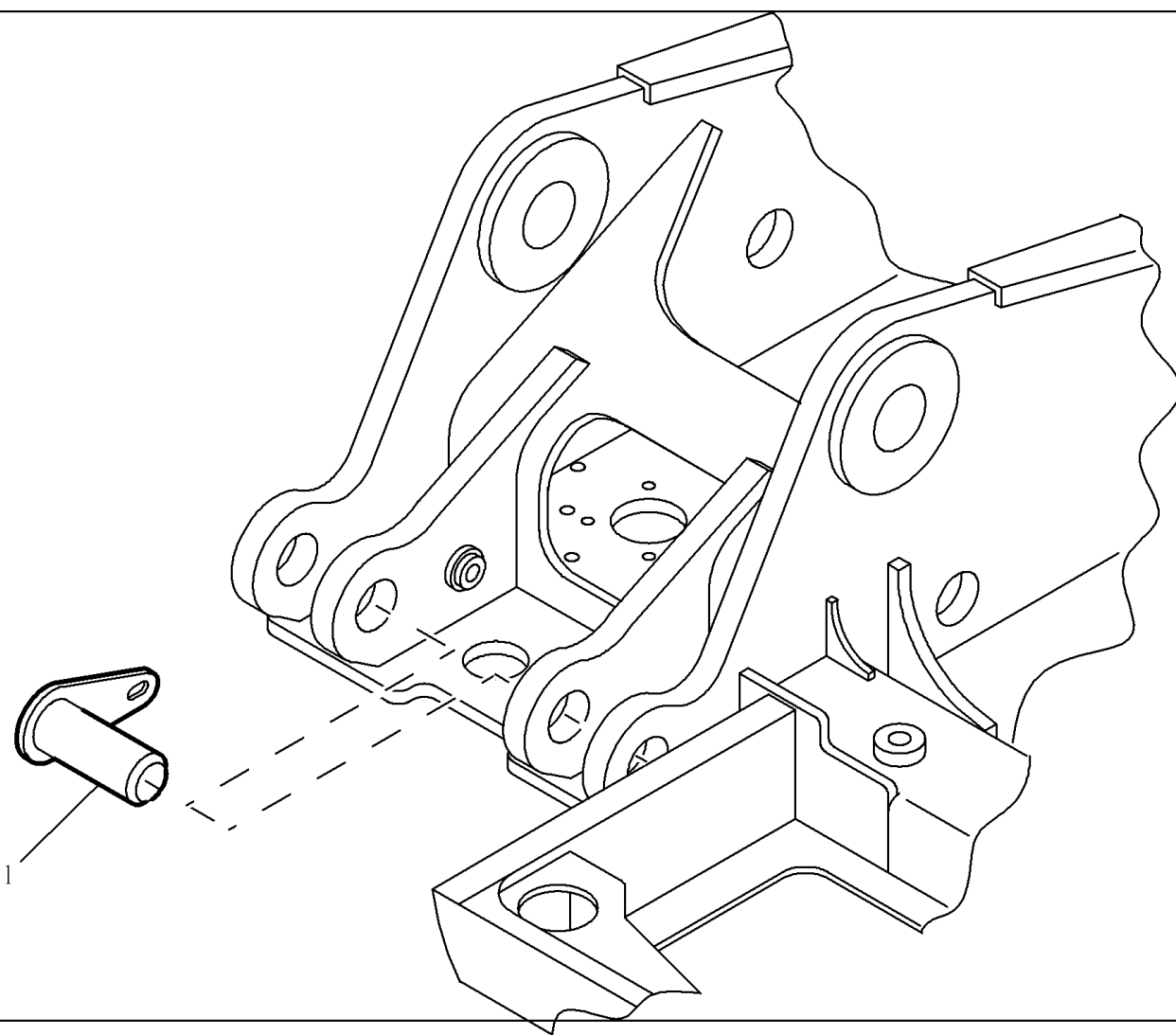
Ref	Part Number	Qty	Description
1	NS	1	SEE FIGURE 36.500/001
4	NS	2	SEE FIGURE 01.650/001
5	NS	1	SEE FIGURE 01.670/001
11	NS	1	SEE FIGURE 32.170/001
33	NS	1	SEE FIGURE 35.020/001
101	2929764	6	



WX240 WHEELED EXCAVATOR (4/04-)

01.642(001) LOCKING DEVICE FRAME (S/N 303501-UP)

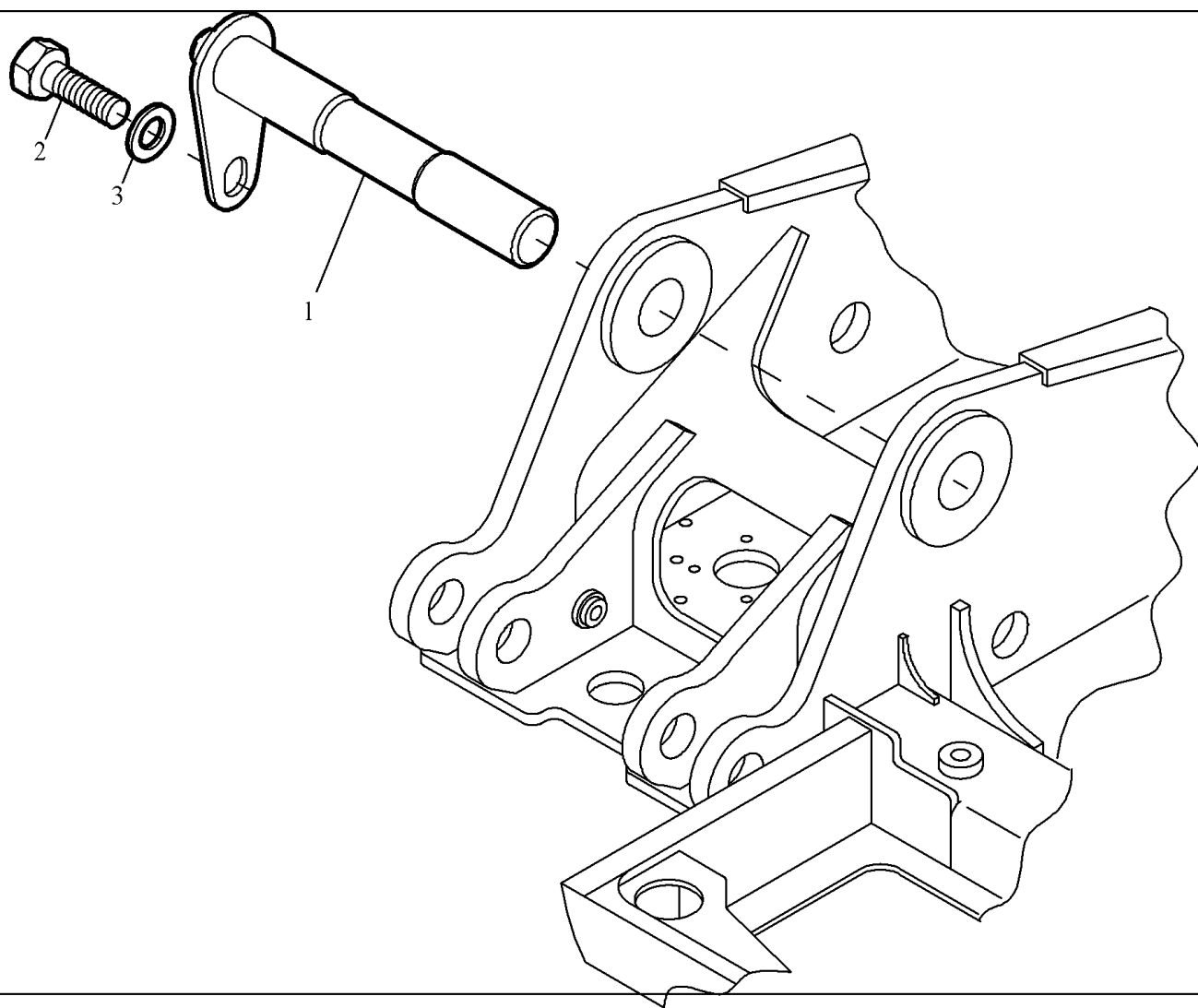
Ref	Part Number	Qty	Description
1	8914192	1	
2	8914190	1	
3	412672	1	
4	2479067	1	



WX240 WHEELED EXCAVATOR (4/04-)

01.650(001) BEARING BOOM CYLINDERS (S/N 303501-UP)

Ref	Part Number	Qty	Description
1	8901118	1	



WX240 WHEELED EXCAVATOR (4/04-)

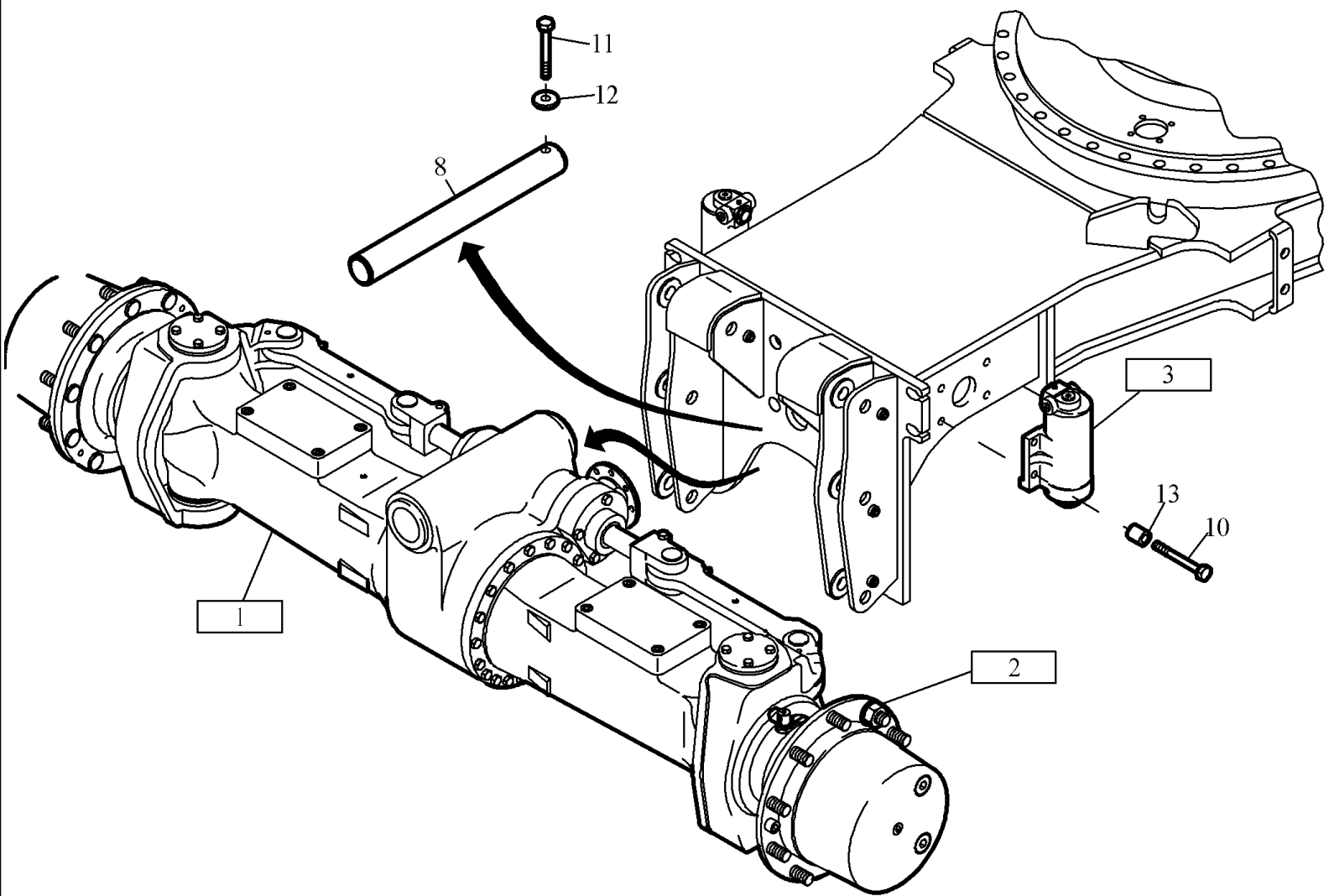
01.670(001) BEARING BOOM (S/N 303501-UP)

Ref	Part Number	Qty	Description
1	8914549	1	
2	2977292	1	
3	2247486	1	

WX240 WHEELED EXCAVATOR (4/04-)

01.810(001) STEPS INSTALL.MATERIAL (S/N 303501-UP)

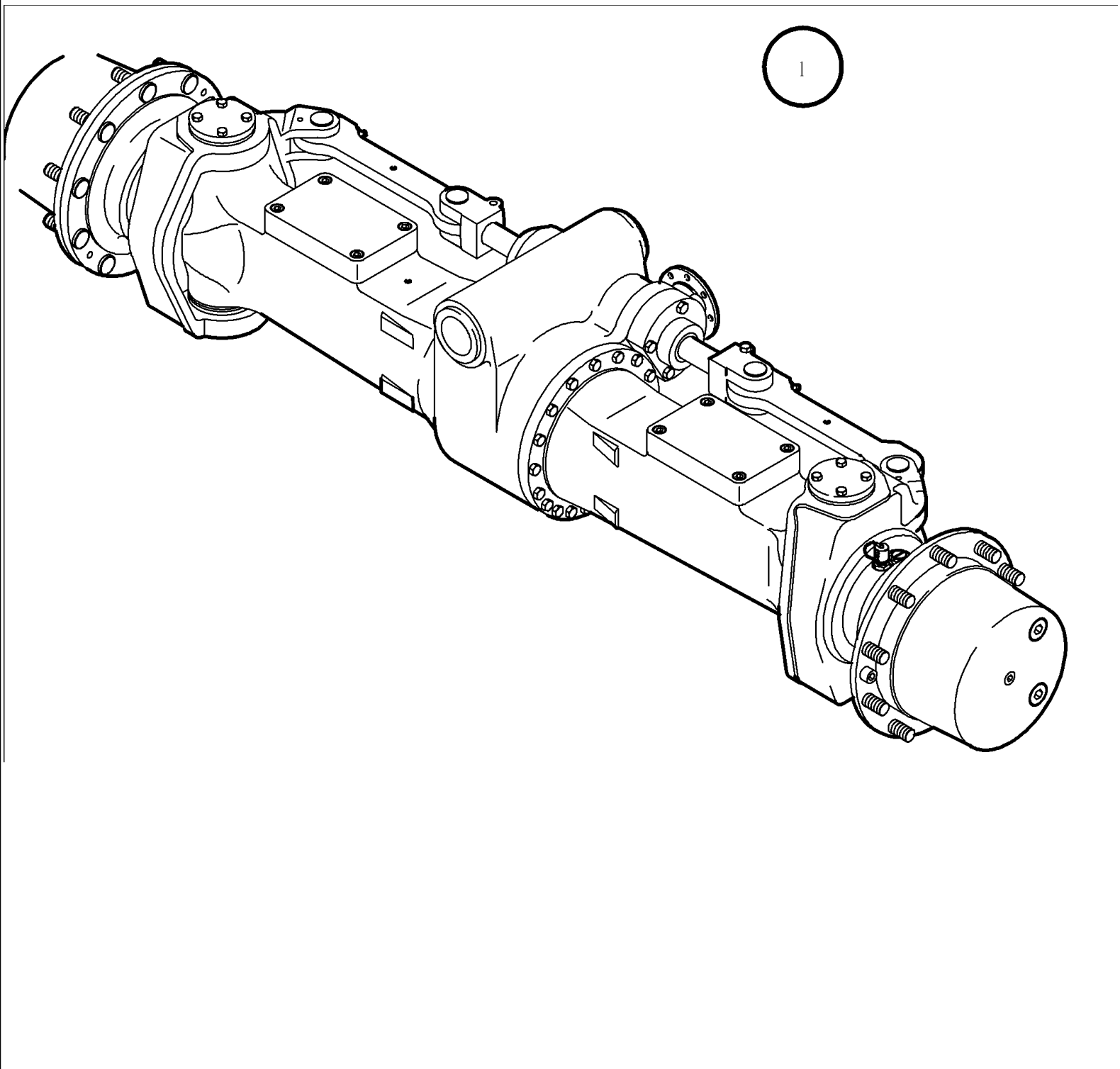
Ref	Part Number	Qty	Description
1	8919687	2	
5	614-16030	8	
6	2974088	8	
101	8919689	1	
102	1758070	AR	
103	2292135	1	
104	2292133	1	
105	1558667	2	
106	1188050	1	
107	8914423	1	
108	8919691	1	
110	2186414	1	
111	378056	3	
112	9706755	6	
113	896-11006	9	
116	627-6030	2	Hex, M6 x 30, 10.9, Full Thd
117	614-6022	2	
118	2975160	2	
119	421003A1	2	
120	614-8020	1	
121	2975567	1	
122	420221A1	1	
124	2478899	2	
125	8914431	4	
126	78008	8	
130	614-12040	8	
131	825-1412	8	
132	2975164	8	
203	1296565	1	



WX240 WHEELED EXCAVATOR (4/04-)

02.010(001) STEERING AXLE INSTALL.MATERIAL (S/N 303501-UP)

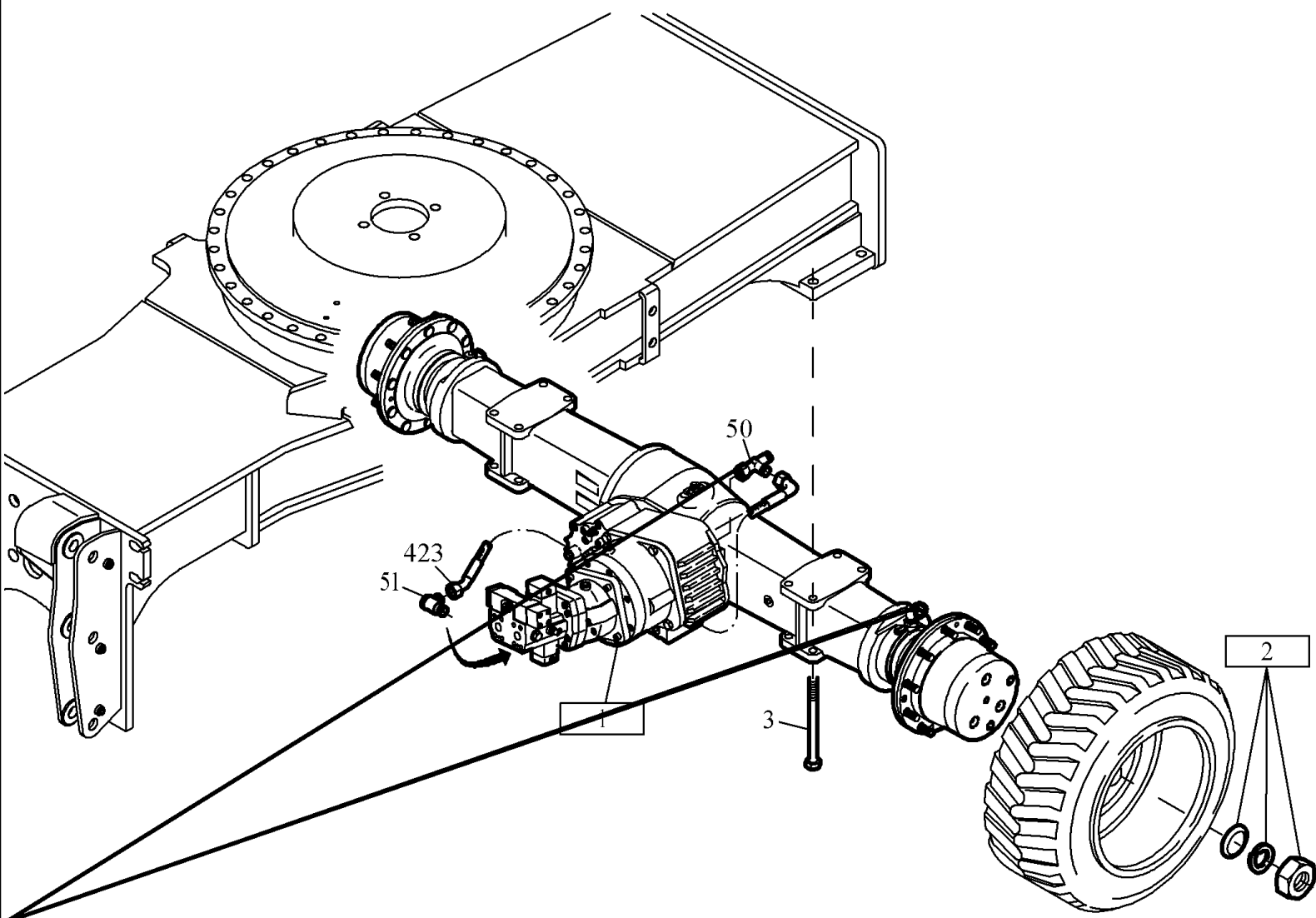
Ref	Part Number	Qty	Description
1	NS	1	SEE FIGURE 02.012/001
2	NS	1	SEE FIGURE 05.110/001
3	NS	2	SEE FIGURE 24.310/001
8	8903560	1	
10	1637385	8	
11	518161	1	
12	2247485	1	
13	1295142	8	



WX240 WHEELED EXCAVATOR (4/04-)

02.012(001) STEERING AXLE (S/N 303501-UP)

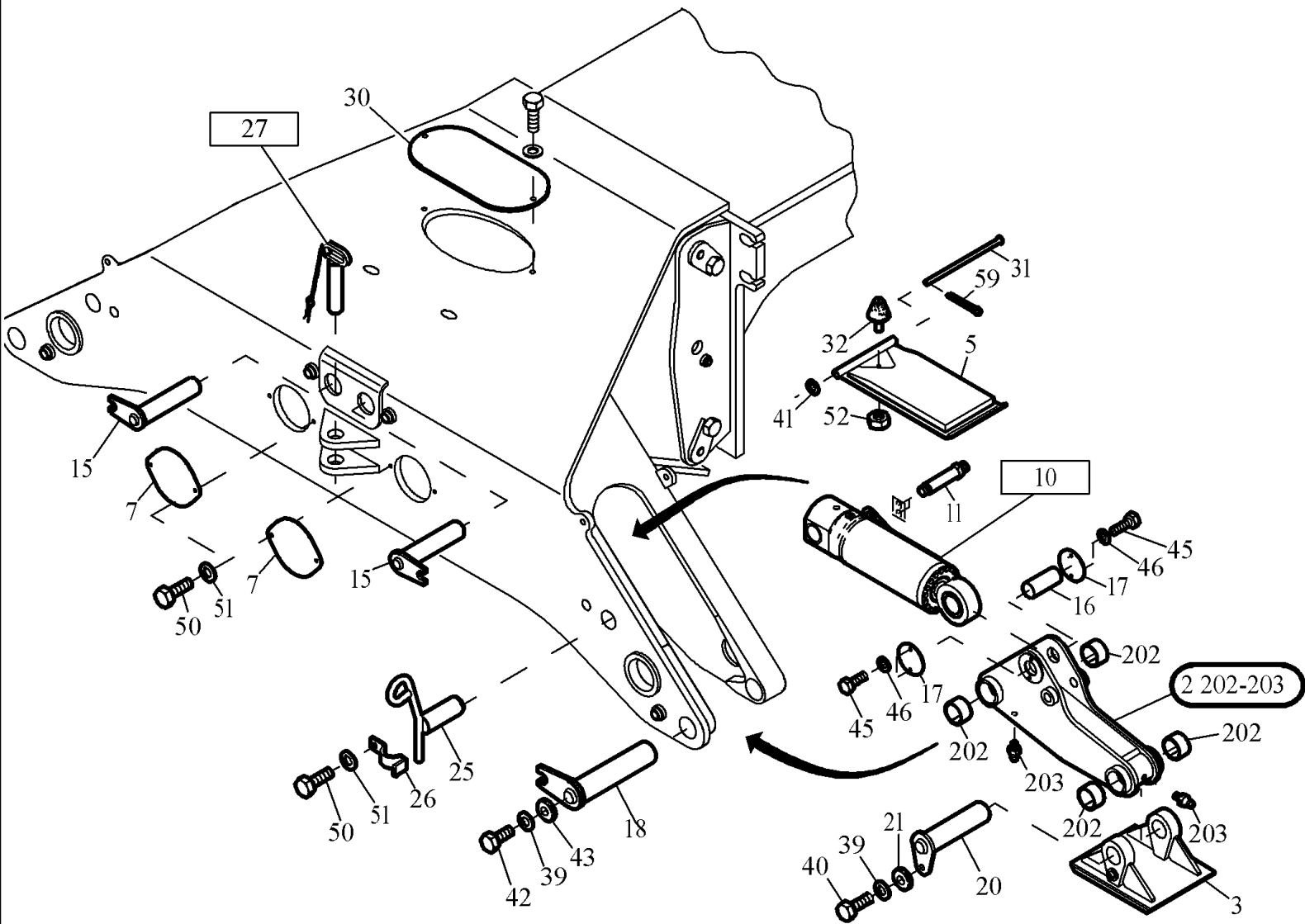
Ref	Part Number	Qty	Description
1	2815845	1	



WX240 WHEELED EXCAVATOR (4/04-)

02.060(001) RIGID AXLE INSTALL.MATERIAL 30KM/H (S/N 303501-UP)

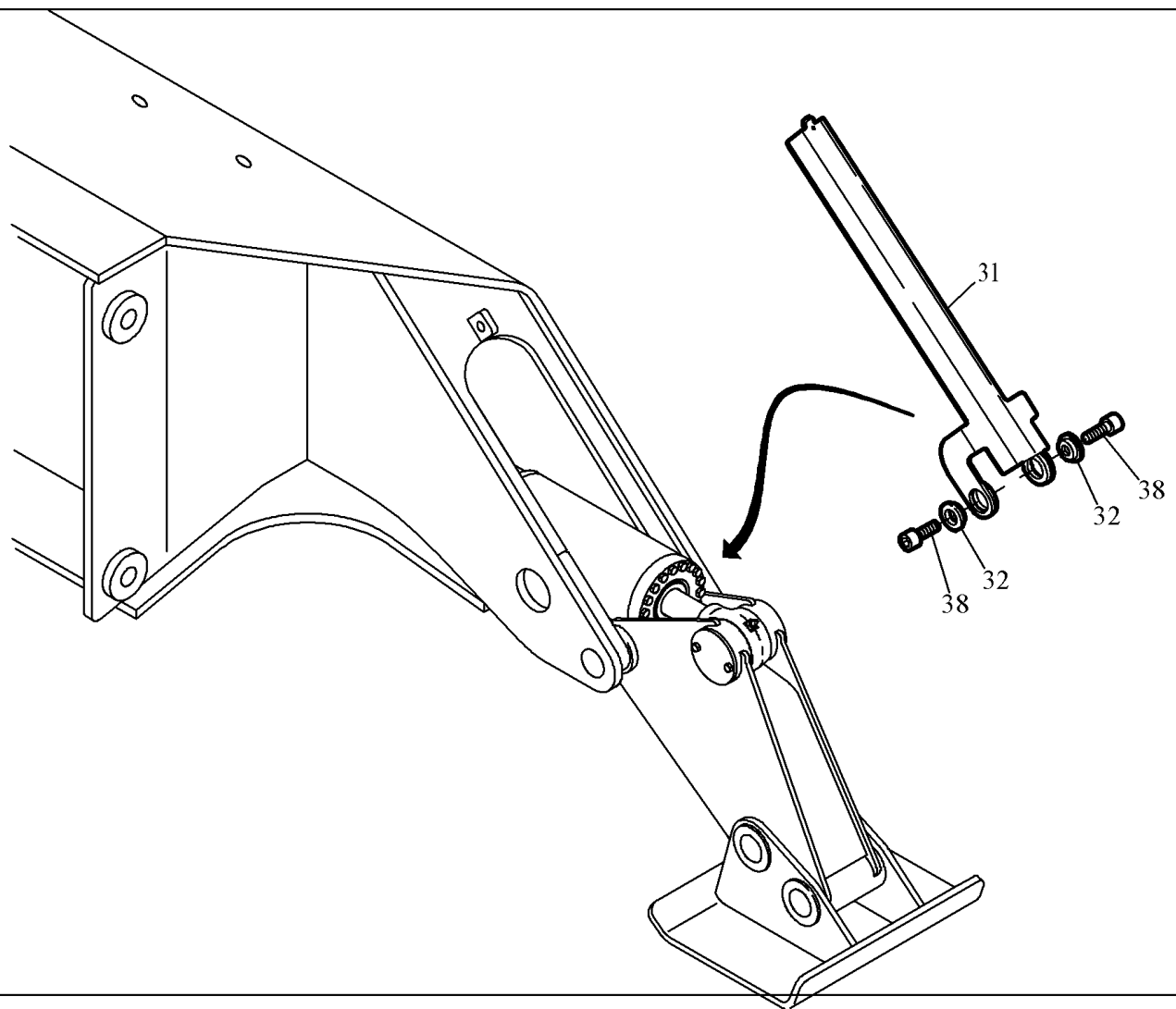
Ref	Part Number	Qty	Description
1	NS	1	SEE FIGURE 02.062/001
2	NS	1	SEE FIGURE 05.110/001
3	251834	8	
50	420468A1	1	
51	420469A1	1	
423	8919204	1	



WX240 WHEELED EXCAVATOR (4/04-)

04.010(001) SUPPORT INSTALL.MATERIAL (S/N 303501-UP)

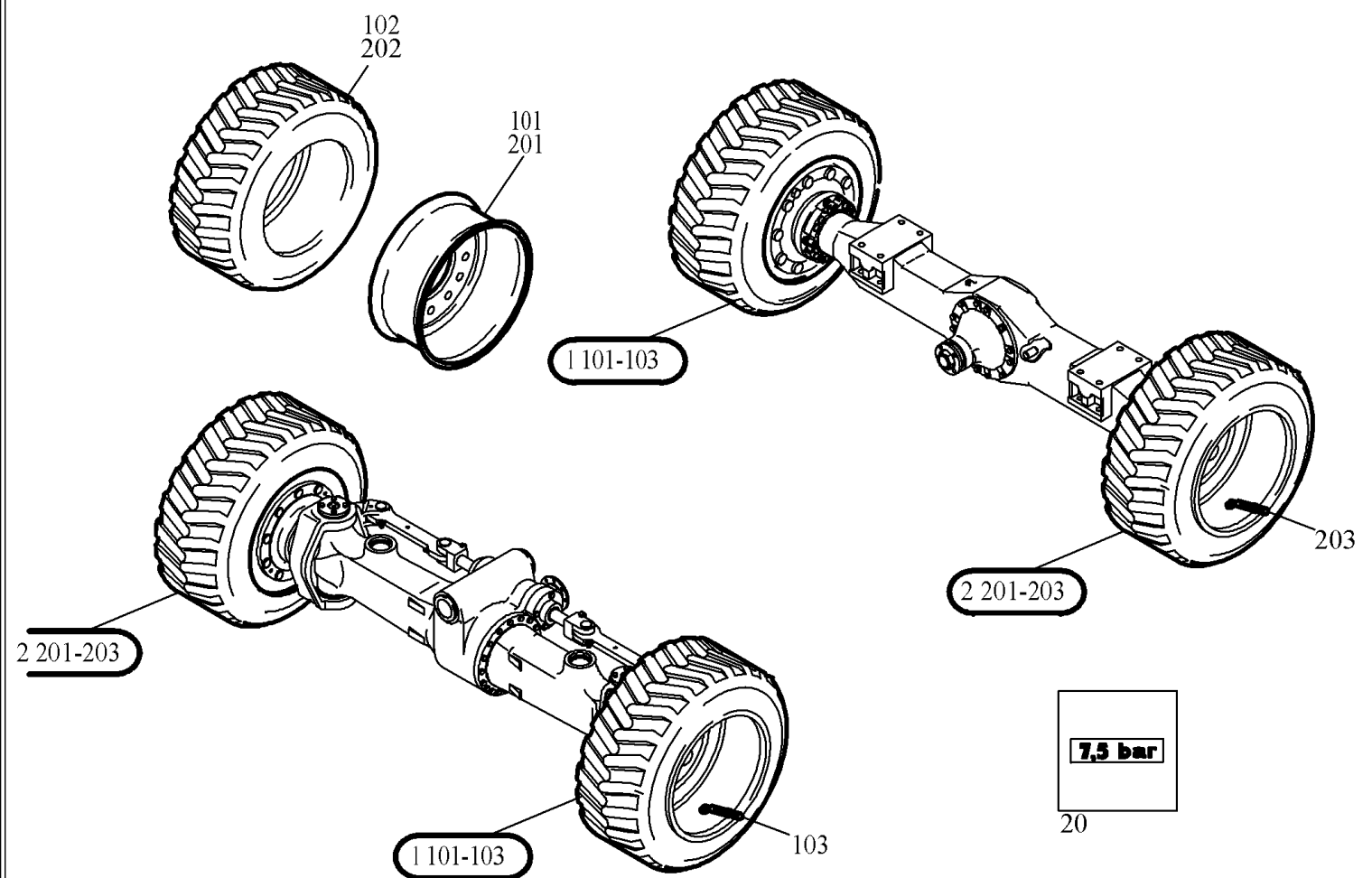
Ref	Part Number	Qty	Description
2	1950814	2	
3	1950870	2	
5	1950832	2	
7	8904631	2	
10	NS	2	SEE FIGURE 24.160/001
11	8903597	4	
15	1716530	2	
16	2101847	2	
17	1585189	4	
18	8910414	2	
20	2105797	2	
21	1542193	2	
25	2105765	2	
26	1950869	2	
27	NS	1	SEE FIGURE 39.030/001
30	8910586	1	
31	2160932	2	
32	2213544	2	
39	67125	6	
40	614-16030	2	
41	934283R1	2	
42	518161	4	
43	2247485	4	
45	614-12025	8	
46	41254	8	
50	336199	8	
51	2975165	10	
52	420221A1	2	
59	948375	2	
202	1570467	4	
203	933781R1	2	



WX240 WHEELED EXCAVATOR (4/04-)

04.012(001) SUPPORT COVER (OPTION) (S/N 303501-UP)

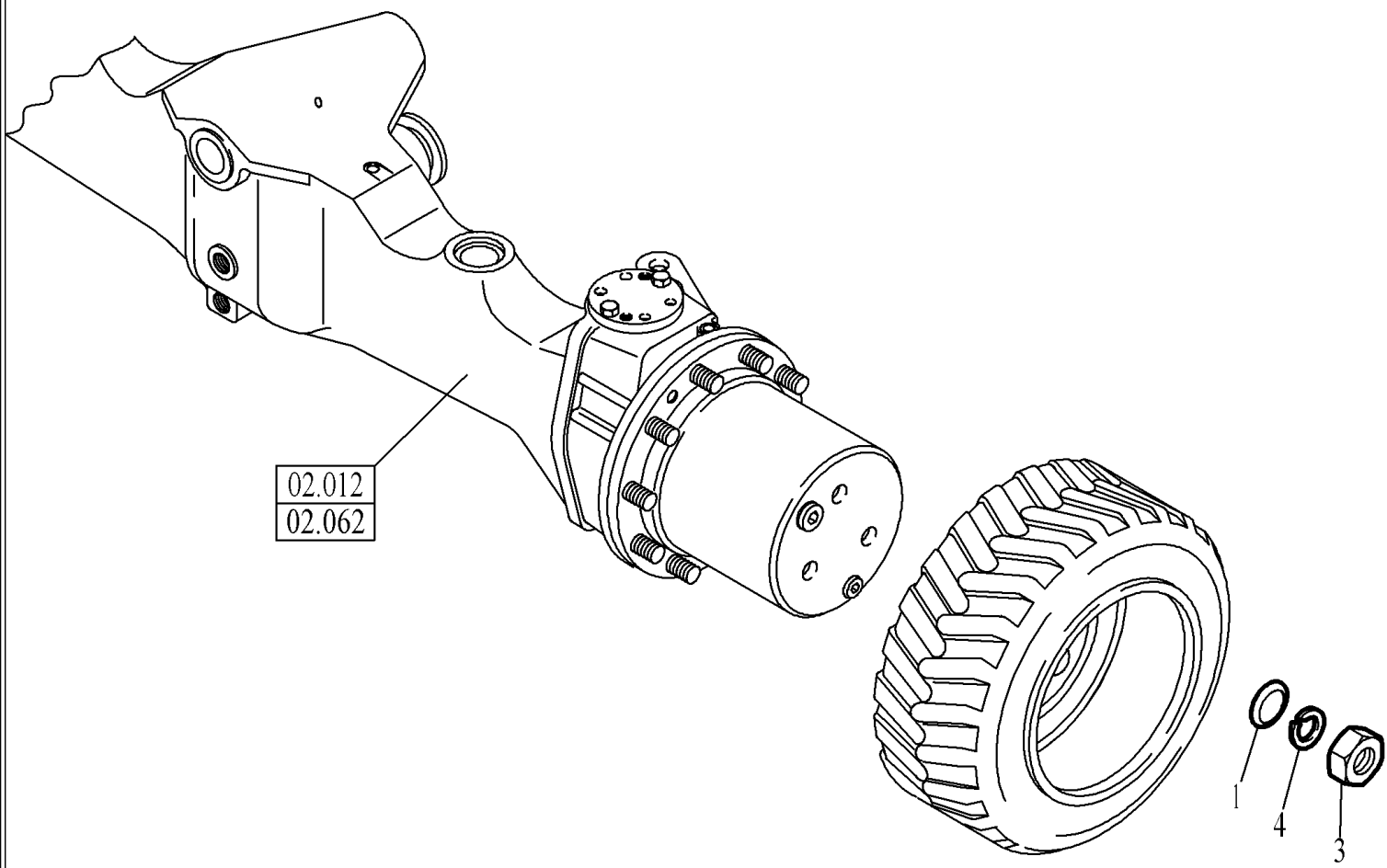
Ref	Part Number	Qty	Description
31	8911346	2	
32	8911329	4	
38	1570491	4	



WX240 WHEELED EXCAVATOR (4/04-)

05.100(001) WHEELS 18 R22,5 XF (S/N 303501-UP)

Ref	Part Number	Qty	Description
1	8918313	2	
2	8918314	2	
20	8915293	4	
101	8918317	1	
102	8918307	1	
103	219990	1	
201	8918317	1	
202	8918307	1	
203	219990	1	



WX240 WHEELED EXCAVATOR (4/04-)

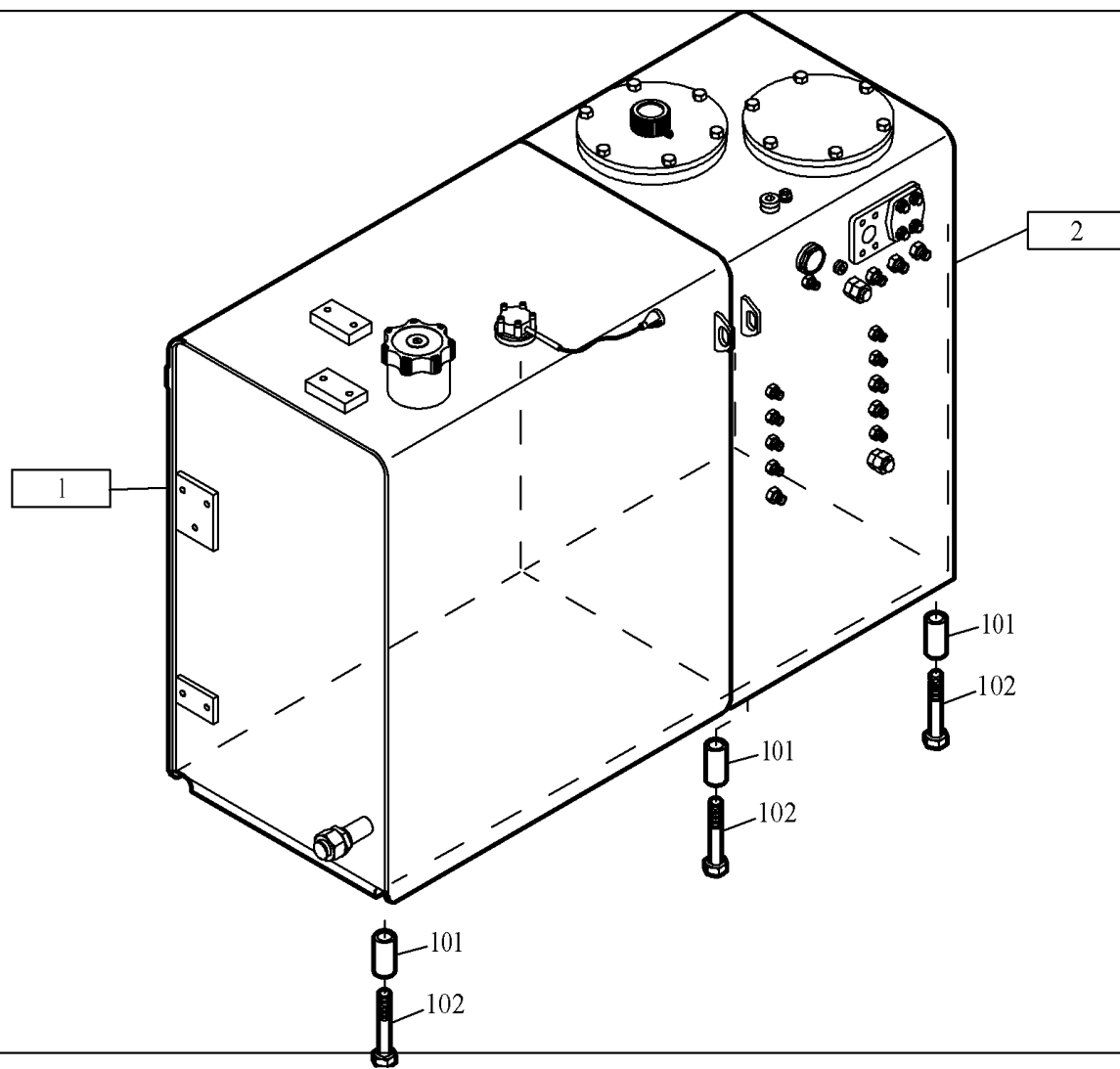
05.110(001) WHEEL MOUNTING (S/N 303501-UP)

Ref	Part Number	Qty	Description
1	941165	20	
3	8408505	20	
4	8409152	20	

WX240 WHEELED EXCAVATOR (4/04-)

07.010(001) PROP SHAFT INSTALL.MATERIAL 2FACH 30KM/ (S/N 303501-UP)

Ref	Part Number	Qty	Description
1	8917447	1	
2	8917449	2	
5	8920117	1	
10	814-16065	4	
11	2974088	4	
12	827-12055	4	
13	2975473	4	
14	627-10030	24	
15	2979506	32	



WX240 WHEELED EXCAVATOR (4/04-)

10.010(001) CONTAINER INSTALL.MATERIAL

Ref	Part Number	Qty	Description
1	NS	1	SEE FIGURE 10.202/001
2	NS	1	SEE FIGURE 10.102/001
101	423379A1	8	
102	271248	8	



Suggest:

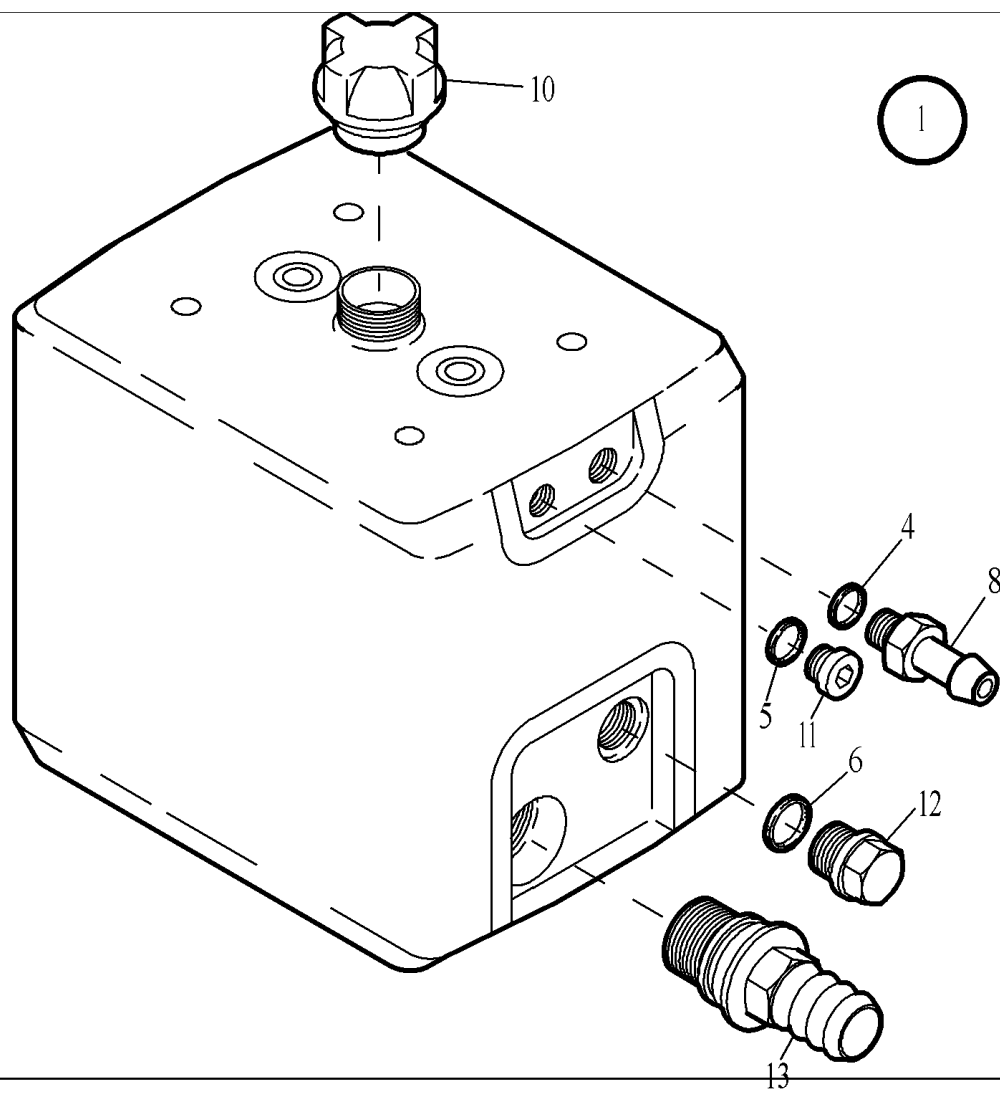
If the above button click is invalid.

Please download this document

first, and then click the above link

to download the complete manual.

Thank you so much for reading



<https://www.ebooklibonline.com>

Hello dear friend!

Thank you very much for reading.

Enter the link into your browser.

The full manual is available for immediate download.

<https://www.ebooklibonline.com>