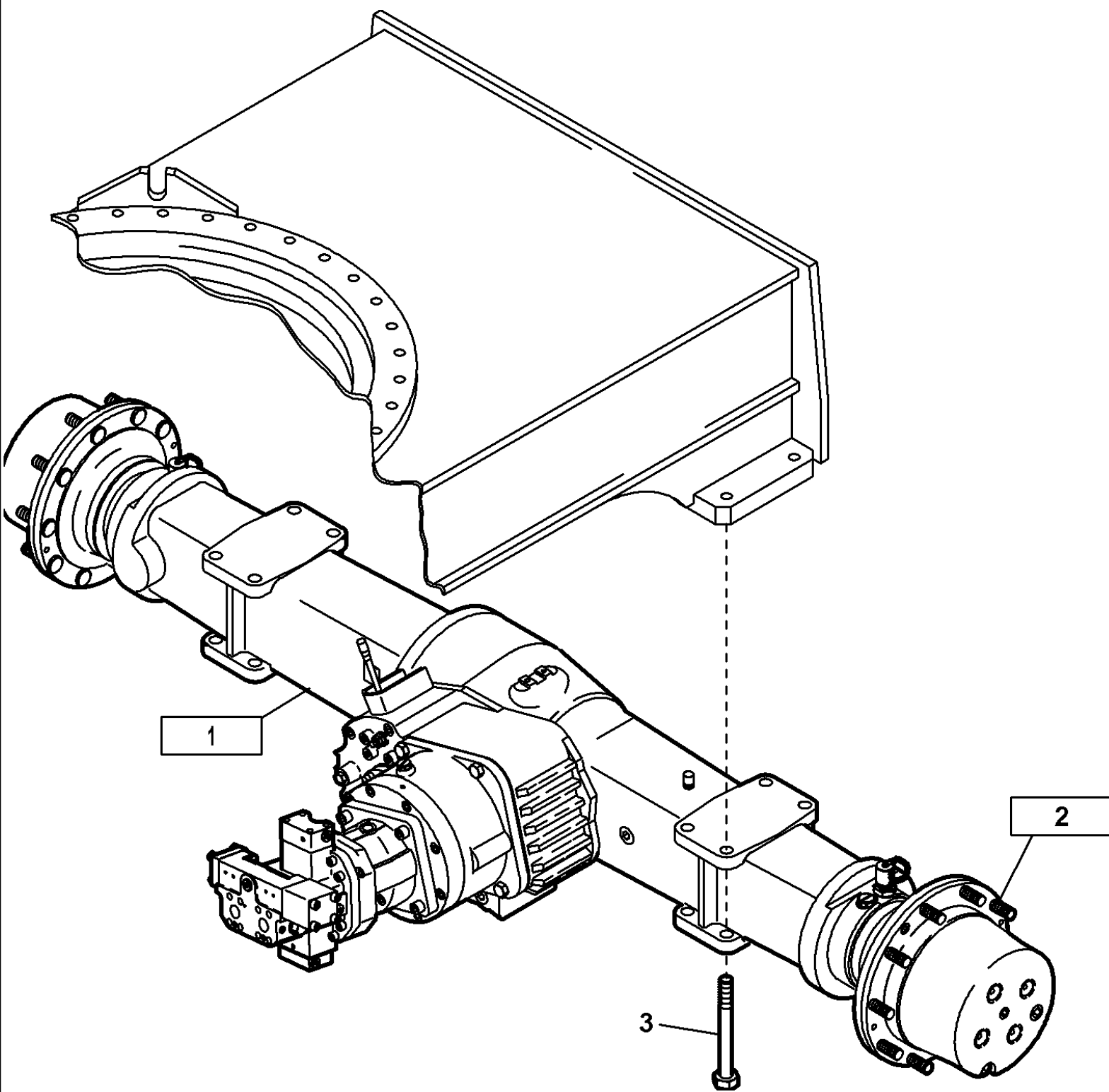




PARTS CATALOGUE

WX210
WHEELED EXCAVATOR



WX210 WHEELED EXCAVATOR (3/04-)

02.060(2991994000) RIGID AXLE INSTALL.MATERIAL 20KM/H

Ref	Part Number	Qty	Description
1	NS	1	RIGID AXLE MOUNTING PARTS 20KM/H SEE FIGURE 02.061/2991800
2	NS	1	WHEEL MOUNTING SEE FIGURE 05.110/2216111
3	422551	8	HEXAGON BOLT
990	8919306	AR	RIGID AXLE

2992642

<https://www.ebooklibonline.com>

Hello dear friend!

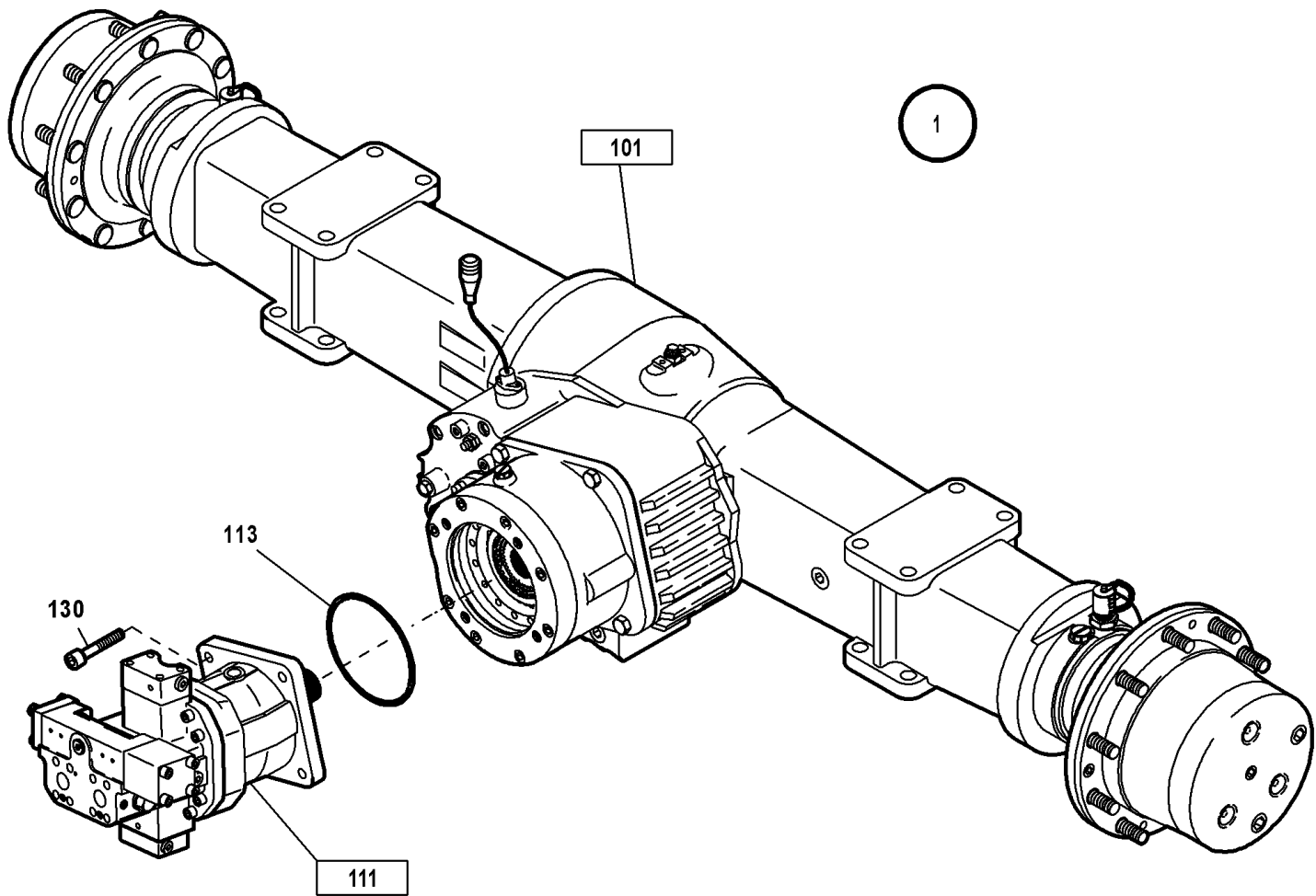
Thank you very much for reading.

Enter the link into your browser.

The full manual is available for immediate download.

<https://www.ebooklibonline.com>

02.061



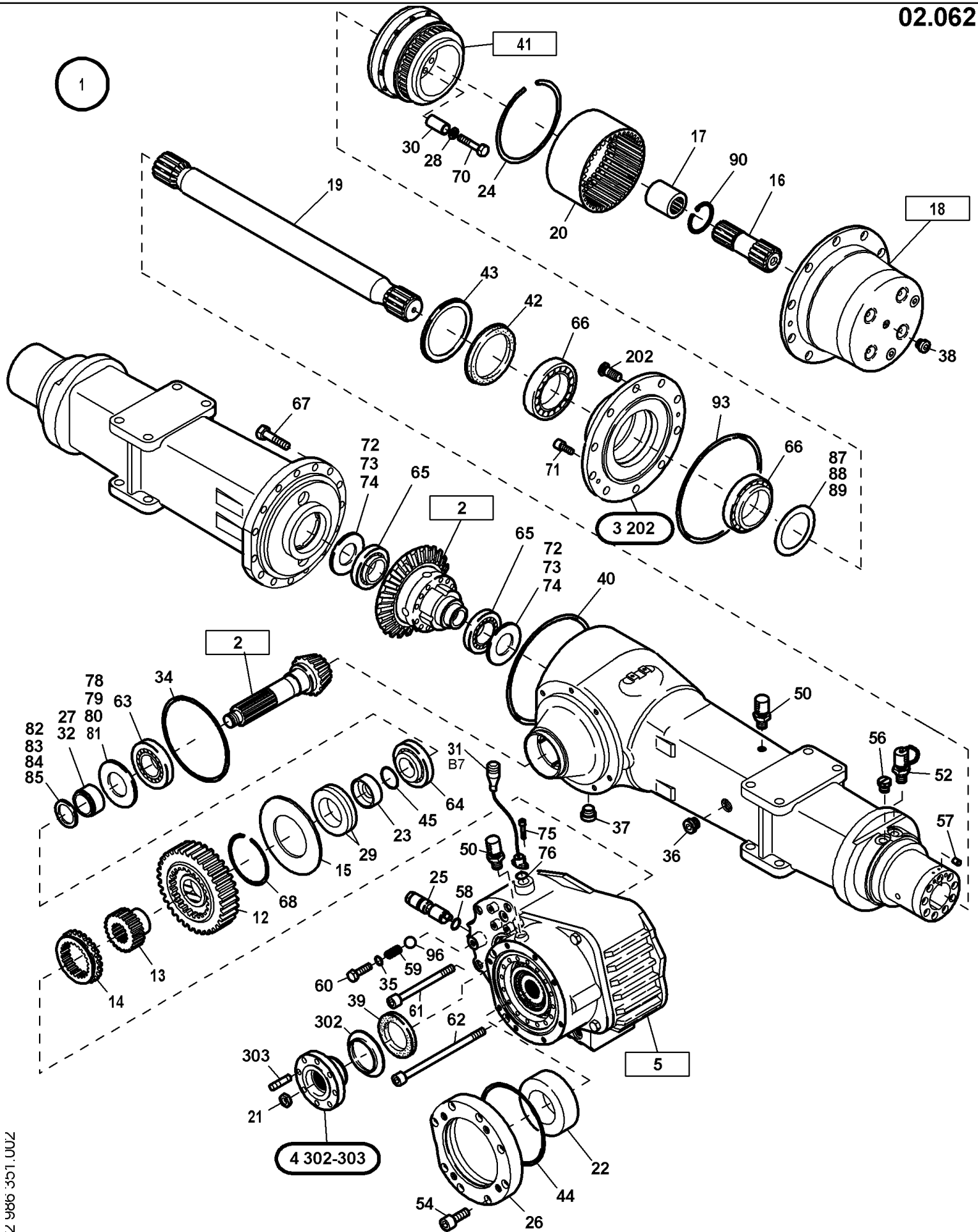
2988188001

WX210 WHEELED EXCAVATOR (3/04-)

02.061(2988188001) RIGID AXLE MOUNTING PARTS 30KM/H

Ref	Part Number	Qty	Description
1	2815511	1	AXLE
101	NS	1	RIGID AXLE SEE FIGURE 02.062/2986351003
111	NS	1	AXIAL PISTON MOTOR INSTALL.MATERIAL 30KM/H SEE FIGURE 22.120/2984533001
113	2900489	1	O-RING
130	864-16045	4	CYL.HEAD SCREW
990	2815511	AR	AXLE

2992642



2 986 351 002

WX210 WHEELED EXCAVATOR (3/04-)

02.062(2986351003) RIGID AXLE

Ref	Part Number	Qty	Description
1	2814083	1	AXLE
2	NS	1	DIFFERENTIAL SEE FIGURE 16.600/2943377000
2	NS	1	DIFFERENTIAL SEE FIGURE 16.600/2943455001
3	2807934	2	HUB
4	2807937	1	FLANGE
5	NS	1	TRAVEL GEAR COMPLETE SEE FIGURE 16.022/2984493003
12	2807299	1	SPUR GEAR
13	2494631	1	SLEEVE
14	2494633	1	SOCKET
15	2808973	1	DISK/WASHER
16	2808431	2	GEAR PINION
17	1717105	2	SLEEVE
18	NS	2	PLANETARY GEAR SEE FIGURE 16.650/2943454000
19	2809595	2	SHAFT
20	2759355	2	HOLLOW WHEEL
21	1597982	1	NUT
22	2810029	1	DISK/WASHER
23	2807949	1	SLEEVE
24	2759348	2	SNAP RING
25	2456313	1	PIN
26	2807948	1	FLANGE
27	1753659	AR	BUSHING
28	2759945	22	DISK/WASHER
29	2377414	2	ROT.SHAFT LIP SEAL
30	2759976	22	BUSHING
31	2810228	1	SPEED SENSOR
32	2810819	1	BUSHING
34	447107	1	ROUND SEALING RING
35	44272	1	SEALING RING
36	424052A1	1	SCREW PLUG
37	424259A1	1	SCREW PLUG
38	420702A1	2	SCREW PLUG
39	2168639	1	ROT.SHAFT LIP SEAL
40	2900496	AR	O-RING
41	NS	2	SERVICE BRAKE SEE FIGURE 19.202/2942714000
41	NS	2	SERVICE BRAKE SEE FIGURE 19.202/2986320000
42	2928269	2	GASKET
43	2814086	2	SEALING WASHER
44	2900491	1	O-RING
45	2929507	1	O-RING
50	420326A1	2	BLEEDER
52	2247044	2	TUBE FITTING
54	424048A1	8	CYL.HEAD SCREW
56	7396295	2	SCREW PLUG
57	2976440	4	PLUG

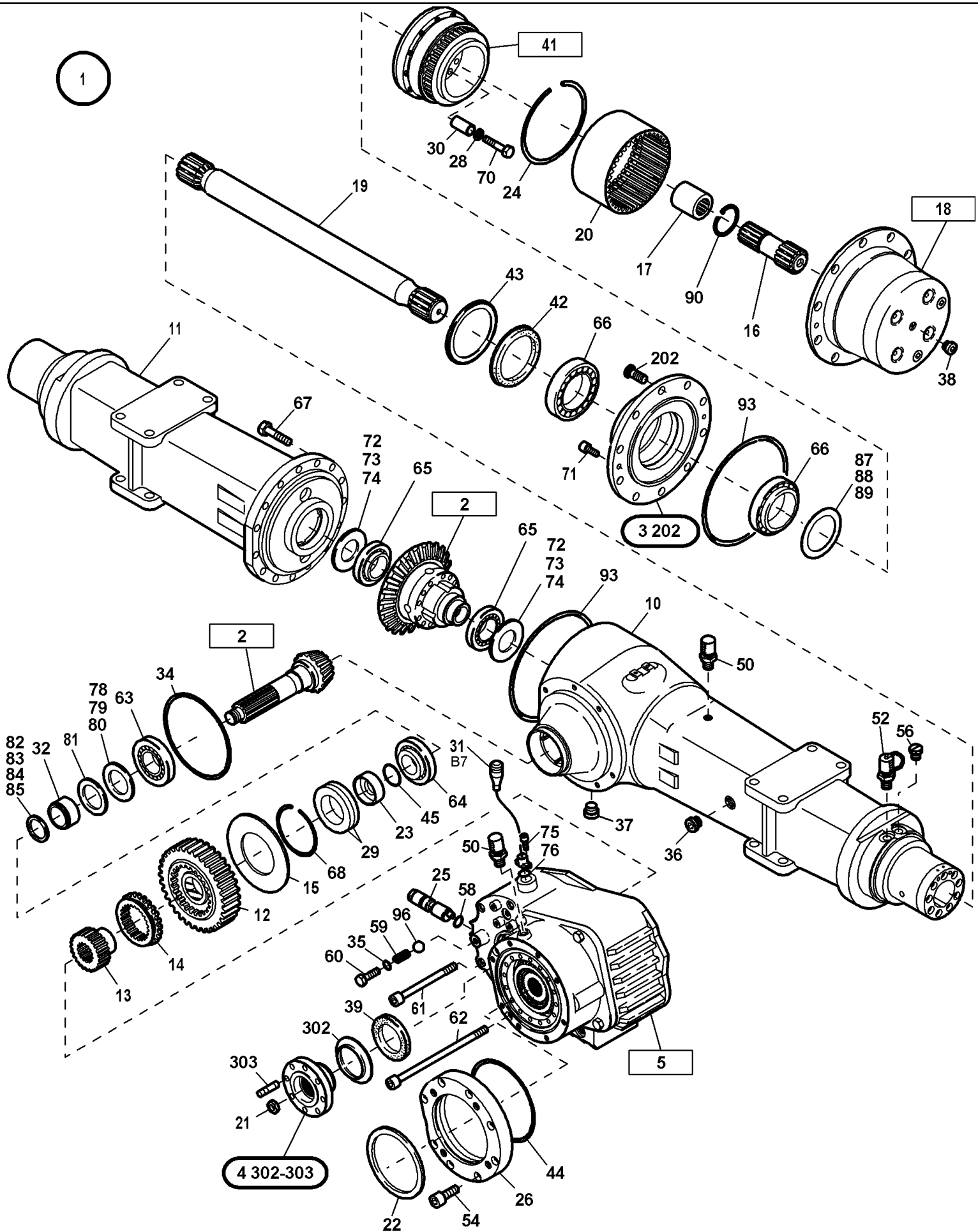
2992642

WX210 WHEELED EXCAVATOR (3/04-)

02.062(2986351003) RIGID AXLE

Ref	Part Number	Qty	Description
58	2900481	1	O-RING
59	901425	1	SPRING
60	12949	1	HEXAGON BOLT
61	2426708	4	CYL.HEAD SCREW
62	2781772	2	CYL.HEAD SCREW
63	44514	1	TAP.ROLLER BEARING
64	157685	1	TAP.ROLLER BEARING
65	11448	2	TAP.ROLLER BEARING
66	2806837	4	TAP.ROLLER BEARING
67	615121	15	HEXAGON BOLT
68	101822	1	SNAP RING
70	102807	22	HEXAGON BOLT
71	945541	4	CYL.HEAD SCREW
72	2928264	AR	SHIM RING
73	2928274	AR	SHIM RING
74	2213387	AR	SHIM RING
75	1058958	2	CYL.HEAD SCREW
76	2928989	1	O-RING
78	2929286	AR	SHIM RING
79	2213390	AR	SHIM RING
80	2213391	AR	SHIM RING
81	2810845	3	DISK/WASHER
82	2929272	AR	SHIM RING
83	424002A1	AR	SHIM RING
84	424004A1	AR	SHIM RING
85	2213478	AR	SHIM RING
87	2781753	AR	SHIM RING
88	1725267	AR	SHIM RING
89	2479537	AR	SHIM RING
90	12480	2	CIRCLIP
93	2900496	3	O-RING
96	11133	1	BALL
202	2808389	10	WHEEL STUD
302	2807951	1	BONNET
303	62144	8	STUD
990	2814083	AR	AXLE

2992642



WX210 WHEELED EXCAVATOR (3/04-)

02.062(2990780000) RIGID AXLE

Ref	Part Number	Qty	Description
1	2815822	1	AXLE
2	NS	1	see figure 16.600/2943455
3	2807934	2	
4	2807937	1	
5	NS	1	see figure 16.022/2984493
10	2807943	1	
11	2807946	1	
12	2807299	1	
13	2494631	1	
14	2494633	1	
15	2808973	1	
16	2809592	2	
17	1717105	2	
18	NS	2	see figure 16.650/2991997
19	2809595	2	
20	2809586	2	
21	1597982	1	
22	2810029	1	
23	2807949	1	
24	2759348	2	
25	2456313	1	
26	2807948	1	
32	2810819	1	
28	2759945	28	
29	2377414	2	
30	2759976	28	
31	2810228	1	
34	447107	1	
35	44272	1	
36	2479494	1	
37	2928053	1	
38	1637351	2	
39	2168639	1	
41	NS	2	see figure 19.202/2986320
42	2928269	2	
43	2814414	2	
44	2900491	1	
45	2929507	1	
50	8407490	2	
52	2247044	2	
54	4155025	8	
56	7396295	2	
58	2900481	1	
59	901425	1	
60	12949	1	

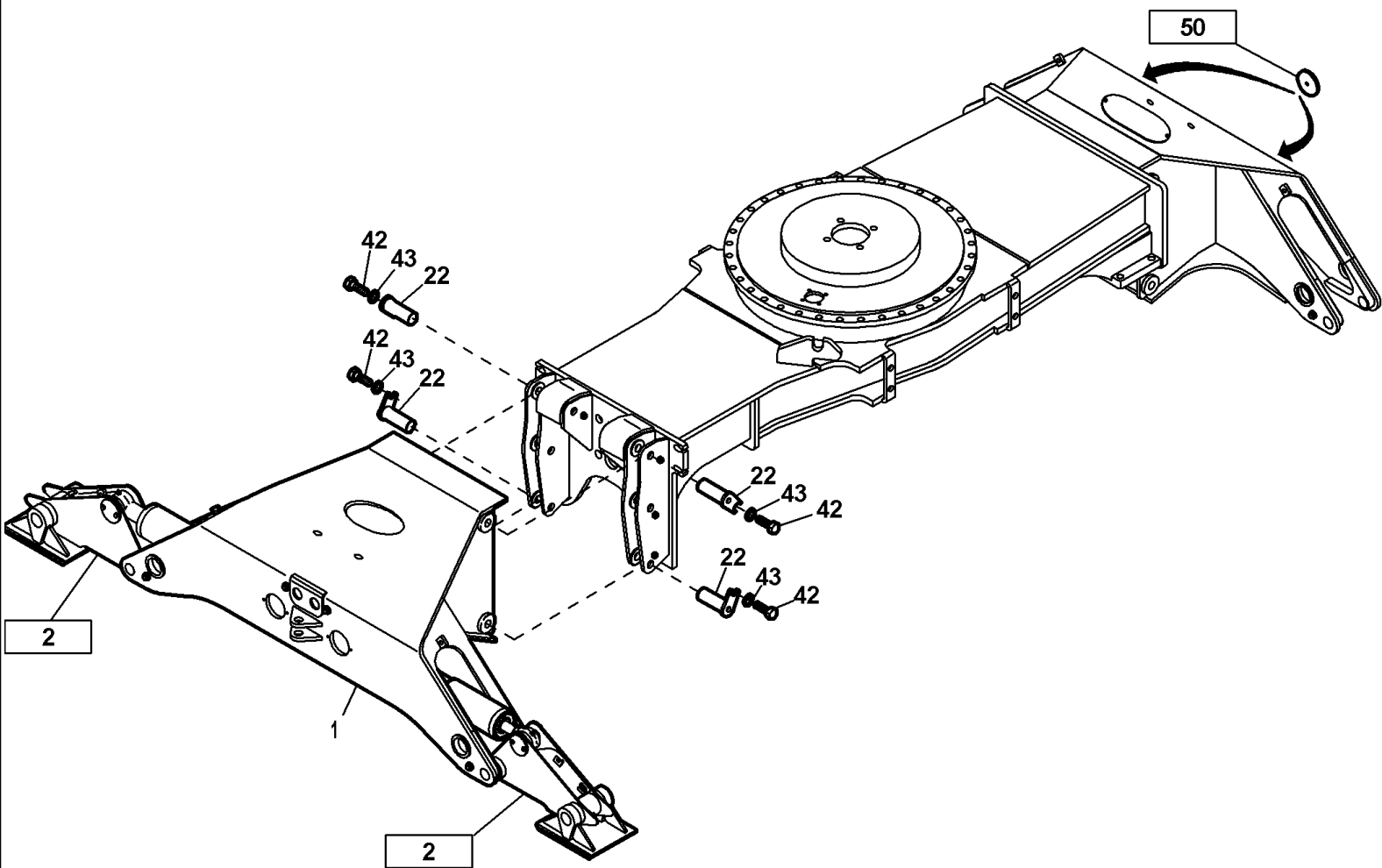
2992642

WX210 WHEELED EXCAVATOR (3/04-)

02.062(2990780000) RIGID AXLE

Ref	Part Number	Qty	Description
61	2426708	4	
62	2781772	2	
63	44514	1	
64	157685	1	
65	11448	2	
66	2806837	4	
67	615121	19	
68	101822	1	
70	102807	22	
71	945541	4	
72	2928264	AR	
73	2928274	AR	
74	2213387	AR	
75	1058958	2	
76	2928989	1	
78	2929286	AR	
79	2213390	AR	
80	2213391	AR	
81	2810845	3	
82	2929272	AR	
83	2213394	AR	
84	2213395	AR	
85	2213478	AR	
87	2781753	AR	
88	1725267	AR	
89	2479537	AR	
90	12480	2	
93	2900496	3	
96	11133	1	
202	2808389	10	
302	2807951	1	
303	62144	8	

2992642

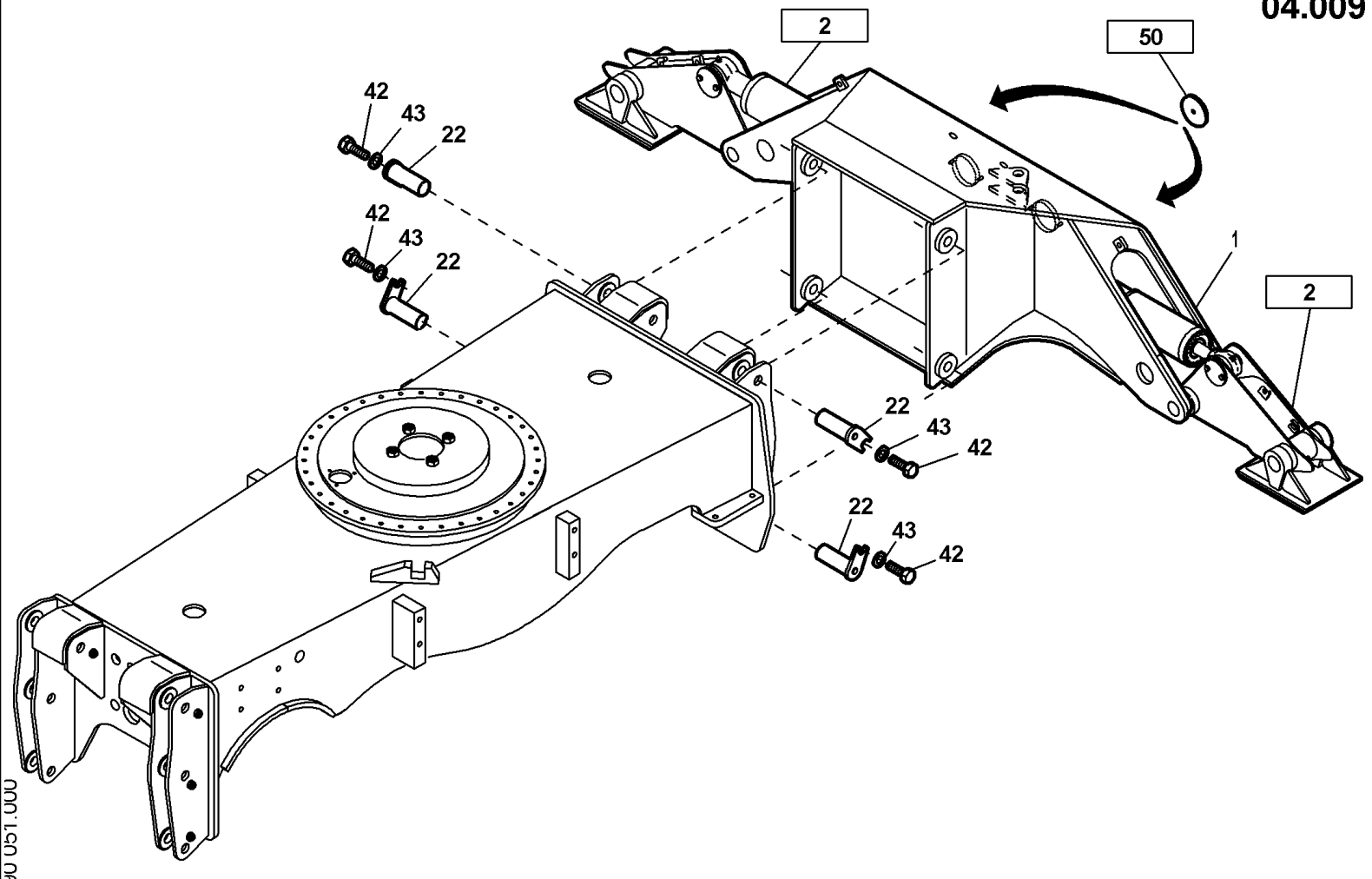


WX210 WHEELED EXCAVATOR (3/04-)

04.000(2988263000) SUPPORT

Ref	Part Number	Qty	Description
1	8919460	1	ARCH
2	NS	1	SUPPORT SEE FIGURE 04.012/2987492002
22	1731702	4	PIN
42	518161	4	HEXAGON BOLT
43	2247485	4	DISK/WASHER
50	NS	2	CATSEYE INSTALL.MATERIAL SEE FIGURE 35.050/1908959000
990	8919459		AR SUPPORT

04.009

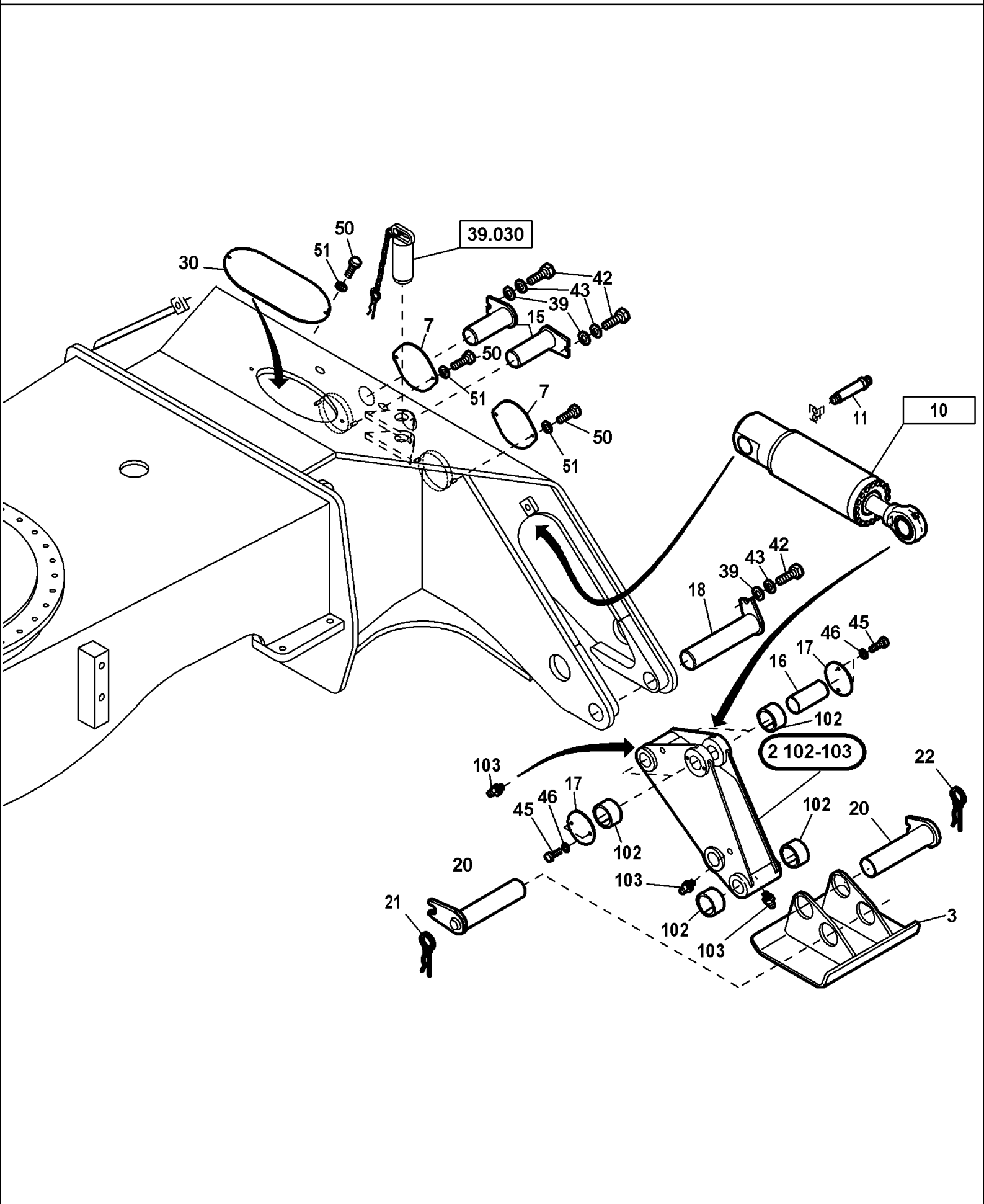


0001.000
2 990 051 000 Z

WX210 WHEELED EXCAVATOR (3/04-)

04.000(2990051000) SUPPORT MIT BOLZEN

Ref	Part Number	Qty	Description
1	8922001	1	ARCH
2	NS	1	SUPPORT SEE FIGURE 04.012/2987492002
22	1731702	4	PIN
42	518161	4	HEXAGON BOLT
43	2247485	4	DISK/WASHER
50	NS	2	CATSEYE INSTALL.MATERIAL SEE FIGURE 35.050/1908959000
990	8922003		AR SUPPORT

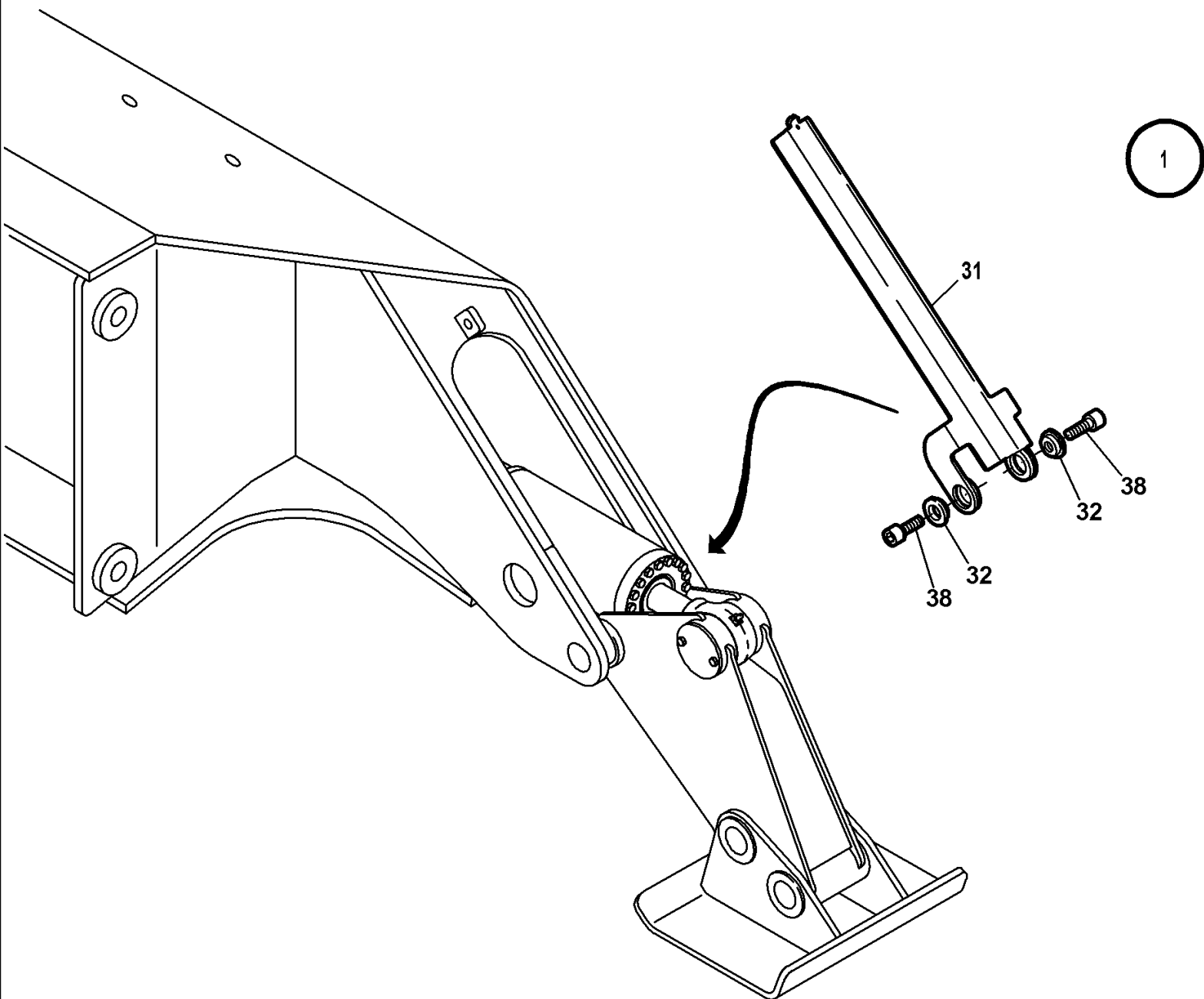


WX210 WHEELED EXCAVATOR (3/04-)

04.012(2987492002) SUPPORT

Ref	Part Number	Qty	Description
2	8918338	2	JOINT
3	8918347	2	OUTRIGGER
7	8911344	2	LID
10	NS	2	STABILIZER CYL. PAW INSTALL.MATERIAL SEE FIGURE 24.160/2987619000
11	8903597	4	SOCKET
15	1716530	2	HITCH PIN
16	8911324	2	PIN
17	1585189	4	DISK/WASHER
18	8910414	2	PIN
20	8919232	4	PIN
21	2929856	2	COTTER PIN
22	251078	2	COTTER PIN
30	8911345	1	COVER PLATE
39	67125	4	DISK/WASHER
42	518161	4	HEXAGON BOLT
43	2247485	4	DISK/WASHER
45	614-12025	8	HEXAGON BOLT
46	41254	8	DISK/WASHER
50	336199	6	HEXAGON BOLT
51	2975165	6	DISK/WASHER
102	1570467	6	ELASTIC BUSHING
103	933781R1	3	GREASE NIPPLE
990	8918337	AR	SUPPORT

2992642



WX210 WHEELED EXCAVATOR (3/04-)

04.012(2987498001) SUPPORT COVER

Ref	Part Number	Qty	Description
1	8918335	1	COVER
31	8911346	2	COVER
32	8911329	4	SHIM
38	1570491	4	CYL.HEAD SCREW
990	8918335	AR	COVER

2992642



Suggest:

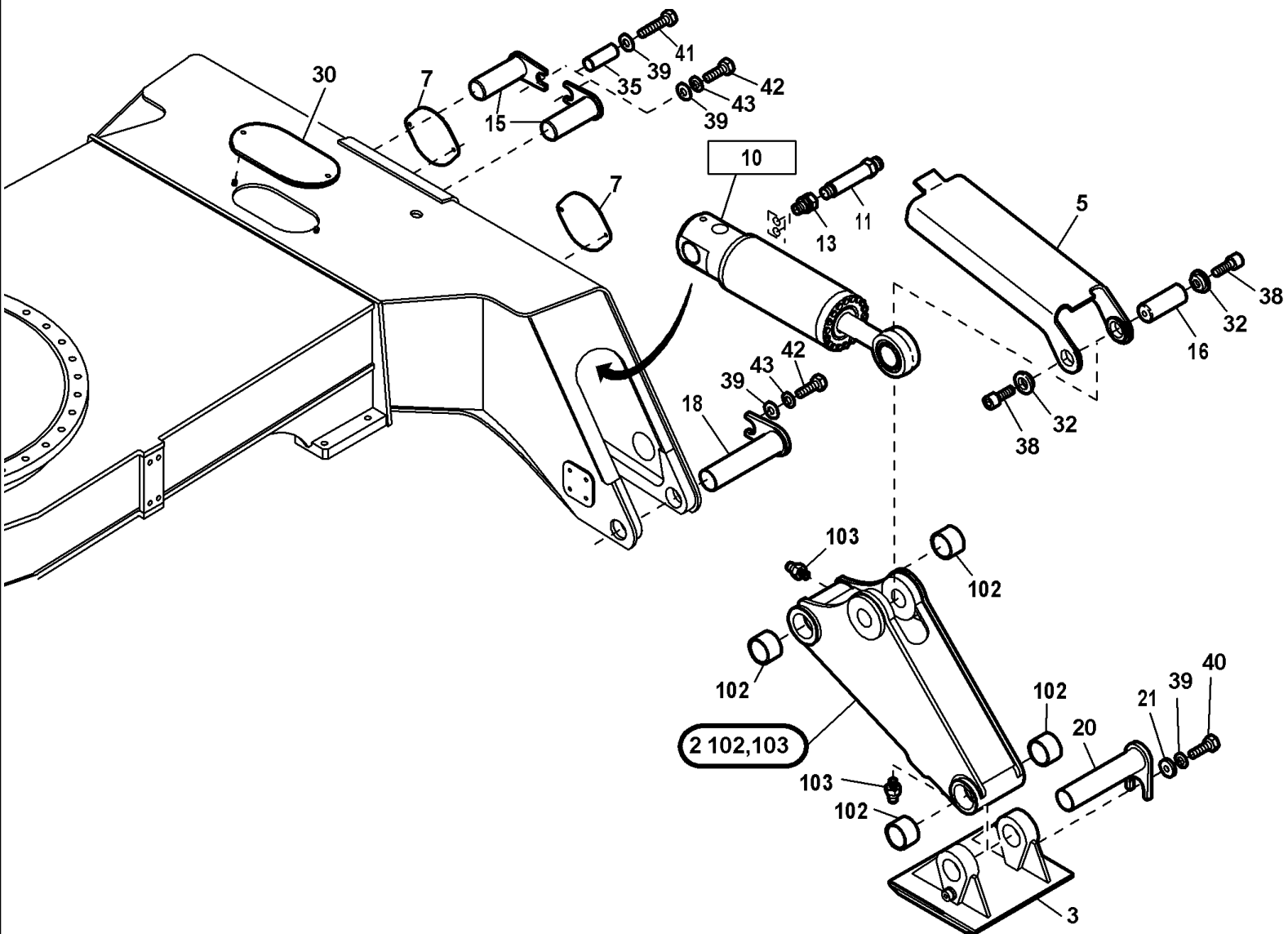
If the above button click is invalid.

Please download this document

first, and then click the above link

to download the complete manual.

Thank you so much for reading



<https://www.ebooklibonline.com>

Hello dear friend!

Thank you very much for reading.

Enter the link into your browser.

The full manual is available for immediate download.

<https://www.ebooklibonline.com>