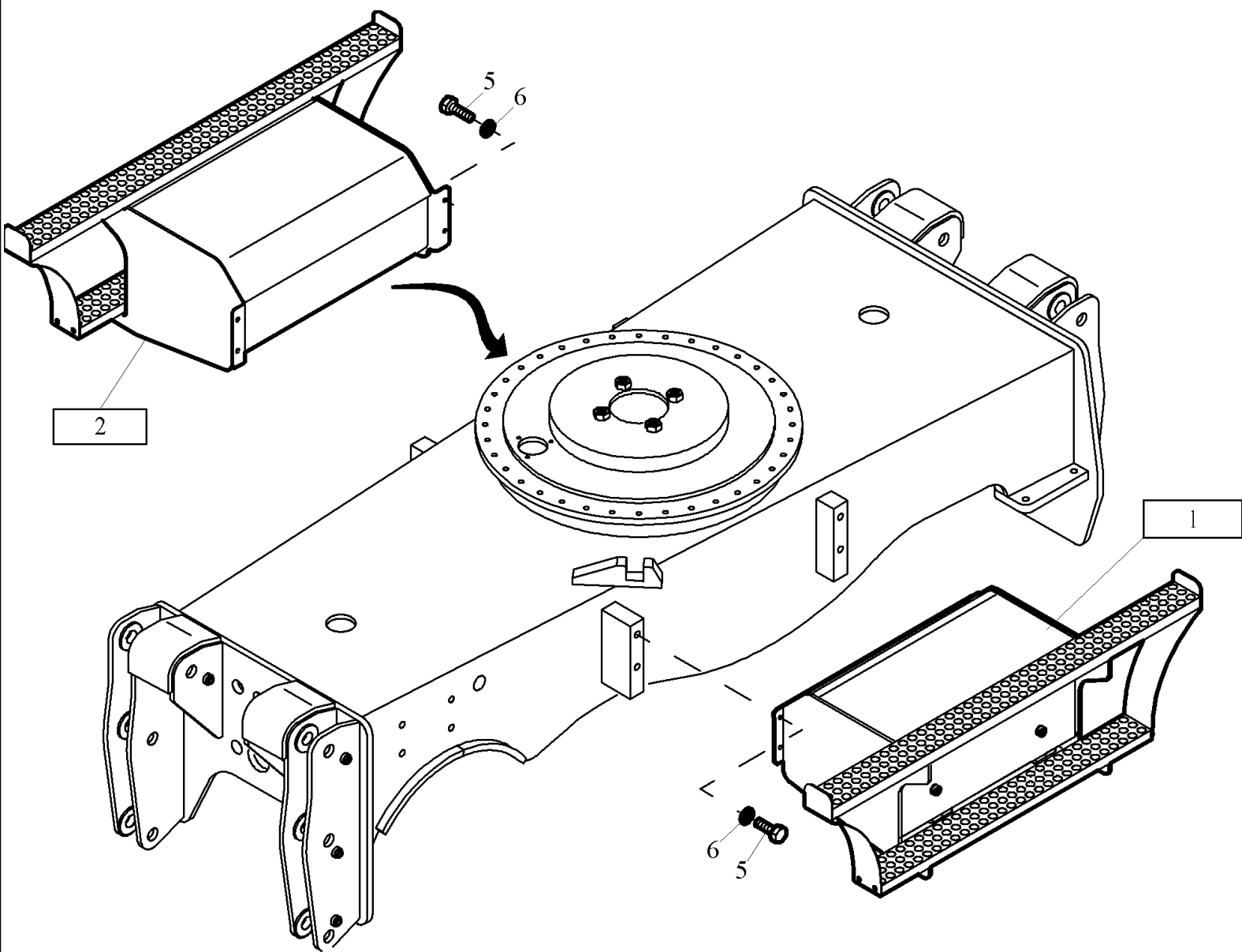




# PARTS CATALOGUE

WX165



WX165 WHEELED EXCAVATOR (2/04- )

01.810(004) STEPS INSTALL.MATERIAL (S/N 471043-UP)

Ref	Part Number	Qty	Description
1	NS	1	SEE FIGURE 01.620/003
2	NS	1	SEE FIGURE 01.812/001
5	614-16030	8	
6	2974088	8	

**<https://www.ebooklibonline.com>**

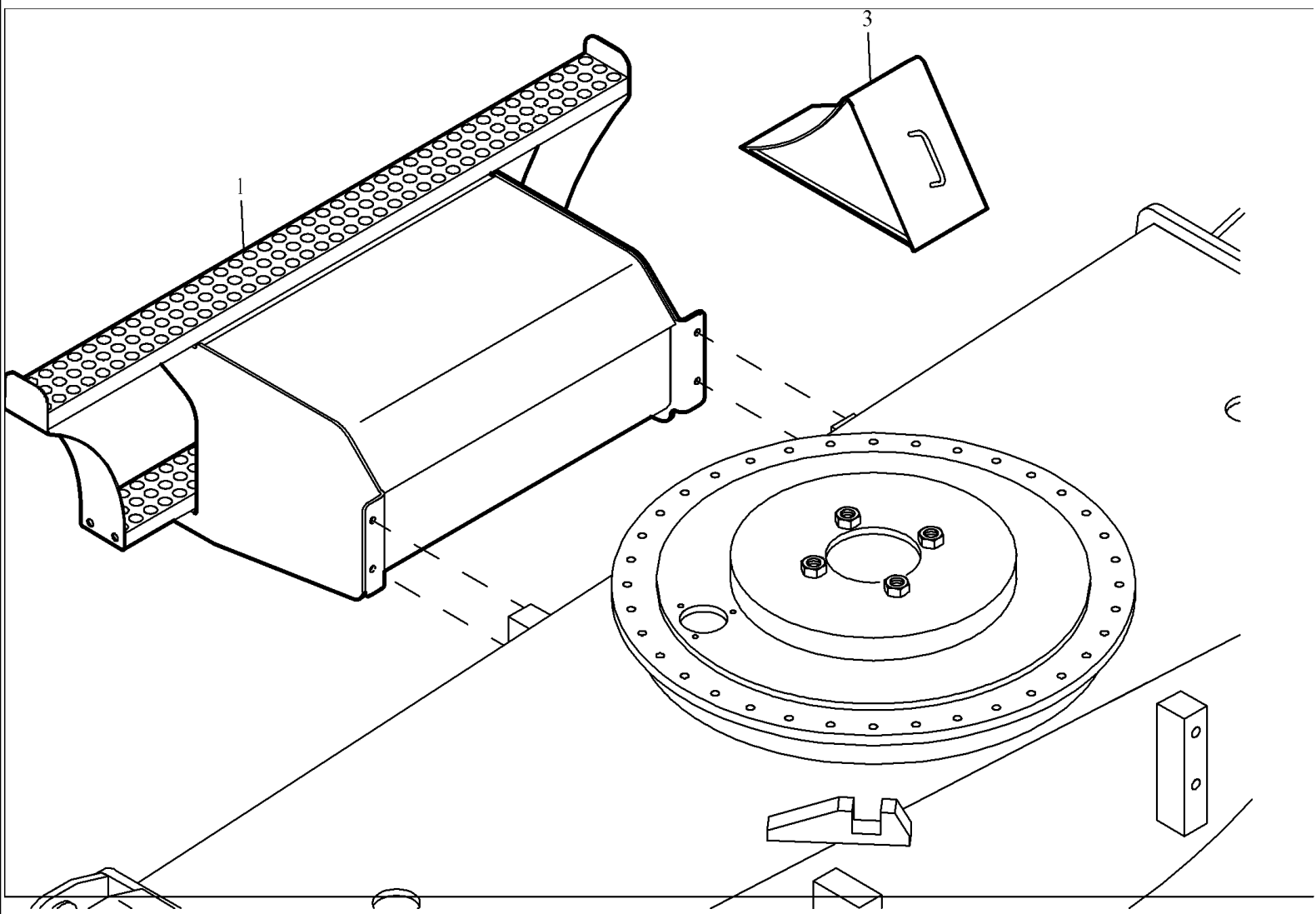
Hello dear friend!

Thank you very much for reading.

Enter the link into your browser.

The full manual is available for immediate download.

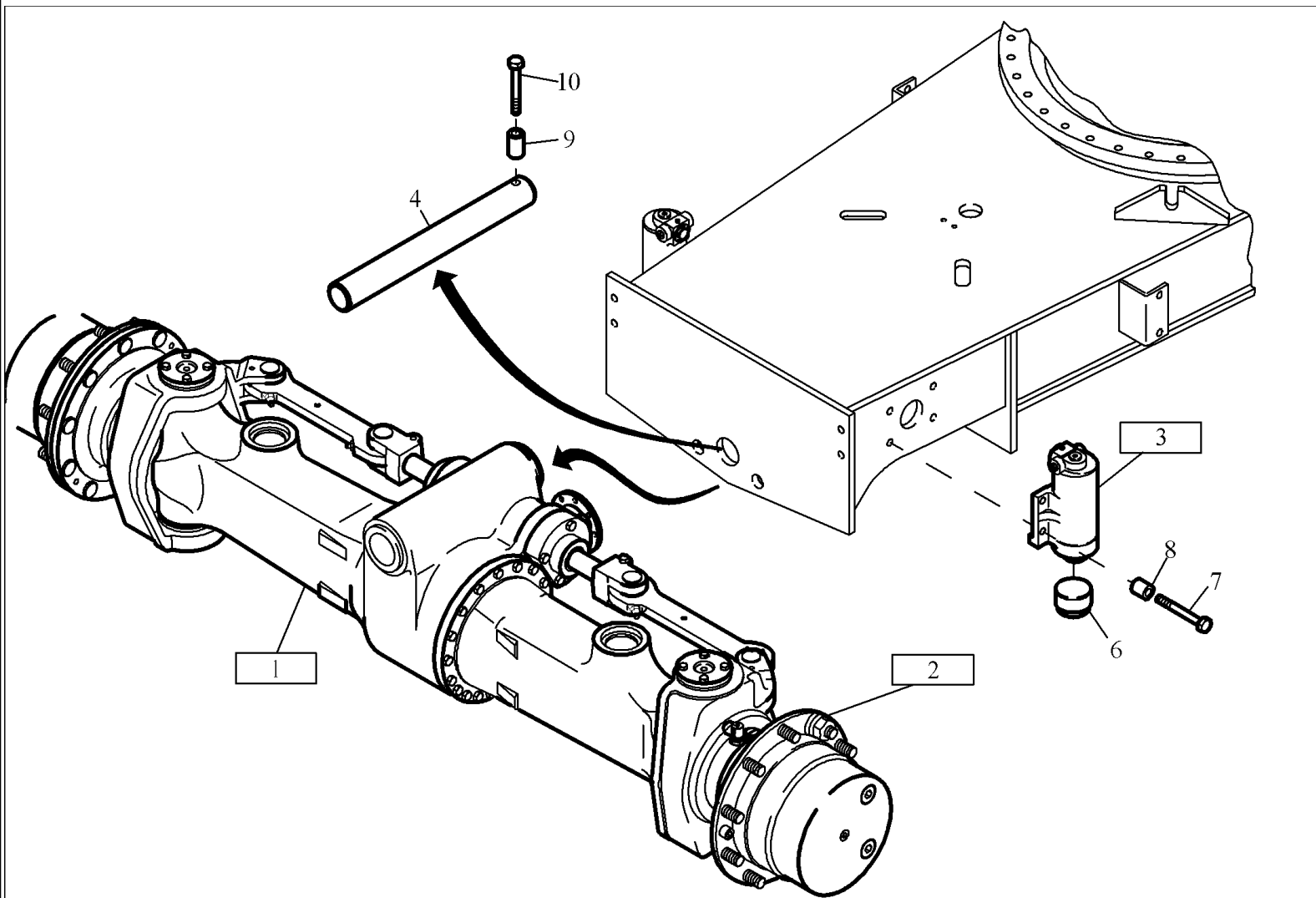
**<https://www.ebooklibonline.com>**



WX165 WHEELED EXCAVATOR (2/04- )

01.812(001) STEPS COMPLETE (S/N 471043-UP)

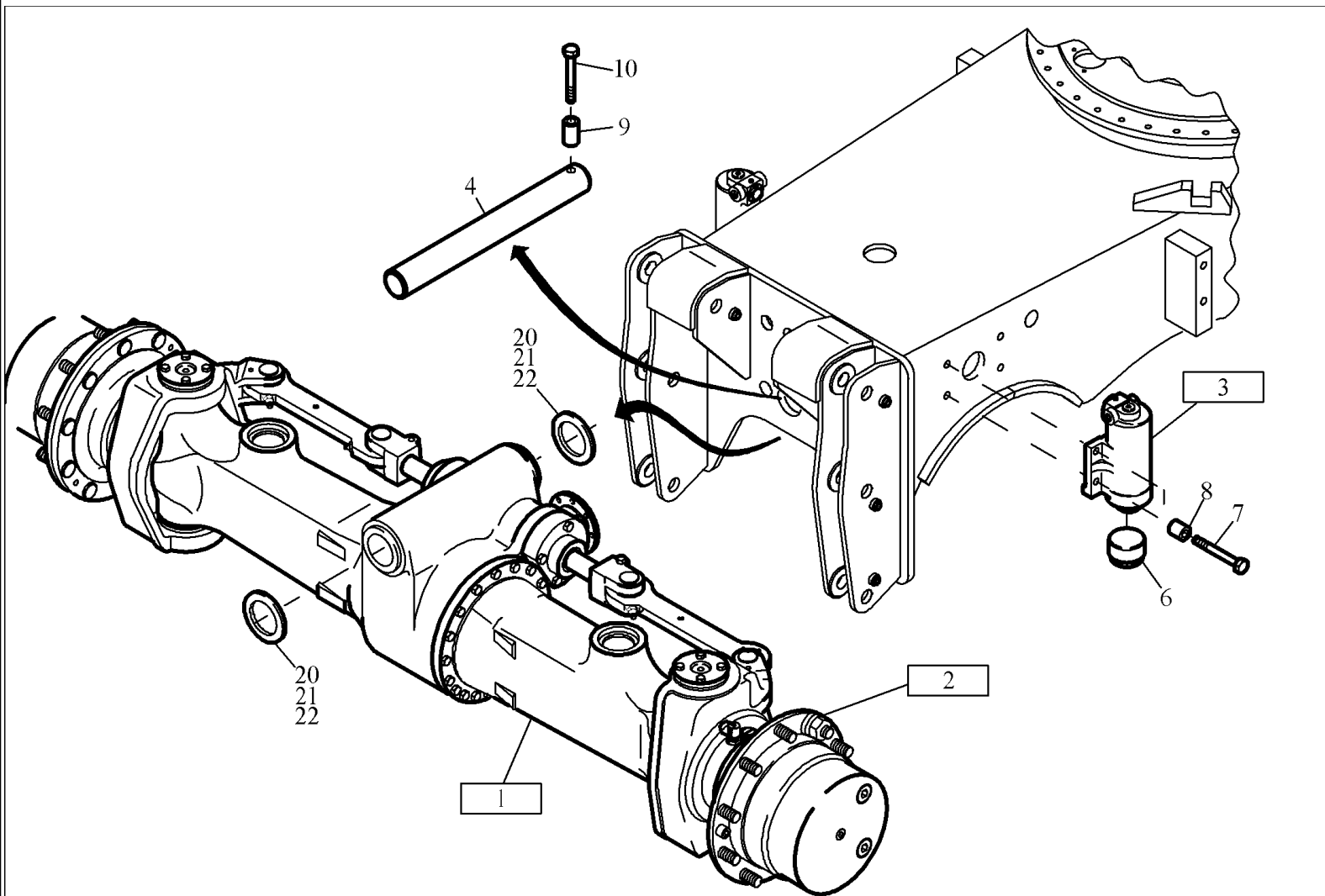
Ref	Part Number	Qty	Description
1	8919695	1	
3	2186414	1	



## WX165 WHEELED EXCAVATOR (2/04-)

## 02.010(001) STEERING AXLE INSTALL.MATERIAL (S/N 471001-471013)

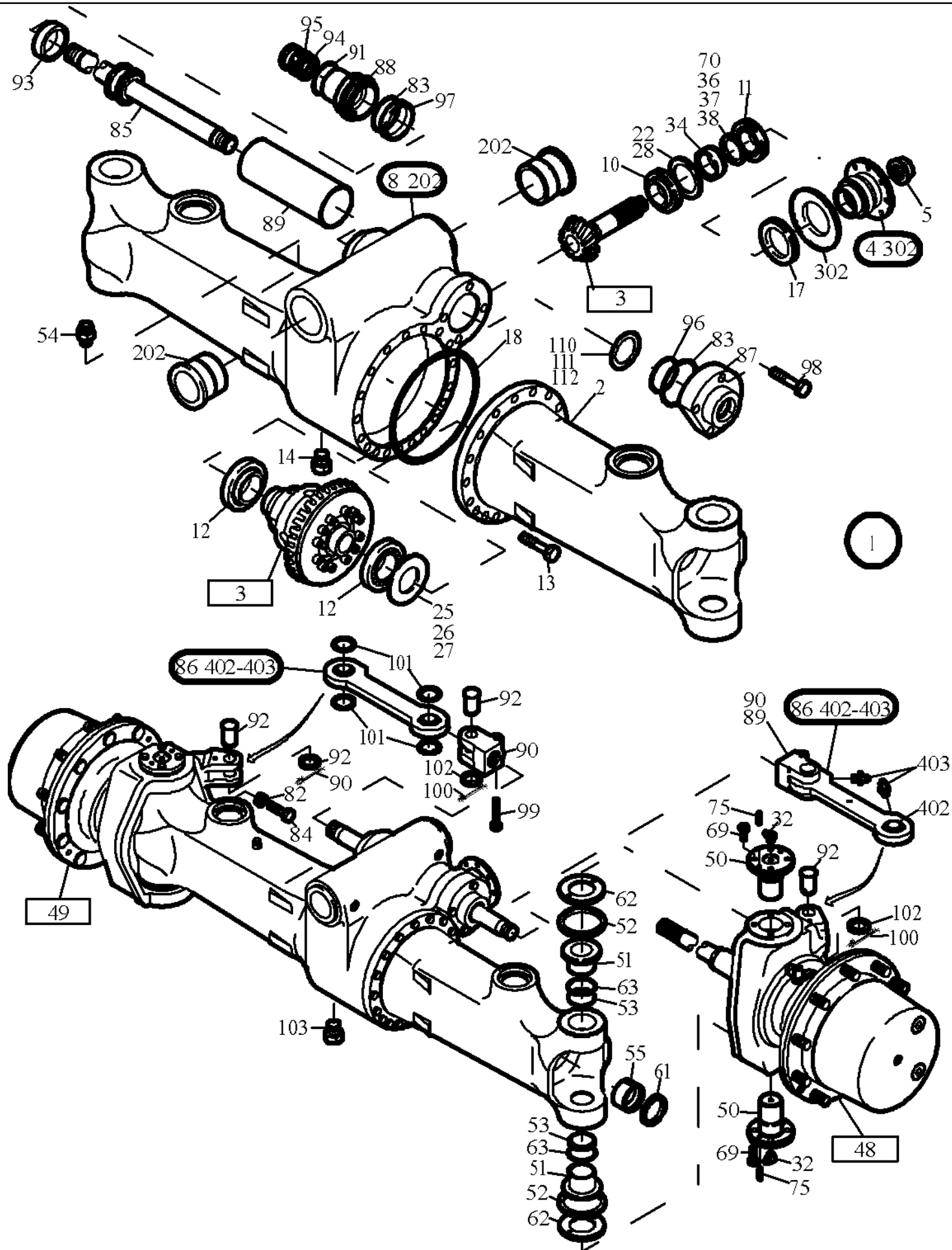
Ref	Part Number	Qty	Description
1	NS	1	SEE FIGURE 02.012/001
2	NS	1	SEE FIGURE 05.110/001
3	NS	2	SEE FIGURE 24.312/001
4	8910410	1	
6	1293436	2	
7	936954	8	
8	1295142	8	
9	2247485	1	
10	57068	1	



## WX165 WHEELED EXCAVATOR (2/04-)

## 02.010(002) STEERING AXLE INSTALL.MATERIAL (S/N 471014-UP)

Ref	Part Number	Qty	Description
1	NS	1	SEE FIGURE 02.012/002
2	NS	1	SEE FIGURE 05.110/001
3	NS	2	SEE FIGURE 24.310/001
4	8910410	1	
6	1293436	2	
7	936954	8	
8	1295142	8	
9	2247485	1	
10	57068	1	
20	3032018	AR	
21	3032019	AR	
22	3032020	AR	



## WX165 WHEELED EXCAVATOR (2/04-)

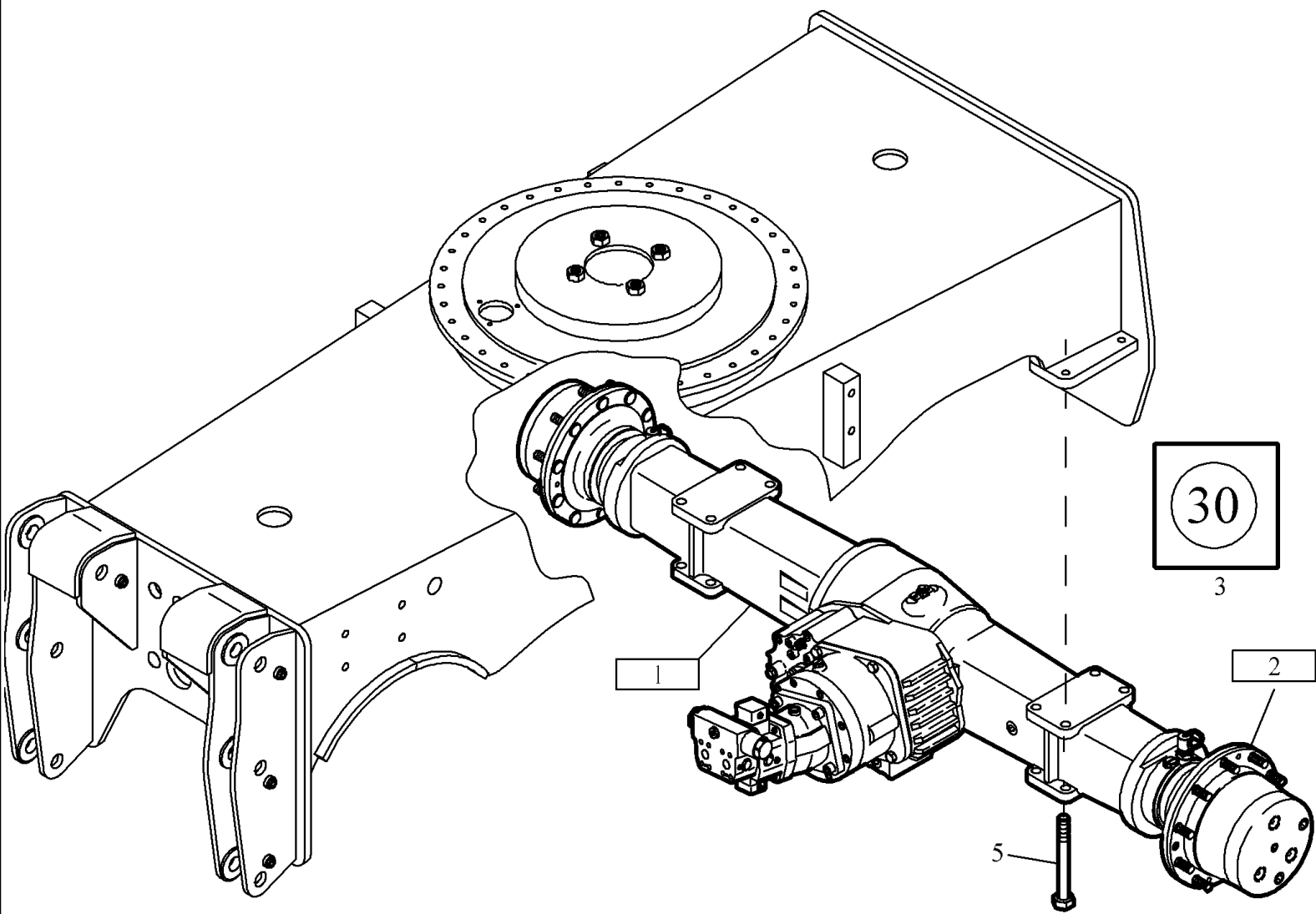
## 02.012(001) STEERING AXLE (S/N 471001-471013)

Ref	Part Number	Qty	Description
1	2809295	1	
2	2808411	1	
3	NS	1	SEE FIGURE 16.600/002
4	2808391	1	
5	1597982	1	
8	2809296	1	
10	44514	1	
11	157685	1	
12	11447	2	
13	301566	19	
14	424052A1	1	
15	424259A1	1	
17	2168639	1	
18	2900495	1	
22	2247515	AR	
23	2247516	AR	
25	2929286	AR	
26	2213390	AR	
27	2213391	AR	
28	2247523	AR	
32	933781R1	2	
34	1753662	1	
36	2929272	AR	
37	424002A1	AR	
38	424004A1	AR	
48	NS	1	SEE FIGURE 02.220/001
49	NS	1	SEE FIGURE 02.220/002
50	2809836	4	
51	2177375	4	
52	1584192	2	
53	1599563	4	
54	420326A1	1	
55	1709862	2	
61	2810205	2	
62	760987	4	
63	158085	4	
69	28729	16	
70	2213478	AR	
75	4921216	4	
82	825-1416	2	M16, CI 8
83	1740975	2	
84	1729612	2	
85	1929118	1	
86	1904365	2	
87	2177541	1	

## WX165 WHEELED EXCAVATOR (2/04-)

02.012(001) STEERING AXLE (S/N 471001-471013)

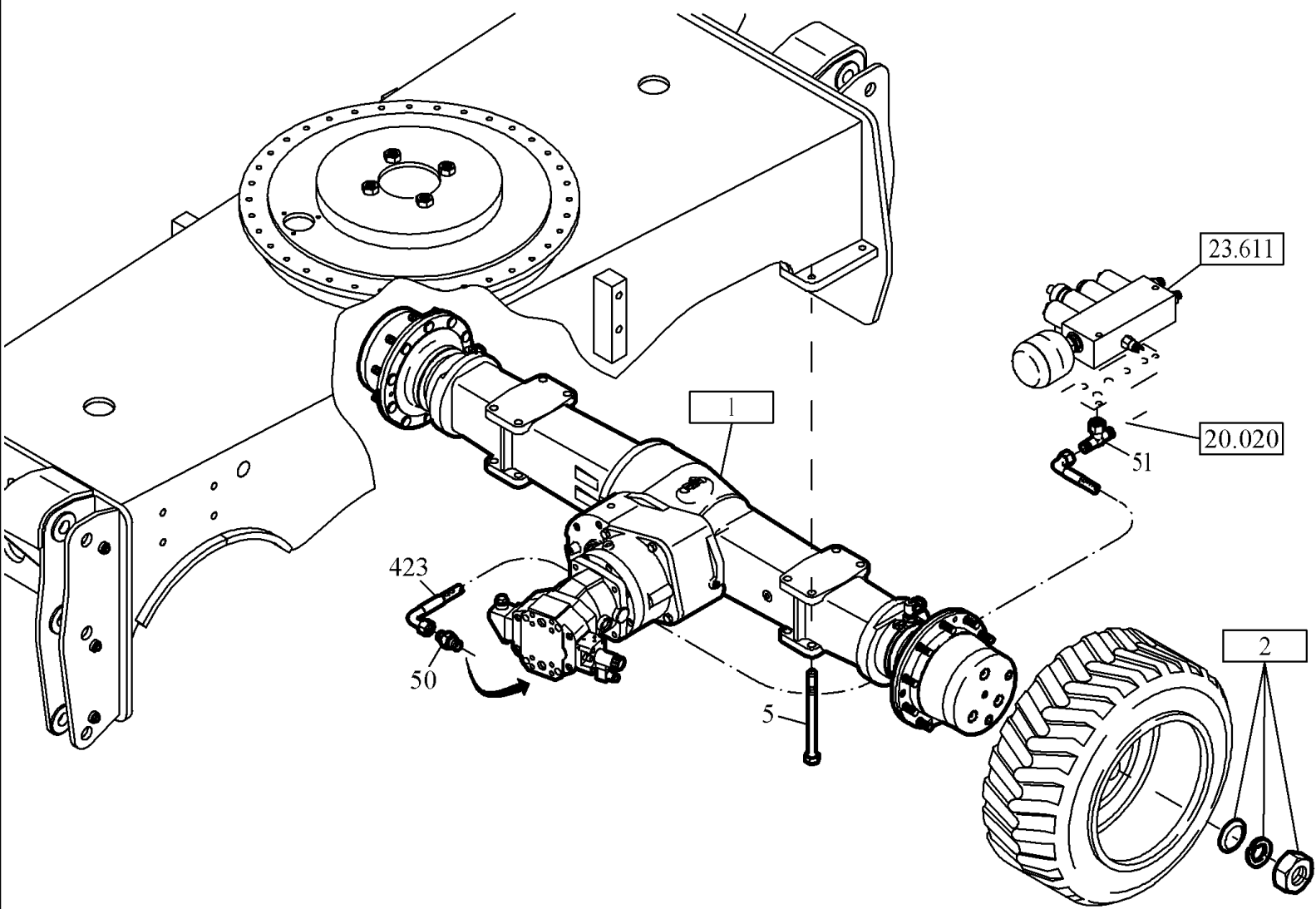
Ref	Part Number	Qty	Description
88	2177542	1	
89	1599558	1	
90	1599565	2	
91	4921215	2	
92	1904368	4	
93	1709859	1	
94	4921214	2	
95	420181A1	2	
96	43934	1	
97	243564	1	
98	118118	4	
99	1637759	2	
100	12735	4	
101	591361	16	
102	2973453	4	
103	420433A1	2	
110	1570594	AR	
111	1570593	AR	
112	1570589	AR	
202	1599537	2	
302	2807951	1	
402	1520880	2	
403	2973067	2	



WX165 WHEELED EXCAVATOR (2/04- )

02.060(001) RIGID AXLE INSTALL.MATERIAL 30KM/H (S/N 471001-471013)

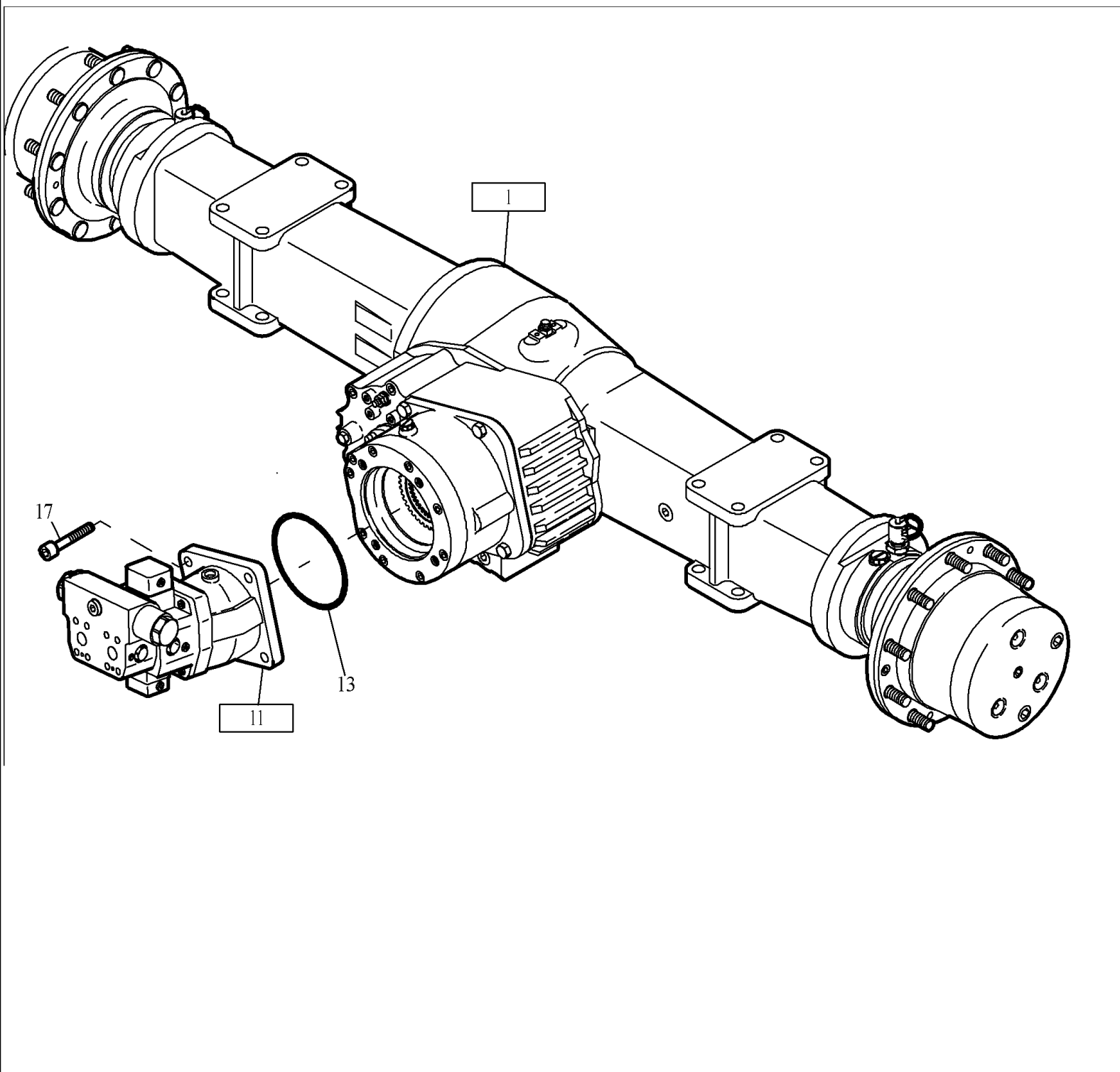
Ref	Part Number	Qty	Description
1	NS	1	SEE FIGURE 02.061/001
2	NS	1	SEE FIGURE 05.110/001
3	1288916	3	
5	251834	8	



WX165 WHEELED EXCAVATOR (2/04-)

02.060(002) RIGID AXLE INSTALL.MATERIAL (S/N 471014-UP)

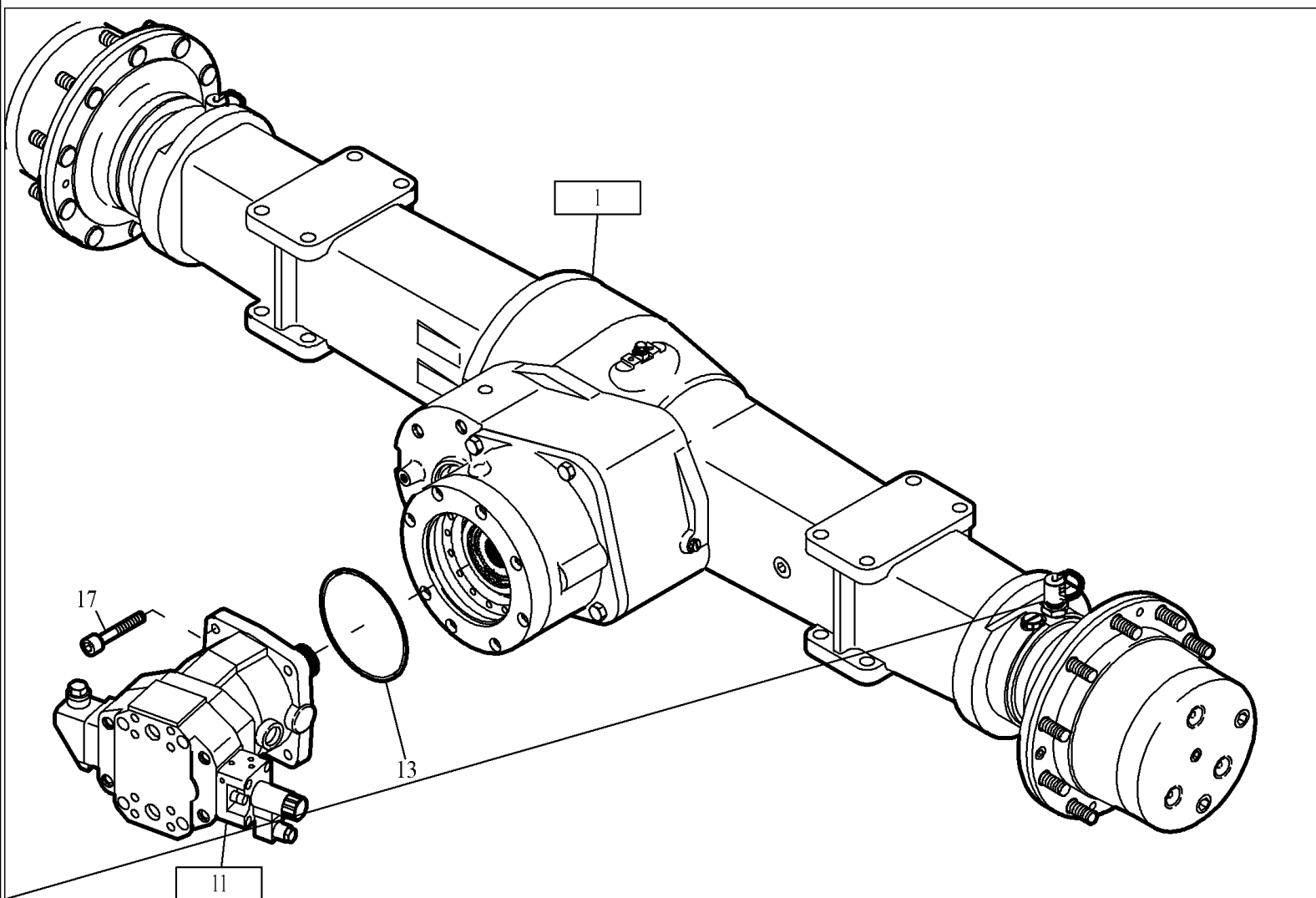
Ref	Part Number	Qty	Description
1	NS	1	SEE FIGURE 02.061/002
2	NS	1	SEE FIGURE 05.110/001
5	782767	8	
50	420468A1	1	
51	420469A1	1	
423	8919203	1	



WX165 WHEELED EXCAVATOR (2/04- )

02.061(001) RIGID AXLE MOUNTING PARTS 30KM/H (S/N 471001-471013)

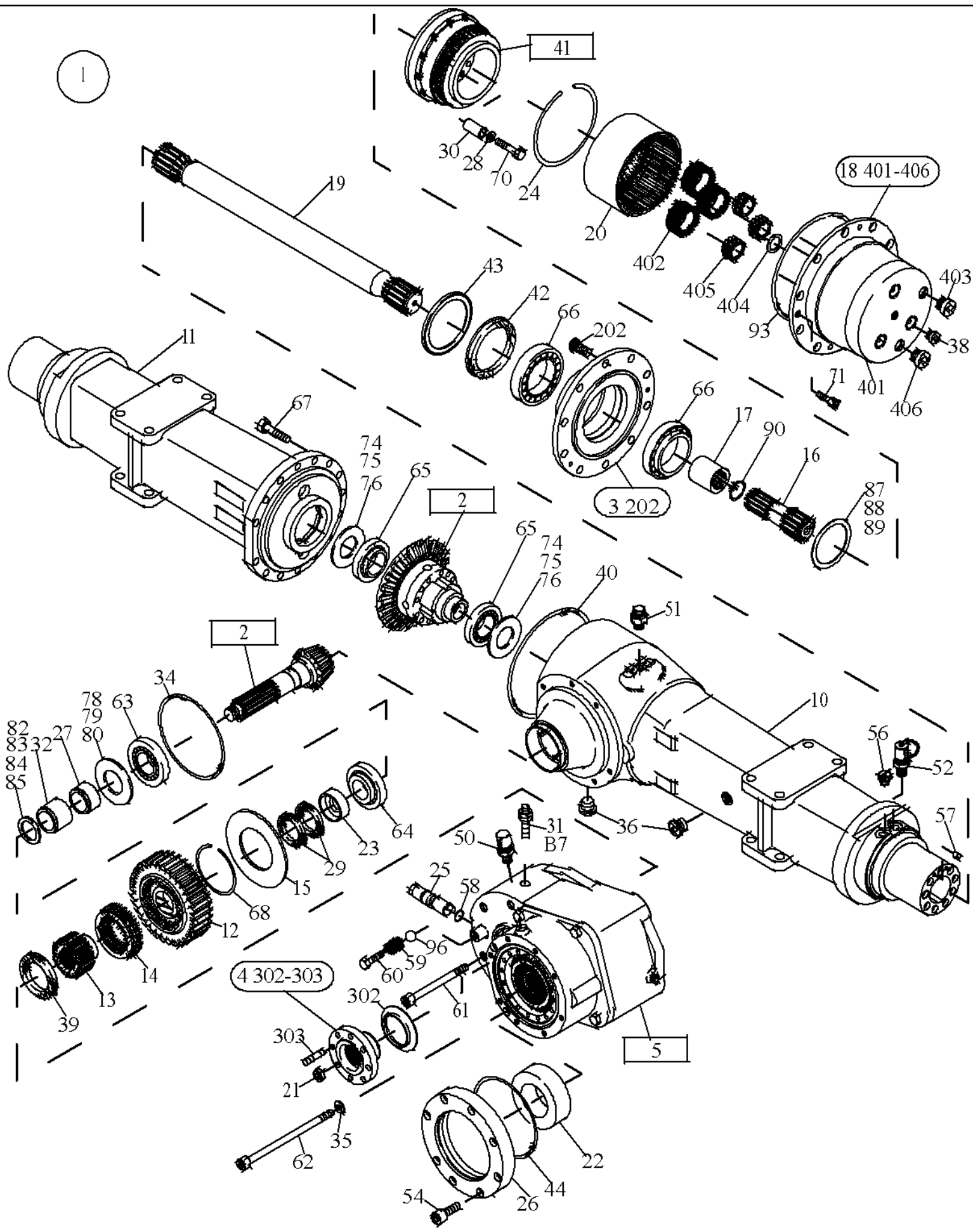
Ref	Part Number	Qty	Description
1	NS	1	SEE FIGURE 02.062/001
11	NS	1	SEE FIGURE 22.120/001
13	2900488	1	
17	7832198	4	



WX165 WHEELED EXCAVATOR (2/04- )

02.061(002) RIGID AXLE MOUNTING PARTS (S/N 471014-UP)

Ref	Part Number	Qty	Description
1	NS	1	SEE FIGURE 02.062/001
11	NS	1	SEE FIGURE 22.120/002
13	2900488	1	
17	7832198	4	



## WX165 WHEELED EXCAVATOR (2/04- )

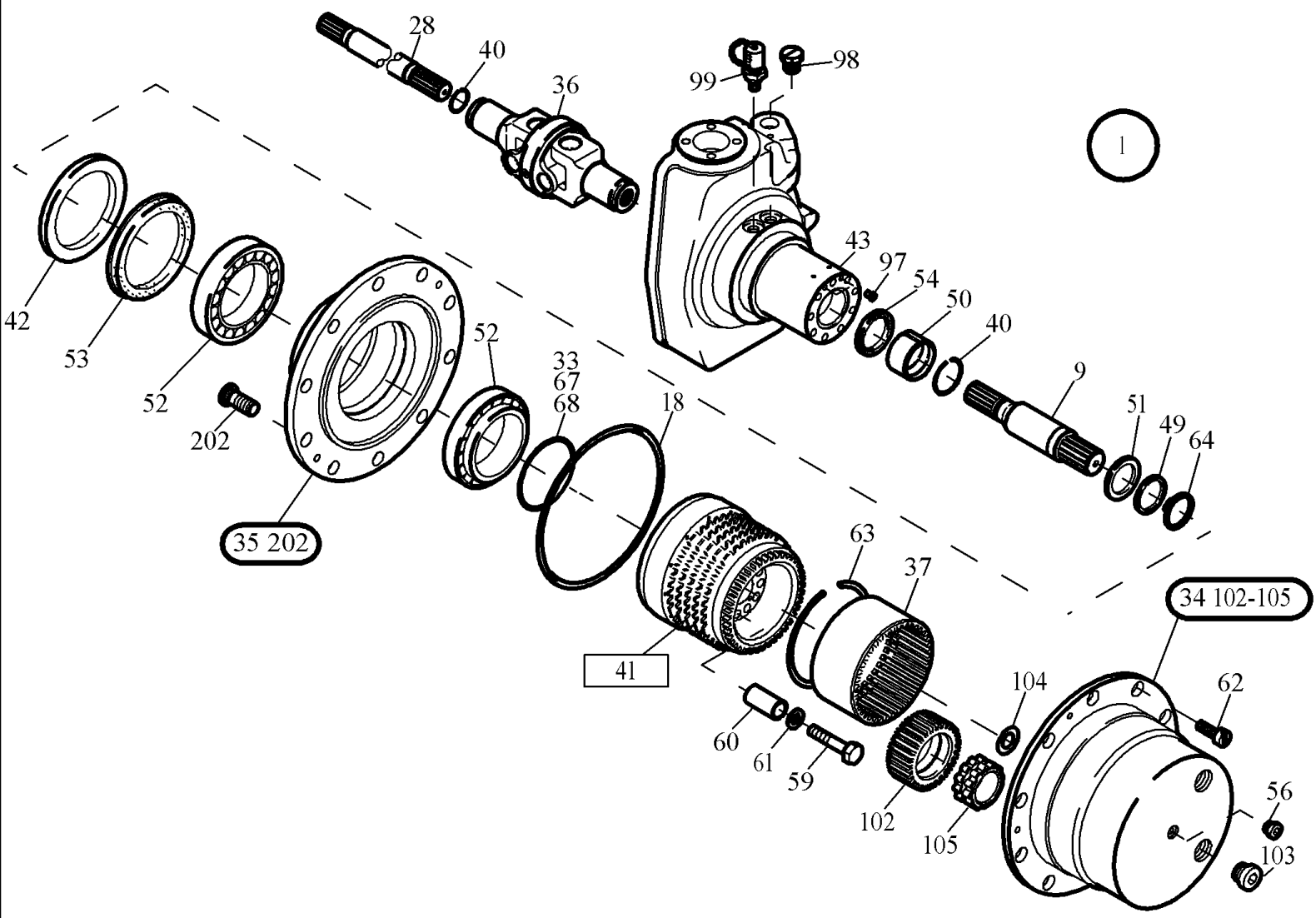
## 02.062(001) RIGID AXLE (S/N 471001-UP)

Ref	Part Number	Qty	Description
1	2814082	1	
2	NS	1	SEE FIGURE 16.600/001
3	2808394	2	
4	2807937	1	
5	NS	1	SEE FIGURE 16.022/001
10	2808396	1	
11	2808398	1	
12	2807299	1	
13	2494631	1	
14	2494633	1	
15	2808971	1	
16	2809582	2	
17	1715363	2	
18	2815387	2	
19	2809585	2	
20	2809586	2	
21	1597982	1	
22	2810632	1	
23	2807949	1	
24	2759348	2	
25	2456313	1	
26	2807579	1	
27	2810823	AR	
28	2759945	22	
29	2377414	2	
30	2759976	22	
31	2810228	1	
32	2810824	AR	
34	2900493	1	
35	44272	1	
36	424052A1	1	
37	424259A1	1	
38	420702A1	2	
39	2168639	1	
40	2900495	1	
41	NS	2	SEE FIGURE 19.202/001
42	2928269	2	
43	2814414	2	
44	2900491	1	
45	2929507	1	
50	2810609	1	
51	2810610	1	
52	2247044	2	
54	424048A1	8	
56	7396295	2	

## WX165 WHEELED EXCAVATOR (2/04- )

## 02.062(001) RIGID AXLE (S/N 471001-UP)

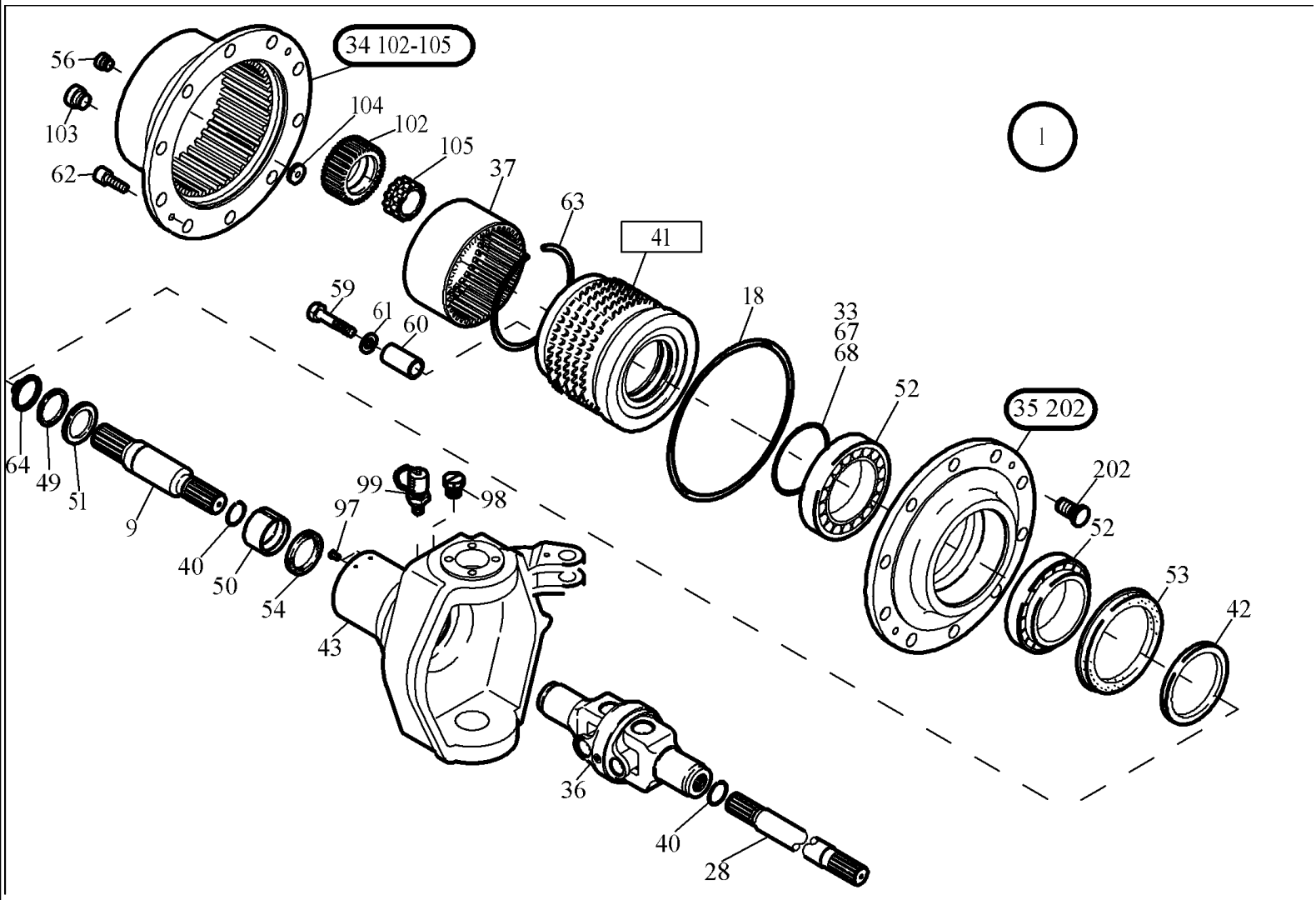
Ref	Part Number	Qty	Description
58	2900481	1	
59	901425	1	
60	536600	1	
61	2426708	4	
62	2781772	2	
63	44514	1	
64	157685	1	
65	11447	2	
66	1909613	4	
67	301566	15	
68	308742	1	
70	827-10075	22	
71	945541	4	
72	1058958	2	
73	2928989	1	
74	2247515	AR	
75	2247516	AR	
76	2247523	AR	
78	2929286	AR	
79	2213390	AR	
80	2213391	AR	
82	2929272	AR	
83	424002A1	AR	
84	424004A1	AR	
85	2213478	AR	
87	2781743	AR	
88	1425461	AR	
89	1425462	AR	
90	301646	2	
93	2900496	2	
96	11133	1	
202	2808389	10	
302	2807951	1	
303	62144	8	
401	2815584	1	
402	2759339	3	
403	424052A1	1	
404	1717194	1	
405	2759315	3	
406	424259A1	1	



## WX165 WHEELED EXCAVATOR (2/04-)

## 02.220(001) WHEEL HUB LEFT-HAND (S/N 471001-UP)

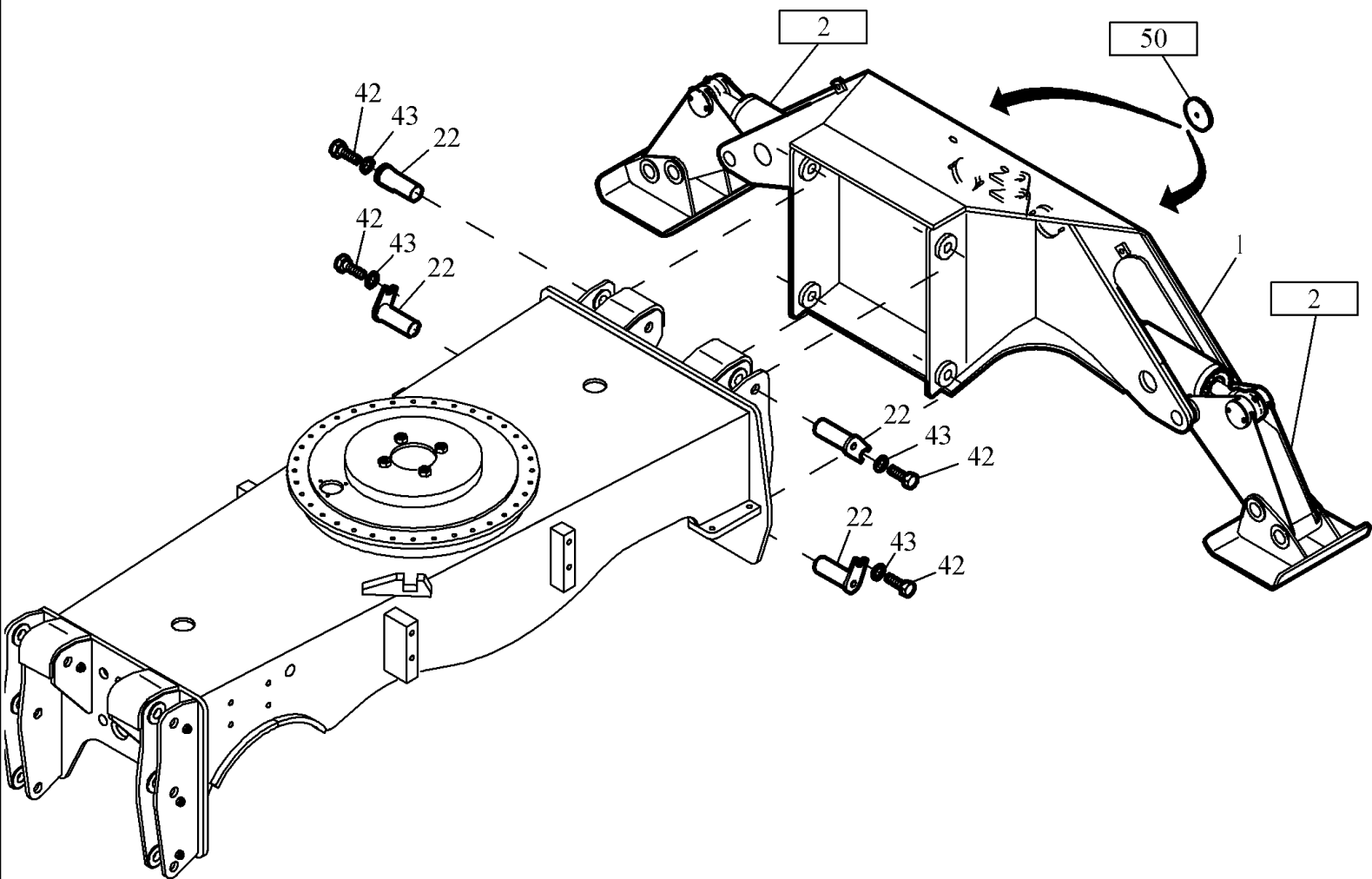
Ref	Part Number	Qty	Description
1	2809561	1	
9	2809563	1	
18	2900496	1	
28	2809567	1	
33	1425462	AR	
34	2809564	1	
35	2808394	1	
36	1584215	1	
37	2809586	1	
40	1729632	2	
41	NS	1	SEE FIGURE 19.202/001
42	2808966	1	
43	2808418	1	
49	2494899	1	
50	1709862	1	
51	1709858	1	
52	1909613	2	
53	2928269	1	
54	2810205	1	
56	420702A1	1	
59	827-10075	11	
60	2759976	11	
61	2759945	11	
62	945541	2	
63	2759348	1	
64	12491	1	
67	2781743	AR	
68	1425461	AR	
97	219632	2	
98	7396295	2	
99	2247044	1	
102	2759339	3	
103	424052A1	1	
104	1717194	1	
105	2759315	3	
202	2808389	10	



## WX165 WHEELED EXCAVATOR (2/04-)

## 02.220(002) WHEEL HUB RIGHT-HAND (S/N 471001-UP)

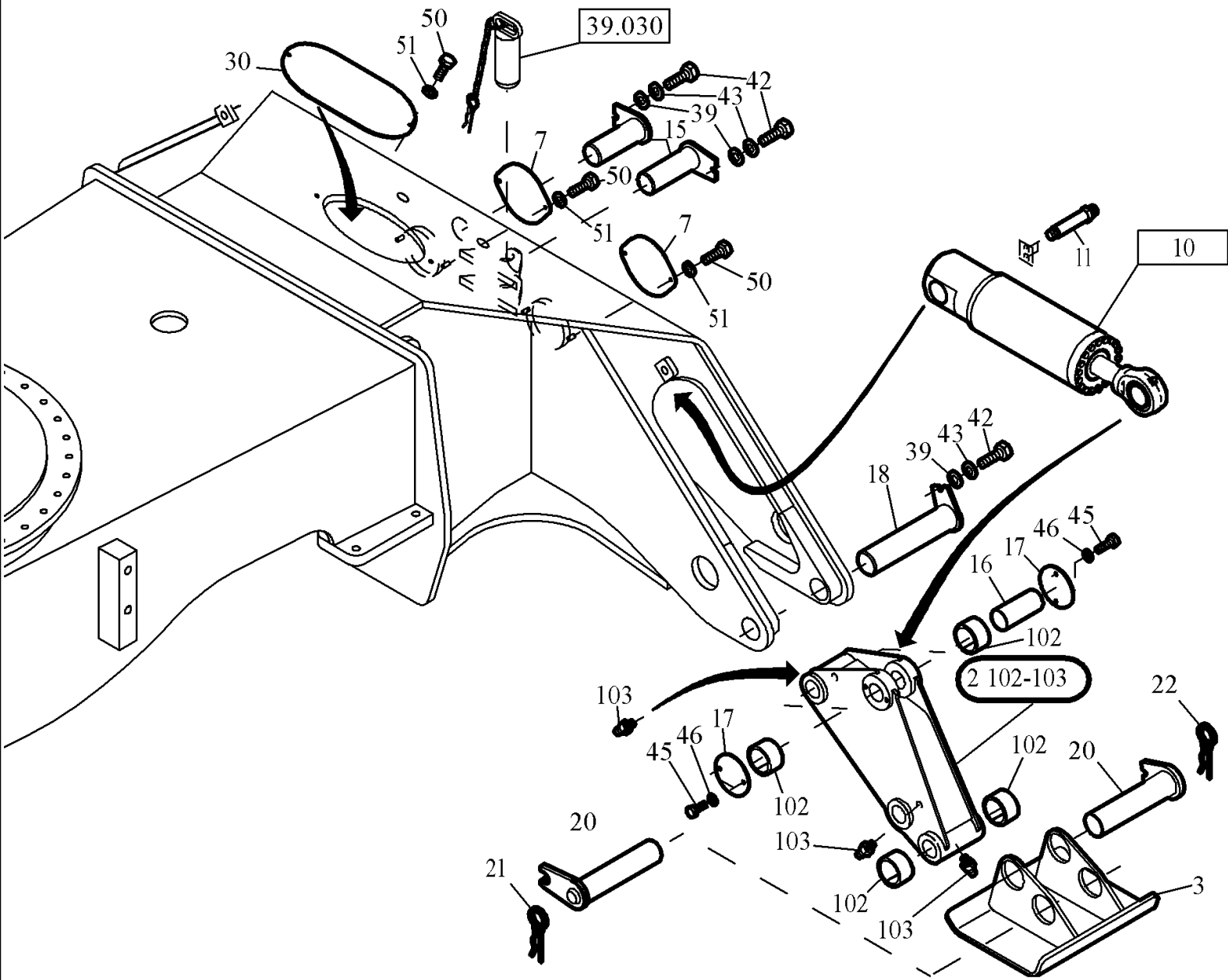
Ref	Part Number	Qty	Description
1	2809562	1	
9	2809563	1	
18	2900496	1	
28	2809567	1	
33	1425462	AR	
34	2809564	1	
35	2808394	1	
36	1584215	1	
37	2809586	1	
40	1729632	2	
41	NS	1	SEE FIGURE 19.202/001
42	2808966	1	
43	2808422	1	
49	2494899	1	
50	1709862	1	
51	1709858	1	
52	1909613	2	
53	2928269	1	
54	2810205	1	
56	420702A1	1	
59	827-10075	11	
60	2759976	11	
61	2759945	11	
62	945541	2	
63	2759348	1	
64	12491	1	
67	2781743	AR	
68	1425461	AR	
97	219632	2	
98	7396295	2	
99	2247044	1	
102	2759339	3	
103	424052A1	1	
104	1717194	1	
105	2759315	3	
202	2808389	10	



WX165 WHEELED EXCAVATOR (2/04- )

04.010(001) SUPPORT INSTALL.MATERIAL (OPTION) (S/N 471001-UP)

Ref	Part Number	Qty	Description
1	8918375	1	
2	NS	1	SEE FIGURE 04.012/001
22	1903232	4	
42	518161	4	
43	2247485	4	
50	NS	2	SEE FIGURE 35.050/001



## WX165 WHEELED EXCAVATOR (2/04- )

04.012(001) SUPPORT (OPTION) (S/N 471001-UP)

Ref	Part Number	Qty	Description
2	8918338	2	
3	8918347	2	
7	8911344	2	
10	NS	2	SEE FIGURE 24.160/001
11	8903597	4	
15	1716530	2	
16	8911324	2	
17	1585189	4	
18	8910414	2	
20	8919232	4	
21	2929856	2	
22	251078	2	
30	8911345	1	
39	67125	4	
42	518161	4	
43	2247485	4	
45	614-12025	8	
46	41254	8	
50	336199	6	
51	2975165	6	
102	1570467	6	
102	1570467	6	
103	933781R1	3	
103	933781R1	3	



**Suggest:**

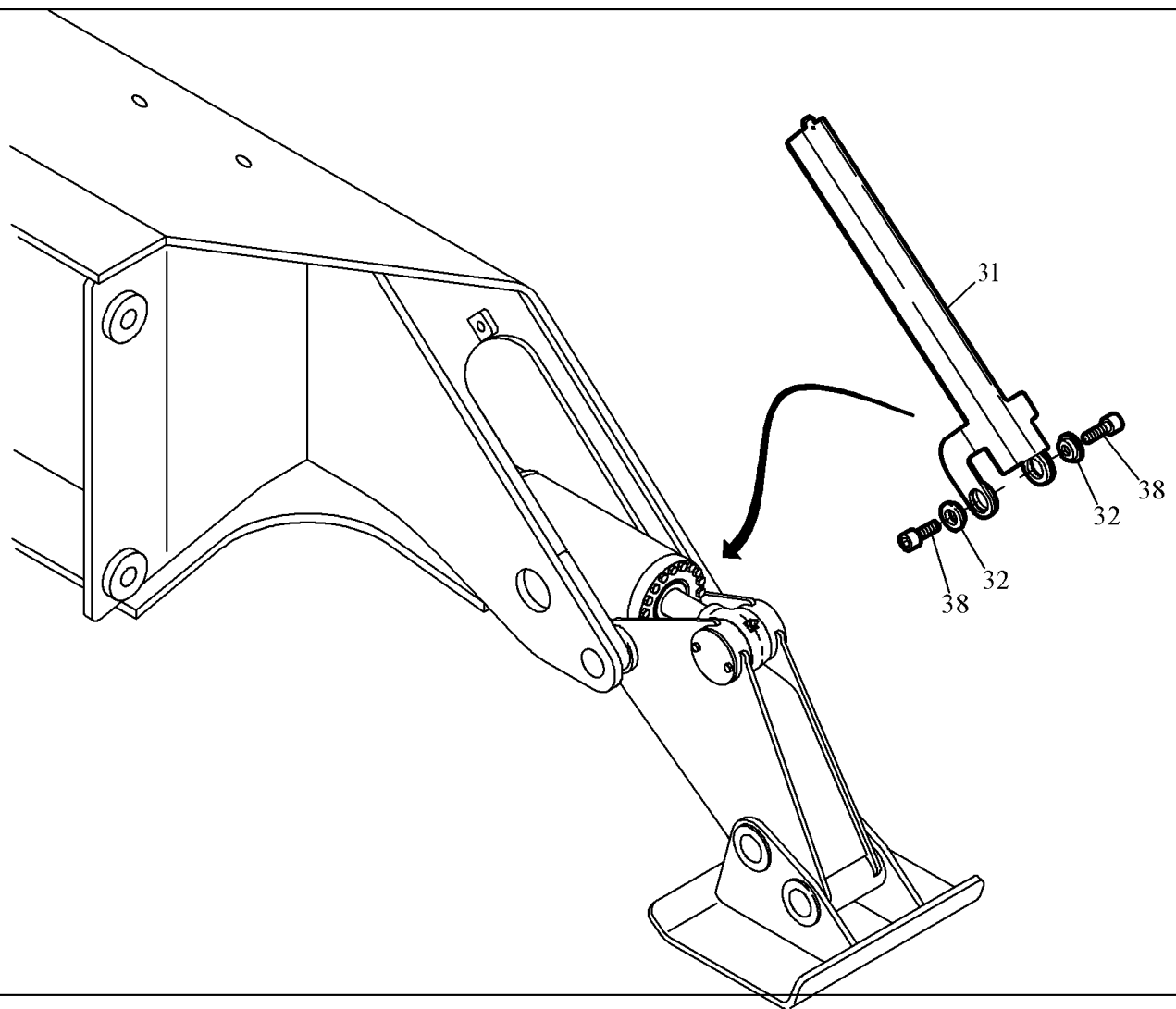
**If the above button click is invalid.**

**Please download this document**

**first, and then click the above link**

**to download the complete manual.**

**Thank you so much for reading**



**<https://www.ebooklibonline.com>**

Hello dear friend!

Thank you very much for reading.

Enter the link into your browser.

The full manual is available for immediate download.

**<https://www.ebooklibonline.com>**