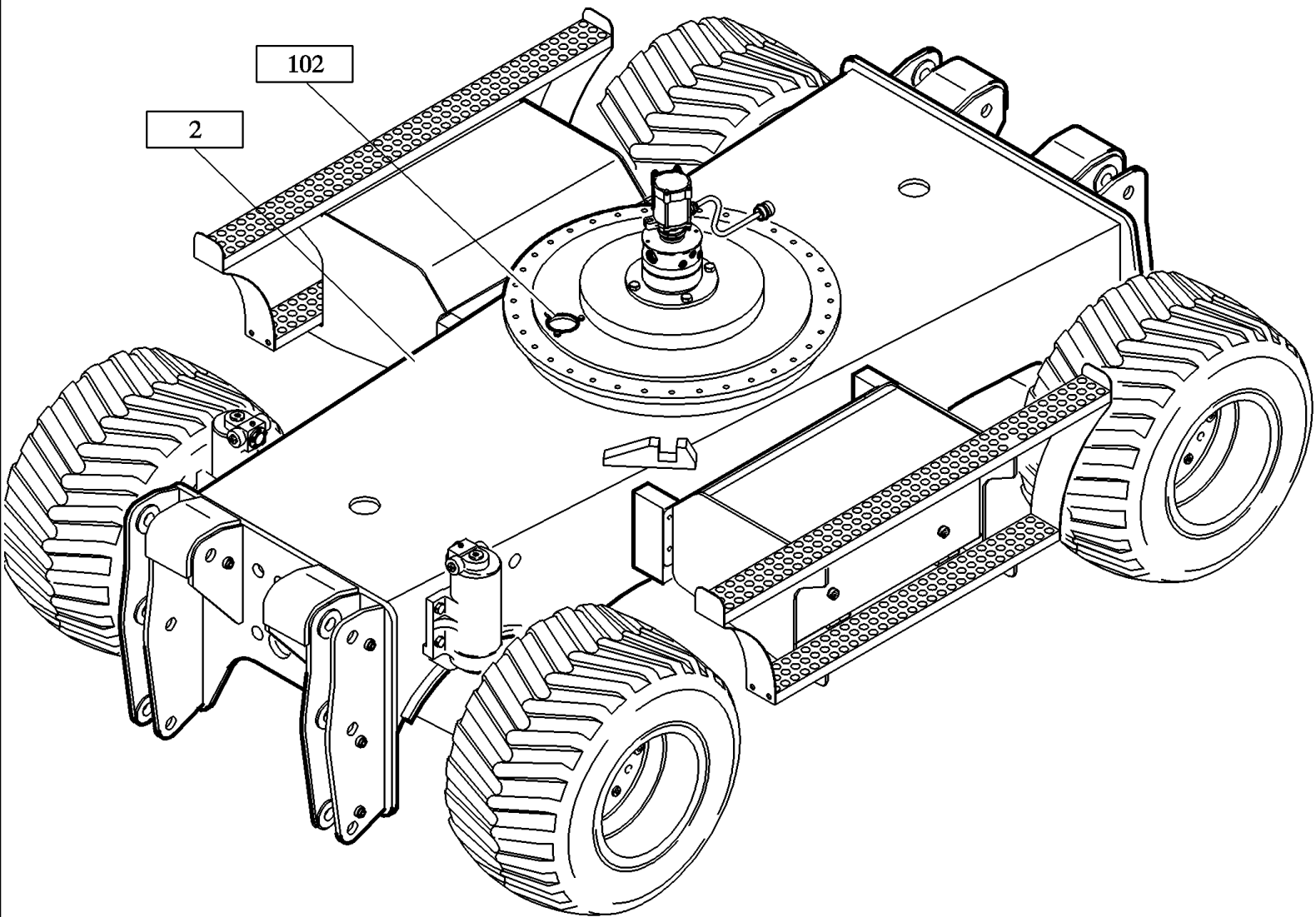




PARTS CATALOGUE

WHEEL EXCAVATOR
WX145

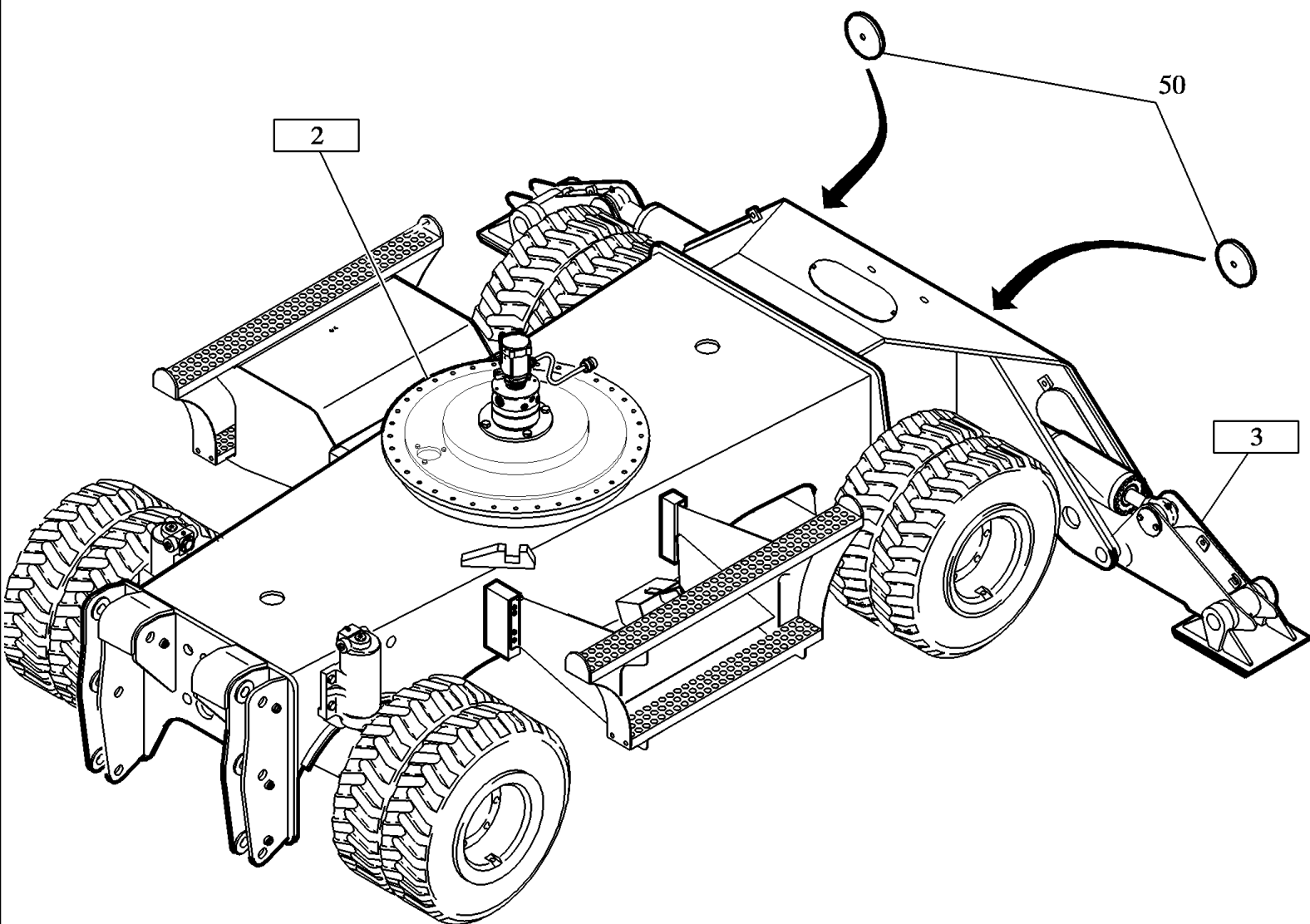


WX145 WHEELED EXCAVATOR (5/04-)

00.200(2988620000) LOWER CARRIAGE EXCAVATOR

Ref	Part Number	Qty	Description
2	NS	1	FRAME LOWER CARRIAGE WITH MOUNT. PARTS SEE FIGURE 01.200/2988268000
102	NS	1	FRAME LOWER CARRIAGE WITH MOUNT. PARTS SEE FIGURE 01.200/2945866000
990	8919654	AR	LOWER CARRIAGE

2992642



<https://www.ebooklibonline.com>

Hello dear friend!

Thank you very much for reading.

Enter the link into your browser.

The full manual is available for immediate download.

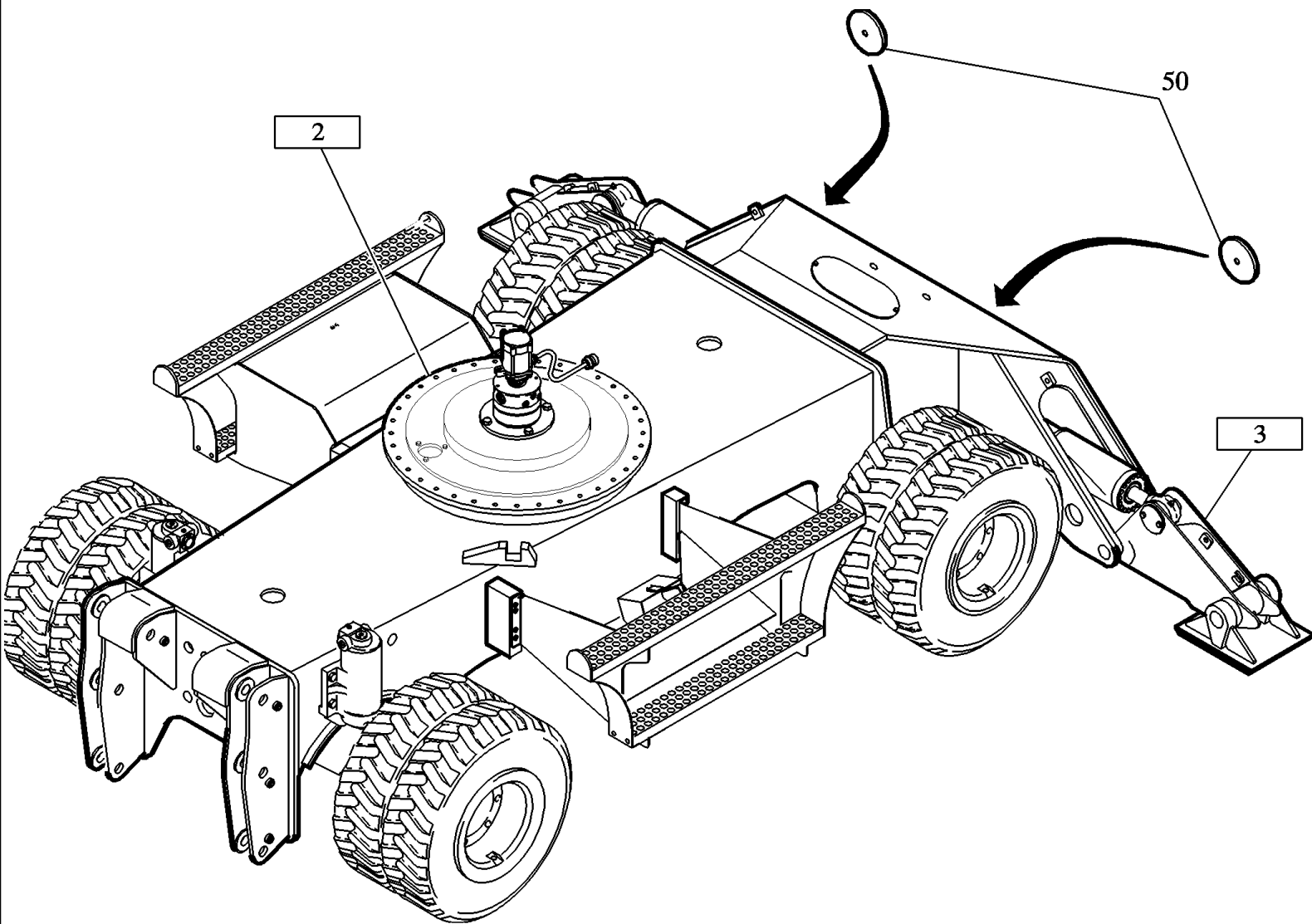
<https://www.ebooklibonline.com>

WX145 WHEELED EXCAVATOR (5/04-)

00.200(2990469000) LOWER CARRIAGE EXCAVATOR

Ref	Part Number	Qty	Description
2	NS	1	FRAME LOWER CARRIAGE WITH MOUNT. PARTS SEE FIGURE 01.200/2988268000
3	NS	1	SUPPORT SEE FIGURE 04.012/2987492002
50	2900948	2	CATSEYE
990	8921361	AR	LOWER CARRIAGE

2992642

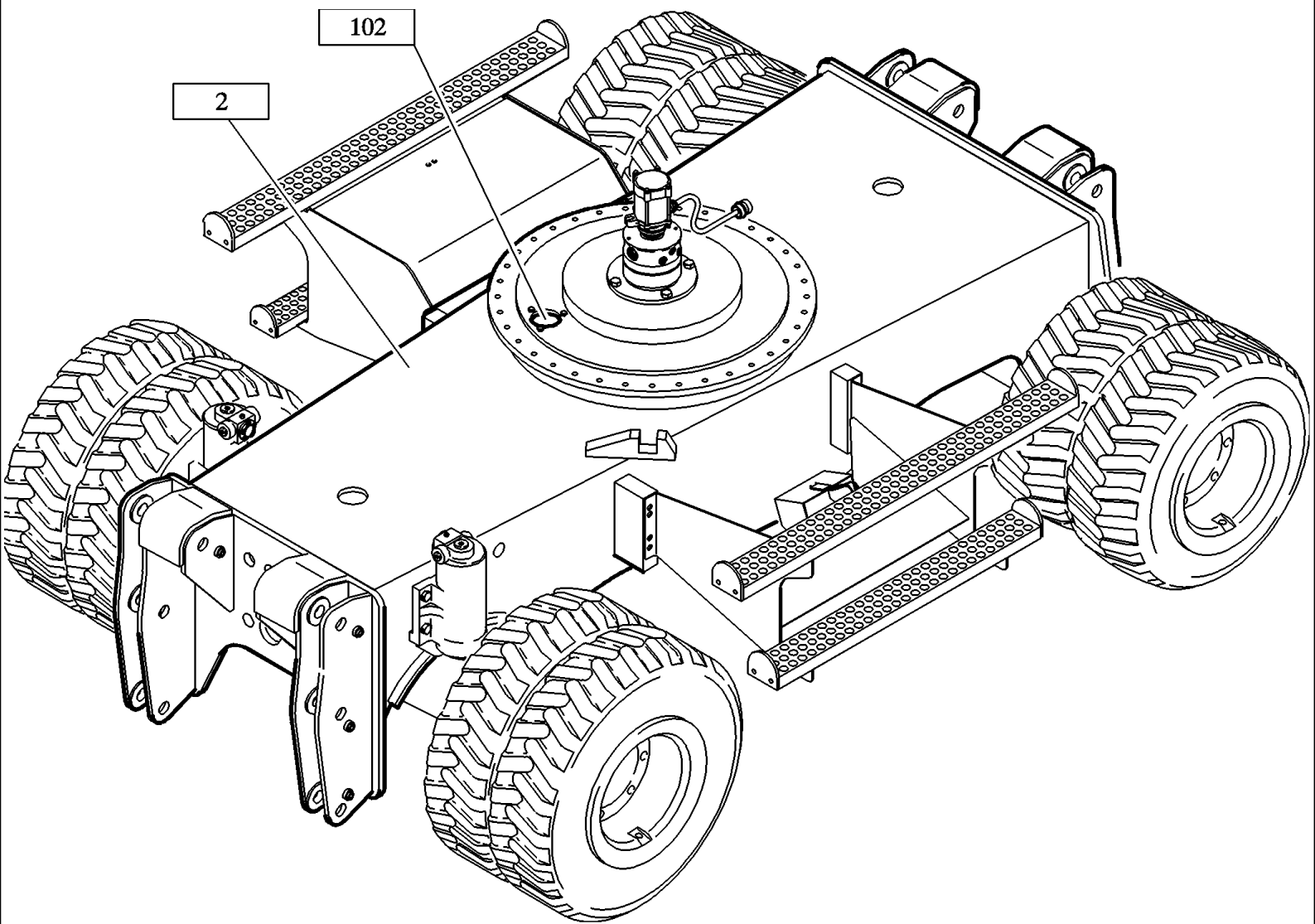


WX145 WHEELED EXCAVATOR (5/04-)

00.200(2991322000) LOWER CARRIAGE EXCAVATOR

Ref	Part Number	Qty	Description
2	NS	1	FRAME LOWER CARRIAGE WITH MOUNT. PARTS SEE FIGURE 01.200/2991291000
3	NS	1	SUPPORT SEE FIGURE 04.012/2987492002
50	2900948	2	CATSEYE
990	8923210	AR	LOWER CARRIAGE

2992642

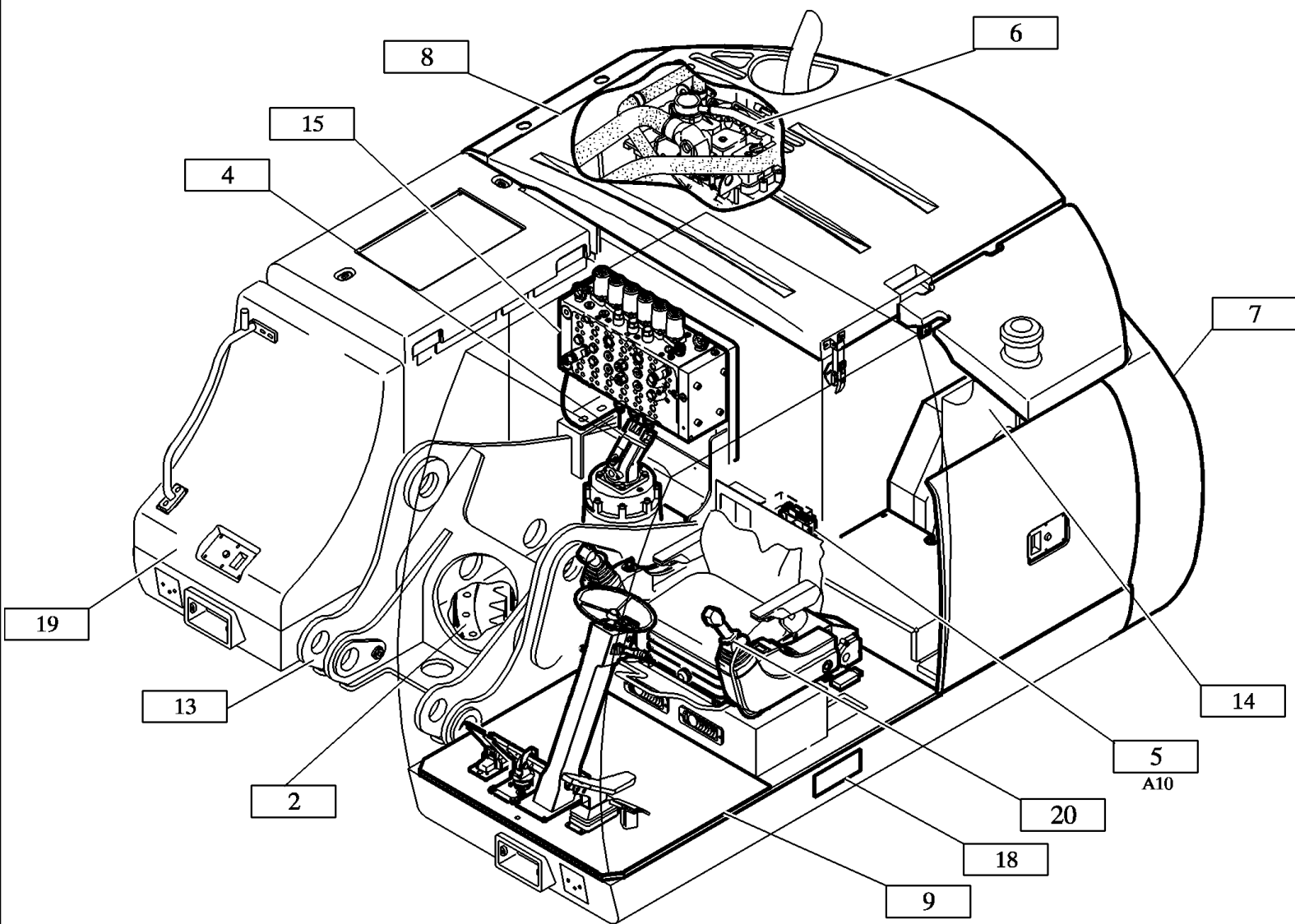


WX145 WHEELED EXCAVATOR (5/04-)

00.200(2991623000) LOWER CARRIAGE EXCAVATOR

Ref	Part Number	Qty	Description
2	NS	1	FRAME LOWER CARRIAGE WITH MOUNT. PARTS SEE FIGURE 01.200/2991291000
102	NS	1	FRAME LOWER CARRIAGE WITH MOUNT. PARTS SEE FIGURE 01.200/2945866000
990	8922590		AR LOWER CARRIAGE

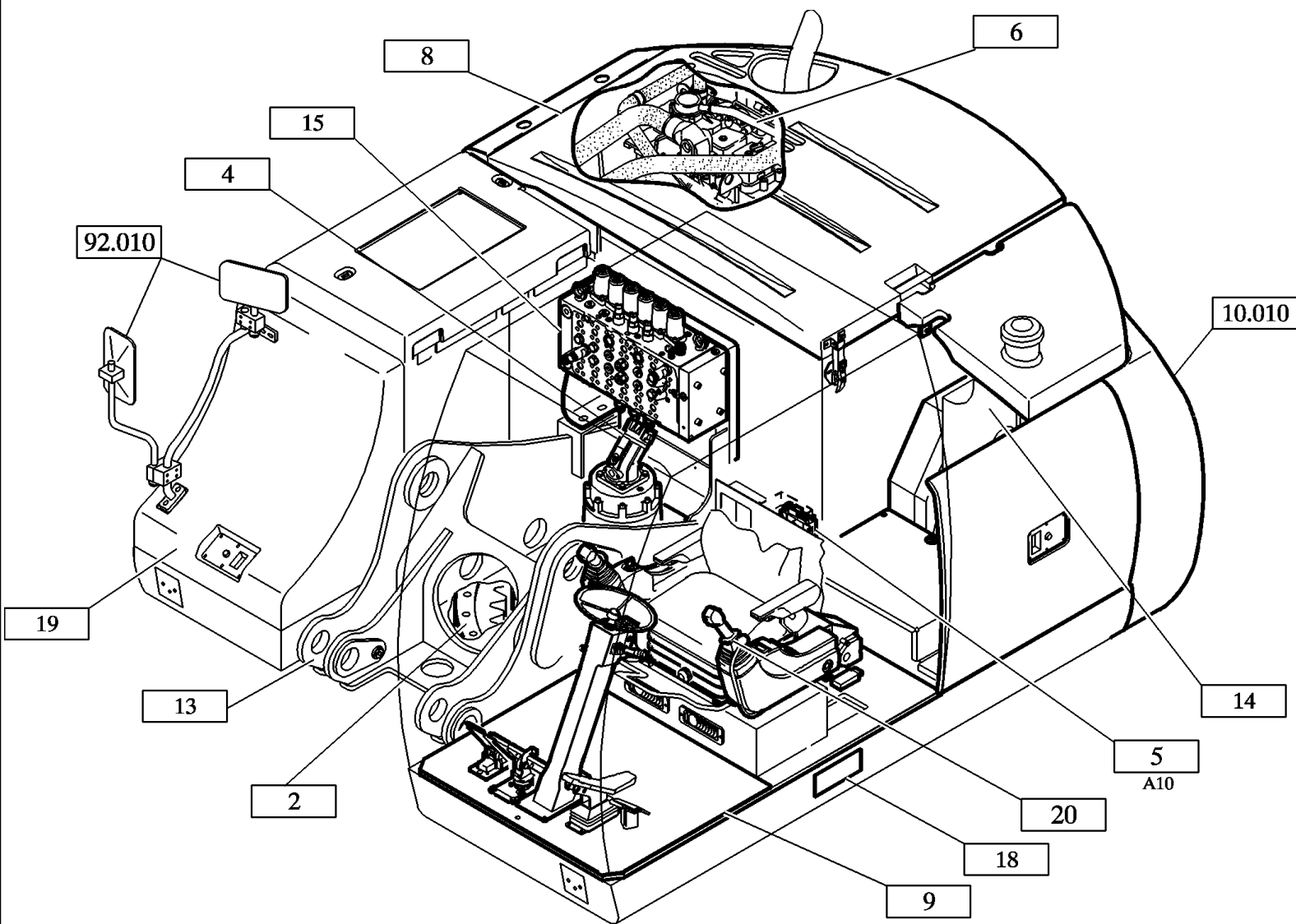
2992642



WX145 WHEELED EXCAVATOR (5/04-)

00.300(2988614000) UPPER CARRIAGE EXCAVATOR`

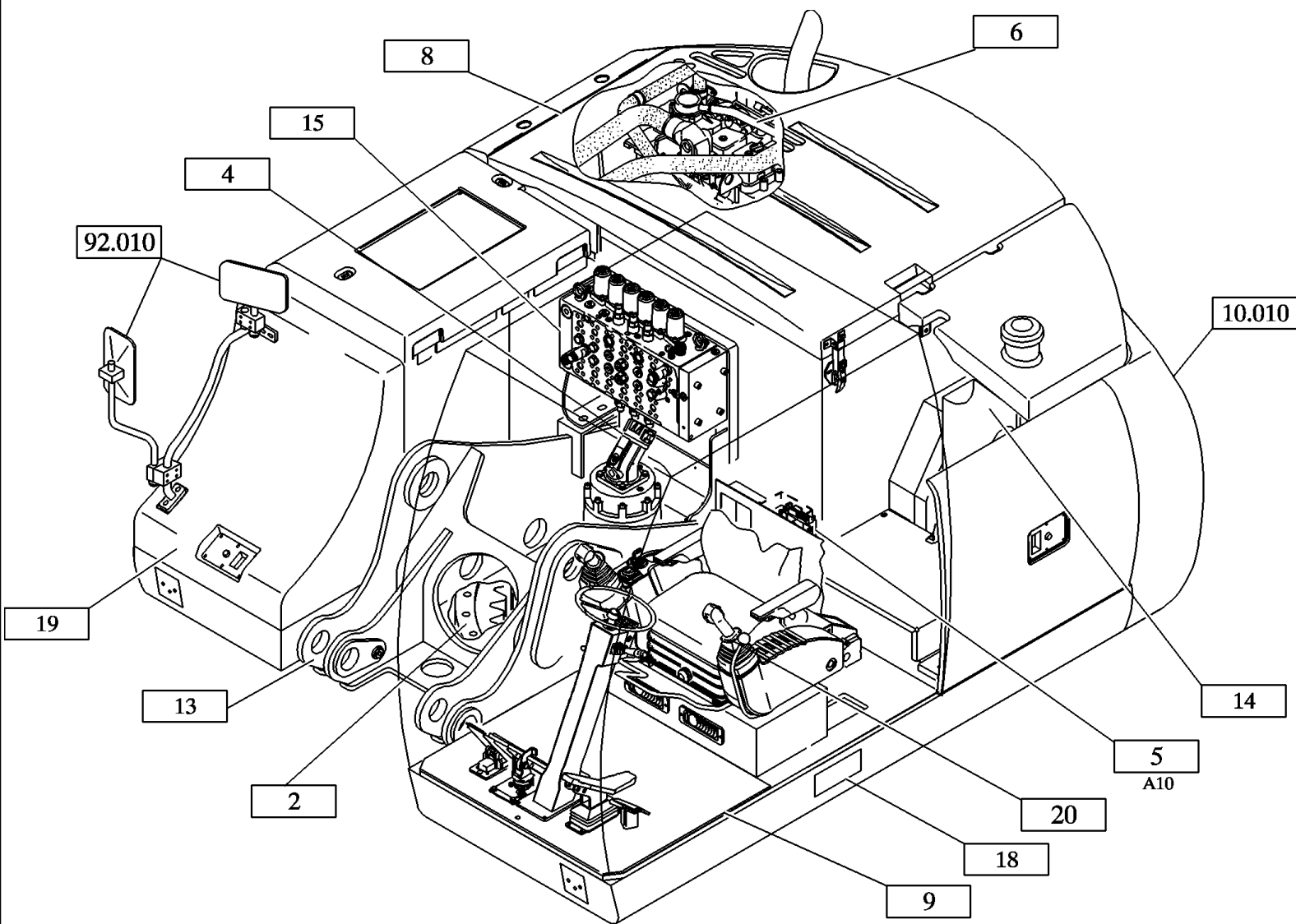
Ref	Part Number	Qty	Description
2	NS	1	SWIVEL CONNECTION UPPER CARRIAGE SEE FIGURE 11.012/2946592002
4	NS	1	SLEWING GEAR INSTALL.MATERIAL SEE FIGURE 16.030/2988437000
5	NS	1	CENTRAL ELECTRONIC INSTALL.MATERIAL SEE FIGURE 32.150/2988247000
6	NS	1	MOTOR INSTALL.MATERIAL SEE FIGURE 13.010/2988495000
7	NS	1	CONTAINER INSTALL.MATERIAL SEE FIGURE 10.010/2988531000
8	NS	1	PANELING COMPLETE SEE FIGURE 36.005/2990562000
9	NS	1	CAB MODULE INSTALL.MATERIAL SEE FIGURE 34.010/2990542000
13	NS	1	FRAME UPPER CARRIAGE WITH MOUNT. PARTS SEE FIGURE 01.300/2988537000
14	NS	1	FUEL TANK INSTALL.MATERIAL SEE FIGURE 10.200/2988498000
15	NS	1	HYDRAULIC SYSTEM UPPER CARRIAGE SEE FIGURE 20.030/2988584000
18	NS	1	DECAL KIT SEE FIGURE 91.010/2988815000
19	NS	1	TOOL SET SEE FIGURE 92.010/007
20	NS	1	ELECTRICAL SYSTEM BASIC MACHINE COMPLETE SEE FIGURE 32.010/007
990	3031880	AR	UPPER CARRIAGE



WX145 WHEELED EXCAVATOR (5/04-)

00.300(2991237000) UPPER CARRIAGE EXCAVATOR`

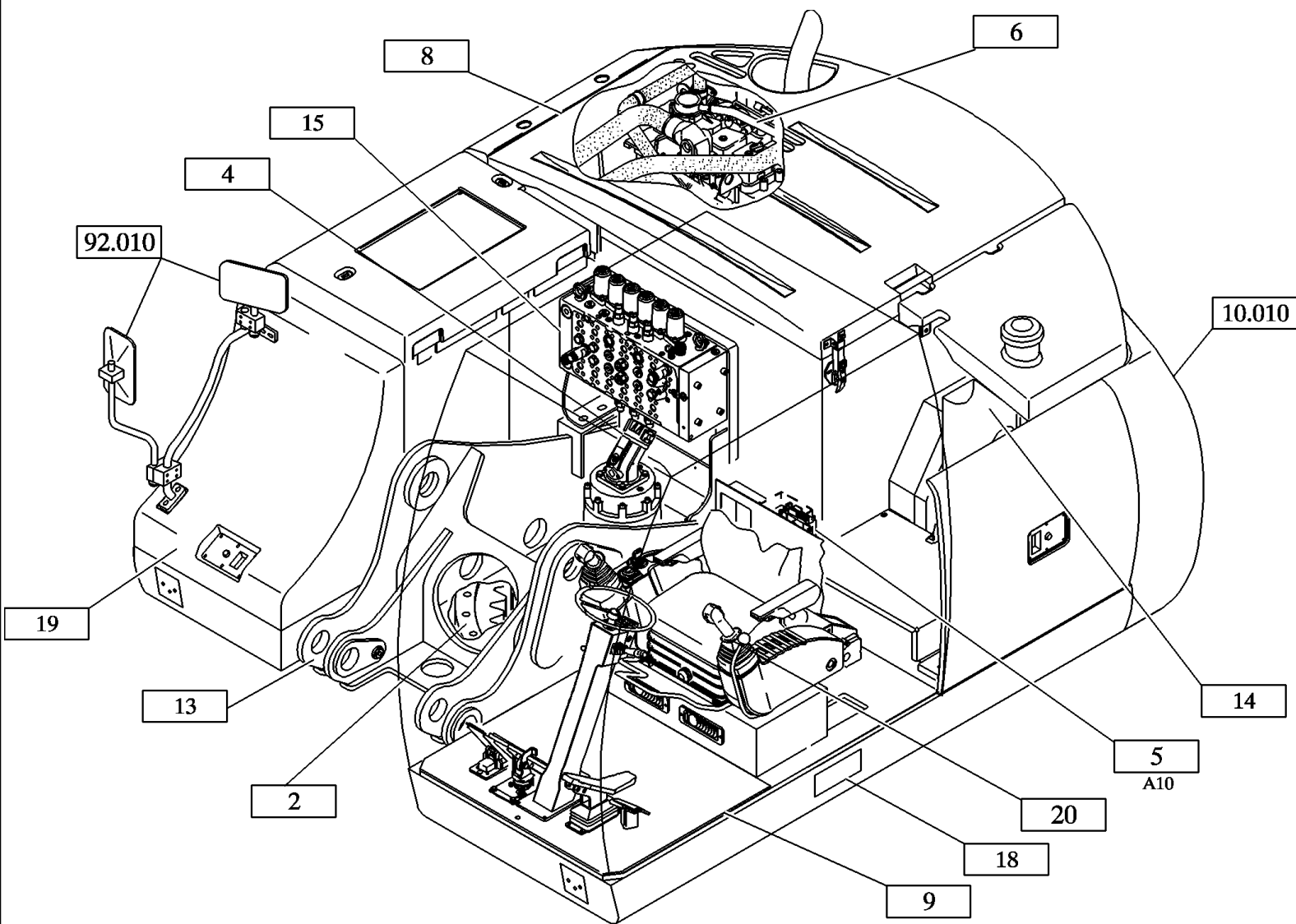
Ref	Part Number	Qty	Description
2	NS	1	SWIVEL CONNECTION UPPER CARRIAGE SEE FIGURE 11.012/2946592002
4	NS	1	SLEWING GEAR INSTALL.MATERIAL SEE FIGURE 16.030/2988437000
5	NS	1	CENTRAL ELECTRONIC INSTALL.MATERIAL SEE FIGURE 32.150/2988247000
6	NS	1	MOTOR INSTALL.MATERIAL SEE FIGURE 13.010/2988495000
8	NS	1	PANELING COMPLETE SEE FIGURE 36.005/2991236000
9	NS	1	CAB MODULE INSTALL.MATERIAL SEE FIGURE 34.010/2991661000
13	NS	1	FRAME UPPER CARRIAGE WITH MOUNT. PARTS SEE FIGURE 01.300/2988537000
14	NS	1	FUEL TANK INSTALL.MATERIAL SEE FIGURE 10.200/2988498000
15	NS	1	HYDRAULIC SYSTEM UPPER CARRIAGE SEE FIGURE 20.030/2988584000
18	NS	1	DECAL KIT SEE FIGURE 91.010/2988815000
19	NS	1	TOOL SET SEE FIGURE 92.010/007
20	NS	1	ELECTRICAL SYSTEM BASIC MACHINE COMPLETE SEE FIGURE 32.010/007
990	3031884	AR	UPPER CARRIAGE



WX145 WHEELED EXCAVATOR (5/04-)

00.300(2991662000) UPPER CARRIAGE EXCAVATOR`

Ref	Part Number	Qty	Description
2	NS	1	SWIVEL CONNECTION UPPER CARRIAGE SEE FIGURE 11.012/2946592002
4	NS	1	SLEWING GEAR INSTALL.MATERIAL SEE FIGURE 16.030/2988437000
5	NS	1	CENTRAL ELECTRONIC INSTALL.MATERIAL SEE FIGURE 32.150/2988247000
6	NS	1	MOTOR INSTALL.MATERIAL SEE FIGURE 13.010/2991659000
8	NS	1	PANELING COMPLETE SEE FIGURE 36.005/009
9	NS	1	CAB MODULE INSTALL.MATERIAL SEE FIGURE 34.010/009
13	NS	1	FRAME UPPER CARRIAGE WITH MOUNT. PARTS SEE FIGURE 01.300/2988537000
14	NS	1	FUEL TANK INSTALL.MATERIAL SEE FIGURE 10.200/2988498000
15	NS	1	HYDRAULIC SYSTEM UPPER CARRIAGE SEE FIGURE 20.030/2988584000
18	NS	1	DECAL KIT SEE FIGURE 91.010/2988815000
19	NS	1	TOOL SET SEE FIGURE 92.010/007
20	NS	1	ELECTRICAL SYSTEM BASIC MACHINE COMPLETE SEE FIGURE 32.010/007
990	3031894	AR	UPPER CARRIAGE

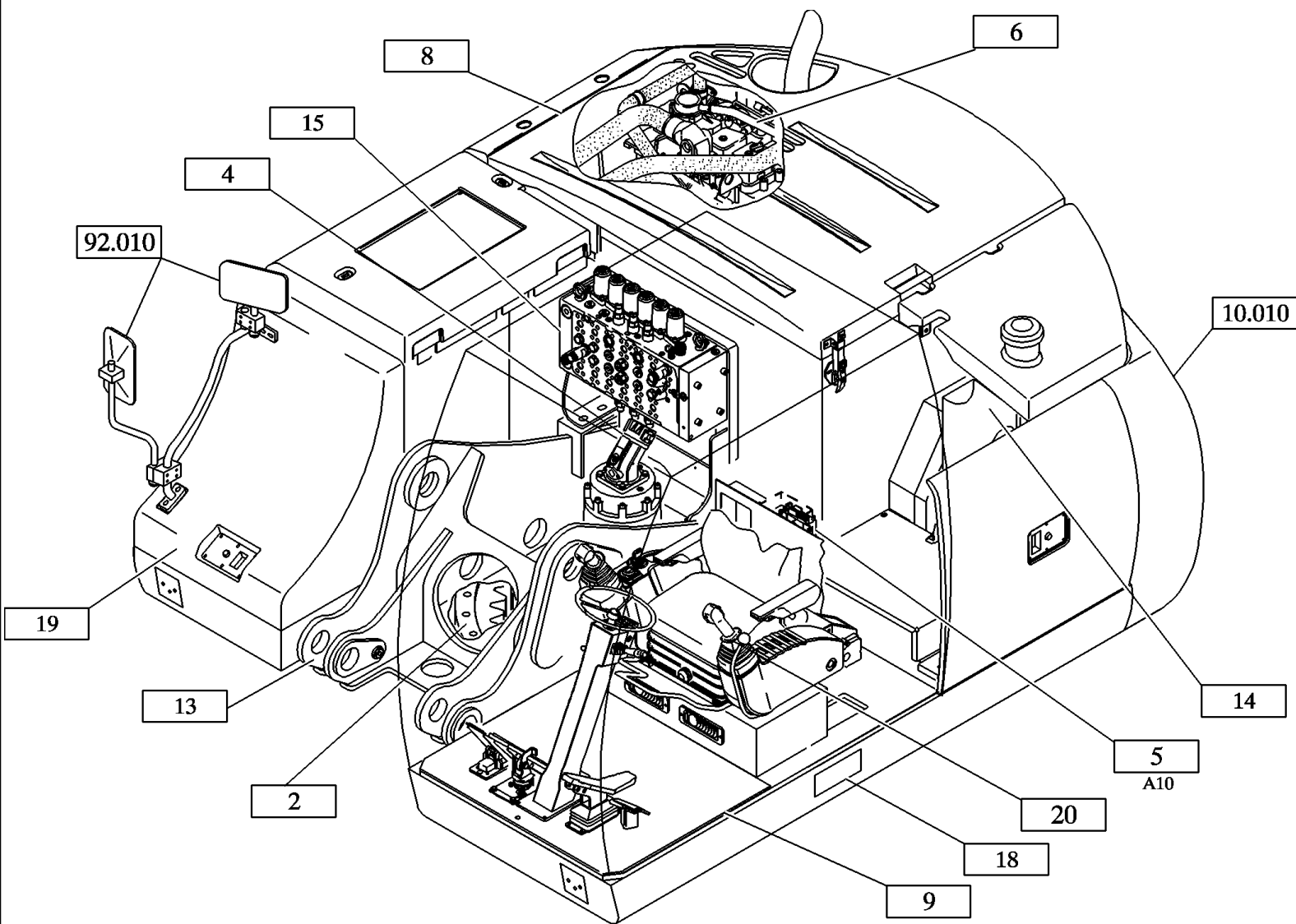


WX145 WHEELED EXCAVATOR (5/04-)

00.300(655180000) UPPER CARRIAGE EXCAVATOR`

Ref	Part Number	Qty	Description
2	NS	1	SWIVEL CONNECTION UPPER CARRIAGE SEE FIGURE 11.012/2946592002
4	NS	1	SLEWING GEAR INSTALL.MATERIAL SEE FIGURE 16.030/2988437000
5	NS	1	CENTRAL ELECTRONIC INSTALL.MATERIAL SEE FIGURE 32.150/2991639000
6	NS	1	MOTOR INSTALL.MATERIAL SEE FIGURE 13.010/6553114000
8	NS	1	PANELING COMPLETE SEE FIGURE 36.005/2991236000
9	NS	1	CAB MODULE INSTALL.MATERIAL SEE FIGURE 34.010/2991661
13	NS	1	FRAME UPPER CARRIAGE WITH MOUNT. PARTS SEE FIGURE 01.300/2988537000
14	NS	1	FUEL TANK INSTALL.MATERIAL SEE FIGURE 10.200/2988498000
15	NS	1	HYDRAULIC SYSTEM UPPER CARRIAGE SEE FIGURE 20.030/2988584000
18	NS	1	DECAL KIT SEE FIGURE 91.010/2988613000
19	NS	1	TOOL SET SEE FIGURE 92.010/2985544000
20	NS	1	ELECTRICAL SYSTEM BASIC MACHINE COMPLETE SEE FIGURE 32.010/2987424000

15078 00 00

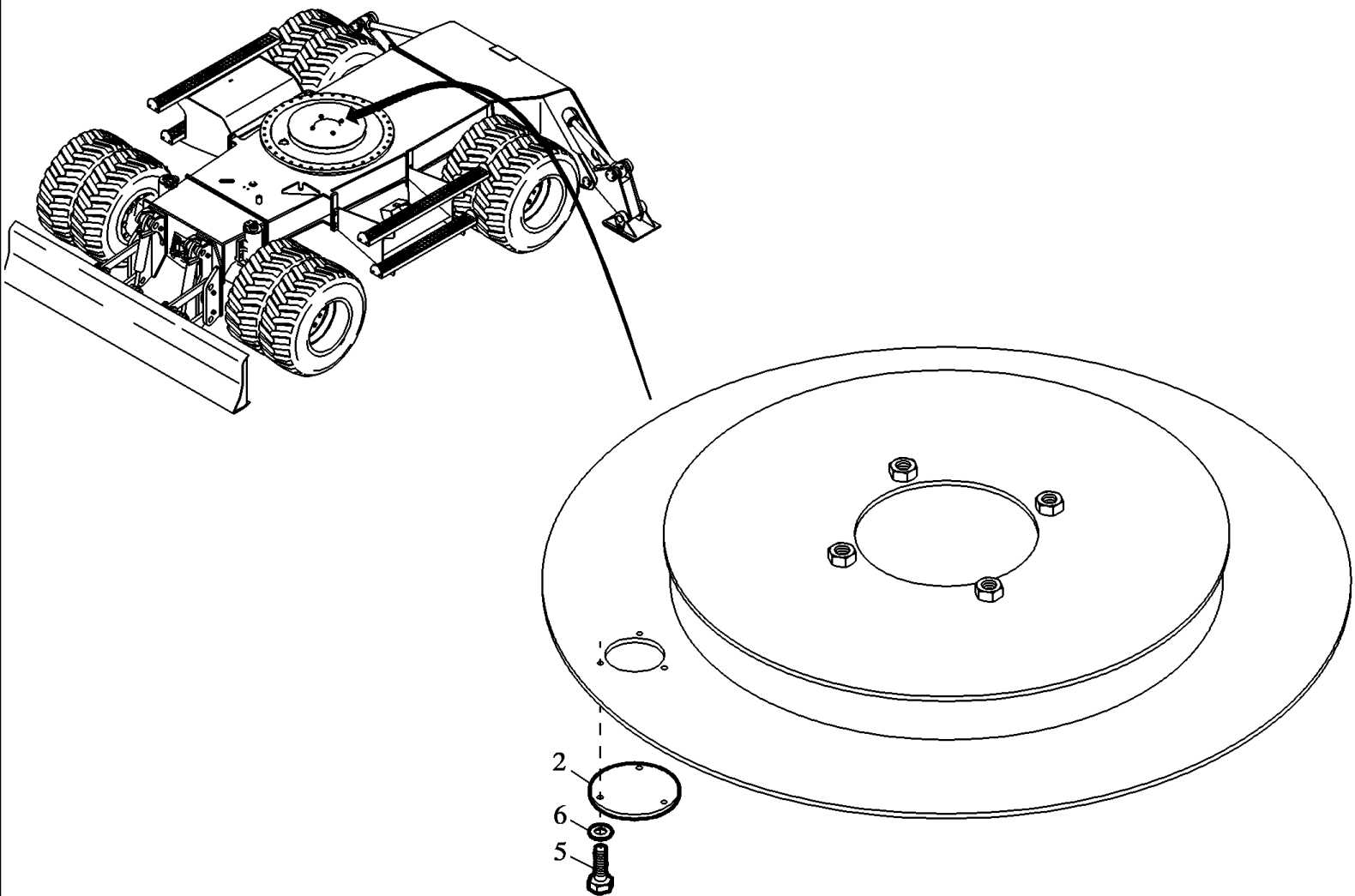


WX145 WHEELED EXCAVATOR (5/04-)

00.300(6553113000) UPPER CARRIAGE EXCAVATOR`

Ref	Part Number	Qty	Description
2	NS	1	SWIVEL CONNECTION UPPER CARRIAGE SEE FIGURE 11.012/2946592002
4	NS	1	SLEWING GEAR INSTALL.MATERIAL SEE FIGURE 16.030/2988437000
5	NS	1	CENTRAL ELECTRONIC INSTALL.MATERIAL SEE FIGURE 32.150/2991639000
6	NS	1	MOTOR INSTALL.MATERIAL SEE FIGURE 13.010/6553114000
8	NS	1	PANELING COMPLETE SEE FIGURE 36.005/2991236000
9	NS	1	CAB MODULE INSTALL.MATERIAL SEE FIGURE 34.010/2991661
13	NS	1	FRAME UPPER CARRIAGE WITH MOUNT. PARTS SEE FIGURE 01.300/2988537000
14	NS	1	FUEL TANK INSTALL.MATERIAL SEE FIGURE 10.200/2988498000
15	NS	1	HYDRAULIC SYSTEM UPPER CARRIAGE SEE FIGURE 20.030/2988584000
18	NS	1	DECAL KIT SEE FIGURE 91.010/2988613000
19	NS	1	TOOL SET SEE FIGURE 92.010/2985544000
20	NS	1	ELECTRICAL SYSTEM BASIC MACHINE COMPLETE SEE FIGURE 32.010/2987424000

13573 00 00

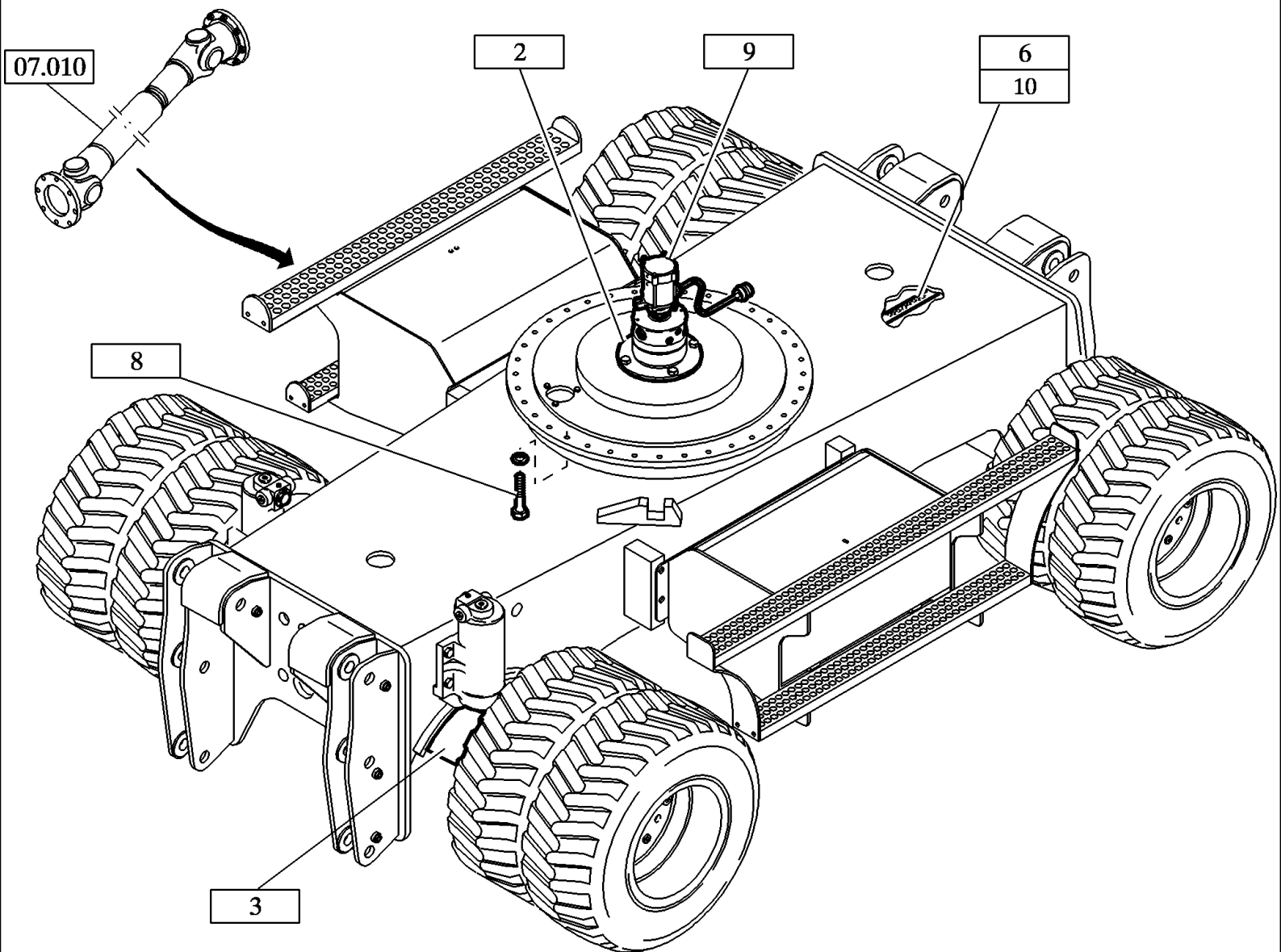


WX145 WHEELED EXCAVATOR (5/04-)

01.200(2945866000) FRAME LOWER CARRIAGE WITH MOUNT. PARTS

Ref	Part Number	Qty	Description
2	3030213	1	LID
5	421109A1	3	HEXAGON BOLT
6	2979225	3	DISK/WASHER
990	3030208	AR	BRACKET

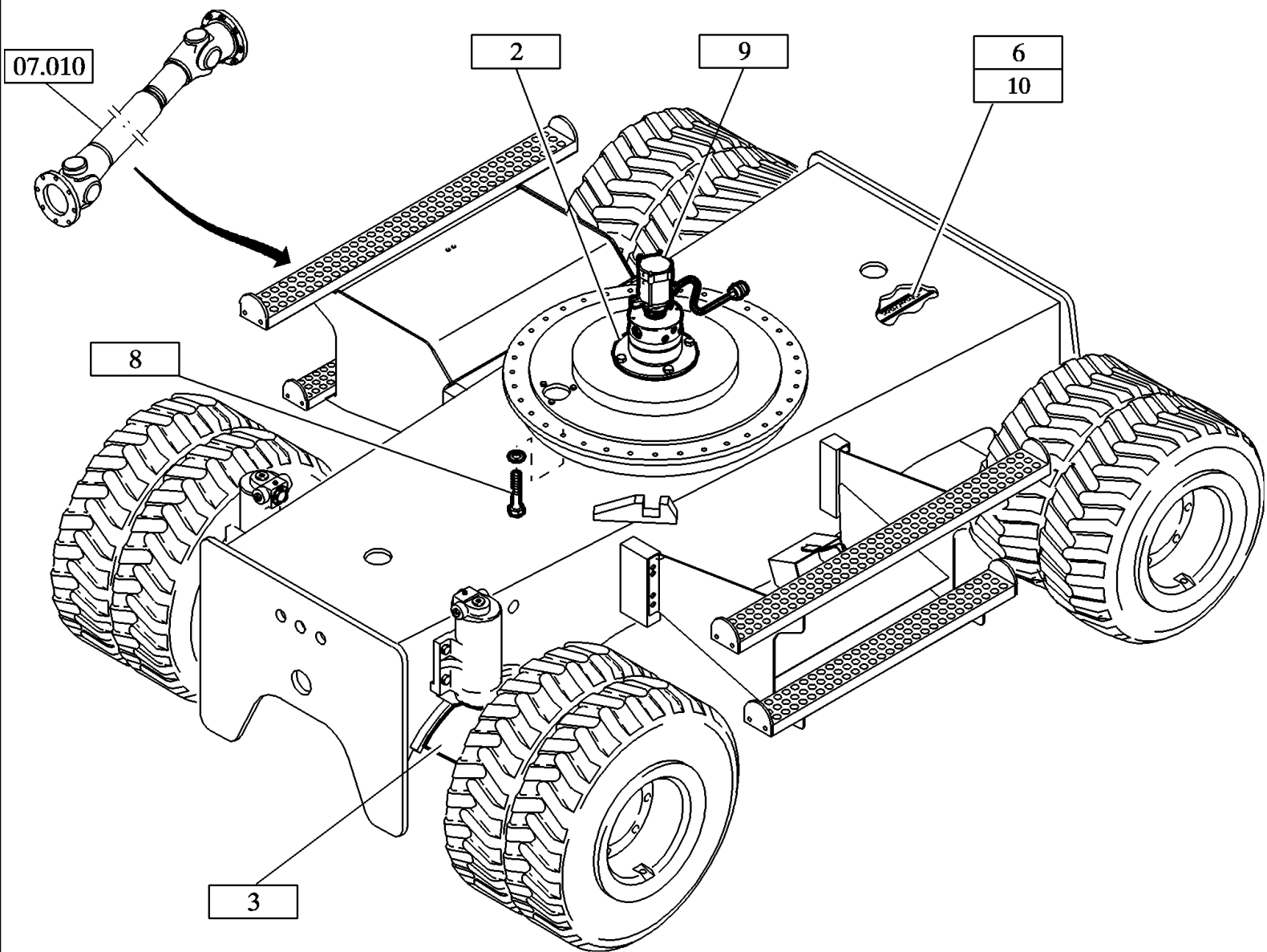
2992642



WX145 WHEELED EXCAVATOR (5/04-)

01.200(2988268000) FRAME LOWER CARRIAGE WITH MOUNT. PARTS

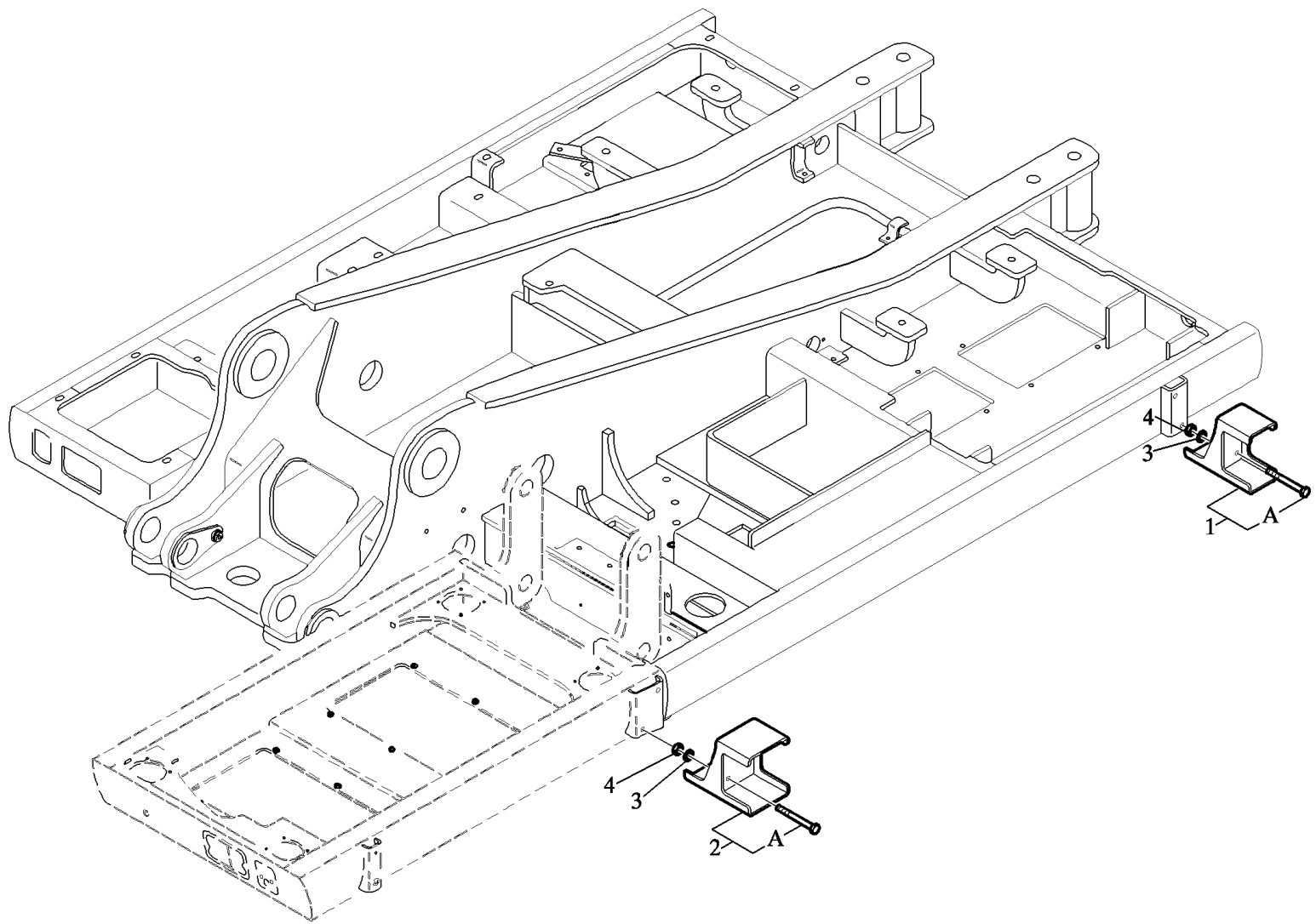
Ref	Part Number	Qty	Description
2	NS	1	ROTOR INSTALL.MATERIAL SEE FIGURE 22.500/2986576000
3	NS	1	STEERING AXLE INSTALL.MATERIAL SEE FIGURE 02.010/2988266000
6	NS	1	HYDRAULIC SYSTEM LOWER CARRIAGE SEE FIGURE 20.020/2986456001
8	NS	1	SWIVEL CONNECTION INSTALL.MATERIAL LOWER CARRIAGE SEE FIGURE 11.010/2984469000
9	NS	1	SLIPRING UNIT INSTALL.MATERIAL SEE FIGURE 33.010/2985299000
10	NS	1	CABLE HARNESS LOWER CARRIAGE SERIE SEE FIGURE 32.123/2985012001
990	8919652		AR BASIC MACHINE



WX145 WHEELED EXCAVATOR (5/04-)

01.200(2991291000) FRAME LOWER CARRIAGE WITH MOUNT. PARTS

Ref	Part Number	Qty	Description
2	NS	1	ROTOR INSTALL.MATERIAL SEE FIGURE 22.500/2984459000
3	NS	1	STEERING AXLE INSTALL.MATERIAL SEE FIGURE 02.010/2991288001
6	NS	1	HYDRAULIC SYSTEM LOWER CARRIAGE SEE FIGURE 20.020/2991289000
8	NS	1	SWIVEL CONNECTION INSTALL.MATERIAL LOWER CARRIAGE SEE FIGURE 11.010/2984469000
9	NS	1	SLIPRING UNIT INSTALL.MATERIAL SEE FIGURE 33.010/2985299000
10	NS	1	CABLE HARNESS LOWER CARRIAGE SERIE SEE FIGURE 32.123/2985012001
990	8922559		AR BASIC MACHINE



WX145 WHEELED EXCAVATOR (5/04-)

01.300(01) FRAME UPPER CARRIAGE WITH MOUNT. PARTS OPERATORS CAB

Ref	Part Number	Qty	Description
1	6551919	2	
1A	925495	4	
2	6551913	2	
2A	924595	4	
3	57111	8	
4	57126	8	
900	6552003	AR	
990	6552002	AR	

2992642



Suggest:

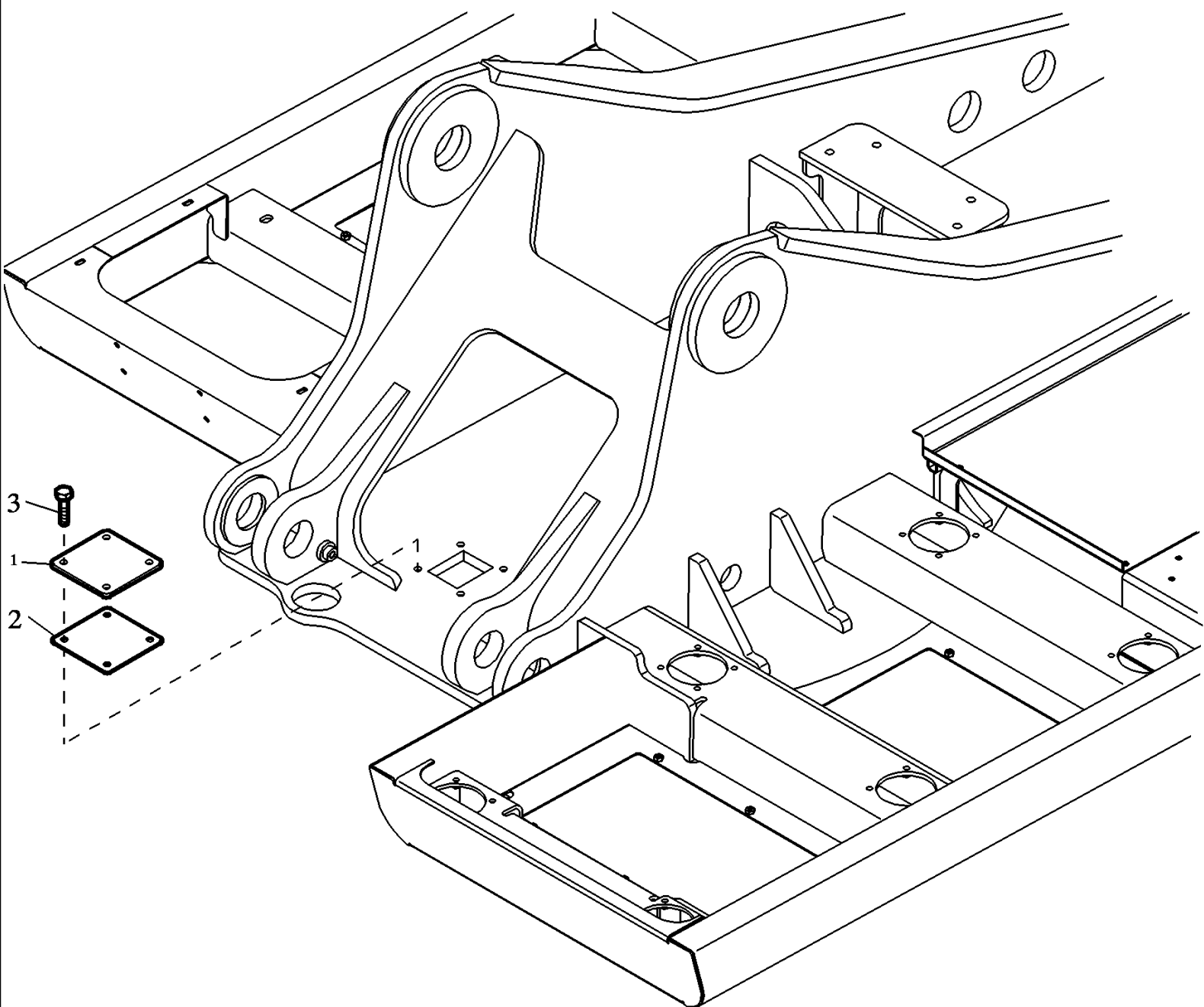
If the above button click is invalid.

Please download this document

first, and then click the above link

to download the complete manual.

Thank you so much for reading



<https://www.ebooklibonline.com>

Hello dear friend!

Thank you very much for reading.

Enter the link into your browser.

The full manual is available for immediate download.

<https://www.ebooklibonline.com>