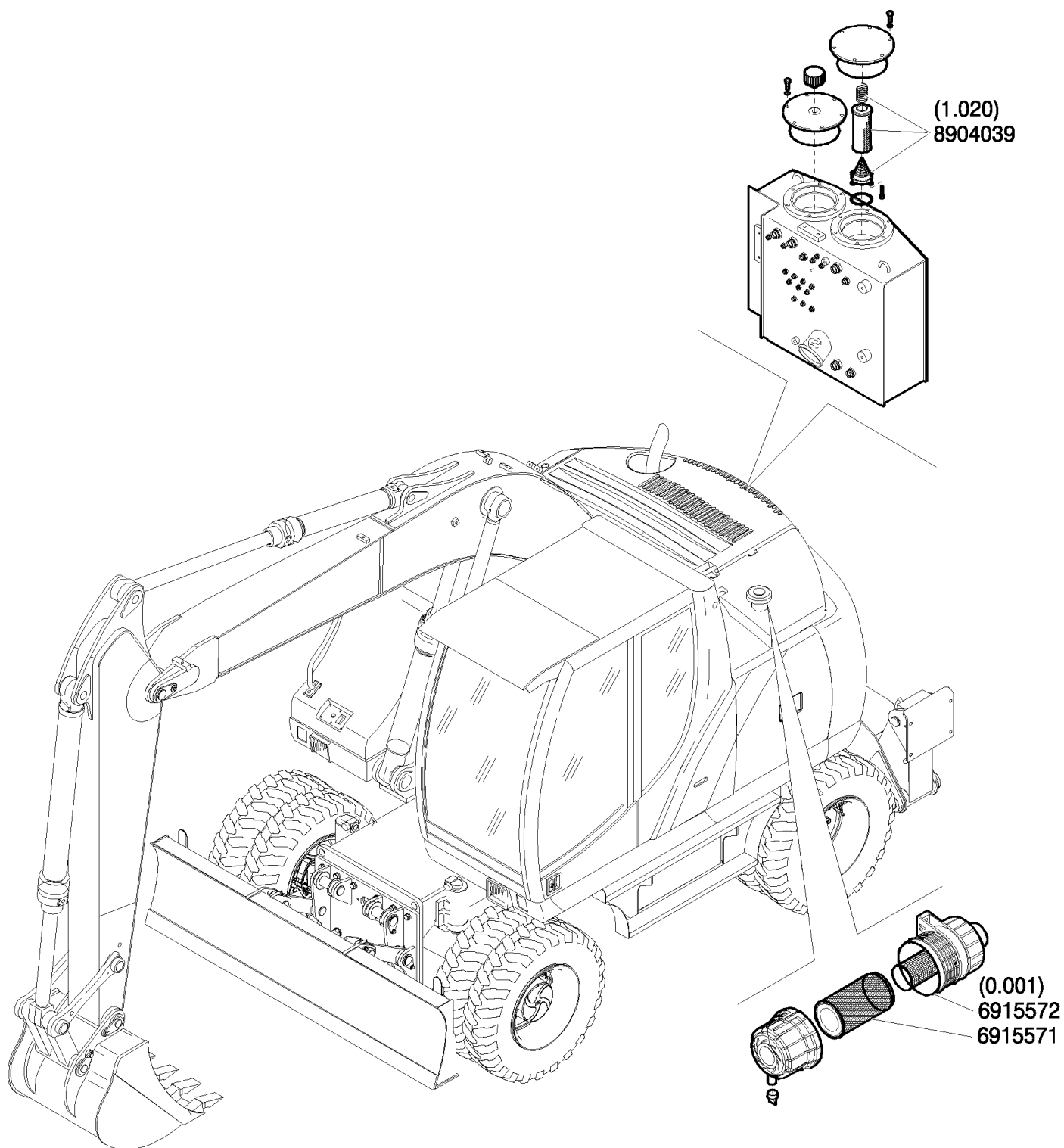




# PARTS CATALOGUE

WHEELED EXCAVATOR  
WX145  
TIER 3



WX145 TIER 3 WHEELED EXCAVATOR (6/07- )

0 - FILTERS(00) MAINTENANCE PARTS

Ref	Part Number	Qty	Description

**Hello**

**Thank you very much for your download.**

**In the last page of this PDF document.**

**There is a link.**

**Please click on that link and return to our website.**

**Then you can get the complete manual immediately.**

**No need to wait.**

**Thanks for continuing to read the documentation.**

**Best wishes.**

**<https://www.ebooklibonline.com>**

Hello dear friend!

Thank you very much for reading.

Enter the link into your browser.

The full manual is available for immediate download.

**<https://www.ebooklibonline.com>**

MODELS MODELLI MODELES MODELLE MODELLOS MODELLOS MODELLEN MODELLER	ENGINEERING CODE DENOMINAZIONE TECNICA DESIGNATION TECHNIQUE TECHNISCHE BEZEICHNUNG SIGNACION TÉCNICA DENOMINAÇÃO TÉCNICA TECNISCHE BENAMING TEKNISCH BENÆVNELSE	ENGINE MODEL MODELLO DEL MOTORE MODELE DU MOTEUR MOTORBAUMUSTER MODELO DEL MOTOR MODELO DO MOTOR MODEL VAN MOTOR MOTOR-MODEL	VERSION CODE CODICE VERSIONE CODE VERSION CODE VERSION CÓDIGO VERSION CÓDIGO VERSÃO CODE VERSIE VERSIONS-KODE
<b>WX 145 WM</b>	<b>540380460</b>	<b>CNH</b>	<b>01</b>
<b>WX 145 WT</b>	<b>540381460</b>	<b>F4GE9484E* J600</b>	<b>02</b>

MODELS  
MODELLI  
MODELES  
MODELLE  
MODELLOS  
MODELLOS  
MODELLEN  
MODELLER

MACHINE SERIAL NUMBER – NUMERO DI MATRICOLA DELLA MACCHINA  
 NUMERO DE SERIE DE LA MACHINE – SERIENNUMMER DER MASCHINE  
 NUMERO DE SERIE DE LA MAQUINA – MATRÍCULA DA MÁQUINA  
 SERIENNUMMER VAN DE MACHINE – MASKINENS MATRIKEL

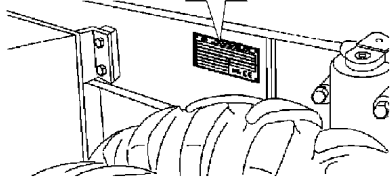
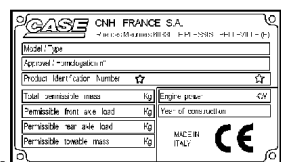
<b>WX 145 WM</b>	<b>NSU0WX145</b>	<b>N7LB00000</b> ← <b>[*]</b>
<b>WX 145 WT</b>	<b>NSU0WX145</b>	<b>N7LB00000</b> ← <b>[*]</b>

- (\*) Machine identification code, useful in case of Dealer assistance.
- (\*) Codice identificativo specifico della macchina, da riportare nelle comunicazioni con la Rete Assistenziale.
- (\*) Code d'identification spécifique du véhicule, à reporter dans les communications avec le Réseau d'Assistance.
- (\*) Spezifischer Kenn-Code der Maschine, der in den Mitteilungen an das Kundendienstnetz anzugeben ist.
- (\*) Código de identificación específico de la máquina, a incluir en las comunicaciones con la Red Asistencial.
- (\*) Código identificativo específico da máquina, que deve ser indicado nas comunicações com a Rede de Assistência.
- (\*) Specifieke identificatiecode van de machine, te vermelden bij communicatie met het Servicenetwerk.
- (\*) Specifik identifikations-kode for maskinen som skal anføres i kommunikationerne med Service-nettet.

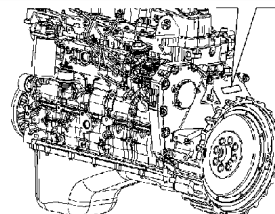
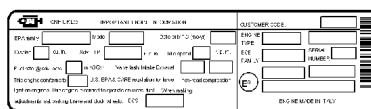
RECORD YOUR SERIAL NUMBERS BELOW – REGISTRATE I VOSTRI NUMERI DI MATRICOLA QUI SOTTO  
 ENREGISTREZ VOS NUMEROS DE SERIE CI-DESSOUS – UNTEN SERIENNUMMER VIERMERKEN  
 ANOTE AQUI LOS NUMEROS DE SERIE – REGISTRAR OS NÚMEROS DE MATRÍCULA ABAIXO  
 NOTEER HIERONDER DE SERIENNUMMERS – REGISTRER DERES MATRIKEL-NUMRE FOR NEDEN

MACHINE SERIAL NUMBER - NUMERO DI MATRICOLA DELLA MACCHINA  
 NUMERO DE SERIE DE LA MACHINE - SERIENNUMMER DER MASCHINE  
 NUMERO DE SERIE DE LA MAQUINA - MATRÍCULA DA MÁQUINA  
 SERIENNUMMER VAN DE MACHINE - MASKINENS MATRIKEL

ENGINE SERIAL NUMBER - MATRICOLA DEL MOTORE  
 NUMERO DE SERIE DU MOTEUR - SERIENNUMMER DES MOTORS  
 NUMERO DE SERIE DEL MOTOR - MATRÍCULA DO MOTOR  
 SERIENNUMMER VAN DE MOTOR - MOTORENS MATRIKEL



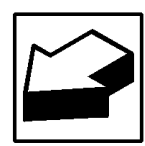
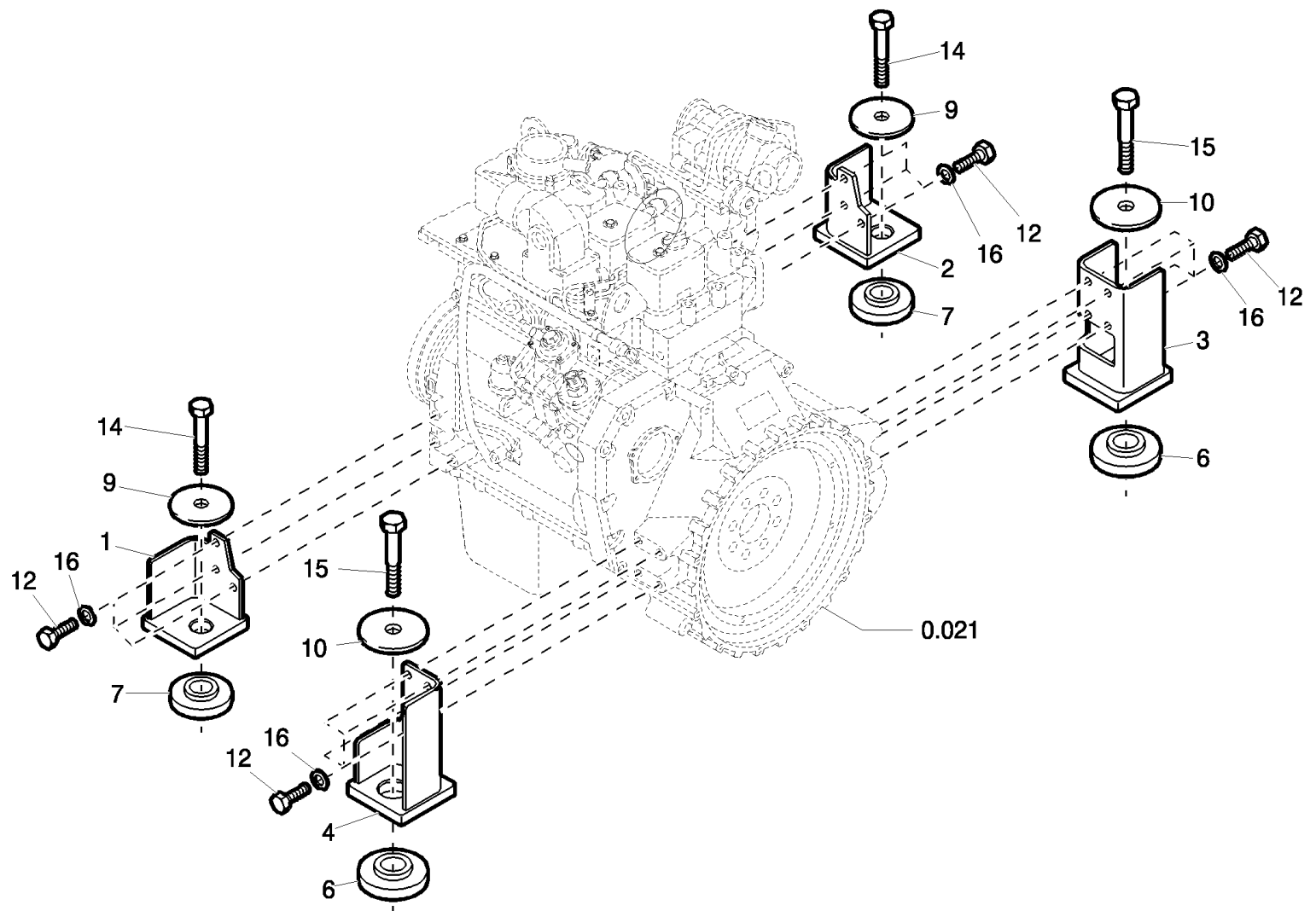
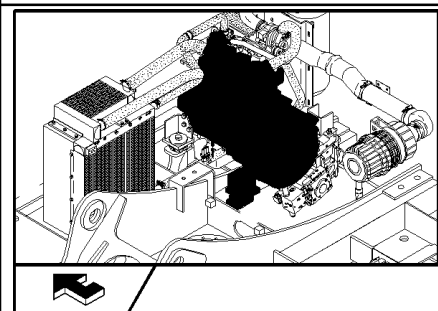
MACHINE SERIAL NUMBER LOCATION  
 POSIZIONE DEL NUMERO DI MATRICOLA DELLA MACCHINA  
 EMBLACEMENT DU NUMERO DE SERIE DE LA MACHINE  
 ORT DER SERIENNUMMER DER MASCHINE  
 UBICACION DEL NUMERO DE SERIE DE LA MAQUINA  
 POSIÇÃO DO NUMERO DE MATRÍCULA DA MÁQUINA  
 POSITIE VAN SERIENNUMMER VAN DE MACHINE  
 POSITION PÅ MASKINENS MATRIKEL-NUMMER



ENGINE SERIAL NUMBER LOCATION  
 POSIZIONE DEL NUMERO DI MATRICOLA DEL MOTORE  
 EMBLACEMENT DU NUMERO DE SERIE DU MOTEUR  
 ORT DER SERIENNUMMER DES MOTORS  
 UBICACION DEL NUMERO DE SERIE DEL MOTOR  
 POSIÇÃO DO NUMERO DE MATRÍCULA DO MOTOR  
 POSITIE VAN SERIENNUMMER VAN DE MOTOR  
 POSITION PÅ MOTORENS MATRIKEL-NUMMER

Ref	Part Number	Qty	Description

0.000(01) ENGINE SUSPENSIONS

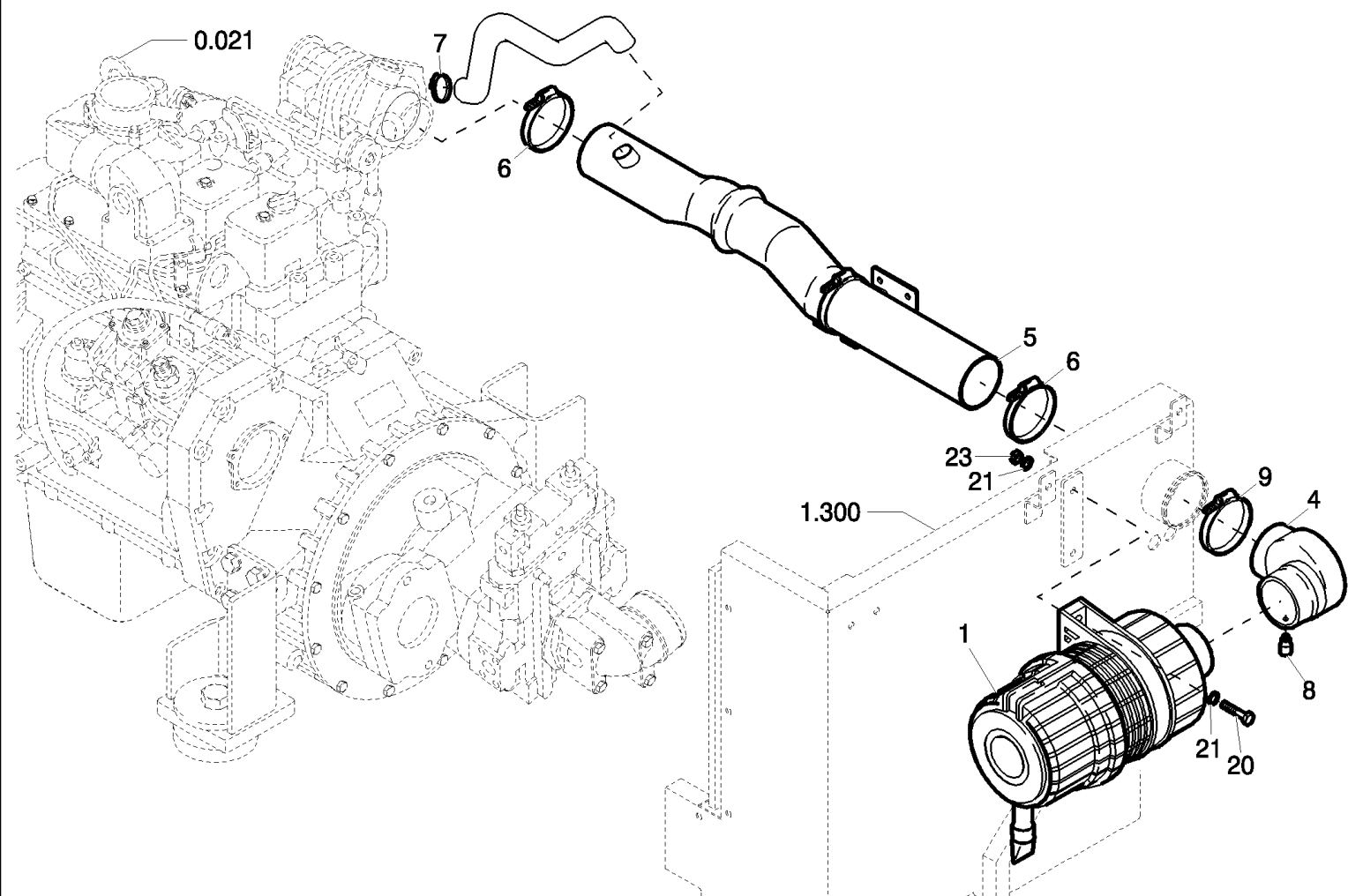
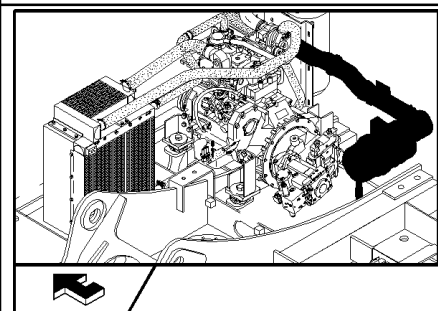


## WX145 TIER 3 WHEELED EXCAVATOR (6/07-)

## 0.000(01) ENGINE SUSPENSIONS

Ref	Part Number	Qty	Description
1	6553153	1	
2	8900457	1	
3	8913981	1	
4	8913915	1	
6	6100010	2	
7	2928828	2	
9	3000965	2	
10	3008459	2	
12	518152	14	
14	251836	2	
15	2976925	2	
16	8408970	14	

0.001(01) AIR CLEANER

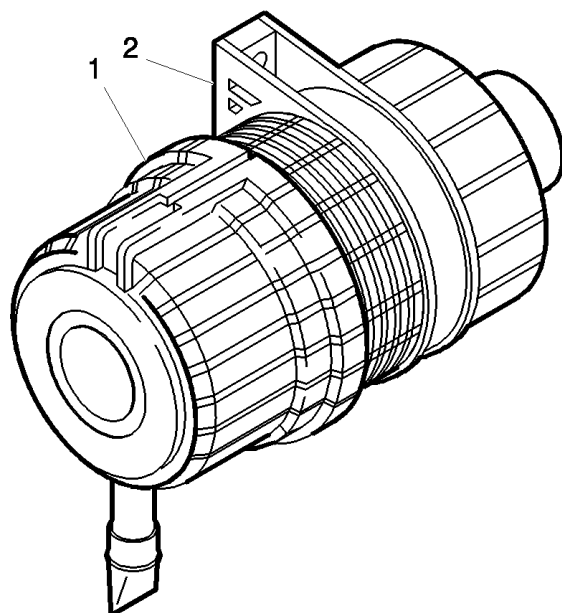
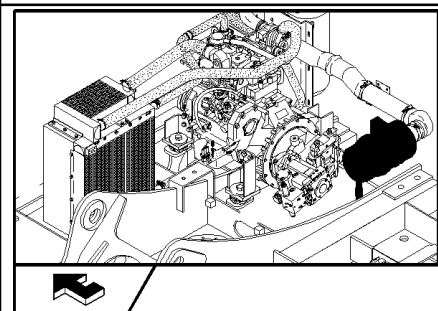


## WX145 TIER 3 WHEELED EXCAVATOR (6/07- )

## 0.001(01) AIR CLEANER

Ref	Part Number	Qty	Description
1	8917966		FILTER, AIR, - ASSY SEE PAGE 2
4	8913991		HOSE,
5	8913992		HOSE,
6	251532		LAMP,
7	725335		CLIP, HOSE,
8	8406392		INDICATOR,
9	725334		CLIP, HOSE,
20	120106		BOLT, Hex, M8 x 40, 8.8, Full Thd,
21	2975165		WASHER,
23	68841		NUT, LOCK, M8 x 1.25, CI 8,

0.001(02) AIR FILTER



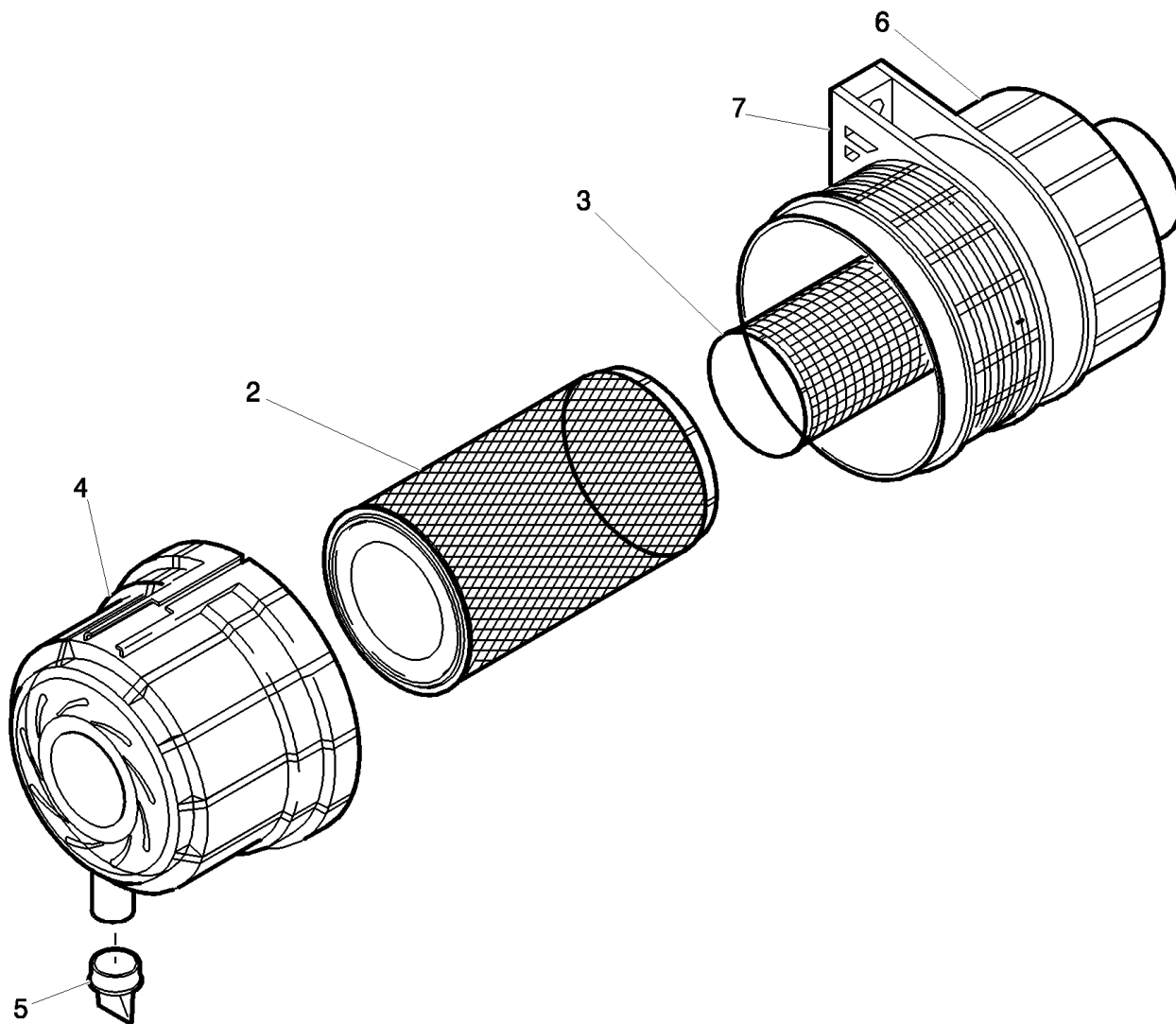
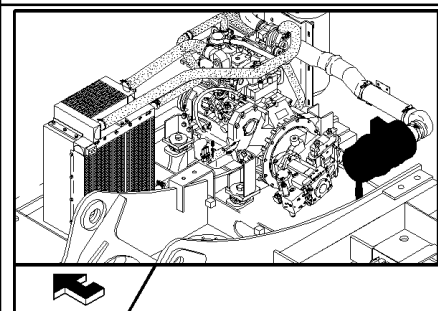
WX145 TIER 3 WHEELED EXCAVATOR (6/07- )

0.001(02) AIR FILTER

Ref	Part Number	Qty	Description
1	2929739	1	FILTER, AIR, - ASSY SEE PAGE 3
2	2929738	1	CLIP,

FILTER AIR ASSY P/N 8917966

0.001(03) AIR FILTER - COMPONENTS



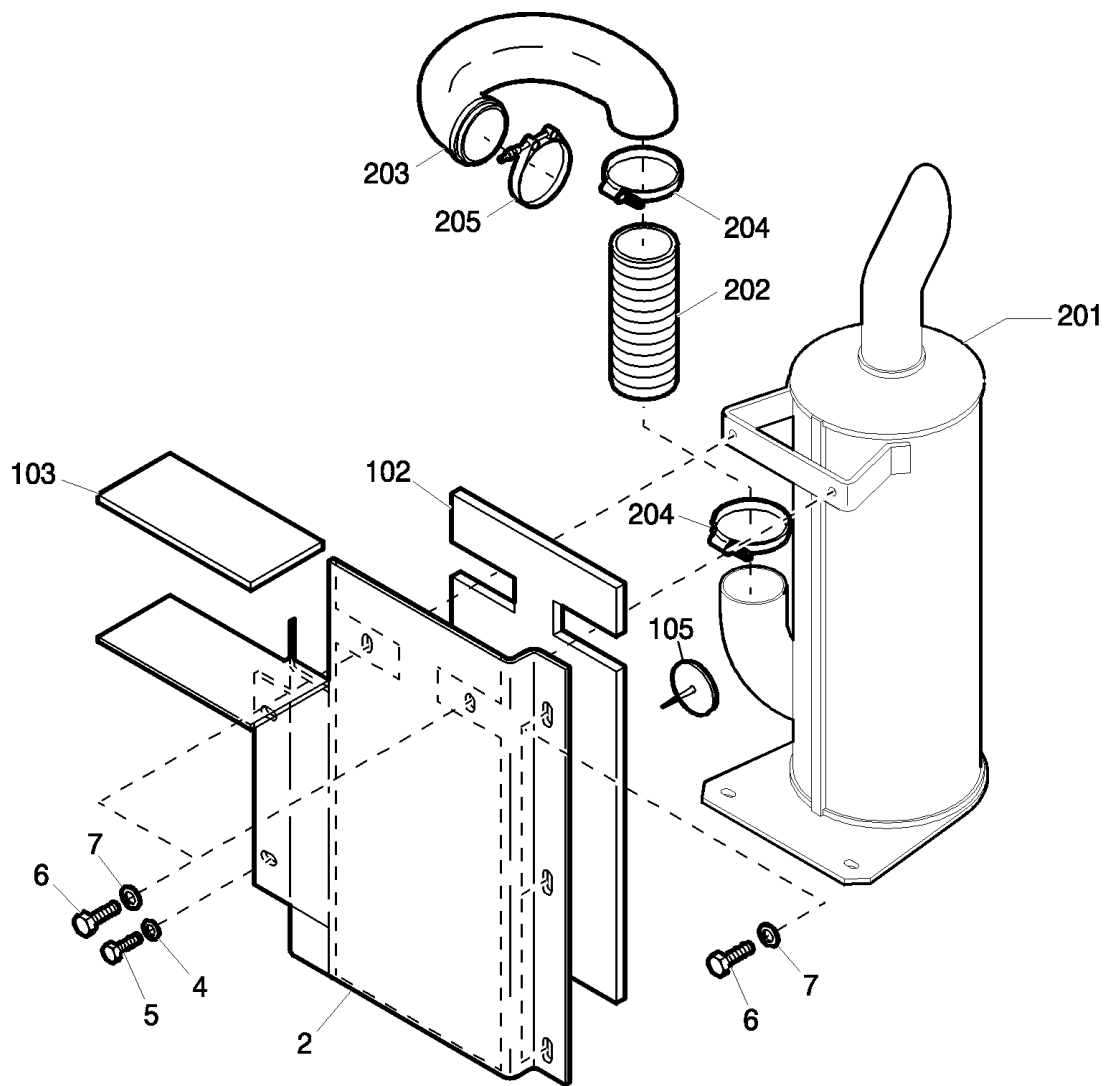
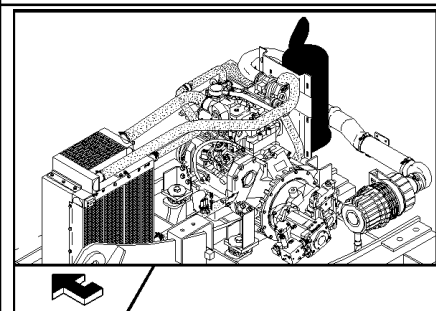
WX145 TIER 3 WHEELED EXCAVATOR (6/07- )

0.001(03) AIR FILTER - COMPONENTS

Ref	Part Number	Qty	Description
2	6915571	1	
3	6915572	1	
4	6915573	1	
5	1487631	1	
6	1488524	1	
7	2479831	1	

FILTER AIR ASSY P/N 2929739

0.002(01) MUFFLER



## WX145 TIER 3 WHEELED EXCAVATOR (6/07- )

## 0.002(01) MUFFLER

Ref	Part Number	Qty	Description
1	8917541	1	MUFFLER, , Includes 201 to 205
2	8914141	1	PROTECTION, , Includes 102 to 105
4	2975160	6	WASHER, LOCK,
5	2975077	6	BOLT, Hex, M10 x 25, 8.8, Full Thd,
6	57013	3	BOLT, Hex, M8 x 20, 8.8,
7	57111	3	WASHER,
102	8914142	1	INSULATION, FOAM,
103	8912086	1	INSULATION, FOAM,
105	925539	4	CLIP,
201	6553097	1	MUFFLER,
202	6553098	1	PIPE, EXHAUST SYSTEM,
203	6553094	1	PIPE, EXHAUST SYSTEM,
204	6553096	2	CLIP,
205	2929090	1	CLIP,

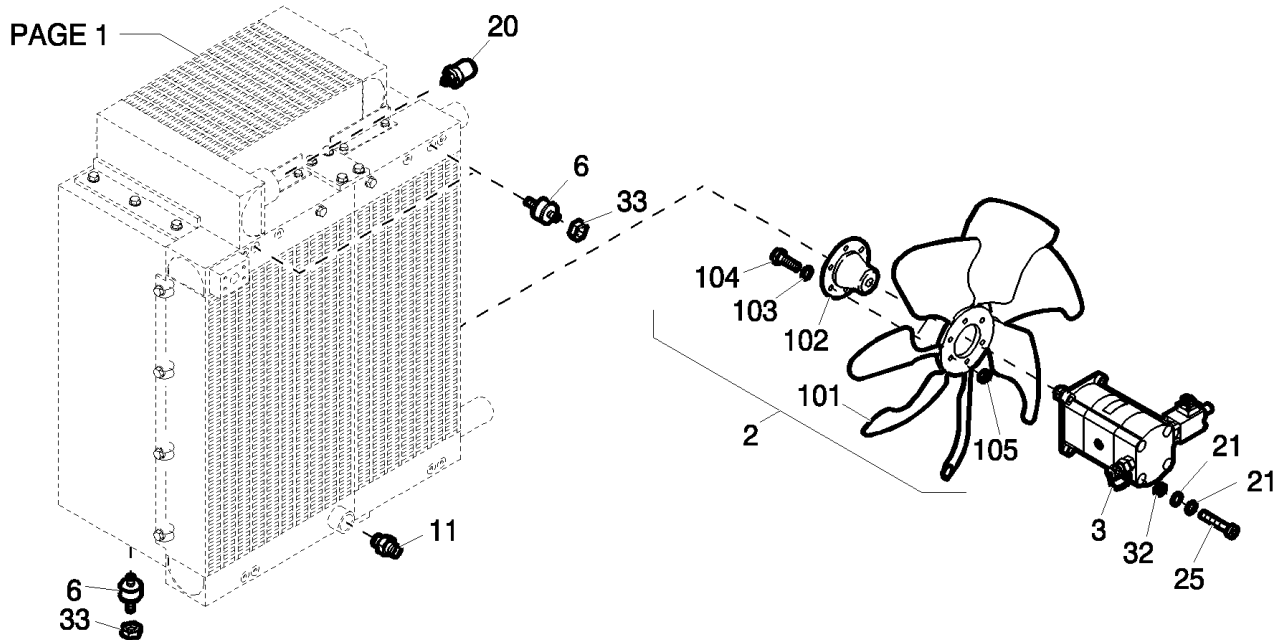
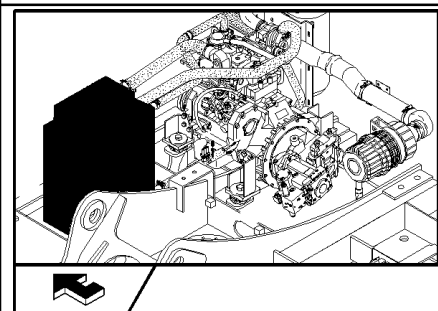


## WX145 TIER 3 WHEELED EXCAVATOR (6/07-)

## 0.003(01) RADIATOR

Ref	Part Number	Qty	Description
1	87593096	1	COOLER ASSY., - ASSY SEE PAGE 4
4	8917898	1	RESERVOIR, - ASSY SEE PAGE 3
5	2700430	1	SENDOR, TEMPERATURE,
8	8913971	1	HOSE,
9	6553139	1	TUBE, TYRE/TIRE,
7	6553141	1	HOSE,
10	8913974	1	HOSE,
11	2479363	2	CLIP,
12	2900074	2	CLIP,
13	2168072	1	CLIP, HOSE,
15	2900074	4	CLIP,
16	6555674	1	ANGLE BAR,
17	6555709	1	PLATE,
18	1665742	1	SOCKET,
19	925744	7	CLIP,
22	2115309	9	WASHER,
23	2975160	15	WASHER, LOCK,
24	4515668	2	WASHER,
26	56656	2	BOLT, Hex, M10 x 20, 8.8, Full Thd,
27	2975077	7	BOLT, Hex, M10 x 25, 8.8, Full Thd,
28	2981702	5	BOLT,
29	8403477	3	PIPE CLAMP,
30	2142046	2	
33	8475948	5	NUT, LOCK, M10 x 1.5, CI 8,
41	8912942	1	HOSE,
42	6555750	1	HOSE,
43	8912967	1	HOSE,
50	925895	3	CLIP,
51	725335	1	CLIP, HOSE,

0.003(02) RADIATOR

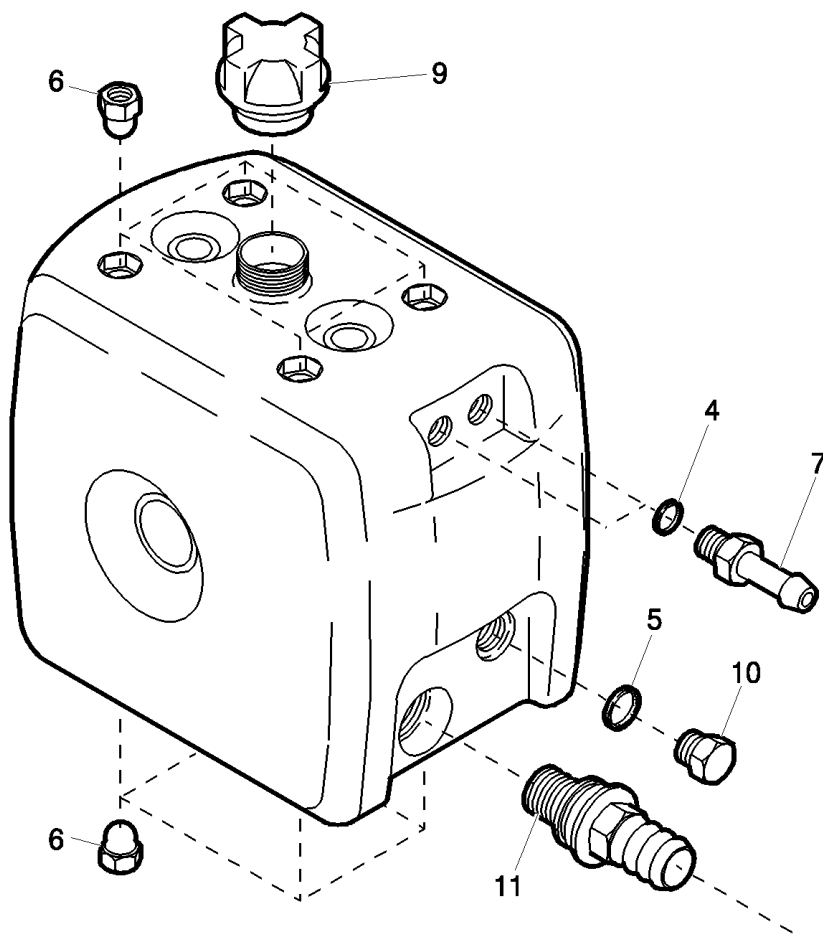
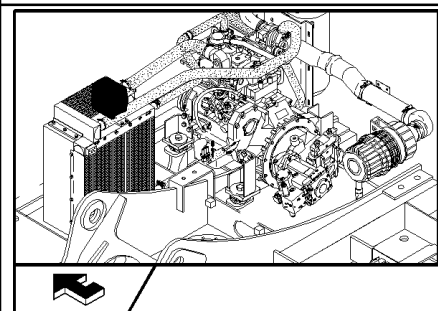


## WX145 TIER 3 WHEELED EXCAVATOR (6/07-)

## 0.003(02) RADIATOR

Ref	Part Number	Qty	Description
2	6555560	1	, Includes 101 to 105
3	6559105	1	MOTOR, HYDRAULIC,
6	2900898	5	BUMPER,
11	1331028	2	SOCKET,
20	590826	1	PLATE, THRUST,
21	2975165	8	WASHER,
25	56653	4	BOLT, Hex, M8 x 35, 8.8,
32	68841	4	NUT, LOCK, M8 x 1.25, Cl 8,
33	8475948	6	NUT, LOCK, M10 x 1.5, Cl 8,
101	6555559	1	FAN,
105	8475948	6	NUT, LOCK, M10 x 1.5, Cl 8,
102	8920543	1	HUB,
103	2981701	12	WASHER,
104	2981702	6	BOLT,

0.003(03) RADIATOR - CONTAINER



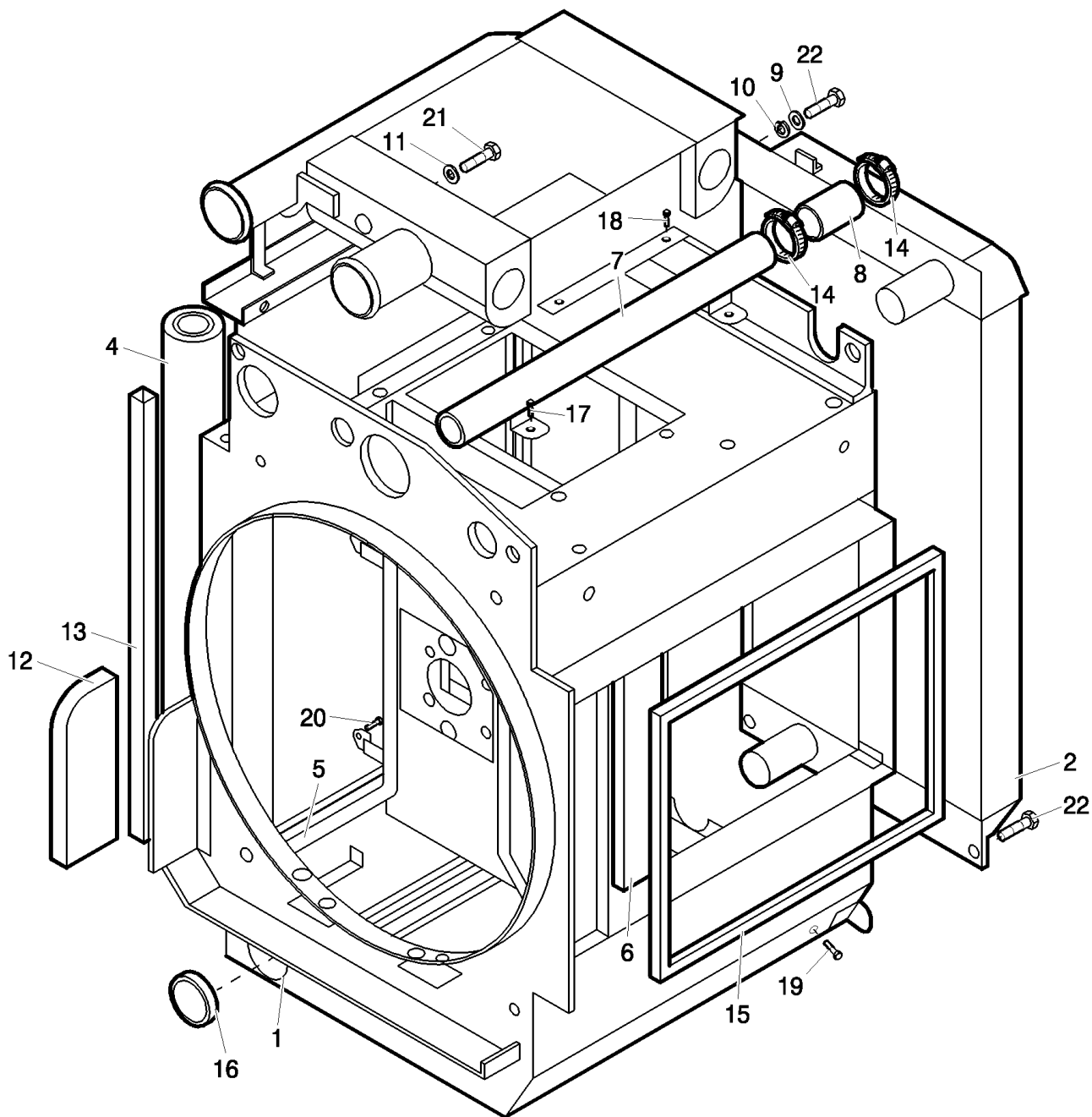
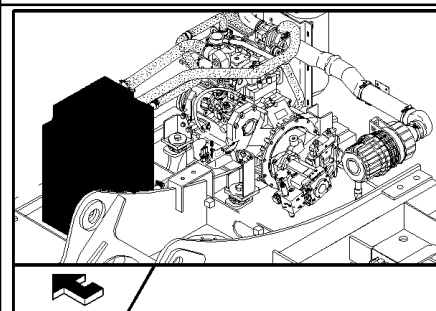
WX145 TIER 3 WHEELED EXCAVATOR (6/07- )

0.003(03) RADIATOR - CONTAINER

Ref	Part Number	Qty	Description
4	1499105	1	GASKET,
5	6900336	1	GASKET,
6	6900337	8	NUT,
7	1499108	2	NOZZLE,
9	1499109	1	STRAP,
10	750171	1	SCREW,
11	1499111	1	SOCKET,

CONTAINER ASSY P/N 8917898

0.003(04) RADIATOR - COMPONENTS



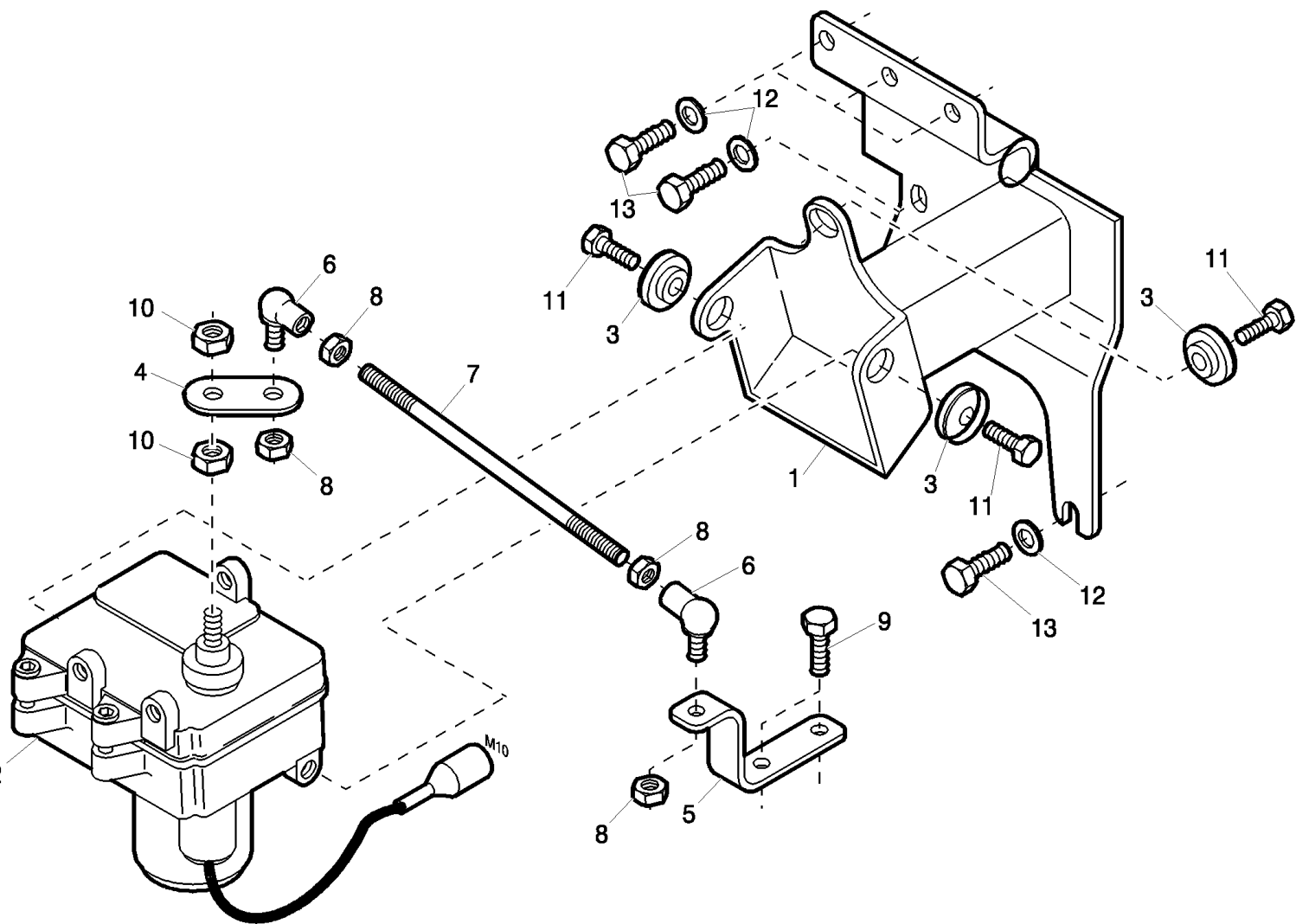
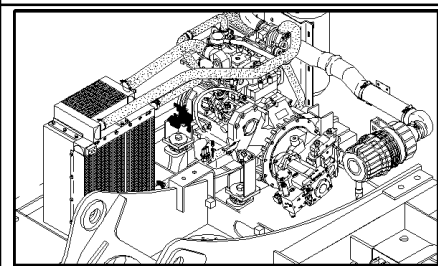
## WX145 TIER 3 WHEELED EXCAVATOR (6/07-)

## 0.003(04) RADIATOR - COMPONENTS

Ref	Part Number	Qty	Description
1	6555554	1	BOX,
2	6555550	1	COOLER ASSY.,
4	6555552	1	COOLER, OIL,
5	6555558	1	HOLDER,
6	6555556	1	GRILLE, RADIATOR,
7	6555562	1	PIPE,
8	6555557	1	HOSE,
9	6555561	2	COLLAR CLAMP,
10	6555563	2	WASHER,
11	6555564	2	SPACER,
12	6555565	1	SEAL,
13	6555566	1	SEAL,
14	6555559	2	FAN,
15	6555567	1	WEATHERSTRIP,
16	6555569	1	PROTECTION,
17	54379	10	BOLT, Hex, M6 x 16, 8.8,
18	54399	4	BOLT, Hex, M8 x 16, 8.8,
19	57013	8	BOLT, Hex, M8 x 20, 8.8,
20	56656	4	BOLT, Hex, M10 x 20, 8.8, Full Thd,
21	2981702	2	BOLT,
22	56662	4	BOLT, Hex, M10 x 35, 8.8, Full Thd,

COMBINED COOLER WATER/OIL ASSY P/N 87593096

0.004(01) ACCELERATOR CONTROLS

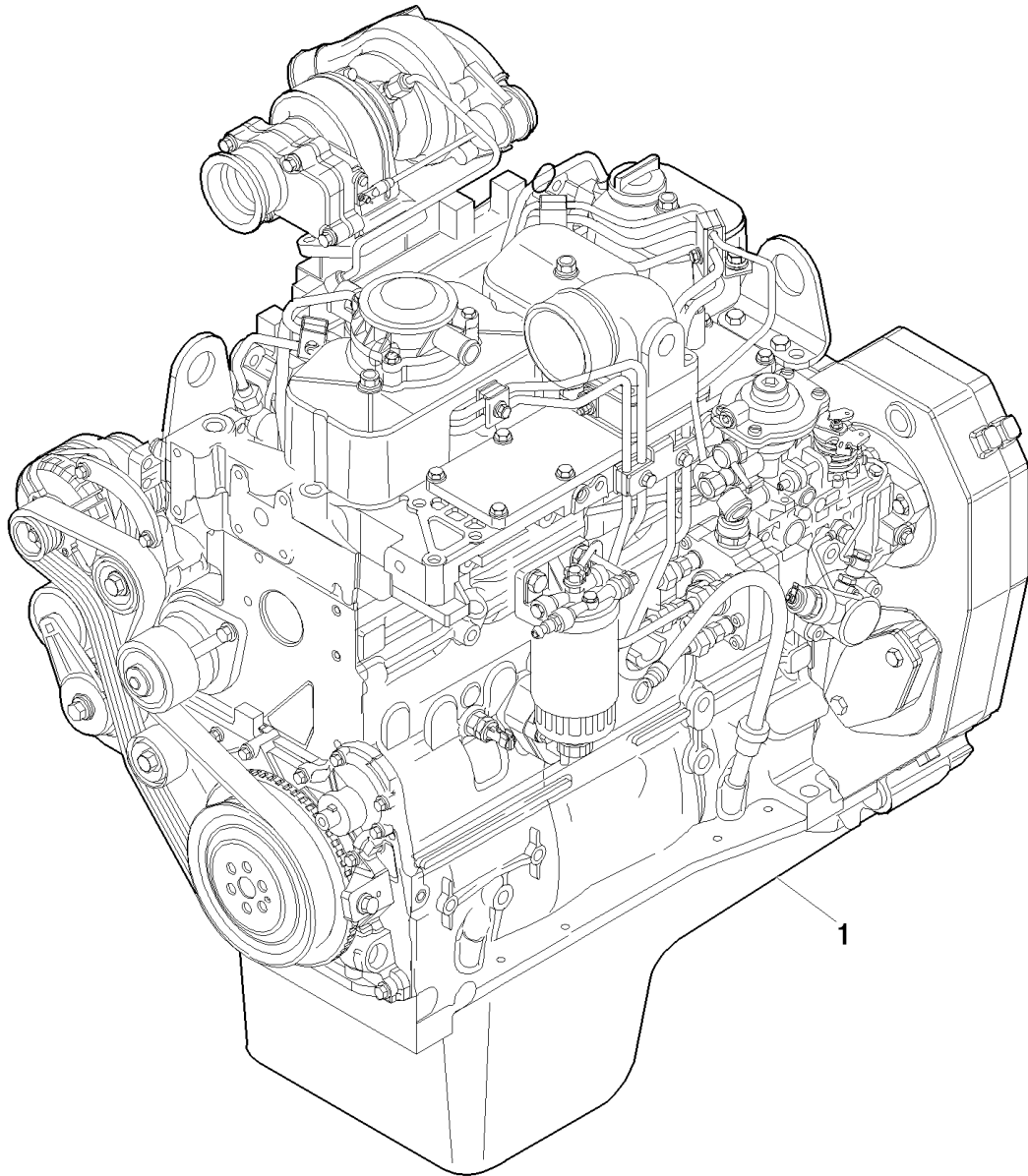
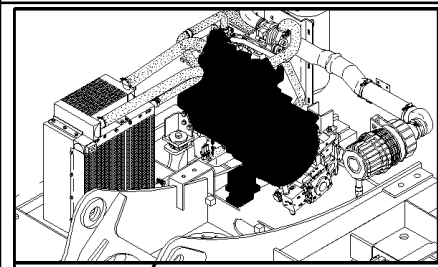


## WX145 TIER 3 WHEELED EXCAVATOR (6/07- )

## 0.004(01) ACCELERATOR CONTROLS

Ref	Part Number	Qty	Description
1	8915414	1	MOUNTING PARTS,
2	1485420	1	CONTROL,
3	8914321	3	DAMPER,
4	8914326	1	LEVER,
5	8914898	1	CLIP,
6	118541	2	JOINT, UNIVERSAL,
7	8915443	1	ROD,
8	353308	4	NUT, LOCK, M6 x 1, CI 8,
9	54383	2	BOLT, Hex, M6 x 20, 8.8,
10	945995	2	NUT, Thin, M8 x 1, CI 04,
11	55064	3	BOLT, Hex, M6 x 30, 8.8,
12	57111	5	WASHER,
13	54405	5	BOLT, Hex, M8 x 25, 8.8,

0.021(01) ENGINE





**Suggest:**

**If the above button click is invalid.**

**Please download this document**

**first, and then click the above link**

**to download the complete manual.**

**Thank you so much for reading**

WX145 TIER 3 WHEELED EXCAVATOR (6/07-)

0.021(01) ENGINE

Ref	Part Number	Qty	Description
1	2930137	1	CATALOGUE, SPARE PARTS, - ASSY

**<https://www.ebooklibonline.com>**

Hello dear friend!

Thank you very much for reading.

Enter the link into your browser.

The full manual is available for immediate download.

**<https://www.ebooklibonline.com>**