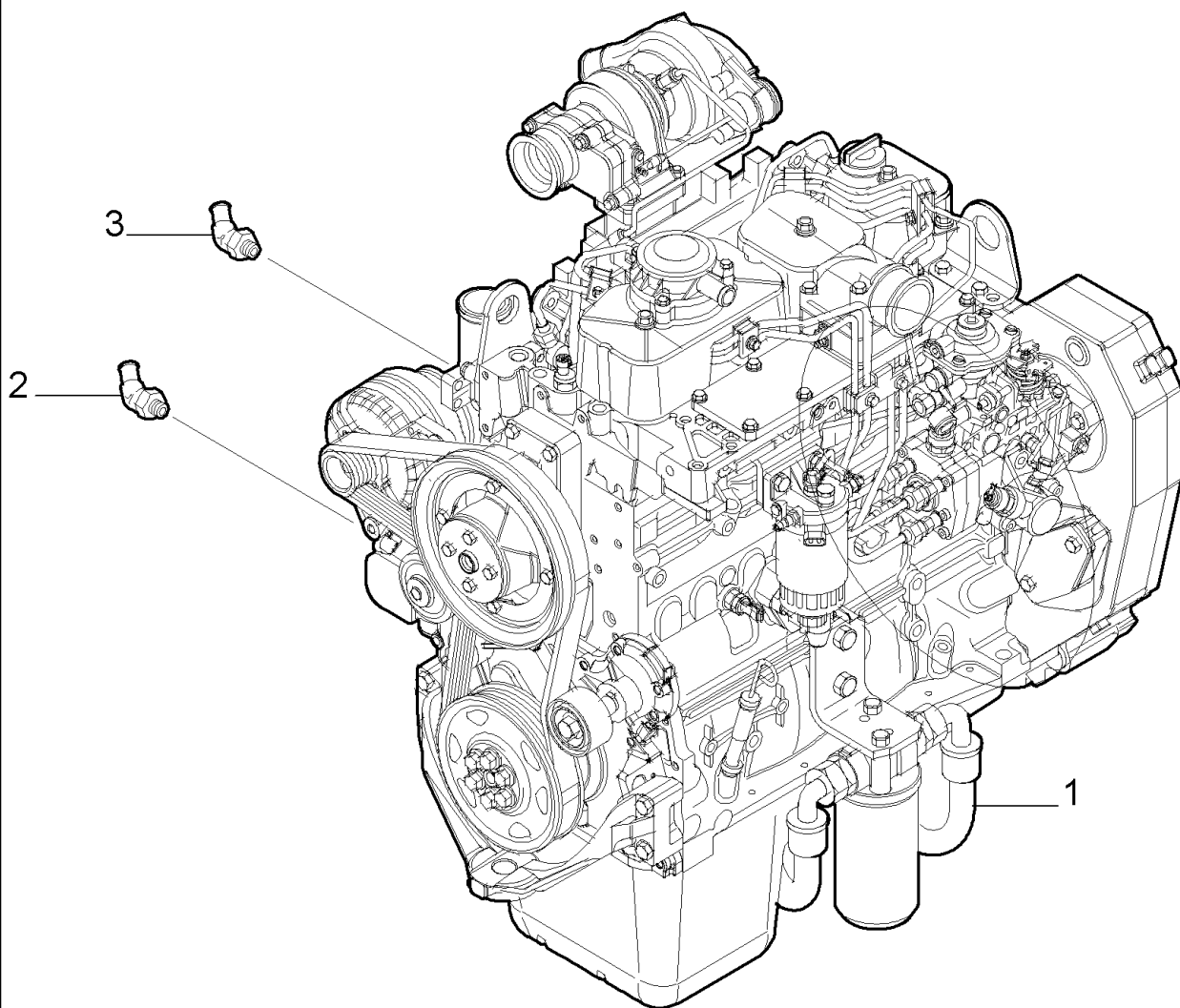




# PARTS CATALOGUE

TX140-45  
TURBO TELEHANDLER



## 0.02.1(01) ENGINE

Ref	Part Number	Qty	Description
1	504091267	1	ENGINE, - ASSY (F4GE0484G*D600)
2	76088006	1	CONNECTOR, HYD.,
3	76088005	1	CONNECTOR, HYD.,

**<https://www.ebooklibonline.com>**

Hello dear friend!

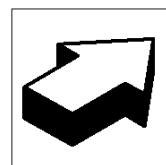
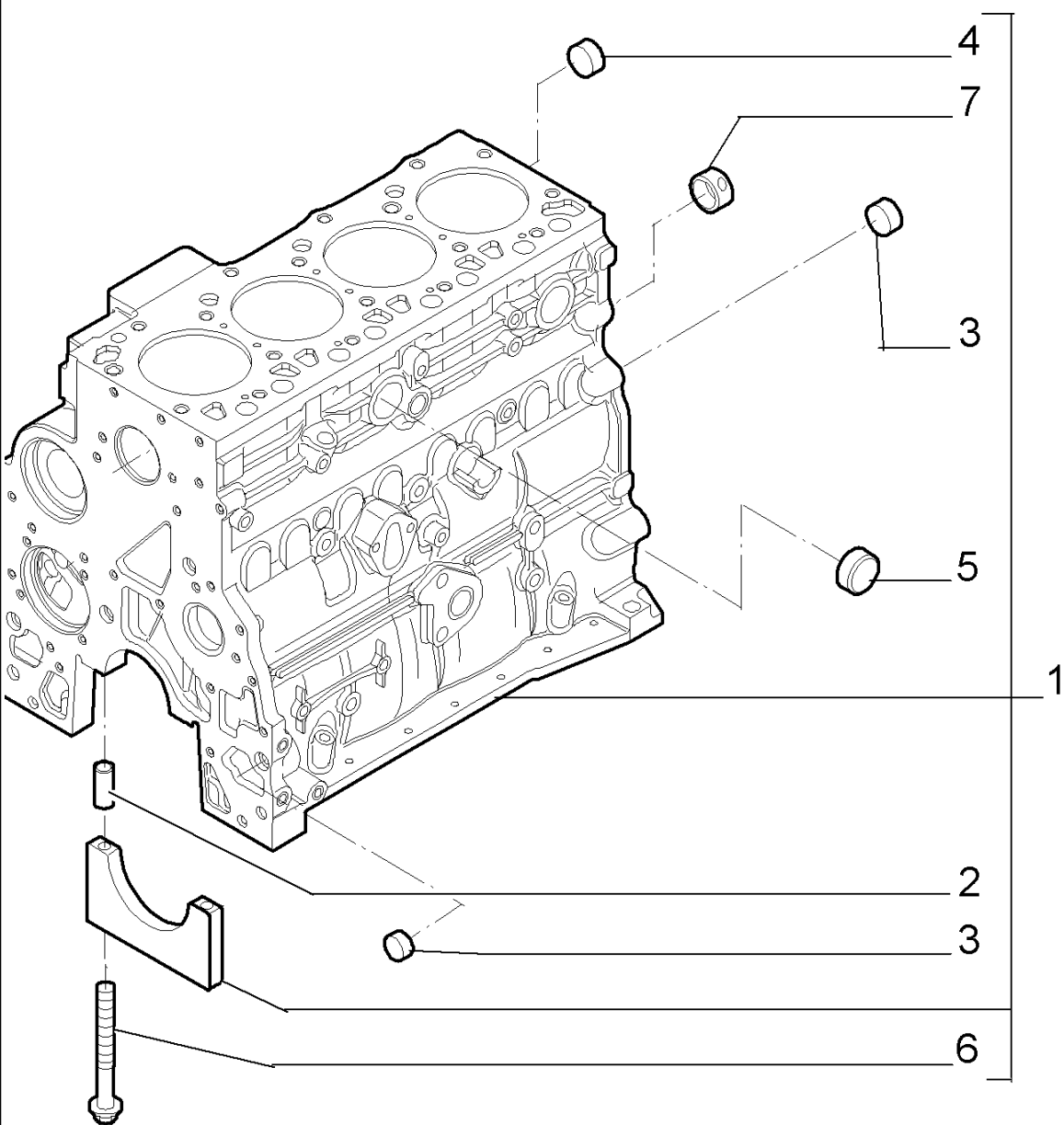
Thank you very much for reading.

Enter the link into your browser.

The full manual is available for immediate download.

**<https://www.ebooklibonline.com>**

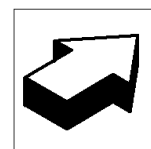
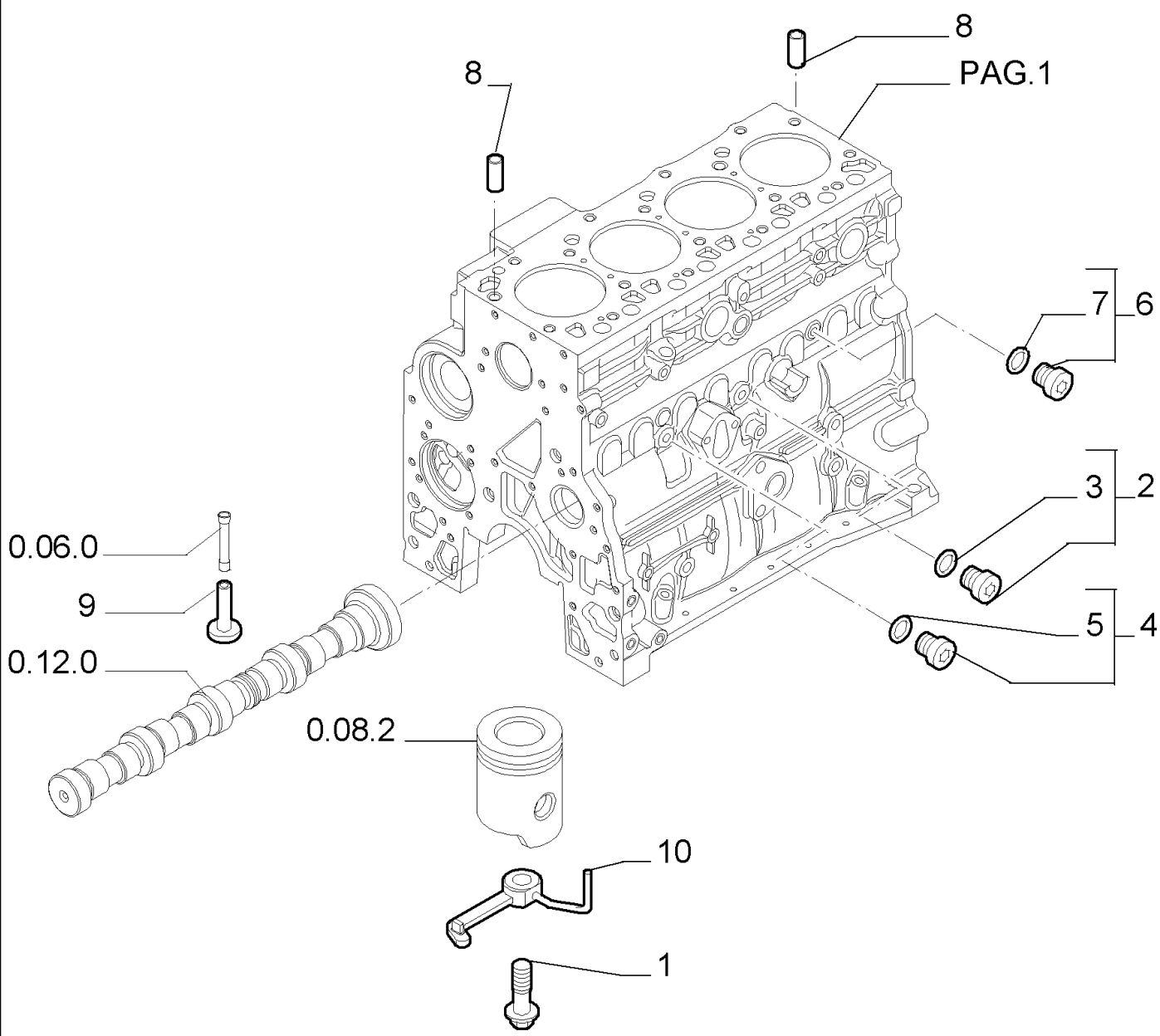
0.04.0(01) CRANKCASE



## 0.04.0(01) CRANKCASE

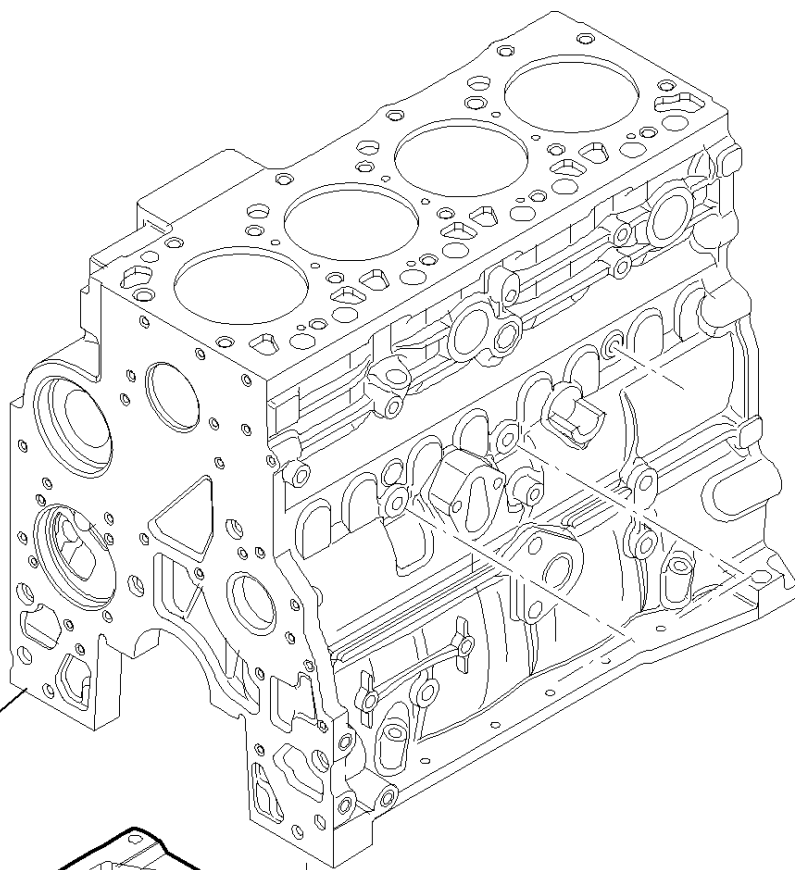
Ref	Part Number	Qty	Description
1	2830081	1	CYLINDER BLOCK, - ASSY
2	4899026	10	DOWEL,
3	4895039	3	PLUG,
4	4895038	4	PLUG,
5	4895228	2	PLUG,
6	4891353	10	SCREW, 12X120
7	4895040	2	BUSHING,

0.04.0(02) CRANKCASE



## 0.04.0(02) CRANKCASE

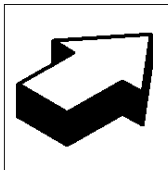
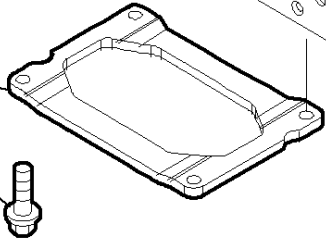
Ref	Part Number	Qty	Description
1	4894218	1	SCREW,
2	4895605	1	PLUG, 14X1.5 - ASSY
3	4899115	1	O-RING,
4	4899009	1	PLUG, 10X1.5 - ASSY
5	4899072	1	O-RING,
6	4895392	2	PLUG, 18X1.5 - ASSY
7	4895393	2	O-RING,
8	4895049	2	DOWEL,
9	4895180	8	TAPPET,
10	504047260	4	NOZZLE, LUB. OIL JET,



PAG.1

2

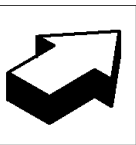
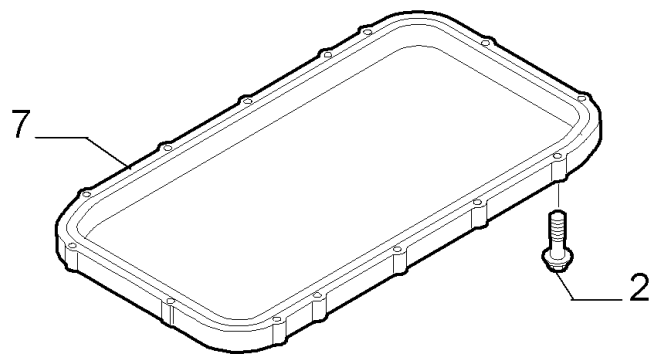
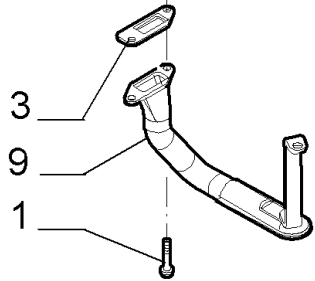
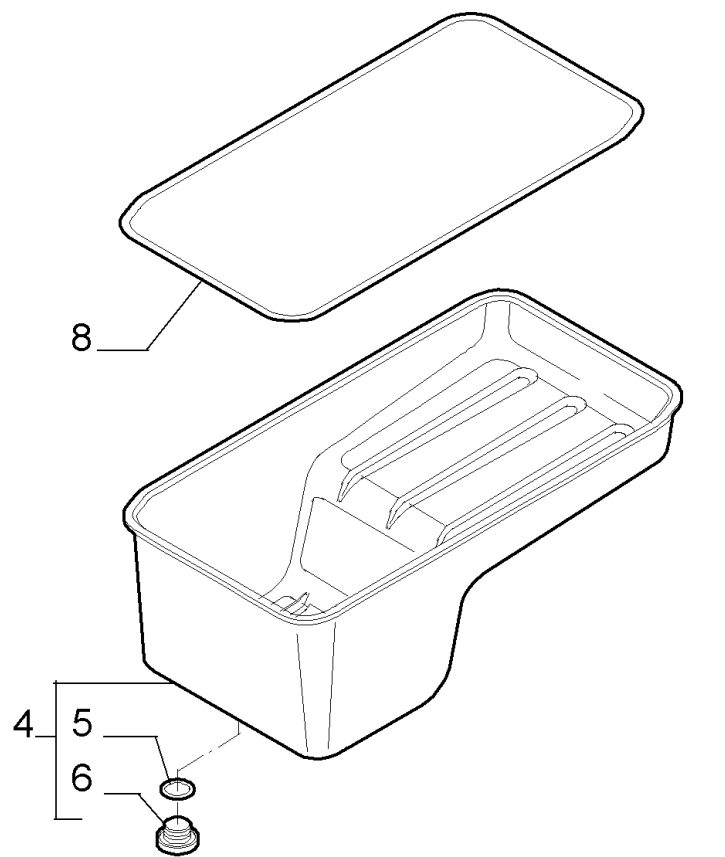
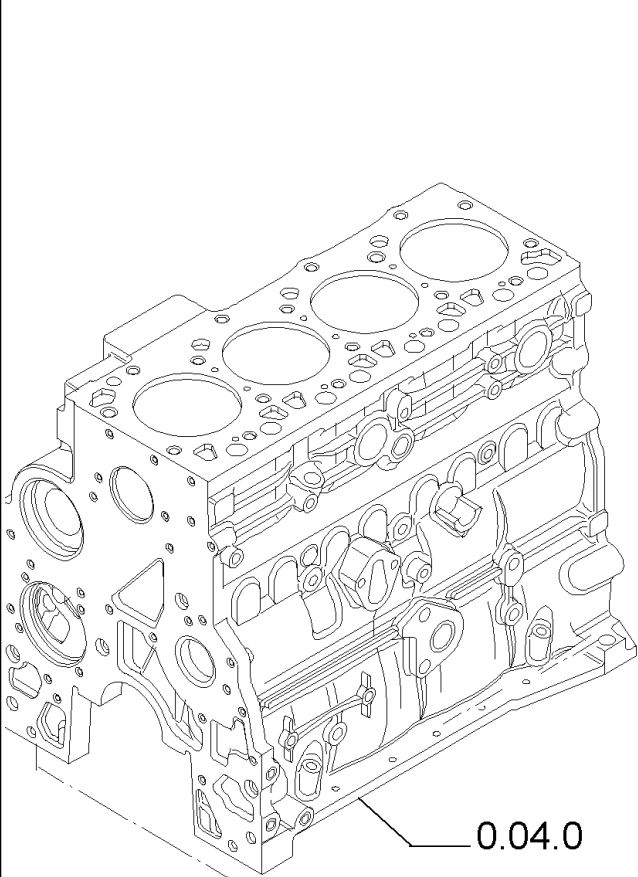
1



## 0.04.0(03) CRANKCASE

Ref	Part Number	Qty	Description
1	4899032	4	SCREW, Hex Flg, M10 x 1.5 x 25, 10x25
2	504076109	1	STIFFENER,

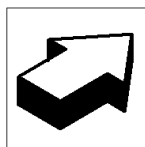
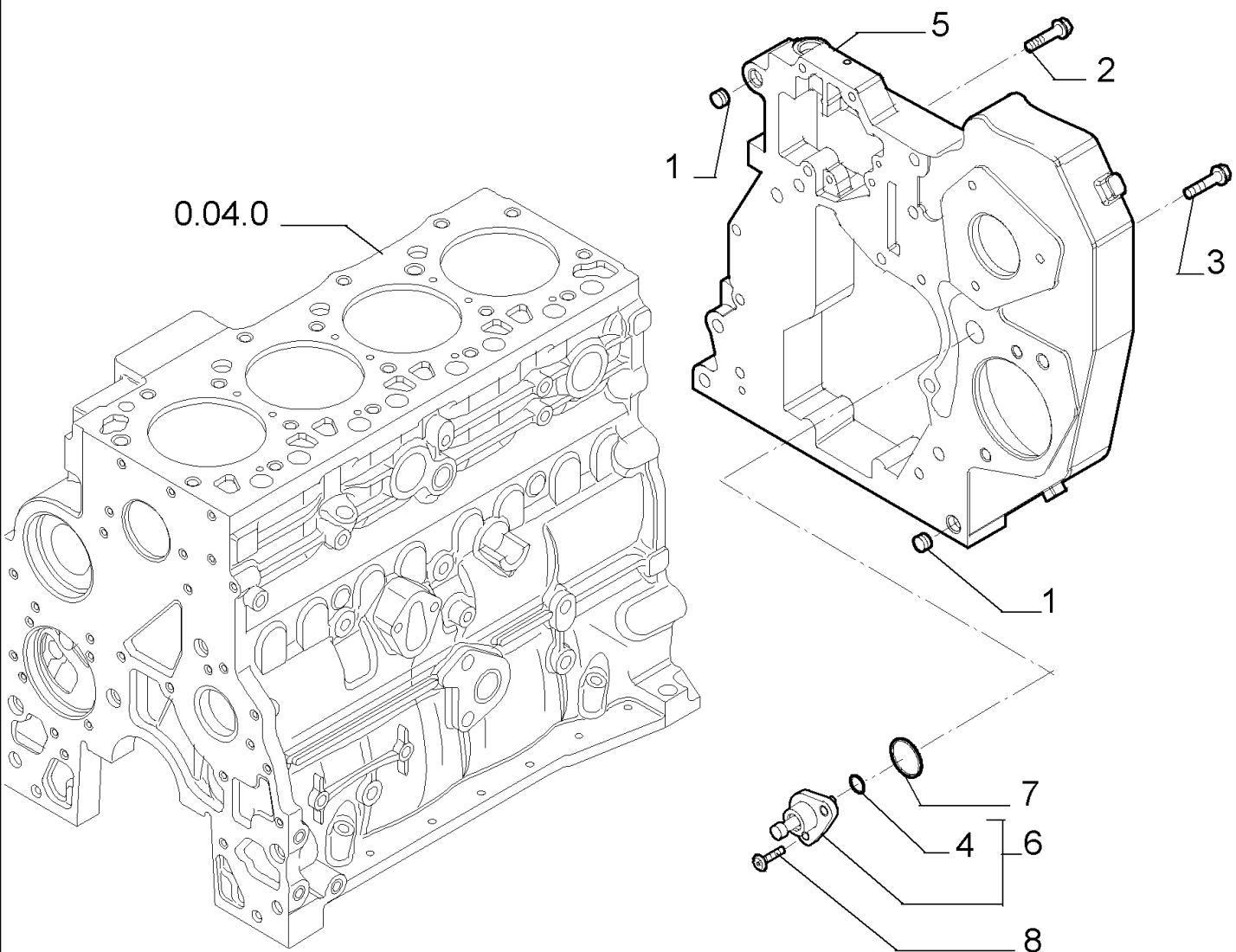
0.04.2(01) ENGINE OIL SUMP



## 0.04.2(01) ENGINE OIL SUMP

Ref	Part Number	Qty	Description
1	16586324	2	SCREW, 8X20
2	4899091	14	SCREW, Hex Flg, M8 x 1.25 x 40,
3	4898301	1	GASKET,
4	504114348	1	PAN, ENGINE OIL, - ASSY
5	4895584	1	GASKET, 23.4X2.6
6	4894139	1	PLUG, 22X1.5
7	4897876	1	SPACER,
8	4897877	1	GASKET,
9	4891791	1	

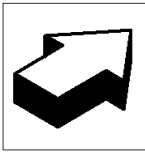
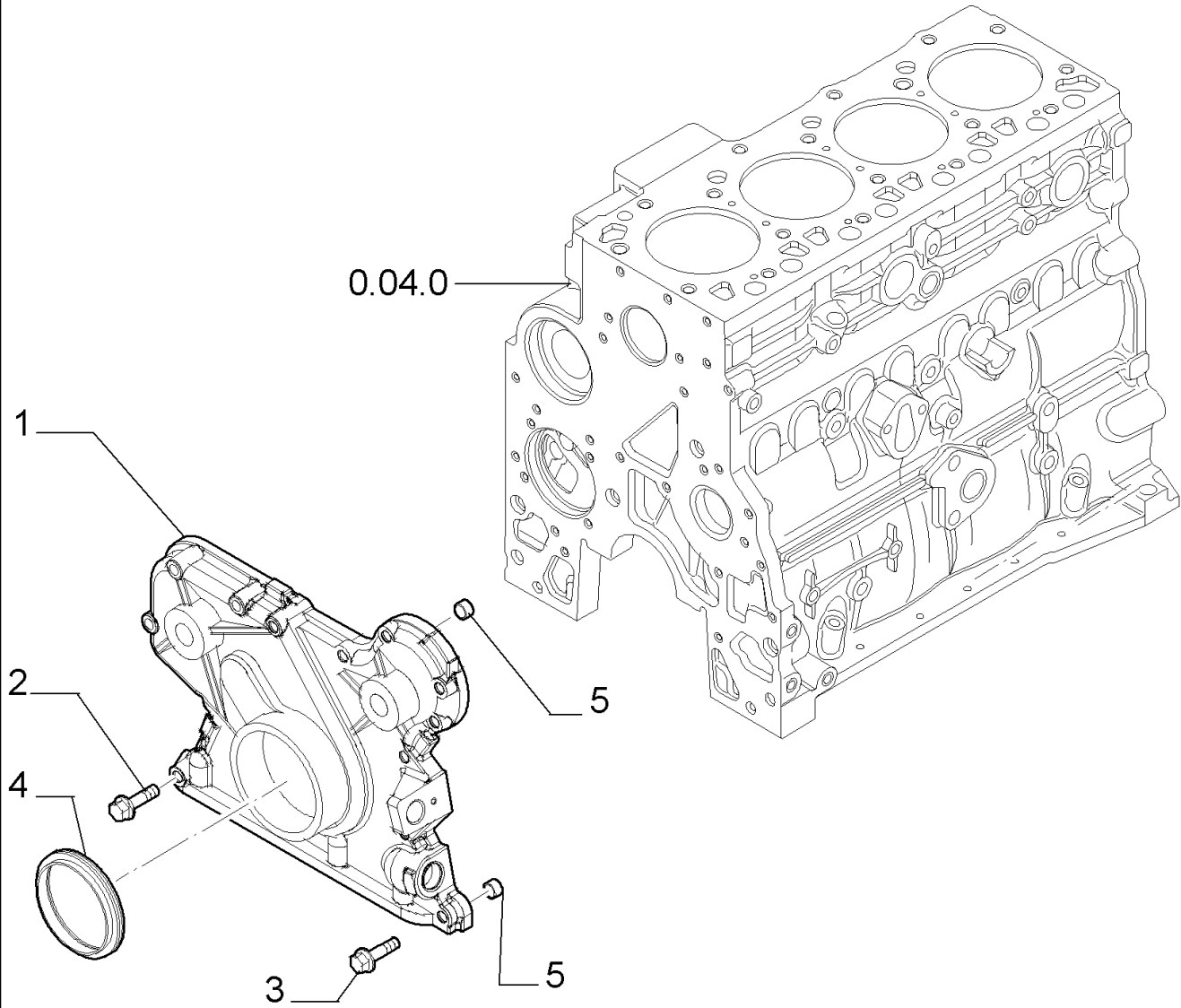
0.04.3(01) CRANKCASE COVERS



## 0.04.3(01) CRANKCASE COVERS

Ref	Part Number	Qty	Description
1	4899026	2	DOWEL,
2	4899091	4	SCREW, Hex Flg, M8 x 1.25 x 40,
3	4899093	5	SCREW, Hex Flg, M10 x 1.5 x 30,
3	4899073	2	SCREW, Hex Flg, M12 x 1.75 x 30,
4	17278080	1	O-RING,
5	504097906	1	COVER,
6	504074001	1	COVER, - ASSY
7	17278780	1	O-RING,
8	4895355	2	SCREW, 5X17

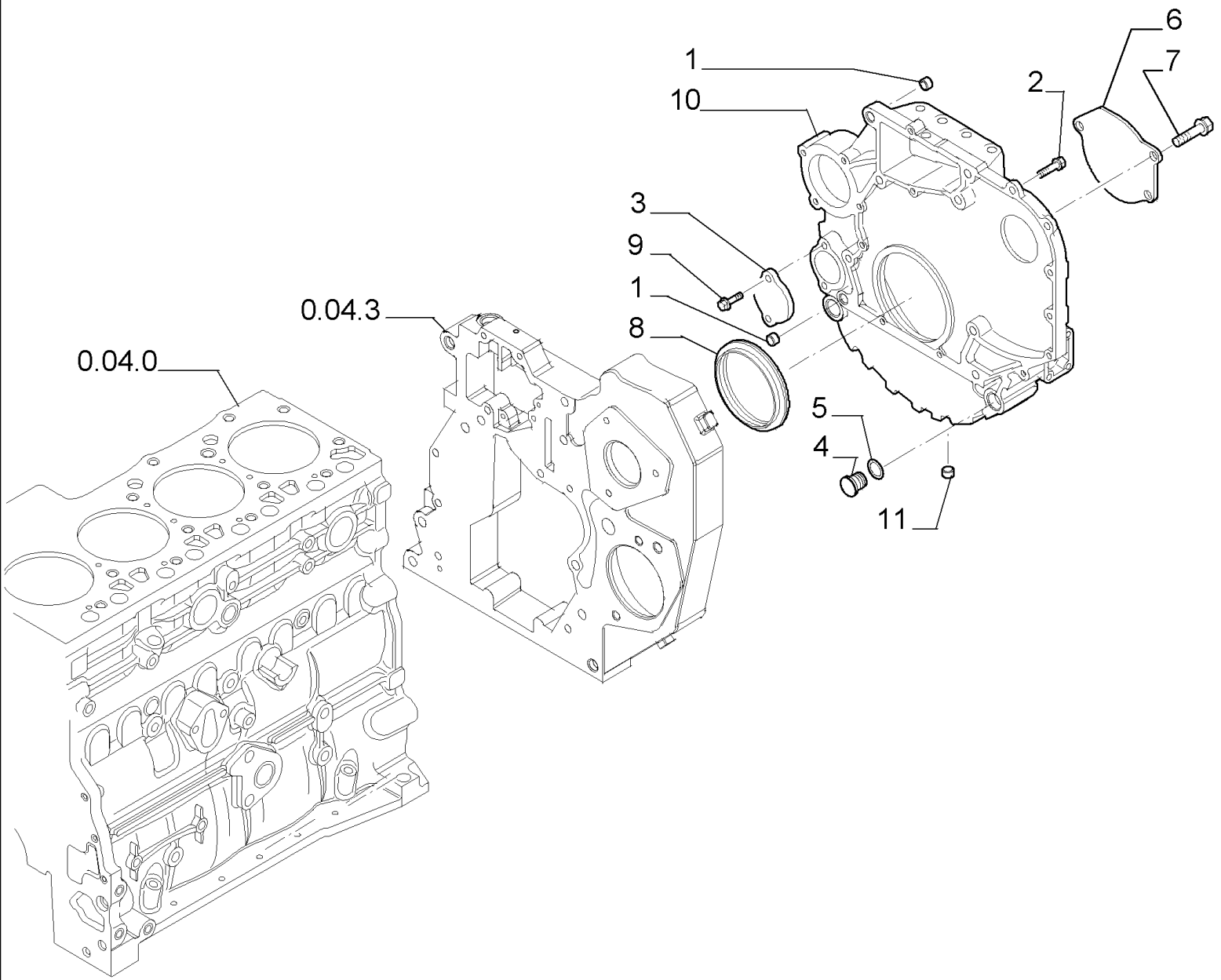
0.04.3(02) CRANKCASE COVERS



## 0.04.3(02) CRANKCASE COVERS

Ref	Part Number	Qty	Description
1	4897026	1	COVER, - FRONT
2	4899078	5	SCREW, Hex Flg, M8 x 1.25 x 45,
3	4899063	8	SCREW, Hex Flg, M8 x 1.25 x 30,
4	4890832	1	GASKET,
5	4891209	2	DOWEL,

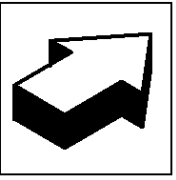
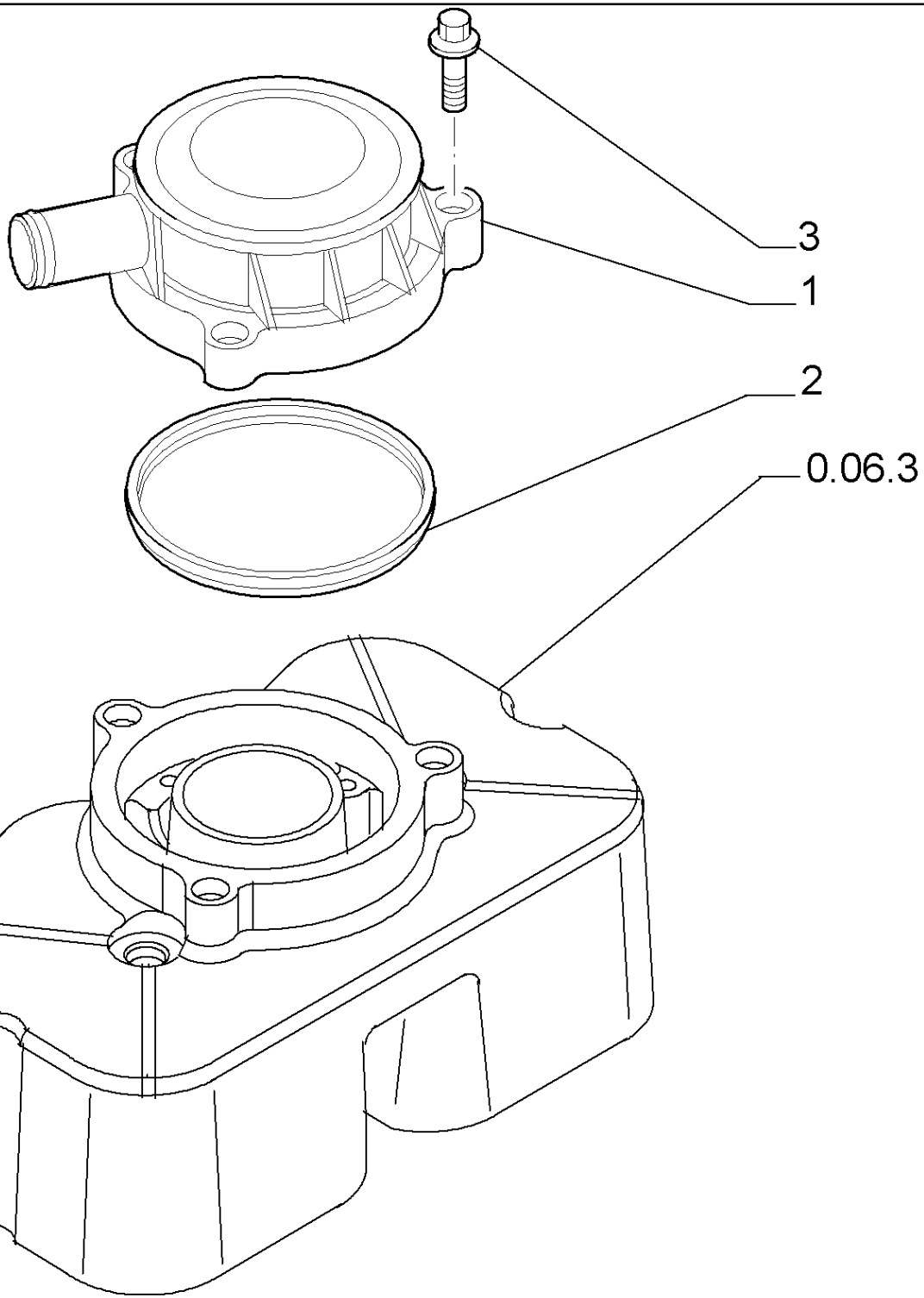
0.04.3(03) CRANKCASE COVERS



## 0.04.3(03) CRANKCASE COVERS

Ref	Part Number	Qty	Description
1	4899026	2	DOWEL,
2	4899109	3	SCREW, Hex, M10 x 1.5 x 80,
2	4892915	7	SCREW, M10x1.5x40
2	4899076	5	SCREW, Hex Flg, M12 x 1.75 x 80, M12x80
2	4899074	2	SCREW, Hex Flg, M12 x 1.75 x 120,
2	4899143	1	SCREW, Hex Flg, M10 x 1.5 x 140,
2	504080094	2	SCREW, M10x35
3	4895358	1	COVER,
4	4895378	2	PLUG,
5	4895379	2	O-RING, M21.82 ID x 3.53 Thk
6	504030423	1	COVER,
7	16586324	3	SCREW,
8	4890833	1	GASKET,
9	4899103	2	SCREW, Hex Flg, M8 x 1.25 x 12, M8x17
10	504069775	1	COVER,
11	4895079	1	PLUG,

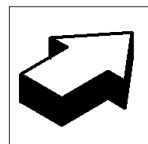
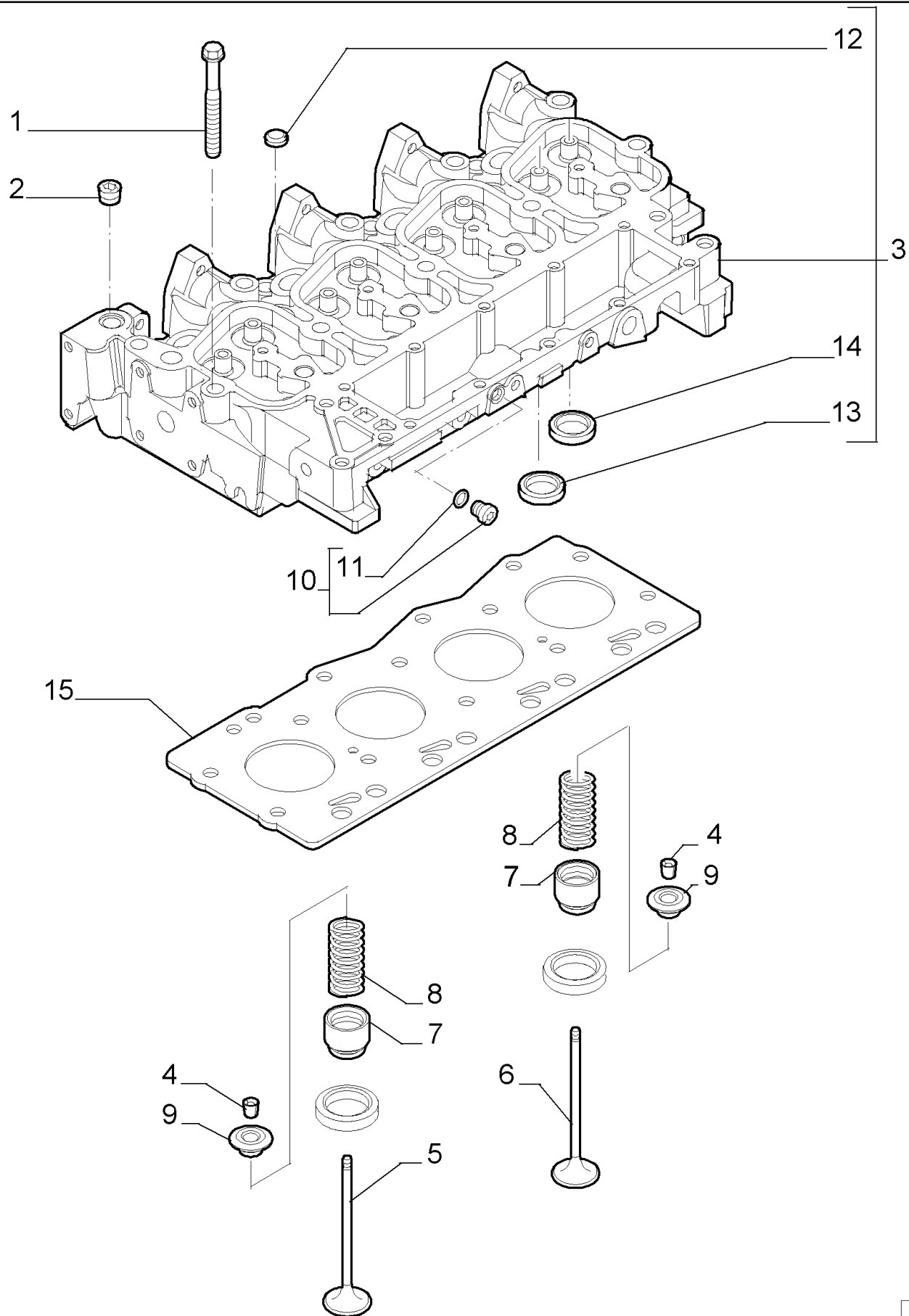
0.04.5(01) BREATHER - ENGINE



## 0.04.5(01) BREATHER - ENGINE

Ref	Part Number	Qty	Description
1	504069558	1	BREATHER,
2	500315795	1	GASKET,
3	4899110	3	SCREW, Hex Flg, M6 x 1 x 20,

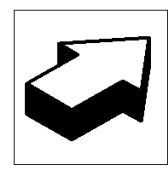
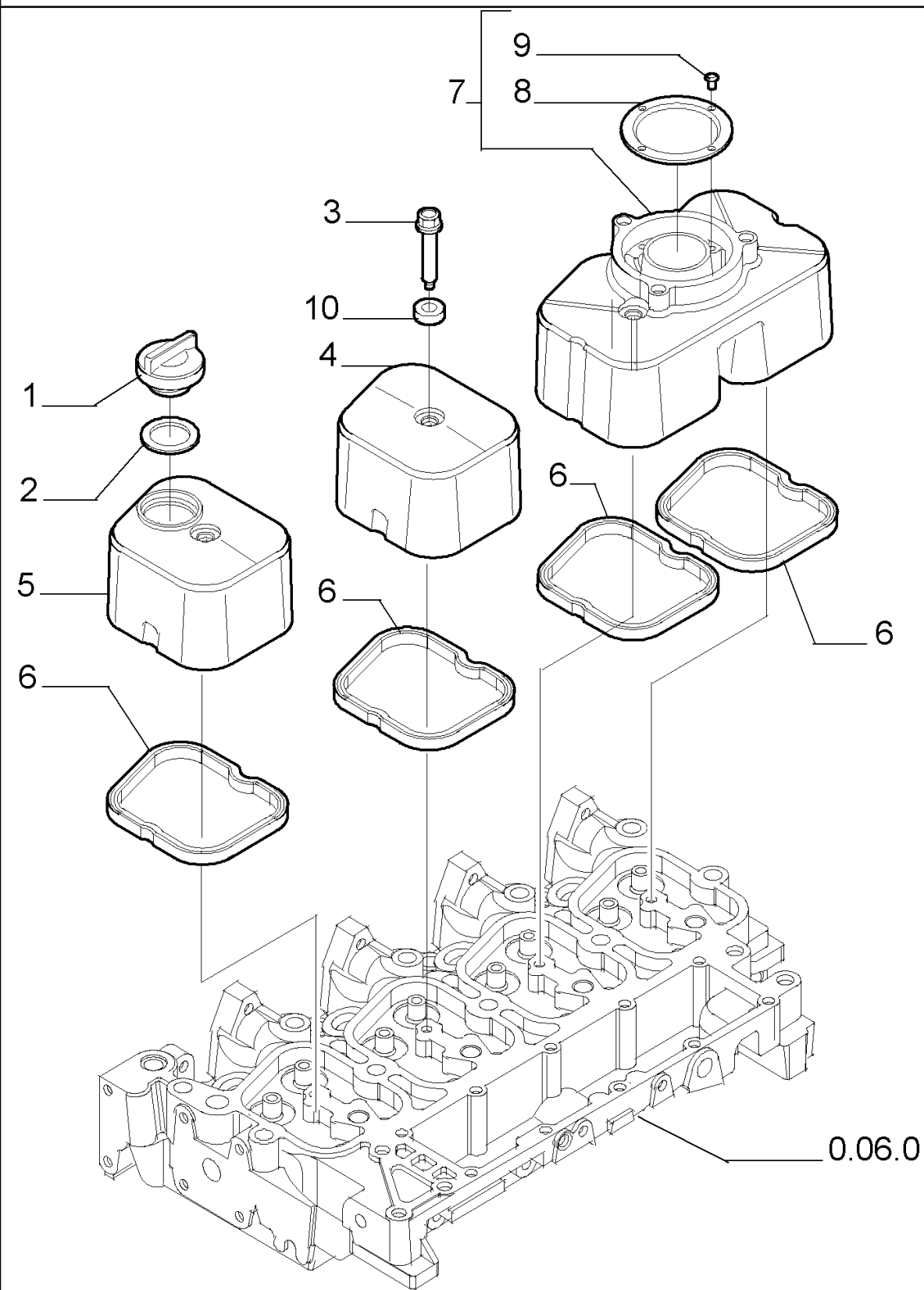
0.06.0(01) CYLINDER HEAD



## 0.06.0(01) CYLINDER HEAD

Ref	Part Number	Qty	Description
1	4892861	4	SCREW,
1	4892859	10	SCREW,
2	4895078	5	PLUG,
3	4895790	1	CYLINDER HEAD, - ASSY
4	4895183	16	COTTER, ROCKER ARM,
5	4895188	4	VALVE, ENG EXHAUST, STD,
6	4895187	4	VALVE, ENGINE, INLET, STD,
7	4895347	8	CUP,
8	4895215	8	SPRING,
9	4895184	8	CUP,
10	4899009	1	PLUG, 10X1.5 - ASSY
11	4899072	1	O-RING,
12	4895179	3	PLUG,
13	4897178	4	VALVE SEAT, - INTAKE
14	4897179	4	VALVE SEAT, - EXHAUST
15	2830919	1	GASKET, CYLINDER HEAD, SP=1.25
15	2830920	1	GASKET, SP=1.15

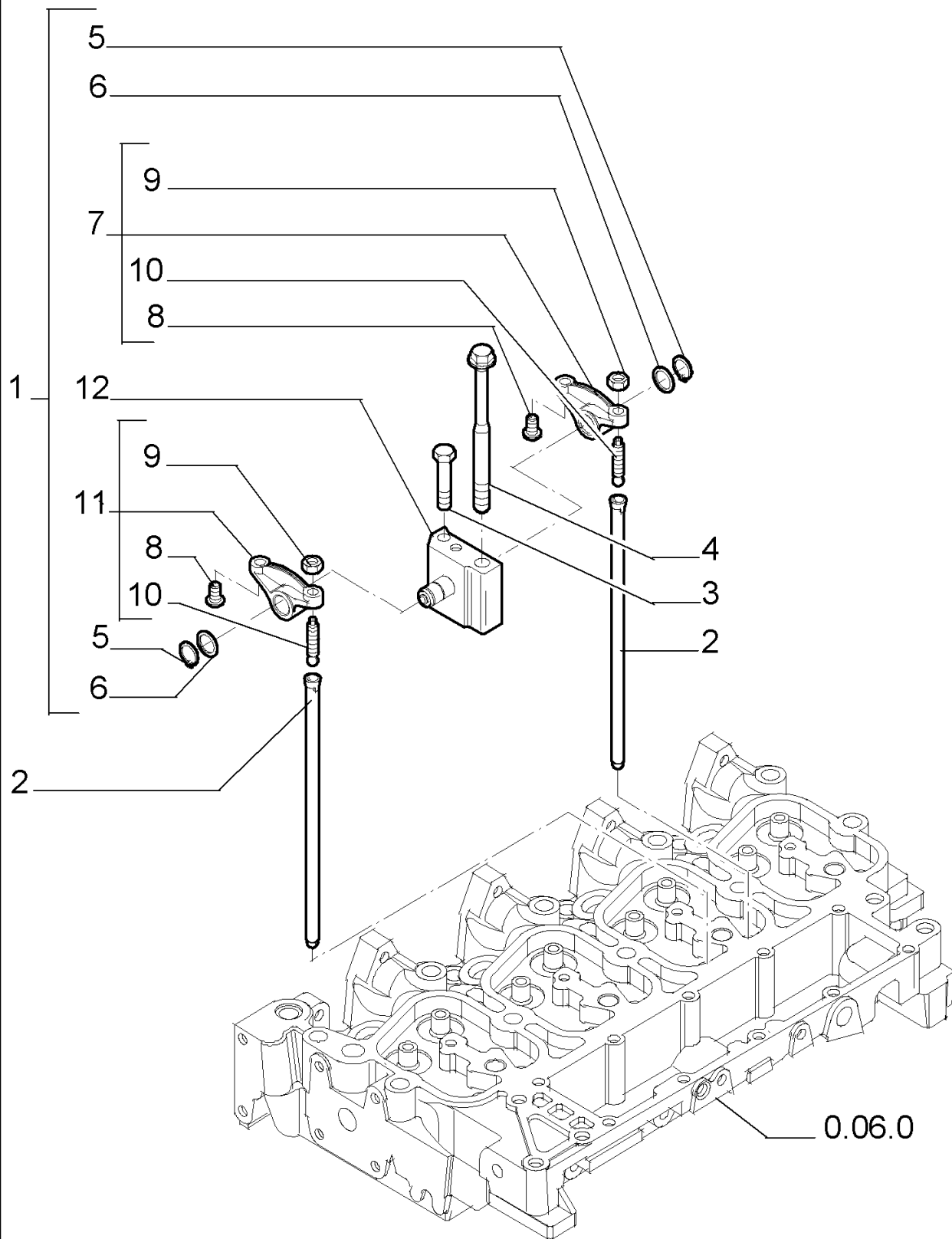
0.06.3(01) CYLINDER HEAD COVERS



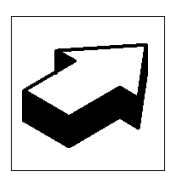
## 0.06.3(01) CYLINDER HEAD COVERS

Ref	Part Number	Qty	Description
1	4895202	1	CAP, INTRODUCTION,
2	4895296	1	GASKET,
3	4895214	4	SCREW,
4	504065040	1	COVER,
5	504065039	1	
6	504053522	4	GASKET,
7	2830784	1	COVER, - ASSY
8	2830775	1	BAFFLE,
9	16784504	4	SCREW,
10	4895360	4	BUSHING,

0.06.6(01) ROCKER SHAFT

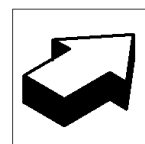
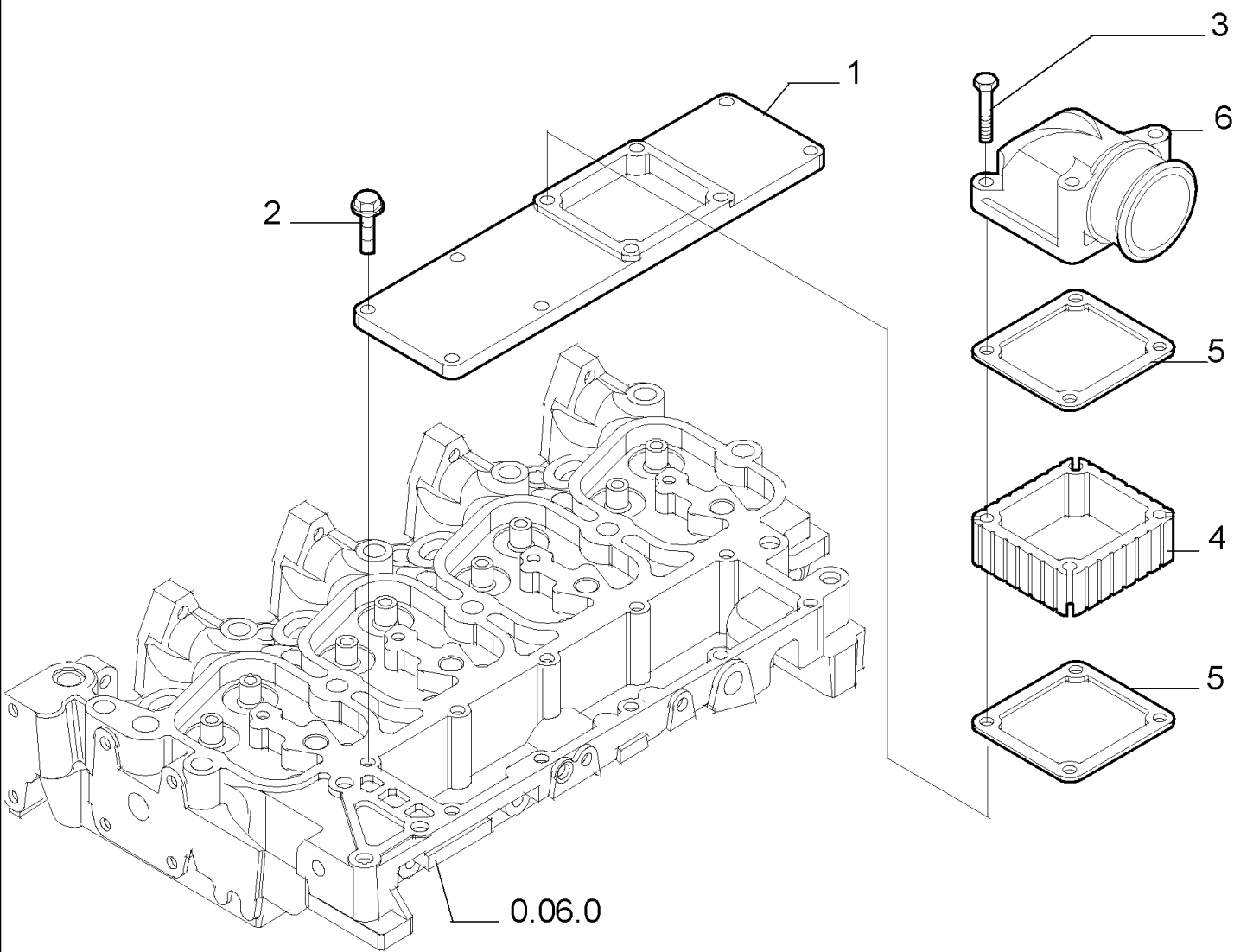


0.06.0



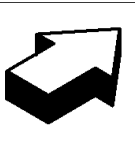
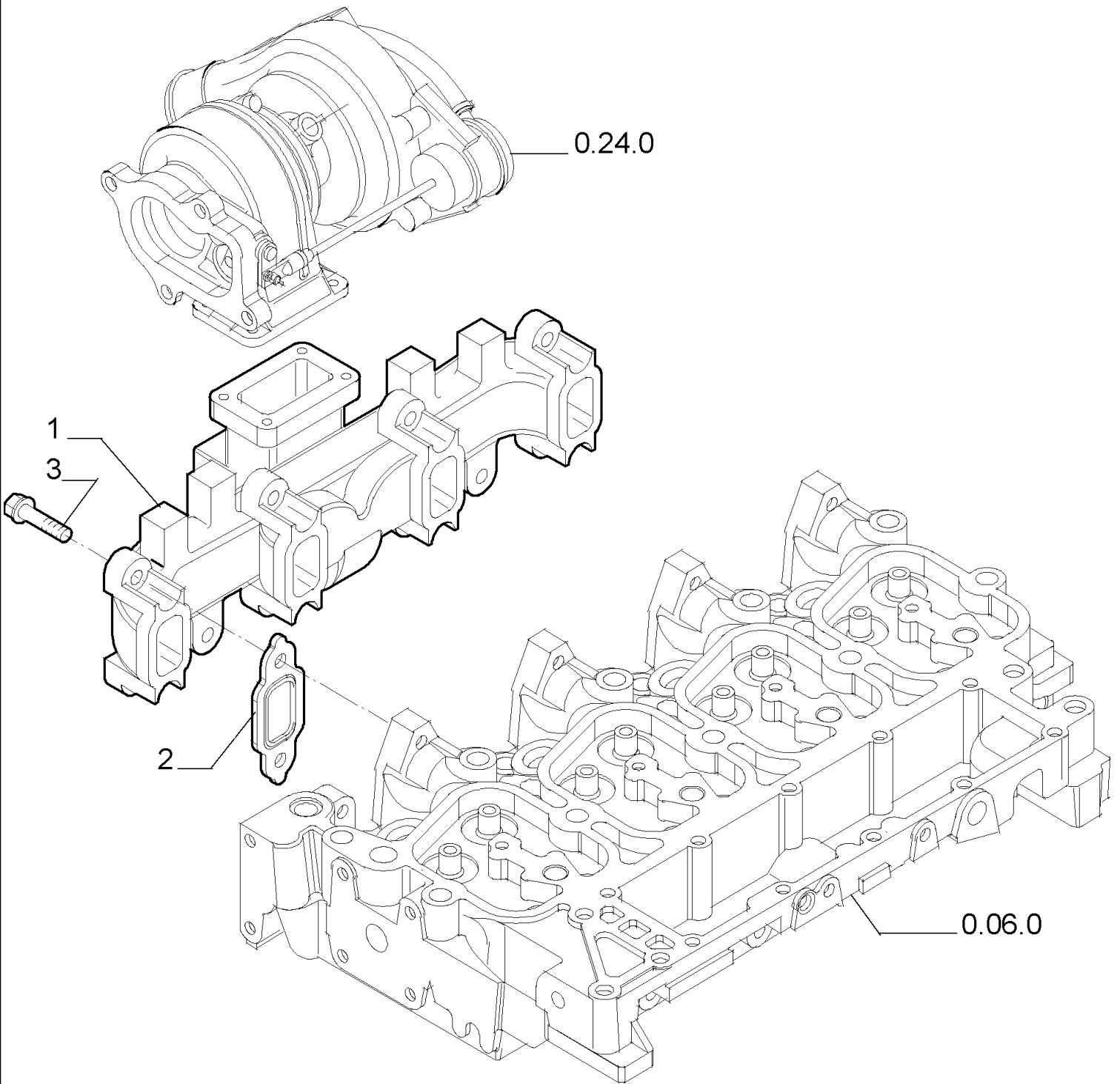
## 0.06.6(01) ROCKER SHAFT

Ref	Part Number	Qty	Description
1	4895195	4	ROCKER ARM, - ASSY
2	4895361	8	ROD, PUSH,
3	504067723	4	SCREW,
4	4892860	4	SCREW,
5	4895363	2	RING,
6	4895364	2	WASHER,
7	4895196	1	ROCKER ARM, - ASSY
8	4895365	2	SPACER,
9	4895198	2	NUT,
10	4895199	2	SCREW,
11	4895200	1	ROCKER ARM, - ASSY
12	4895204	1	SUPPORT,



Ref	Part Number	Qty	Description
1	504064865	1	COVER,
2	4899039	6	SCREW, Hex Flg, M8 x 1.25 x 25,
3	16598624	2	SCREW, Hex Flg, M8 x 1.25 x 140, 8X140
3	16598224	2	SCREW, 8X90
4	4895648	1	SPACER,
5	4899921	2	GASKET,
6	504027034	1	ELBOW,

0.07.7(01) EXHAUST MANIFOLD



## 0.07.7(01) EXHAUST MANIFOLD

Ref	Part Number	Qty	Description
1	504035083	1	MANIFOLD, EXHAUST,
2	504081248	4	GASKET,
3	504085705	8	SCREW,



**Suggest:**

**If the above button click is invalid.**

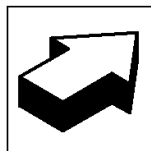
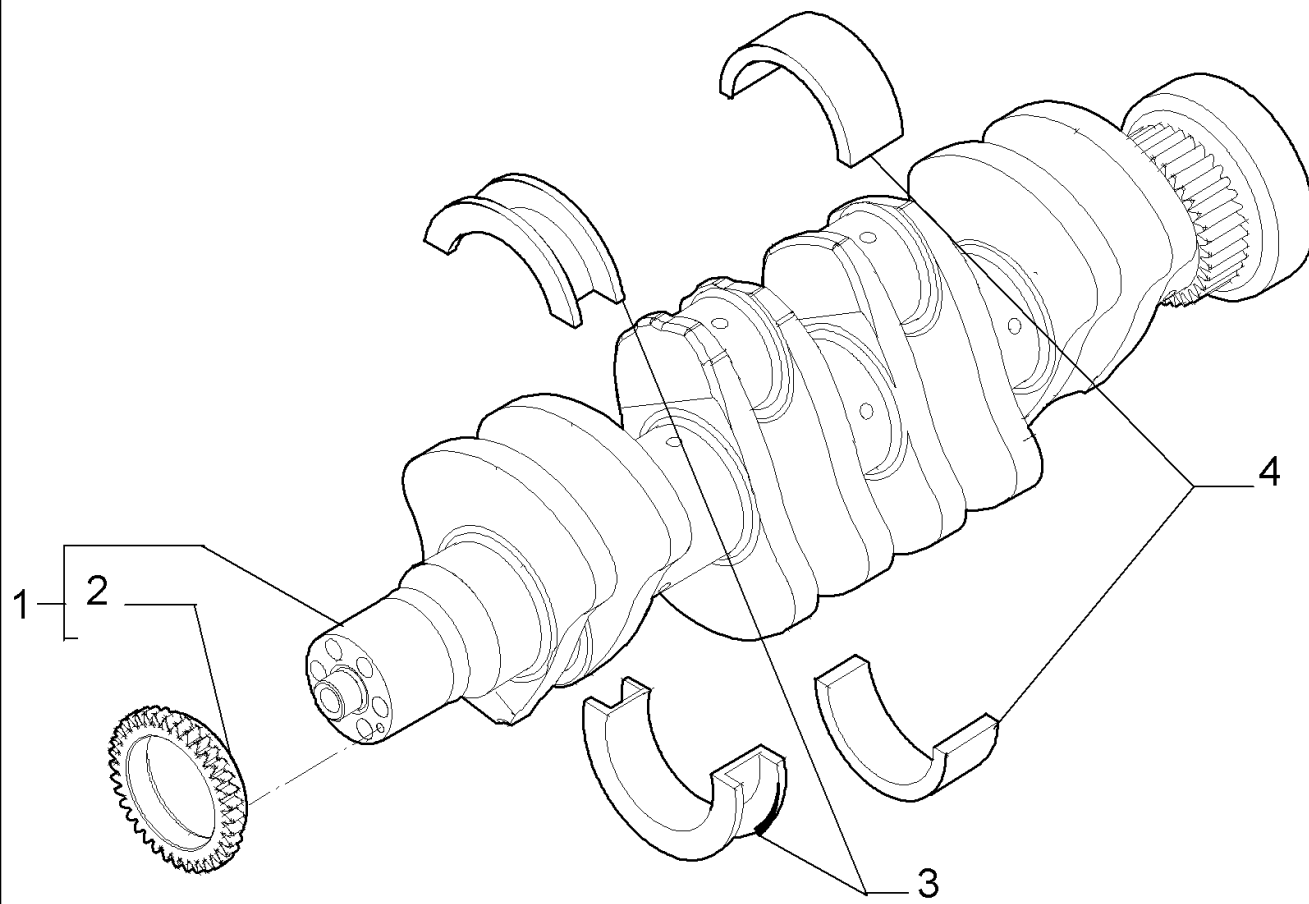
**Please download this document**

**first, and then click the above link**

**to download the complete manual.**

**Thank you so much for reading**

0.08.0(01) CRANKSHAFT



**<https://www.ebooklibonline.com>**

Hello dear friend!

Thank you very much for reading.

Enter the link into your browser.

The full manual is available for immediate download.

**<https://www.ebooklibonline.com>**